



US00D893789S

(12) **United States Design Patent**
Ng et al.

(10) **Patent No.:** **US D893,789 S**

(45) **Date of Patent:** **** Aug. 18, 2020**

(54) **LAMP**

D690,861 S * 10/2013 Huang D26/65
D814,091 S * 3/2018 Lowe D26/65

(71) Applicant: **Koncept Technologies, Inc.**, Monrovia,
CA (US)

* cited by examiner

(72) Inventors: **Kenneth Ng**, Monrovia, CA (US);
Edmund Ng, Monrovia, CA (US)

Primary Examiner — Brian N. Vinson

(74) *Attorney, Agent, or Firm* — Steins & Associates, P.C.

(73) Assignee: **KONCEPT TECHNOLOGIES, INC.**,
Monrovia, CA (US)

(57) **CLAIM**

What is claimed is the ornamental design for a lamp, as shown.

(**) Term: **15 Years**

(21) Appl. No.: **29/679,695**

DESCRIPTION

(22) Filed: **Feb. 8, 2019**

(51) **LOC (12) Cl.** **26-03**

(52) **U.S. Cl.**
USPC **D26/65**

(58) **Field of Classification Search**
USPC D26/61-65, 107, 108
CPC F21Y 2103/003; F21V 21/26; F21V 21/30;
F21V 21/14; F21V 21/28
See application file for complete search history.

FIG. 1 is a perspective view of the lamp;
FIG. 2 is a front view of the lamp;
FIG. 3 is a back view of the lamp;
FIG. 4 is a left side view of the lamp;
FIG. 5 is a right side view of the lamp;
FIG. 6 is a top view of the lamp;
FIG. 7 is a bottom view of the lamp;
FIG. 8 is a perspective view of the lamp; and,
FIG. 9 is a perspective view of the lamp.

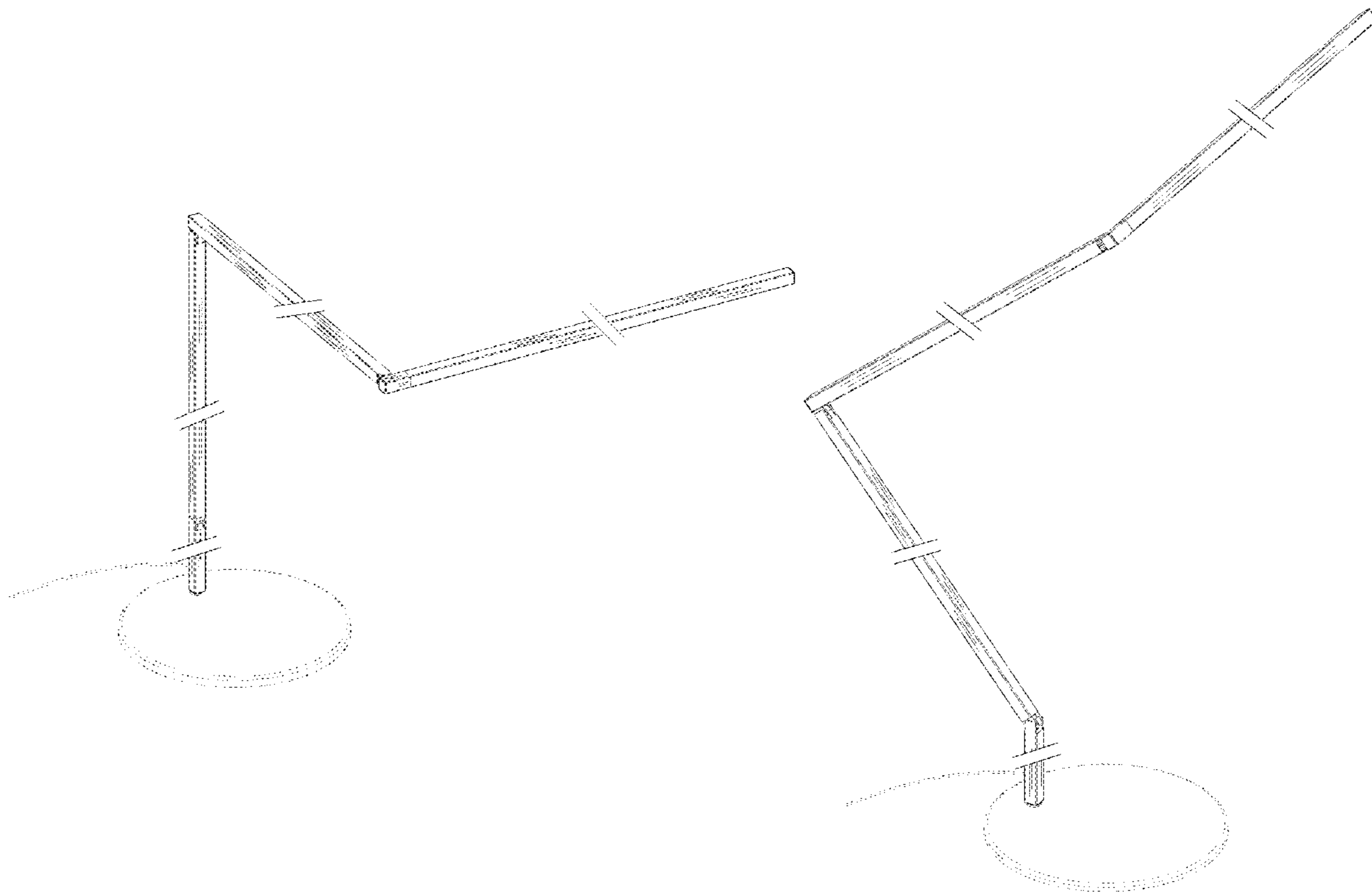
The portions of the lamp shown in broken lines form no part of the claimed design. The lamp is shown with symbolic breaks in its length. The appearance of any portion of the article between the break lines form no part of the claimed design.

(56) **References Cited**

U.S. PATENT DOCUMENTS

D523,164 S * 6/2006 Ng D26/65
D635,707 S * 4/2011 Ng D26/65

1 Claim, 9 Drawing Sheets



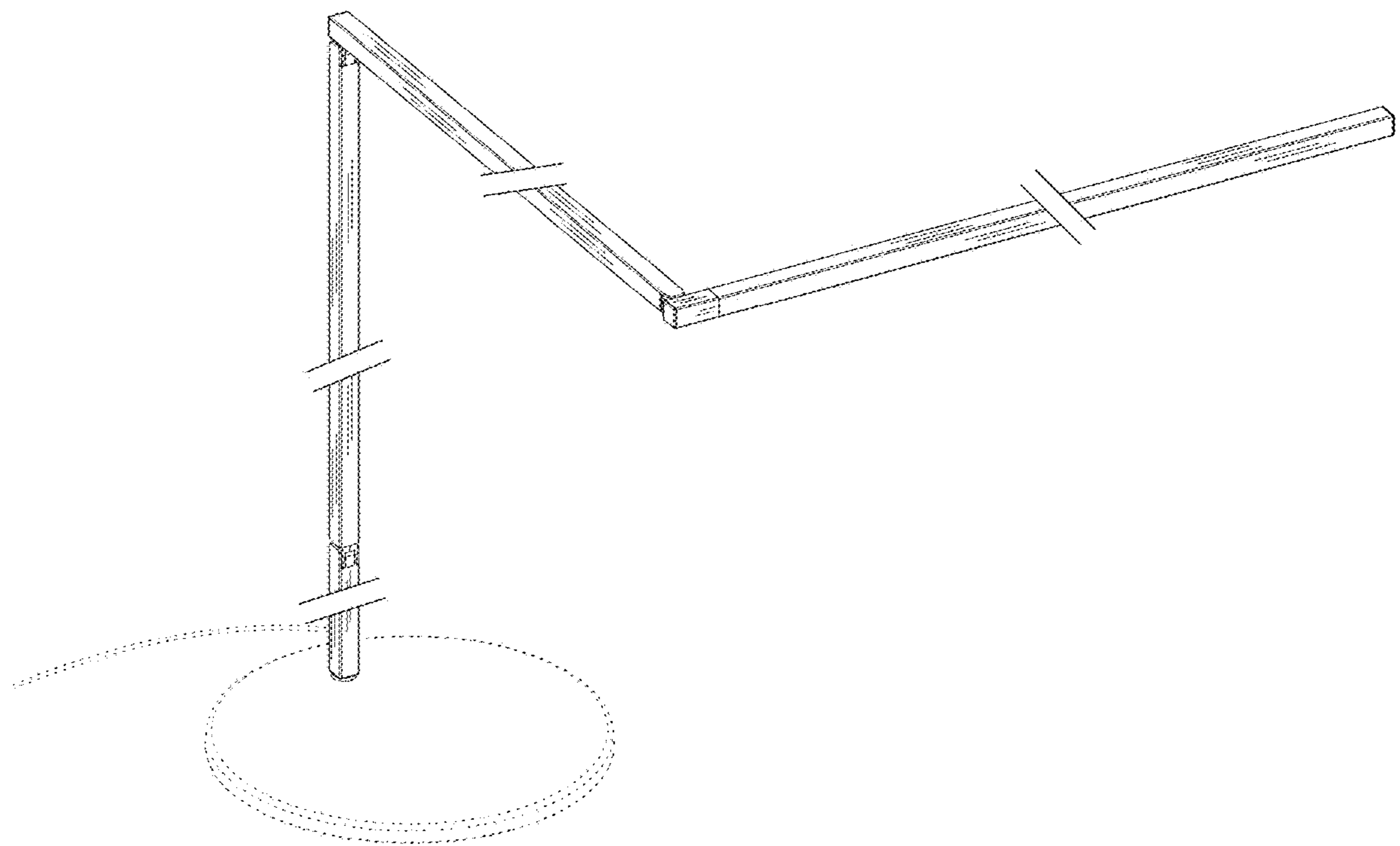


FIG. 1

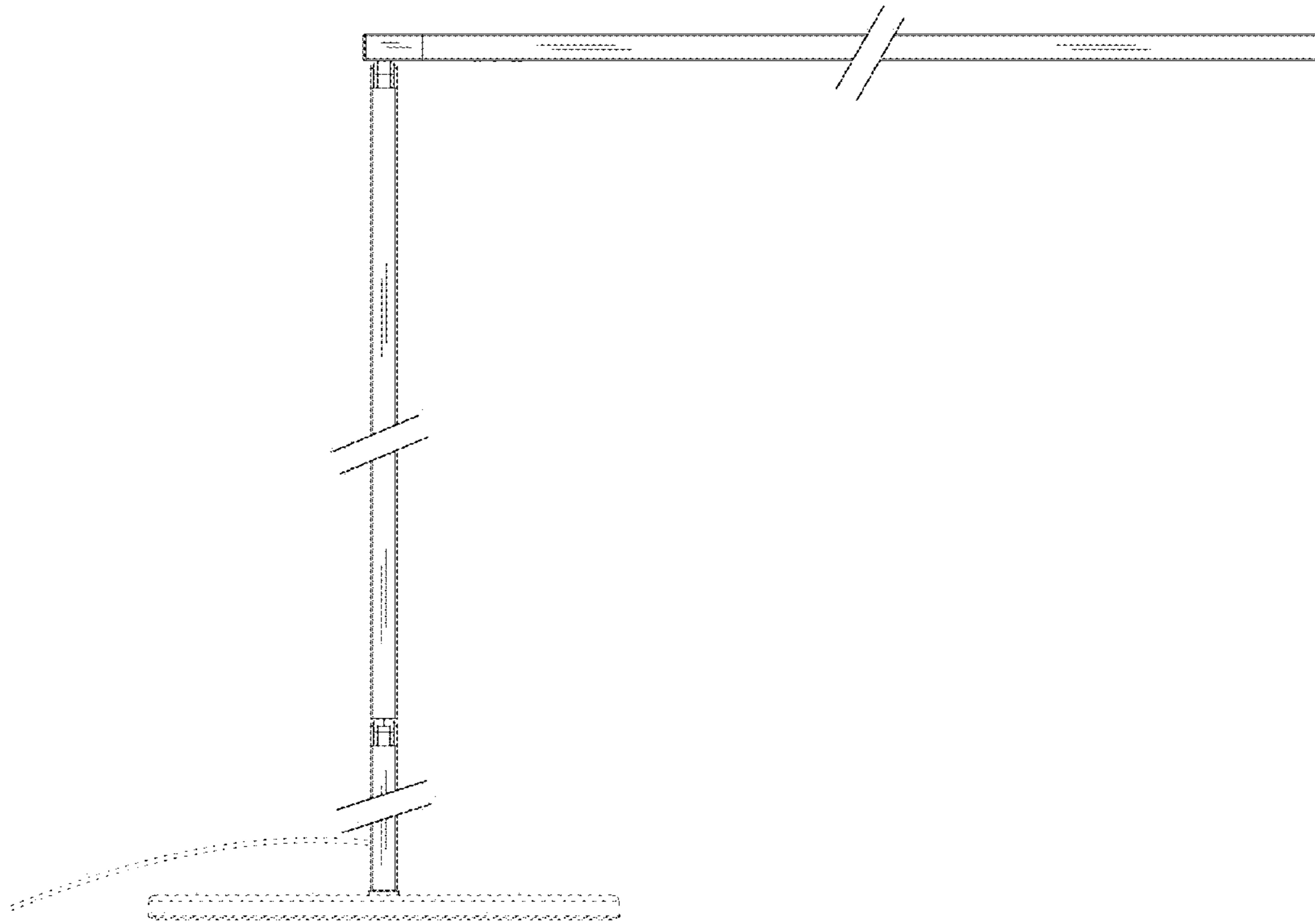


FIG. 2

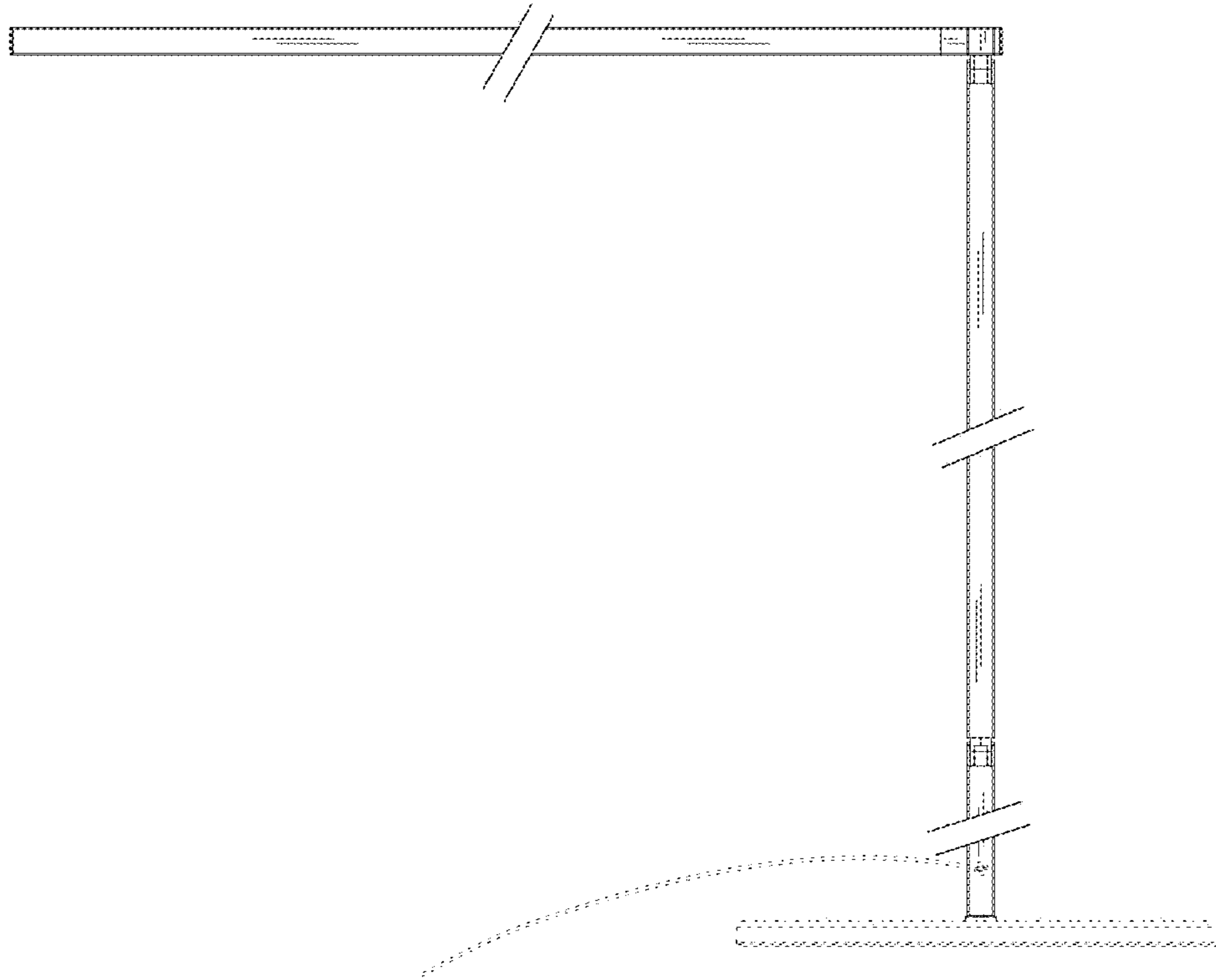


FIG. 3

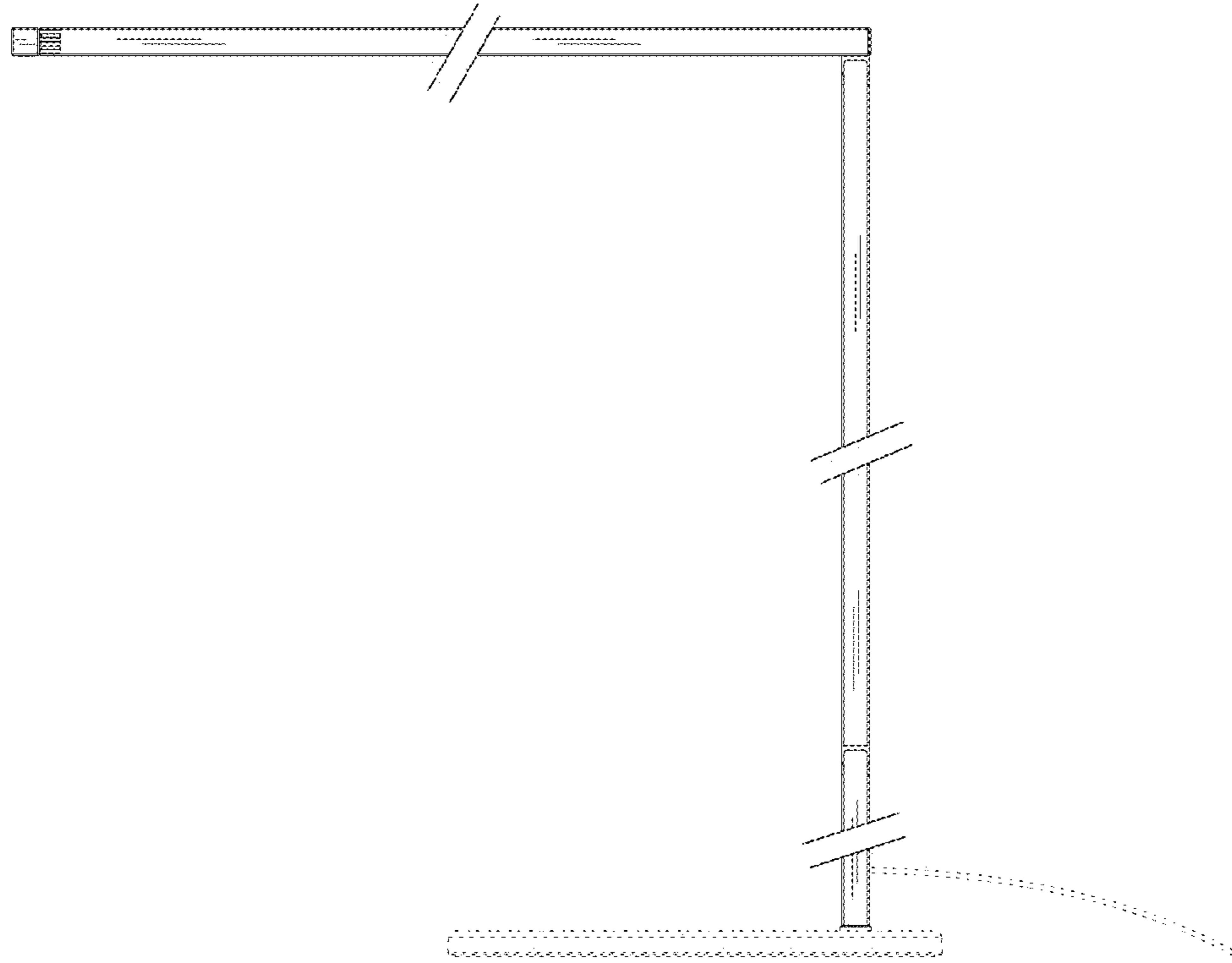


FIG. 4

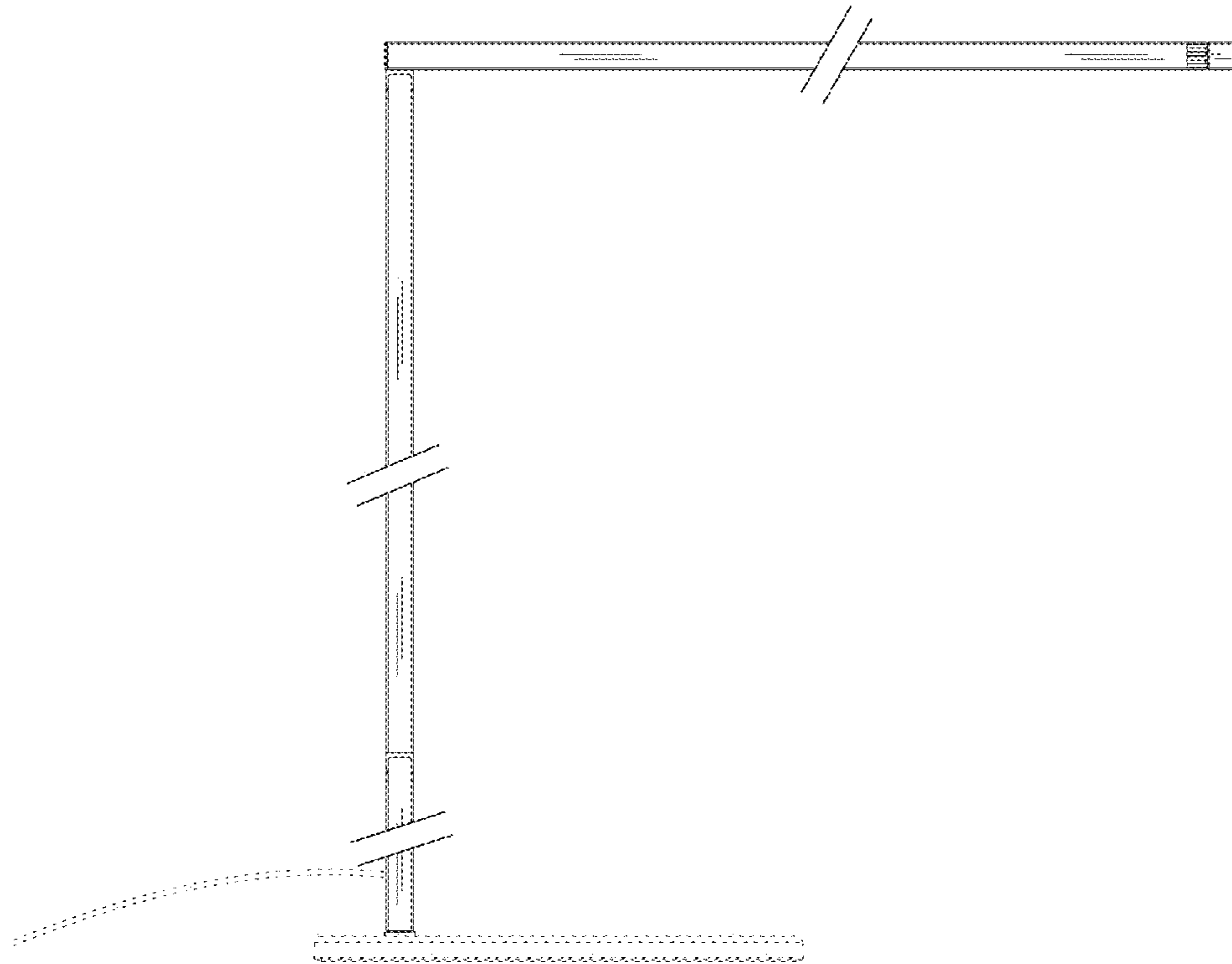


FIG. 5

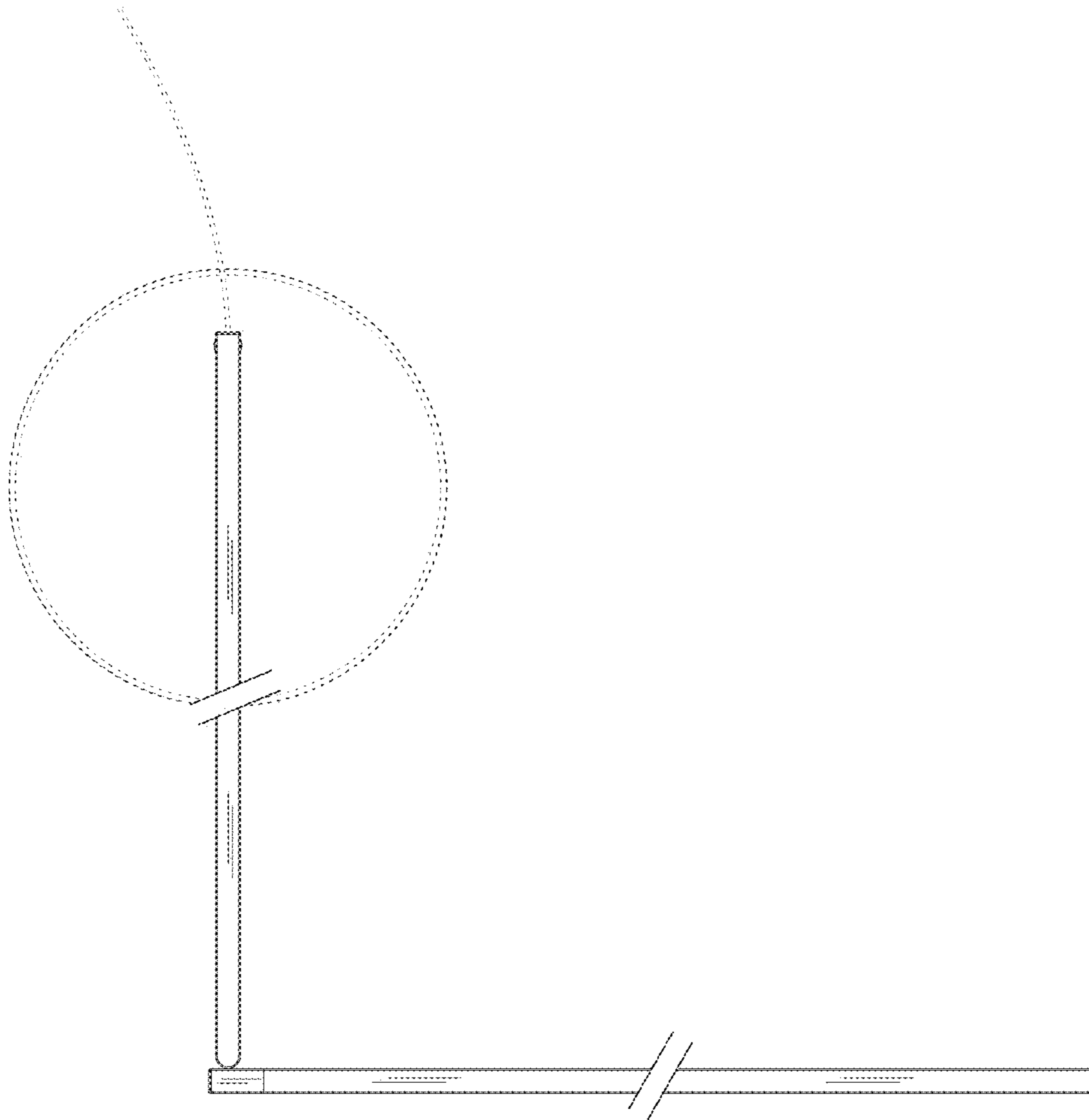


FIG. 6

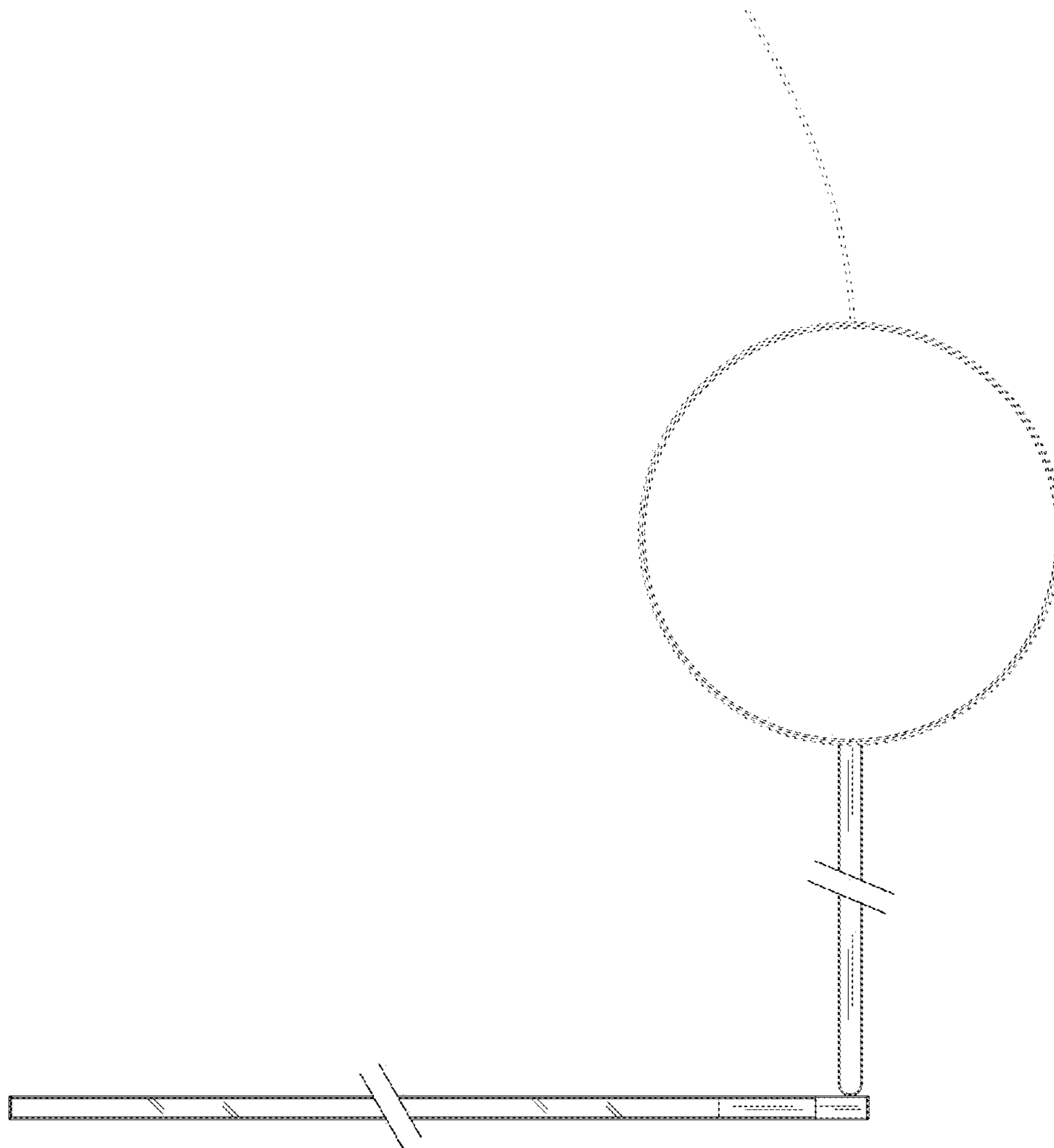


FIG. 7

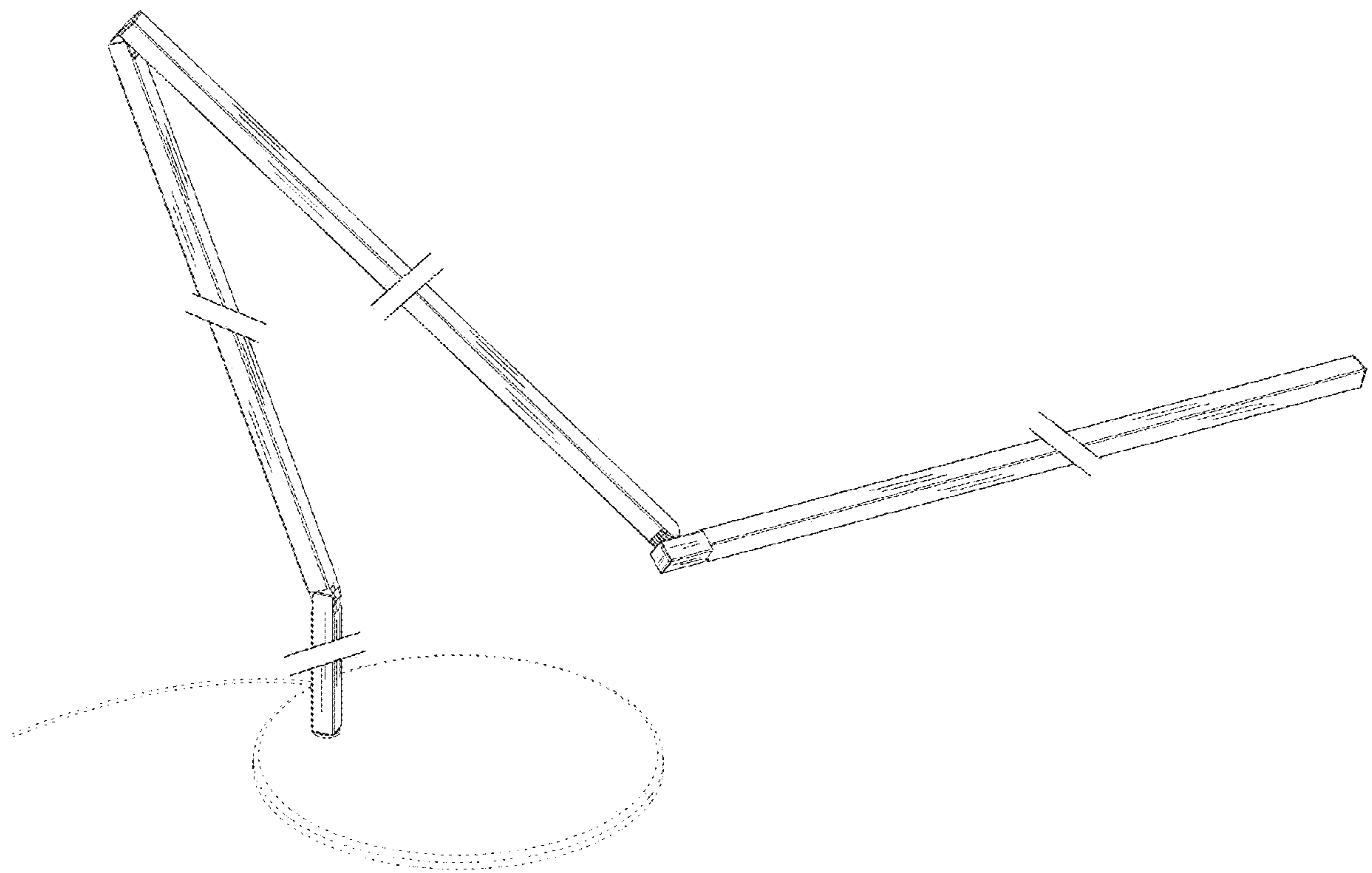


FIG. 8

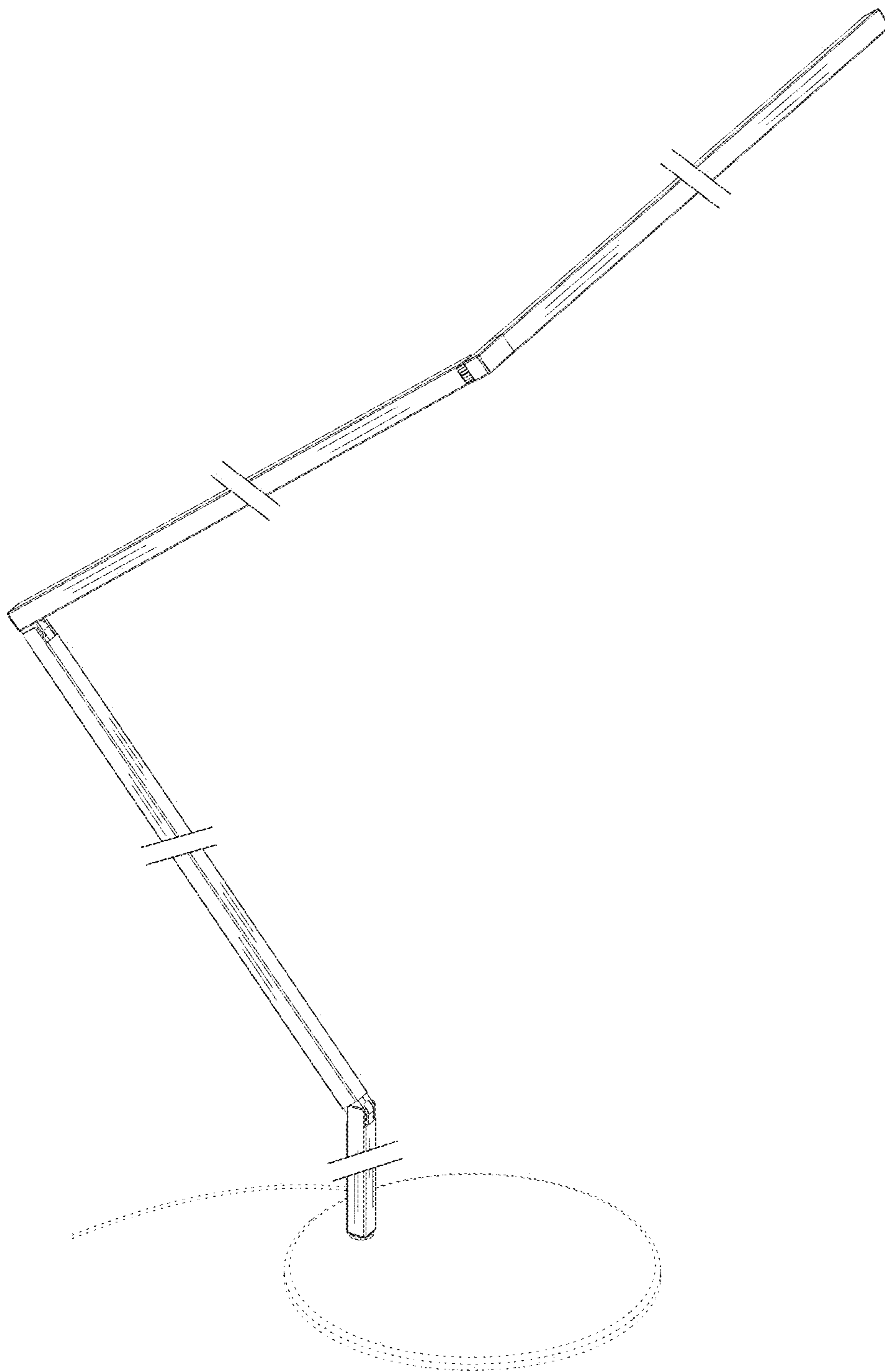


FIG. 9