



US00D893786S

(12) **United States Design Patent** (10) **Patent No.:** **US D893,786 S**  
**McKechnie et al.** (45) **Date of Patent:** **\*\* Aug. 18, 2020**

(54) **PORTABLE LIGHT**

(56) **References Cited**

(71) Applicant: **Knog Pty Ltd**, Richmond (AU)  
 (72) Inventors: **Malcolm McKechnie**, Richmond (AU);  
**Hugo Davidson**, Richmond (AU);  
**Chris Bilanenko**, Richmond (AU)  
 (73) Assignee: **Knog Pty Ltd** (AU)  
 (\*\*) Term: **15 Years**

U.S. PATENT DOCUMENTS

D608,037 S *	1/2010	Lee .....	D26/60
D616,127 S *	5/2010	Taiga .....	D26/60
D648,470 S *	11/2011	Rains .....	D26/60
D788,343 S *	5/2017	Sonneman .....	D26/60
D823,513 S *	7/2018	Iraneta Olcoz .....	D26/60
D840,079 S *	2/2019	Marshall .....	D26/60
D857,261 S *	8/2019	Xie .....	D26/60

\* cited by examiner

(21) Appl. No.: **29/671,265**  
 (22) Filed: **Nov. 26, 2018**

*Primary Examiner* — Brian N. Vinson  
 (74) *Attorney, Agent, or Firm* — Saidman DesignLaw Group, LLC

(30) **Foreign Application Priority Data**

(57) **CLAIM**

May 25, 2018 (AU) ..... 201813142

The ornamental design for a portable light, as shown and described.

(51) **LOC (12) Cl.** ..... **26-03**

**DESCRIPTION**

(52) **U.S. Cl.**

USPC ..... **D26/60**

(58) **Field of Classification Search**

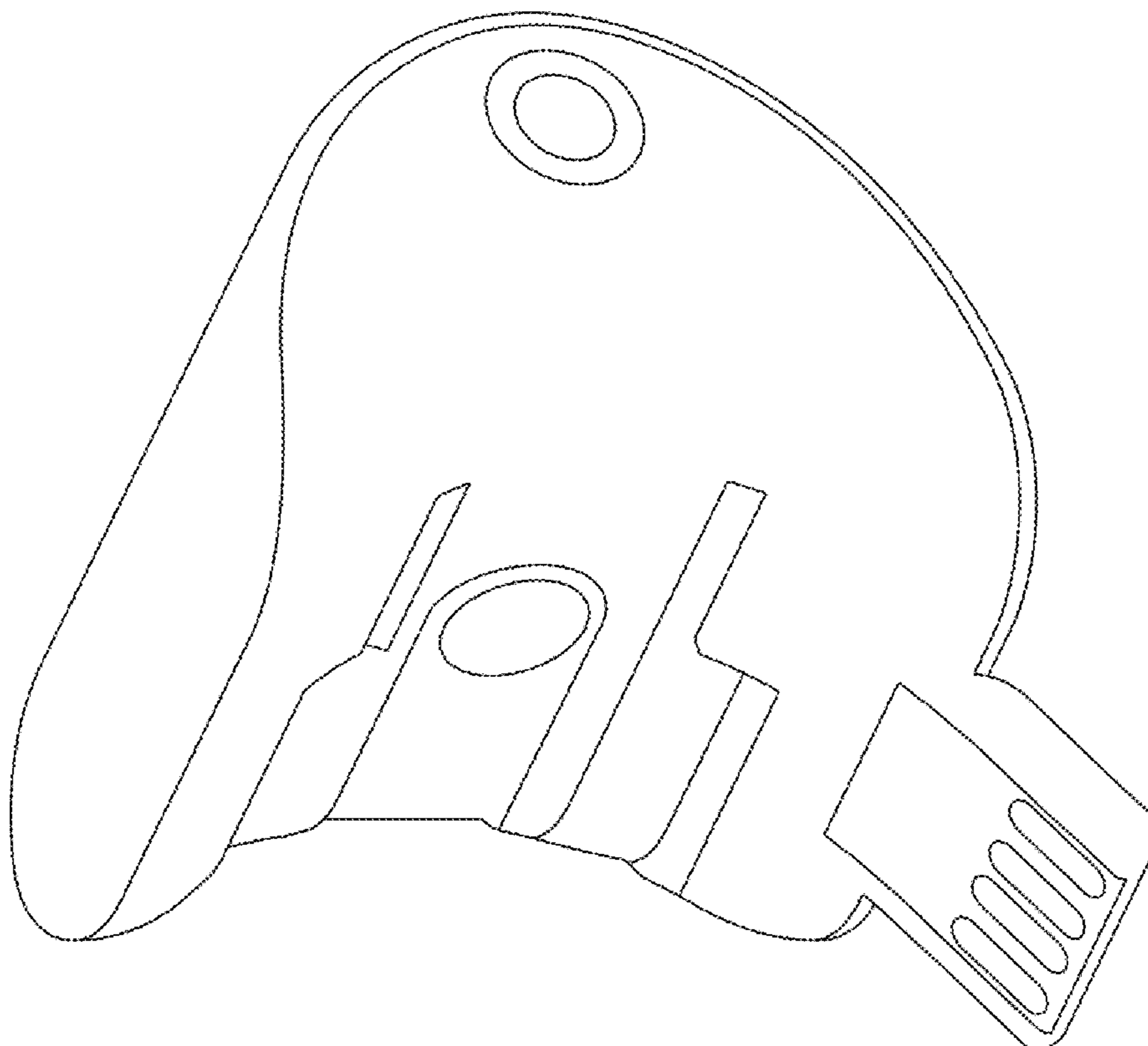
USPC ..... D26/1, 24, 28, 29, 37, 60, 61, 63, 113,  
D26/119, 138

CPC ..... B62J 6/00; B62J 6/001; B62J 6/003; B62J  
6/02; B62J 6/04; B62J 6/16; B62J 17/02;  
F21S 4/00; F21S 8/10; F21S 48/00; F21V  
3/00; F21V 15/01; F21V 21/00; F21V  
21/084; F21V 23/00

FIG. 1 is a front, bottom perspective view of a portable light showing our new design;  
 FIG. 2 is a rear, top perspective view thereof;  
 FIG. 3 is a front view thereof;  
 FIG. 4 is a rear view thereof;  
 FIG. 5 is a top view thereof;  
 FIG. 6 is a bottom view thereof; and,  
 FIG. 7 is a side view thereof.

See application file for complete search history.

**1 Claim, 7 Drawing Sheets**



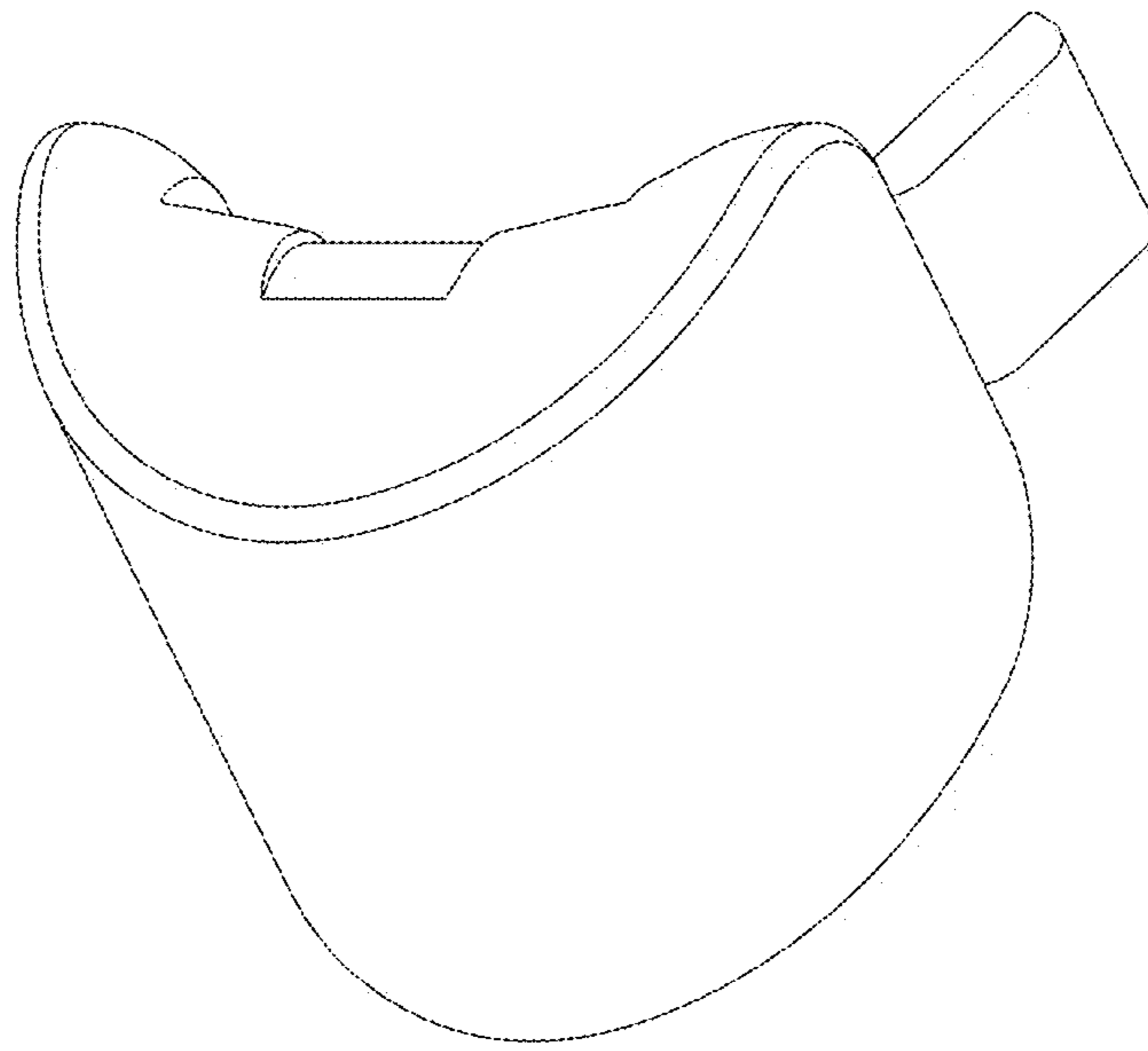


FIG. 1

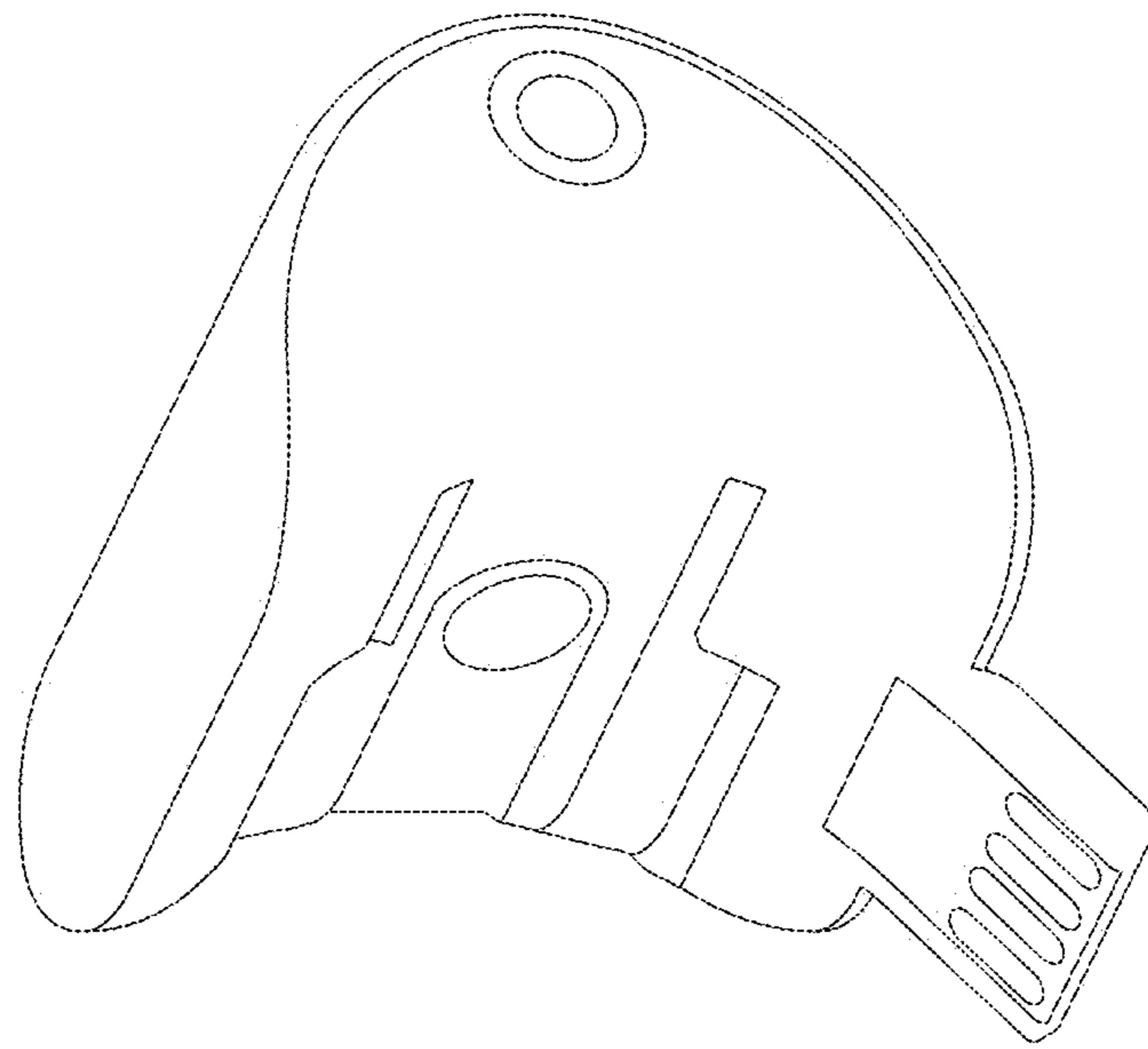


FIG. 2

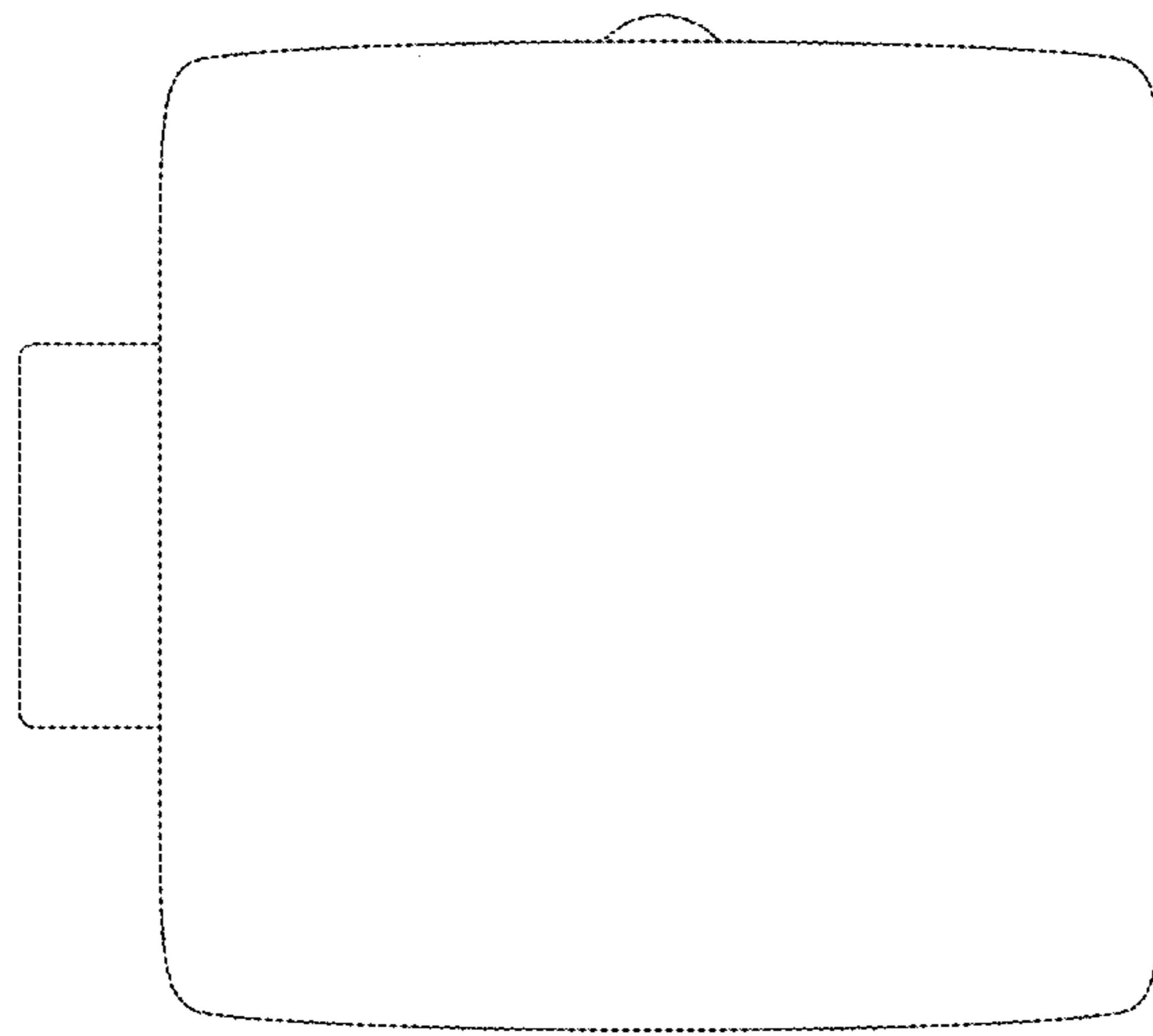


FIG. 3

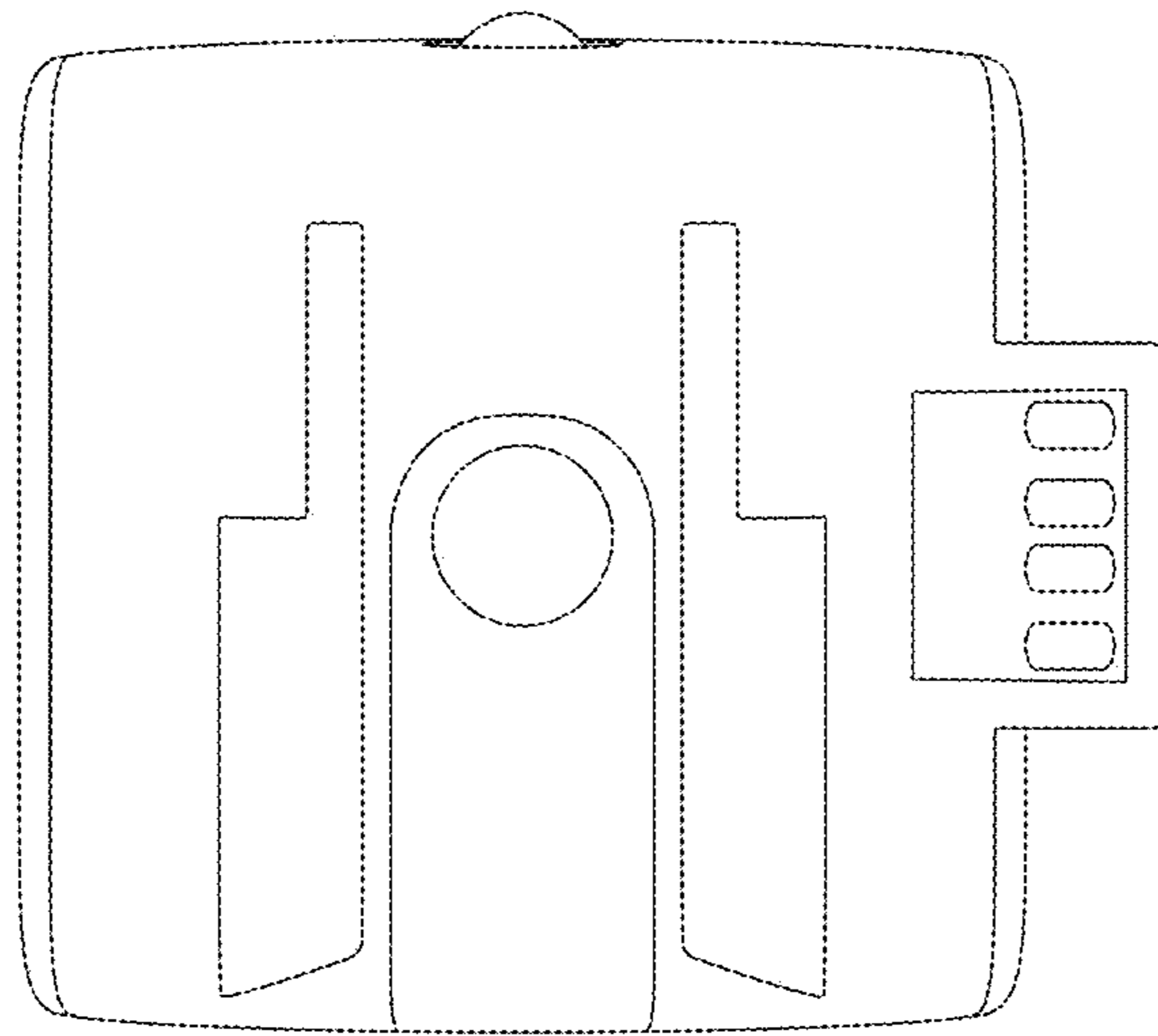


FIG. 4

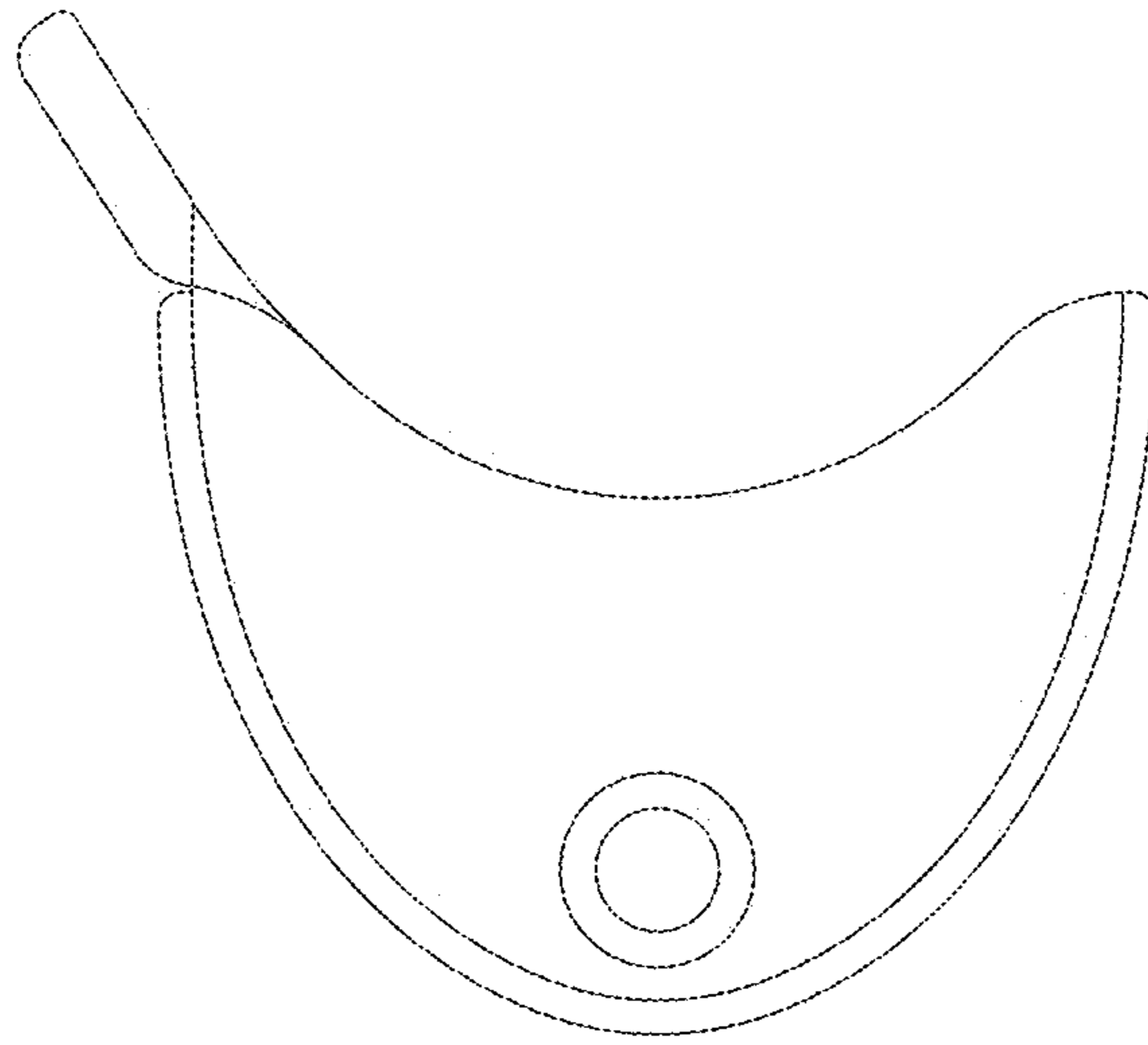


FIG. 5

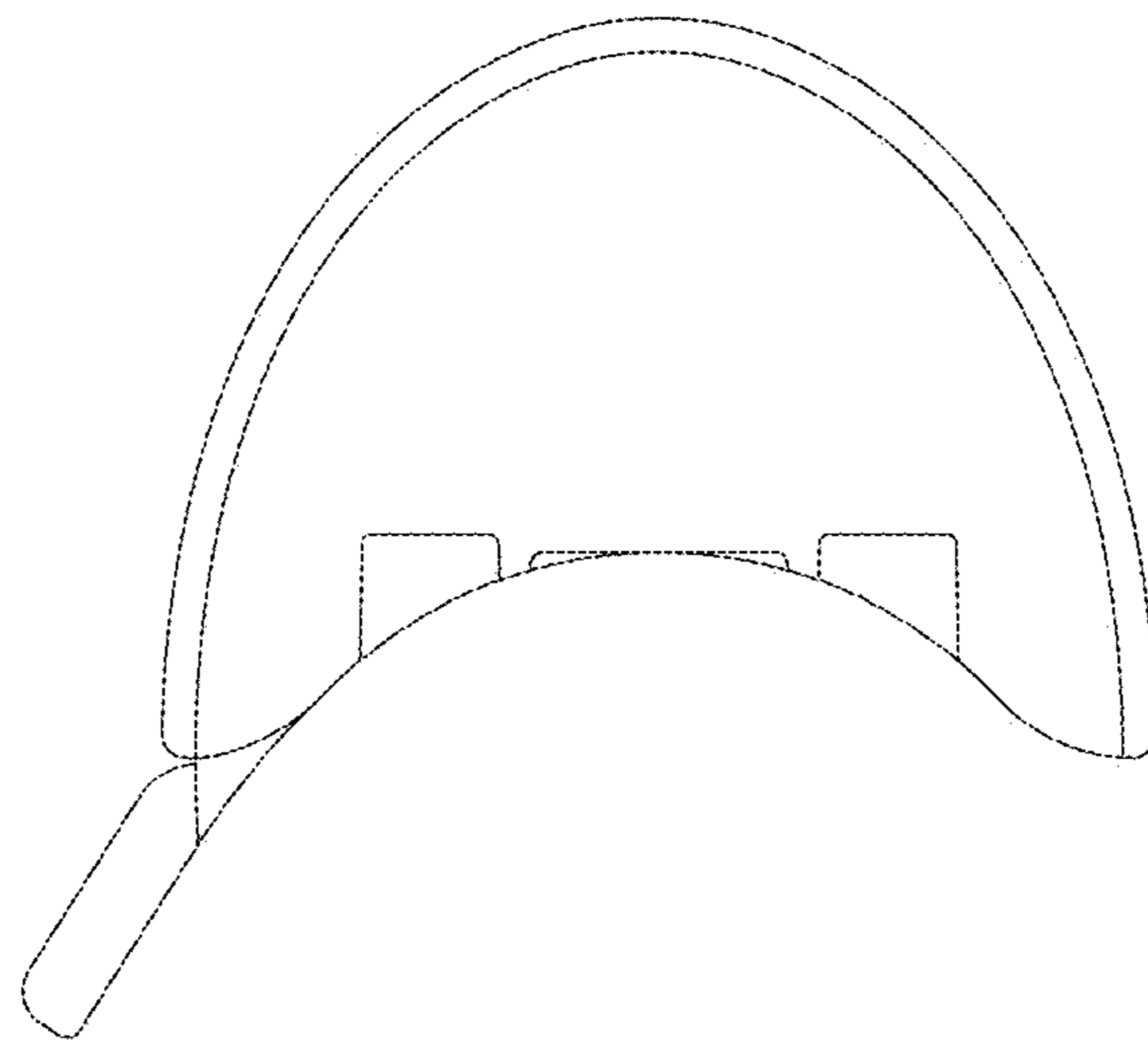


FIG. 6

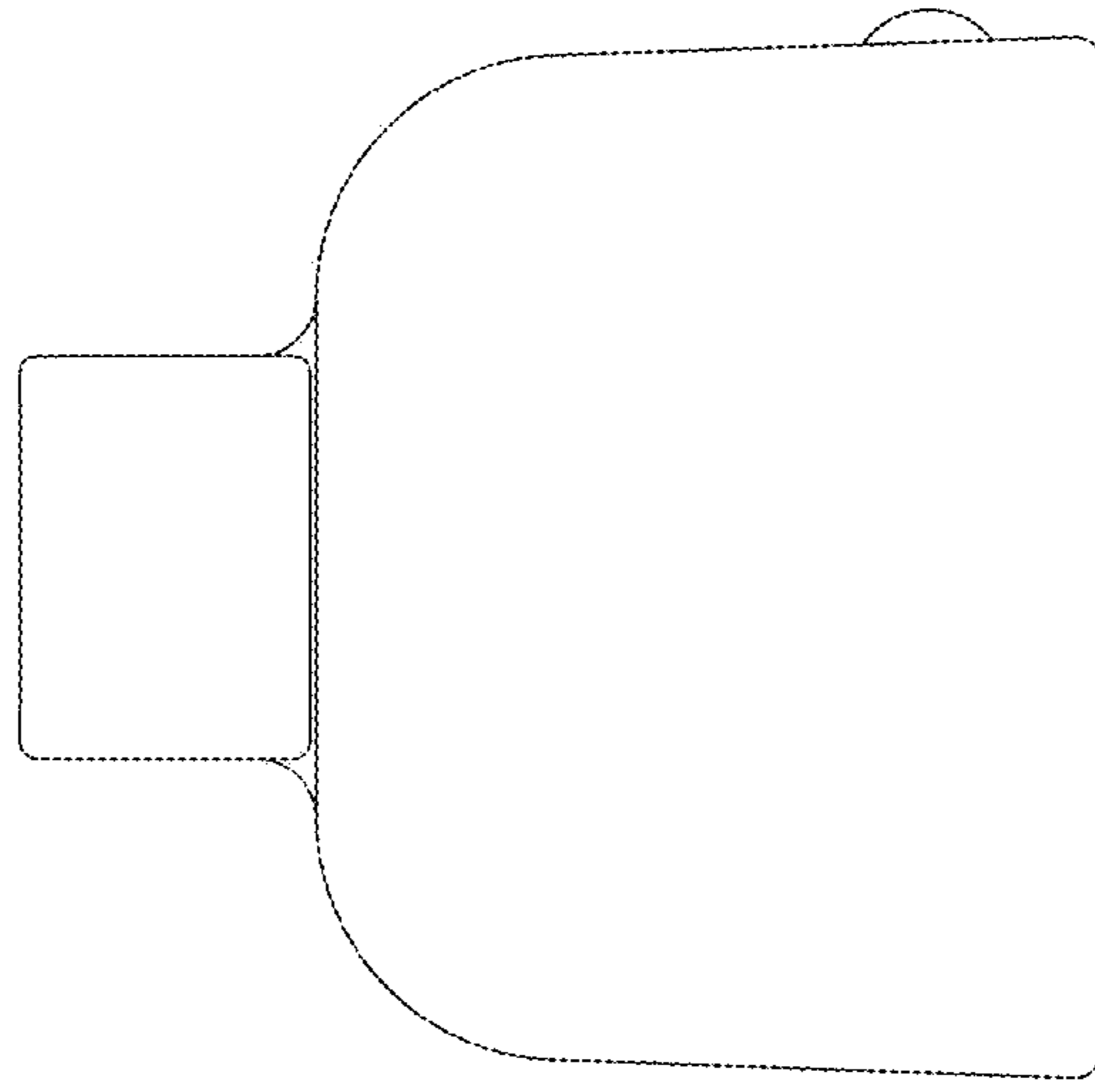


FIG. 7