



US00D893784S

(12) **United States Design Patent** (10) **Patent No.:** **US D893,784 S**
Wu (45) **Date of Patent:** **** Aug. 18, 2020**

(54) **EXPANDABLE FLASHLIGHT**
 (71) Applicant: **Liuning Wu**, Ningbo (CN)
 (72) Inventor: **Liuning Wu**, Ningbo (CN)
 (73) Assignee: **Ningbo Worth International Trade Co., Ltd.**, Ningbo (CN)
 (**) Term: **15 Years**

D706,969 S *	6/2014	Casciotti	D26/49
D716,982 S *	11/2014	Corey	D26/49
D738,021 S *	9/2015	Wang	D26/41
D743,075 S *	11/2015	Keaton	D22/108
D765,898 S *	9/2016	Caito	D26/42
D797,336 S *	9/2017	Inskeep	D26/49
D799,084 S *	10/2017	Wu	D26/38
D802,192 S *	11/2017	Windom	D26/49
D823,510 S *	7/2018	Kunzendorf	D26/49
D827,893 S *	9/2018	Kunzendorf	D26/49
D831,250 S *	10/2018	Wu	D26/49

* cited by examiner

(21) Appl. No.: **29/625,691**
 (22) Filed: **Nov. 11, 2017**
 (51) **LOC (12) Cl.** **26-02**
 (52) **U.S. Cl.**
 USPC **D26/49**
 (58) **Field of Classification Search**
 USPC D26/37-51
 CPC F21L 2003/00; F21L 4/00; F21L 4/005;
 F21L 4/02; F21L 4/025; F21L 4/027;
 F21L 4/04; F21L 4/08; F21L 2005/00;
 F21L 7/00; F21L 11/00; F21L 13/00;
 F21L 13/04; F21L 13/08; F21L 14/02;
 F21L 17/00; F21L 19/00; F21L 25/00
 See application file for complete search history.

Primary Examiner — Lakiya G Rogers
Assistant Examiner — Carissa C Fitts
 (74) *Attorney, Agent, or Firm* — Thomas I. Rozsa

(57) **CLAIM**

The ornamental design for an expandable flashlight, as shown and described.

DESCRIPTION

FIG. 1 is a front side perspective view of the expandable flashlight showing my new design;
 FIG. 2 is a front side perspective view of the expandable flashlight wherein the flashlight is in the expanded position;
 FIG. 3 is a top view thereof;
 FIG. 4 is a bottom view thereof;
 FIG. 5 is a front view thereof;
 FIG. 6 is a back view thereof;
 FIG. 7 is a left side view thereof;
 FIG. 8 is a right side view thereof;
 FIG. 9 is a front view of the flashlight in the expanded position; and,
 FIG. 10 is a front side perspective of the expandable flashlight.

(56) **References Cited**
 U.S. PATENT DOCUMENTS

D505,506 S *	5/2005	Kolflat	D26/37
D521,164 S *	5/2006	Sharrah	D26/37
D548,861 S *	8/2007	Chapman	D26/37
D612,086 S *	3/2010	Brauer	D26/42
D636,512 S *	4/2011	Heath	D26/49
D647,231 S *	10/2011	Bertken	D26/38
D698,959 S *	2/2014	Shen	D26/46
D706,475 S *	6/2014	Lee	D26/49

1 Claim, 9 Drawing Sheets

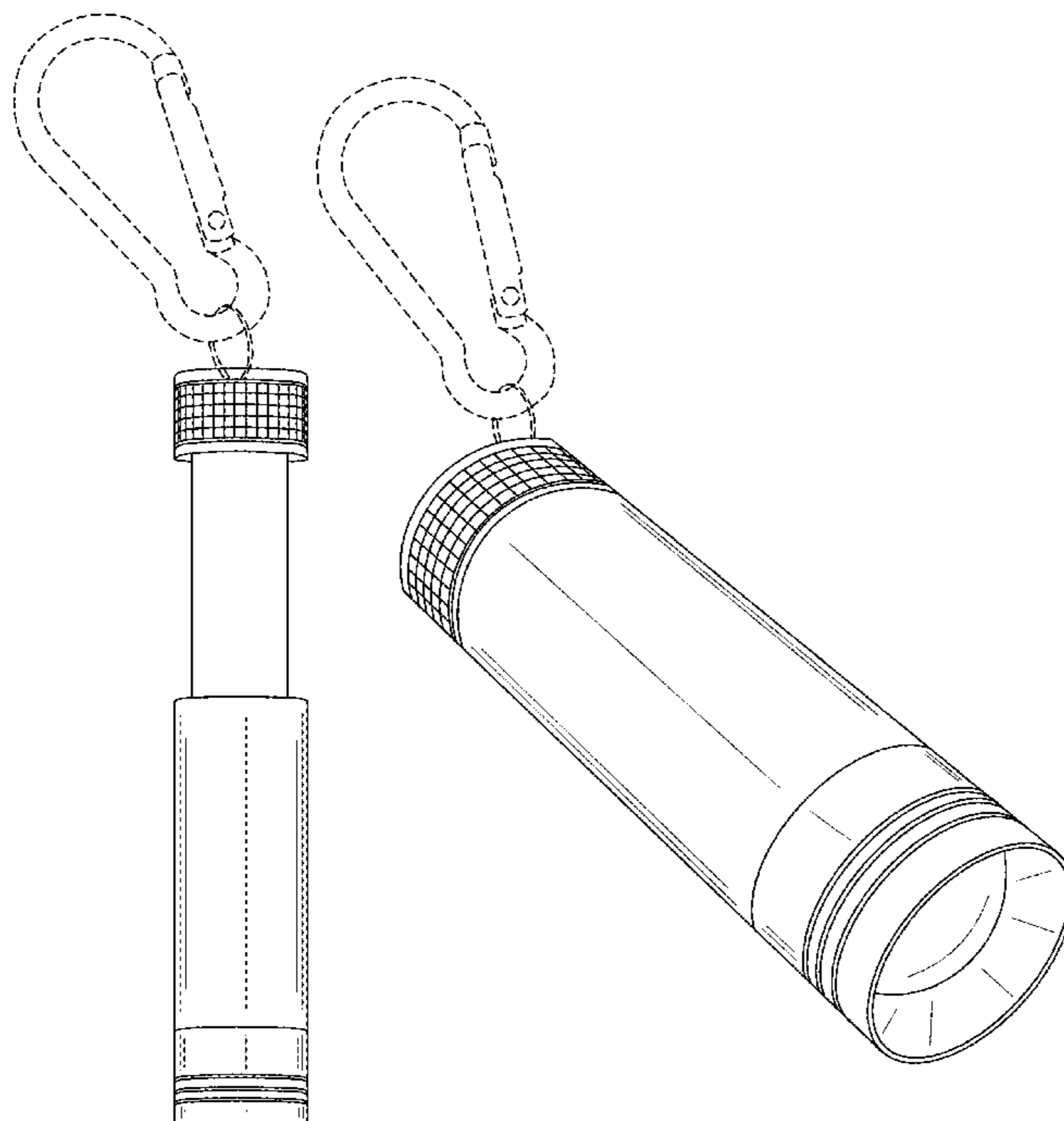




FIG. 1

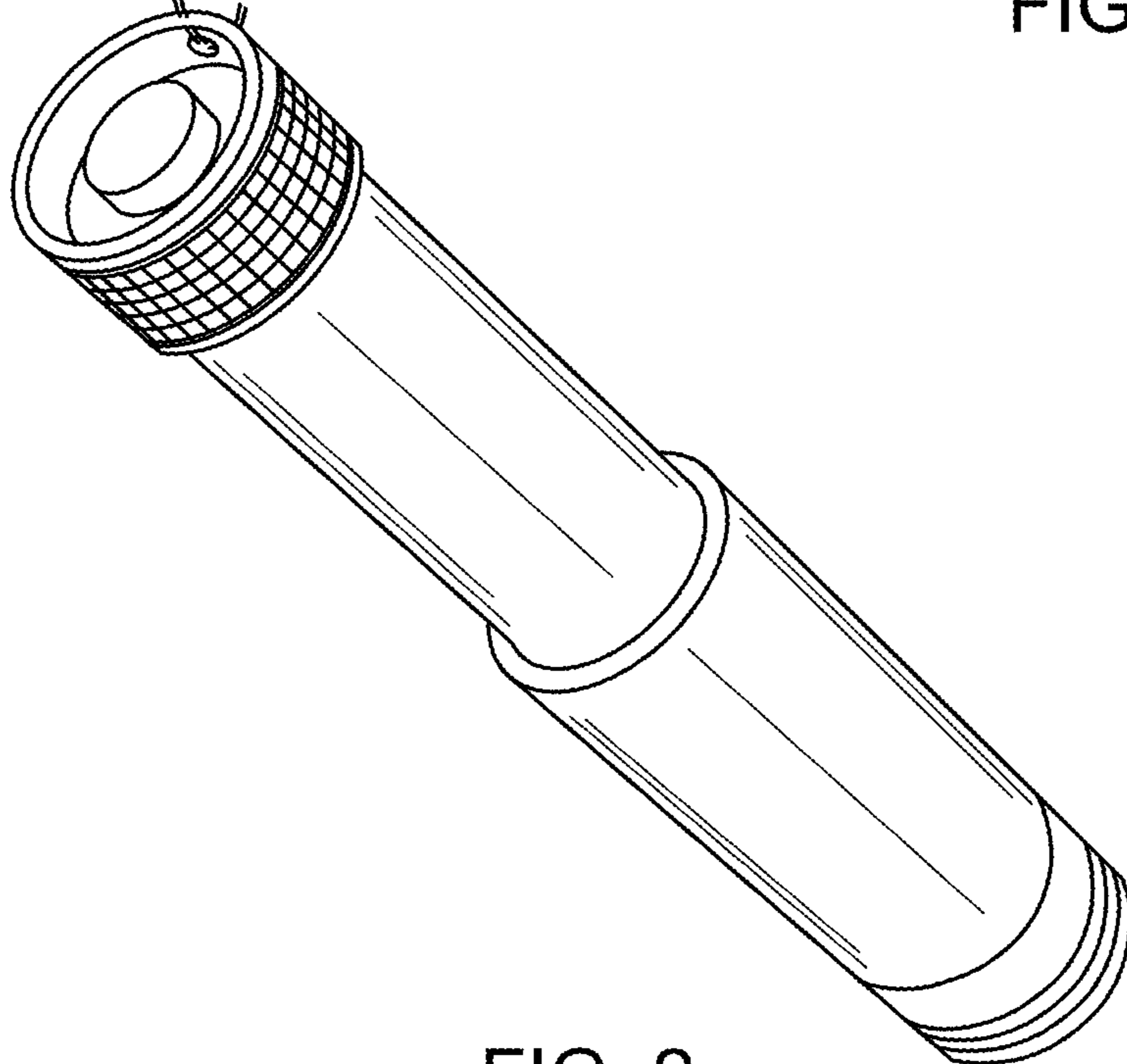


FIG. 2

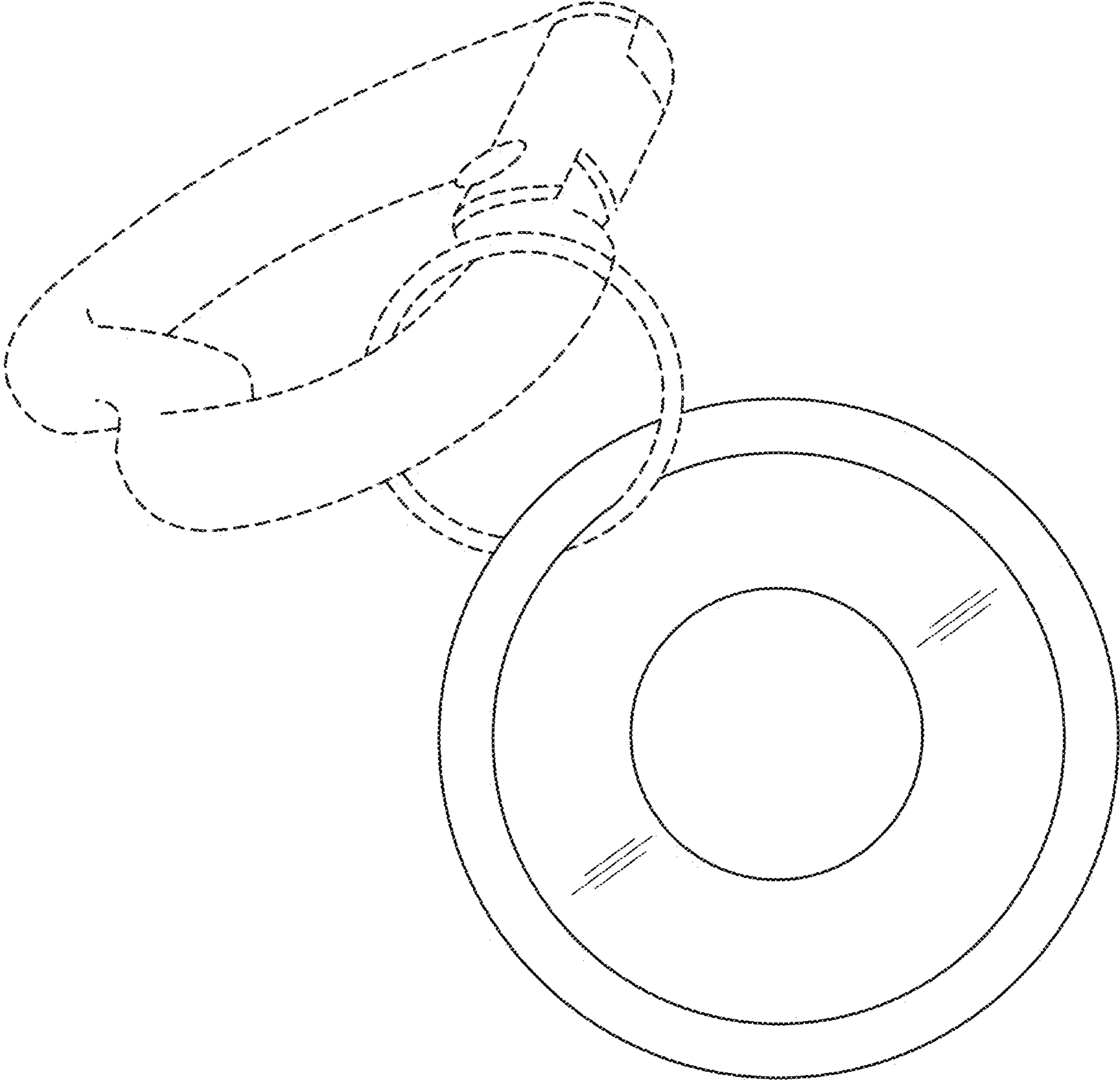


FIG. 3

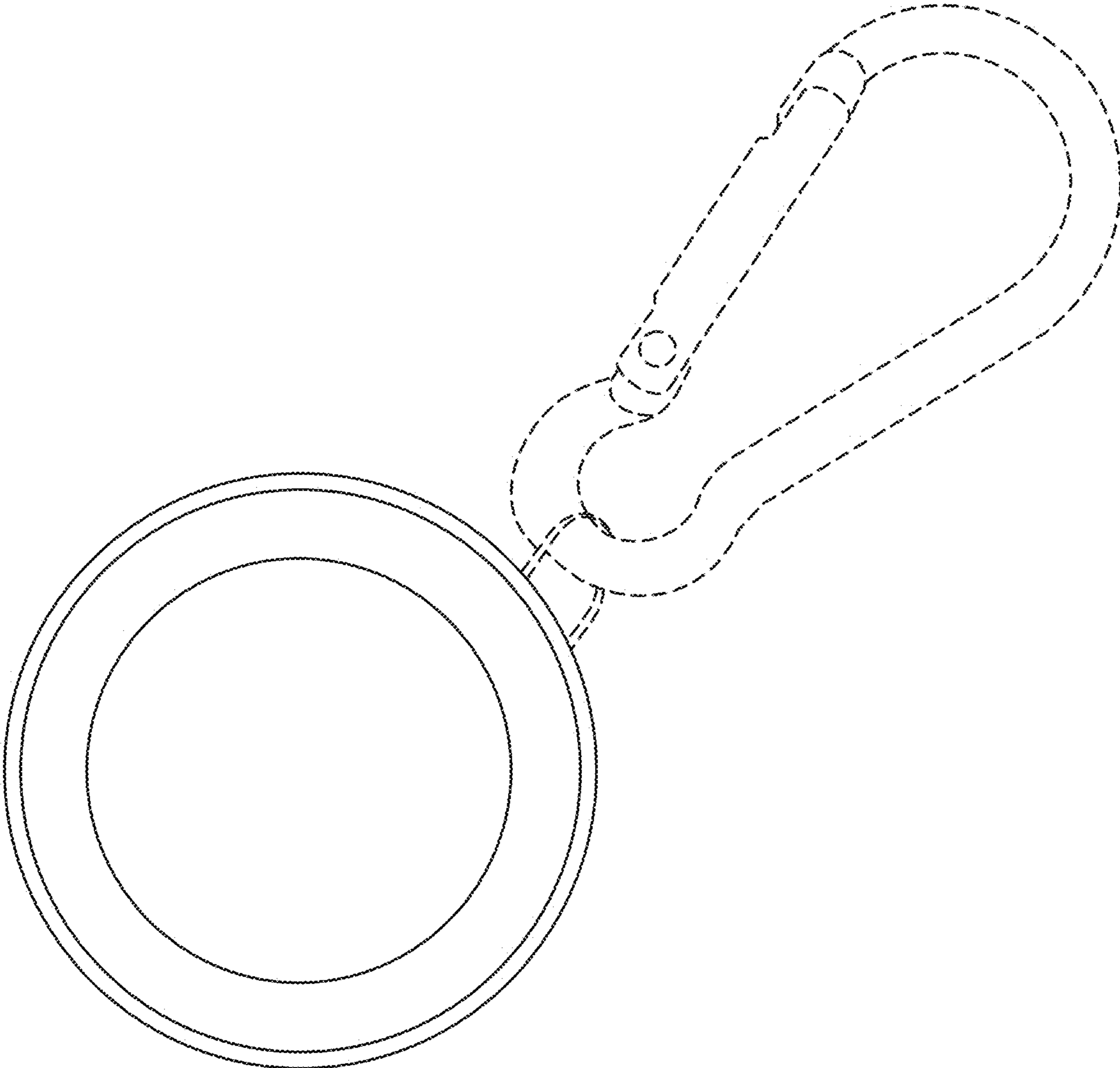


FIG. 4

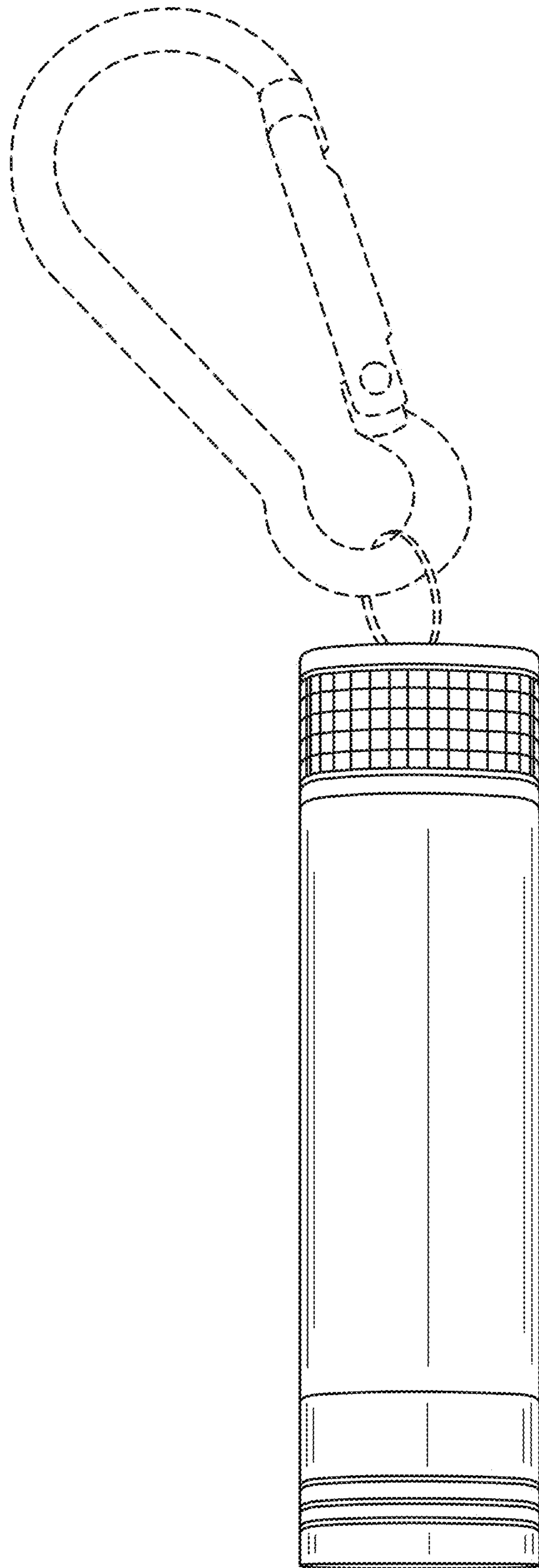


FIG. 5

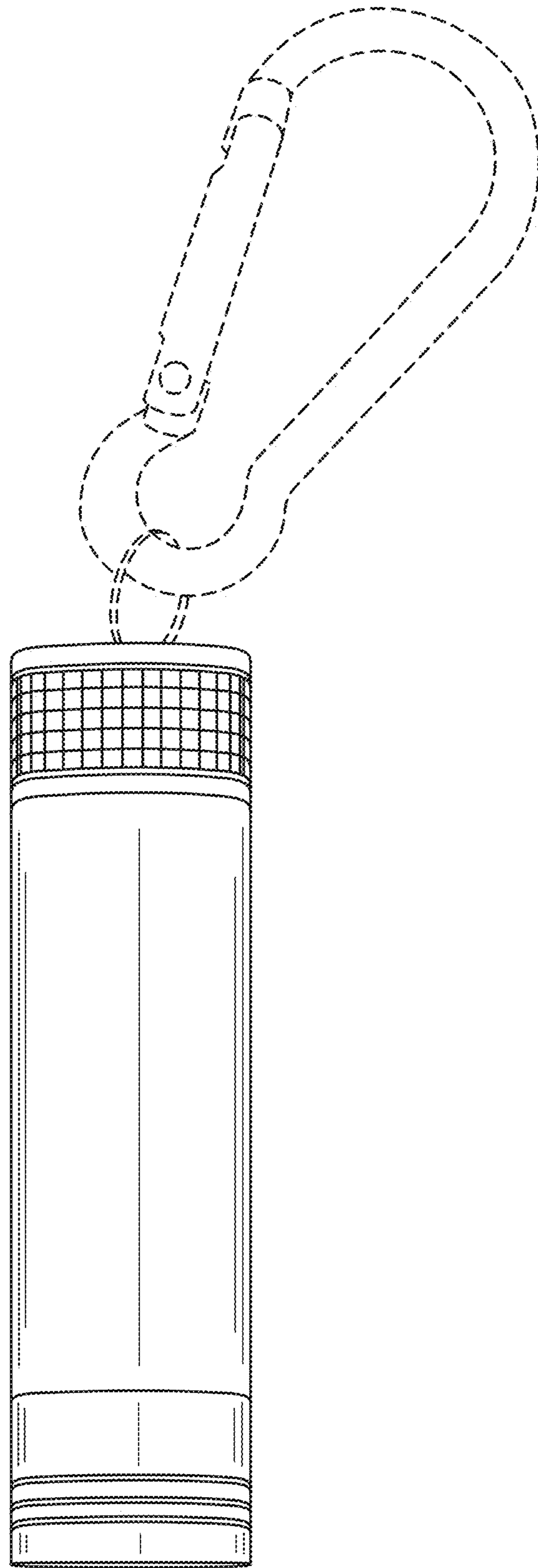


FIG. 6

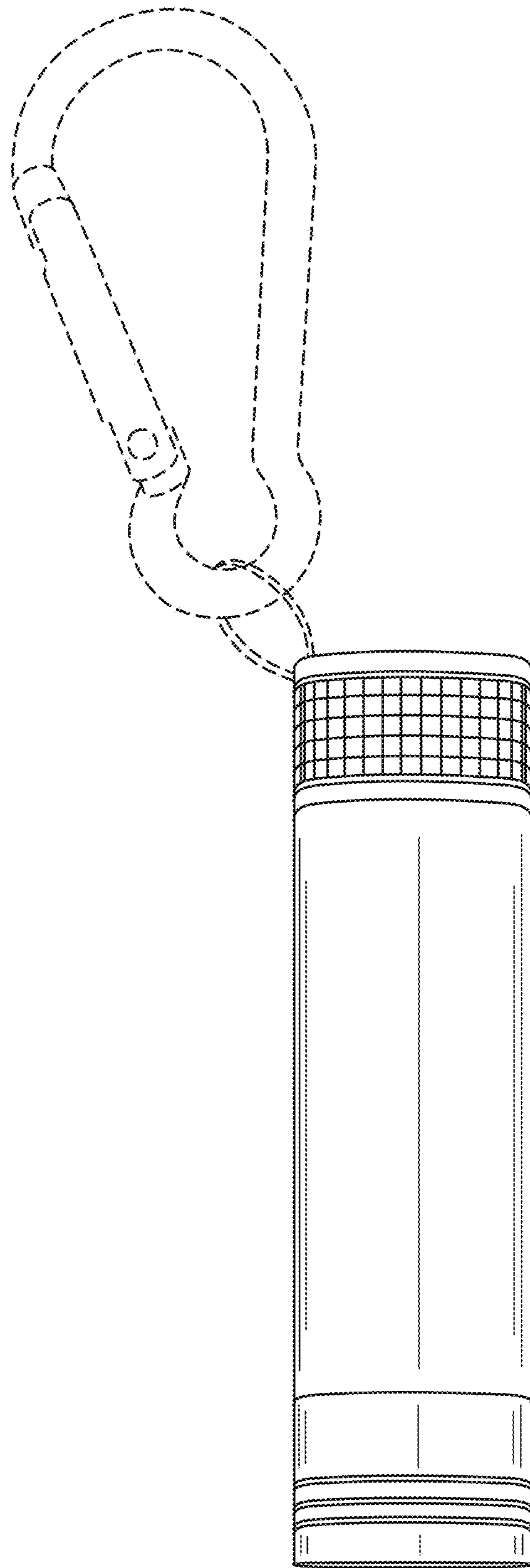


FIG. 7

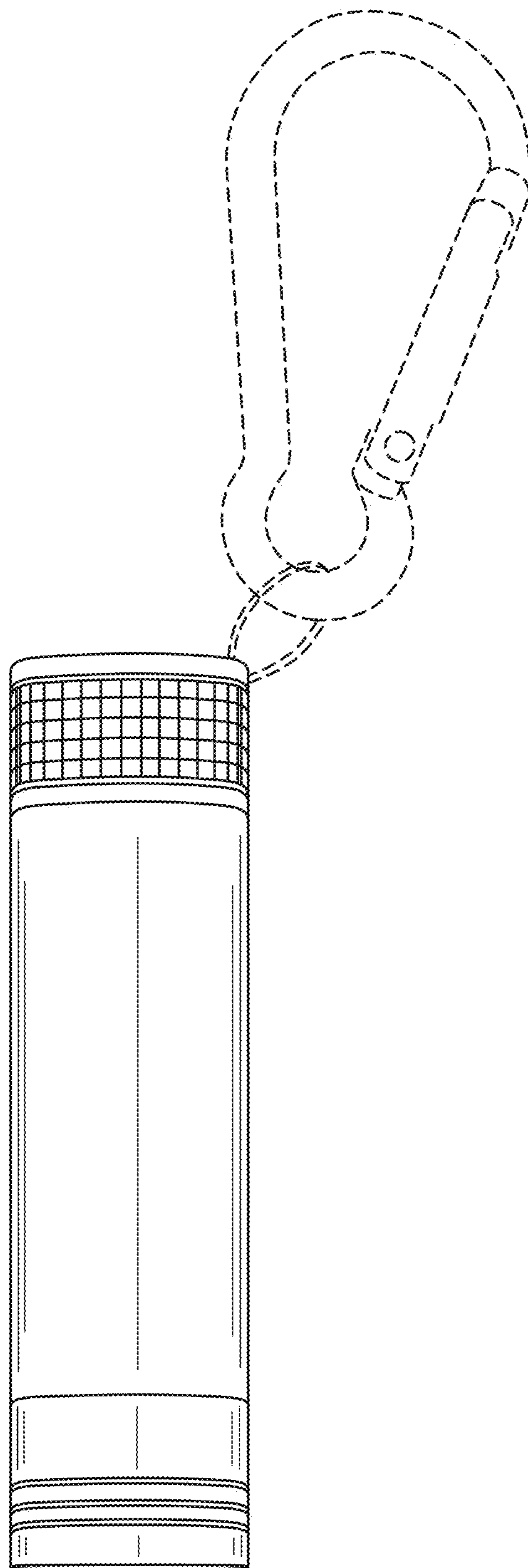


FIG. 8

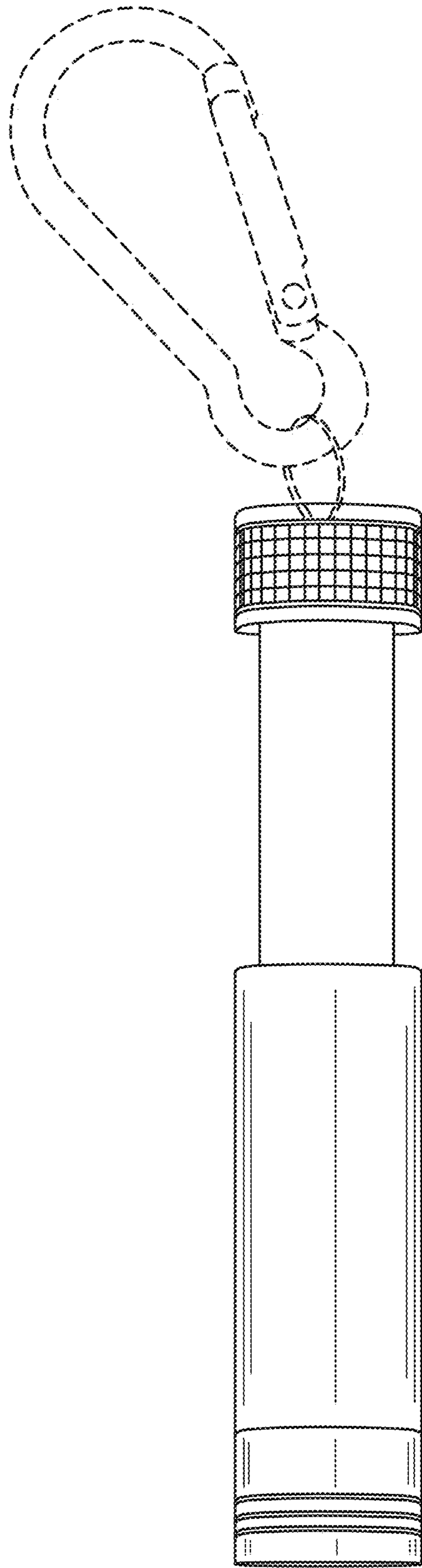


FIG. 9

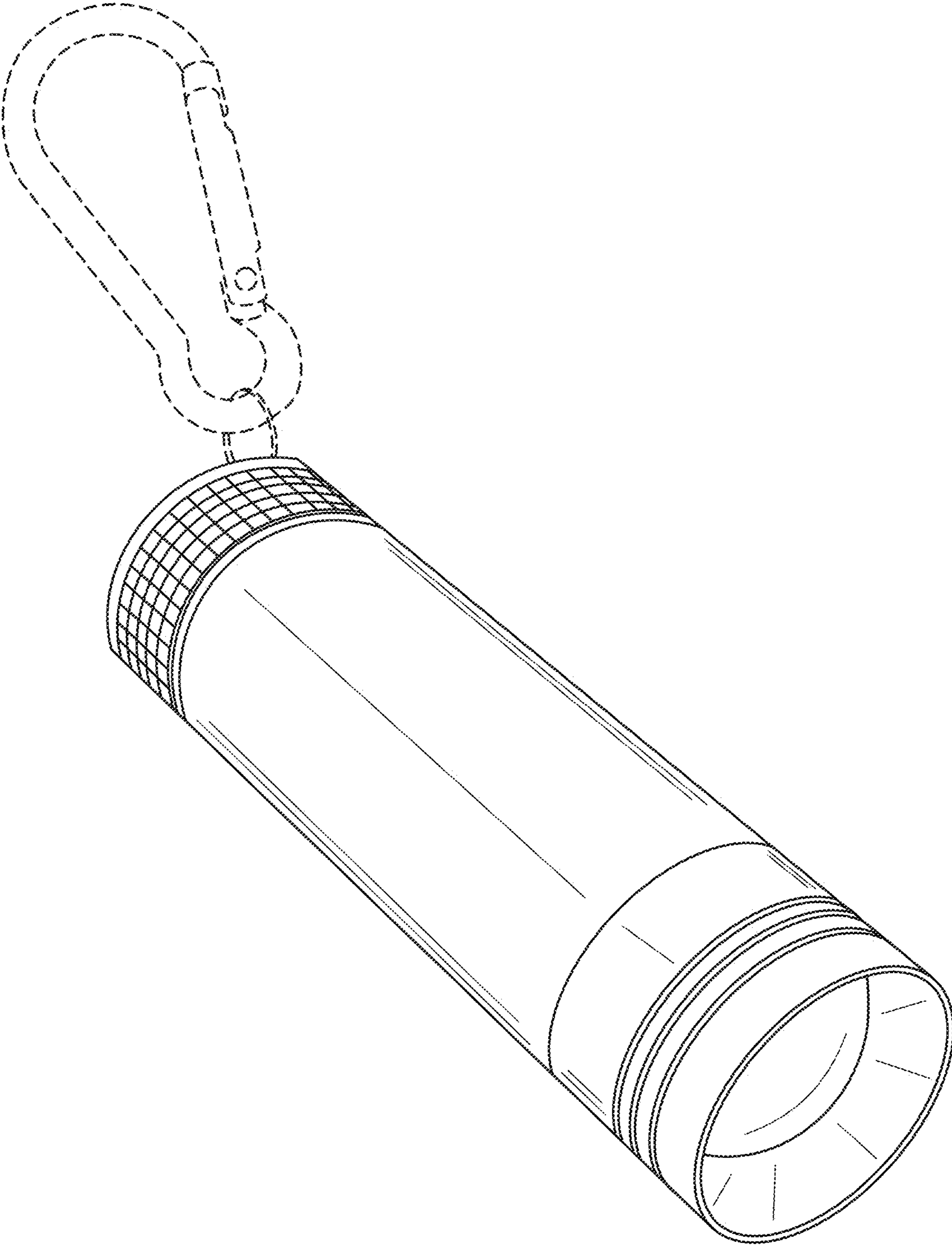


FIG. 10