



US00D893783S

(12) **United States Design Patent**
Khubani et al.

(10) **Patent No.:** **US D893,783 S**

(45) **Date of Patent:** **** Aug. 18, 2020**

(54) **LIGHTING APPARATUS**

(71) Applicant: **Telebrands Corp.**, Fairfield, NJ (US)

(72) Inventors: **Ajit Khubani**, Saddle River, NJ (US);
Damian Mucaro, Hackensack, NJ
(US); **Paul Dowd**, Scarsdale, NY (US)

(73) Assignee: **Telebrands Corp.**, Fairfield, NJ (US)

(**) Term: **15 Years**

(21) Appl. No.: **29/611,707**

(22) Filed: **Jul. 25, 2017**

(51) **LOC (12) Cl.** **26-02**

(52) **U.S. Cl.**
USPC **D26/39**

(58) **Field of Classification Search**
USPC D26/37-51
CPC F21L 2003/00; F21L 4/00; F21L 4/005;
F21L 4/02; F21L 4/025; F21L 4/027;
F21L 4/04; F21L 4/08; F21L 2005/00;
F21L 7/00; F21L 11/00; F21L 13/00;
F21L 13/04; F21L 13/08; F21L 14/02;
F21L 17/00; F21L 19/00; F21L 25/00;
A41D 19/0024; A41D 19/0157

See application file for complete search history.

(56) **References Cited**

U.S. PATENT DOCUMENTS

3,638,011	A	1/1972	Bain et al.	
4,788,631	A *	11/1988	Fuller	F21V 9/083 362/103
D404,509	S *	1/1999	Deen	D26/37
6,006,357	A *	12/1999	Mead	A41D 19/0157 2/160
6,592,235	B1	7/2003	Mayo	
6,892,397	B2 *	5/2005	Raz	A41D 19/0157 2/160
6,902,289	B1	6/2005	Smith	

7,013,490	B2	3/2006	Senter et al.	
7,152,248	B2 *	12/2006	Ziemer	A41D 19/0157 2/160
7,363,660	B1 *	4/2008	Gilliland	A41D 19/0017 2/159
7,503,667	B2	3/2009	Wilkins	

(Continued)

OTHER PUBLICATIONS

Atomic Beam Glove, [online],[site visited on Jun. 18, 2019]. Available from internet, <URL:https://www.amazon.com/Atomic-Beam-Rechargeable-Battery-BulbHead/dp/B075DKQ1WT>, 5 pages. published date Aug. 2017. (Year: 2017).*

(Continued)

Primary Examiner — Lakiya G Rogers

Assistant Examiner — Carissa C Fitts

(74) *Attorney, Agent, or Firm* — Cooper & Dunham LLP

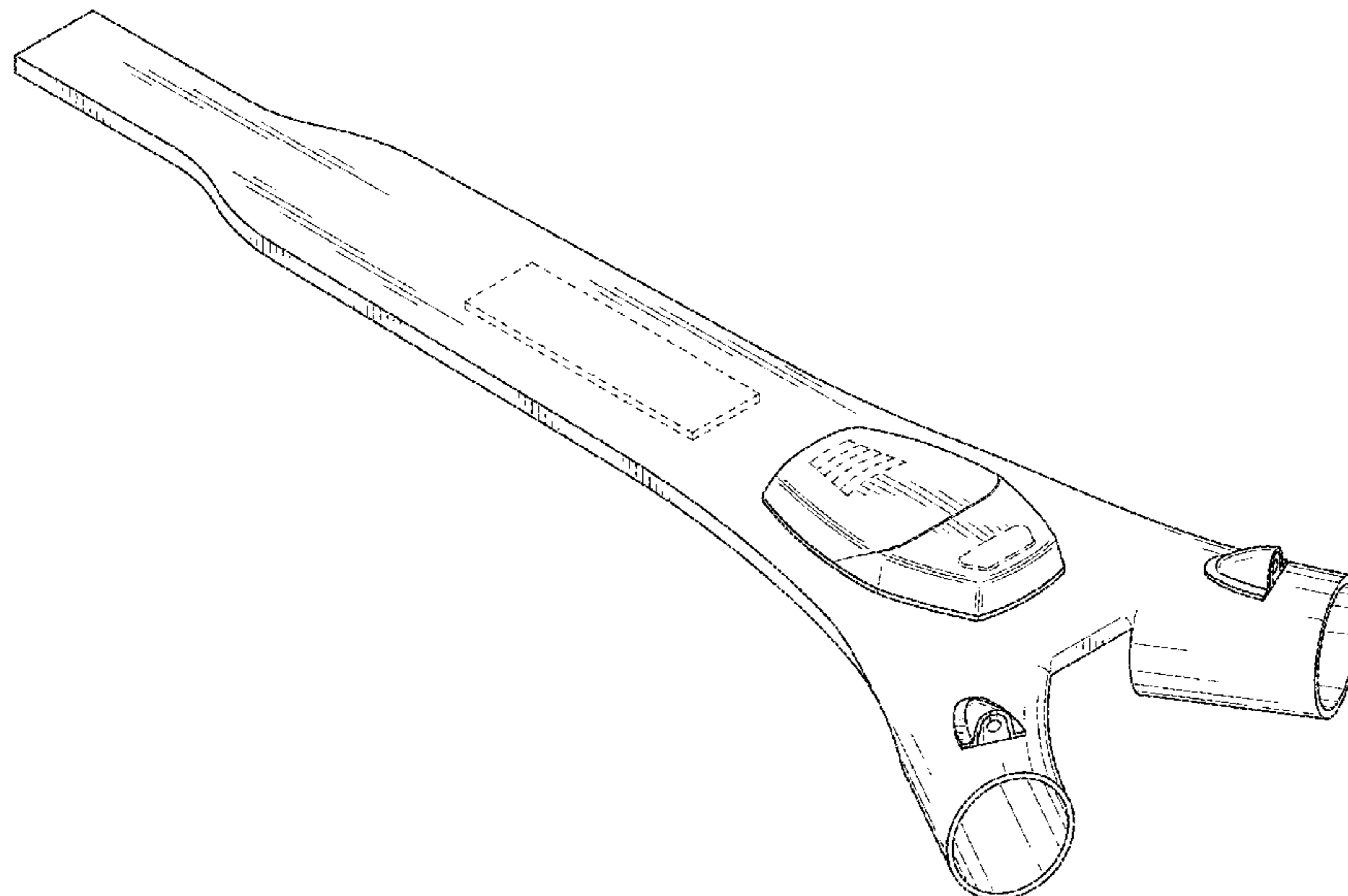
(57) **CLAIM**

The ornamental design for a lighting apparatus, as shown and described.

DESCRIPTION

FIG. 1 is a front perspective view of a lighting apparatus in accordance with the present design;
FIG. 2 is a front view thereof;
FIG. 3 is a back view thereof;
FIG. 4 is a right side view thereof;
FIG. 5 is a left side view thereof;
FIG. 6 is a top view thereof; and
FIG. 7 is a bottom view thereof; and,
FIG. 8 is a top perspective view of a lighting apparatus being worn by a user in accordance with the present invention. The broken line showing of the hand in FIG. 8 is for environmental purposes only. All other broken lines show portion of the article which form no part of the claimed design.

1 Claim, 6 Drawing Sheets



(56)

References Cited

U.S. PATENT DOCUMENTS

7,891,831 B2 * 2/2011 Chen A41D 19/0157
2/160
7,959,314 B1 * 6/2011 Rodriguez A41D 19/0157
2/160
D640,856 S * 7/2011 Rose D2/614
D642,310 S * 7/2011 Idelson D26/39
8,038,310 B1 * 10/2011 Hale A41D 19/0157
2/159
8,230,522 B1 * 7/2012 Bell A41D 19/0037
2/160
8,523,377 B1 * 9/2013 York F21V 21/08
362/103
D739,062 S * 9/2015 Phares D26/39
D748,835 S * 2/2016 Yu D26/39
D752,262 S * 3/2016 Jones D26/39
9,572,384 B2 * 2/2017 Tiffin A41D 19/002
9,700,087 B2 * 7/2017 Tiffin A41D 19/01547
D819,295 S * 6/2018 Kaniaru D2/617
10,021,925 B1 * 7/2018 Lion A41D 19/0157
2003/0011469 A1 * 1/2003 Bush A41D 19/0157
340/326
2004/0128736 A1 * 7/2004 Raz A41D 19/0157
2/159

2004/0255361 A1 * 12/2004 Senter A41D 19/0157
2/160
2008/0062676 A1 * 3/2008 Masuda A41D 19/0024
362/103
2008/0218996 A1 * 9/2008 Galloway A41D 19/0157
362/103
2009/0168407 A1 * 7/2009 Wright F21V 21/0965
362/103
2011/0157873 A1 * 6/2011 English F21L 4/00
362/103
2018/0177252 A1 * 6/2018 Komperda A41D 19/0024

OTHER PUBLICATIONS

Atomic Beam Glove, [online],[site visited on Jun. 18, 2019]. Available from internet, <URL:https://www.youtube.com/watch?v=xn0DzunyWic>, 2 pages. published date Aug. 2017. (Year: 2017).*
Glove Lite Flashlight,(time stop :16) [online], [site visited Oct. 31, 2019], Available from internet, <URL:https://www.youtube.com/watch?v=Ly8Zj90Yrmo>, 1 page publish date Apr. 25, 2014 (Year: 2014).*
Multi-purpose Gloves with LED's by GloveLite, accessed Jun. 12, 2018, available at http://www.qvc.com/Multi-purpose-Gloves-with-LEDs-by-GloveLite.product.F09570.html.

* cited by examiner

FIG. 1

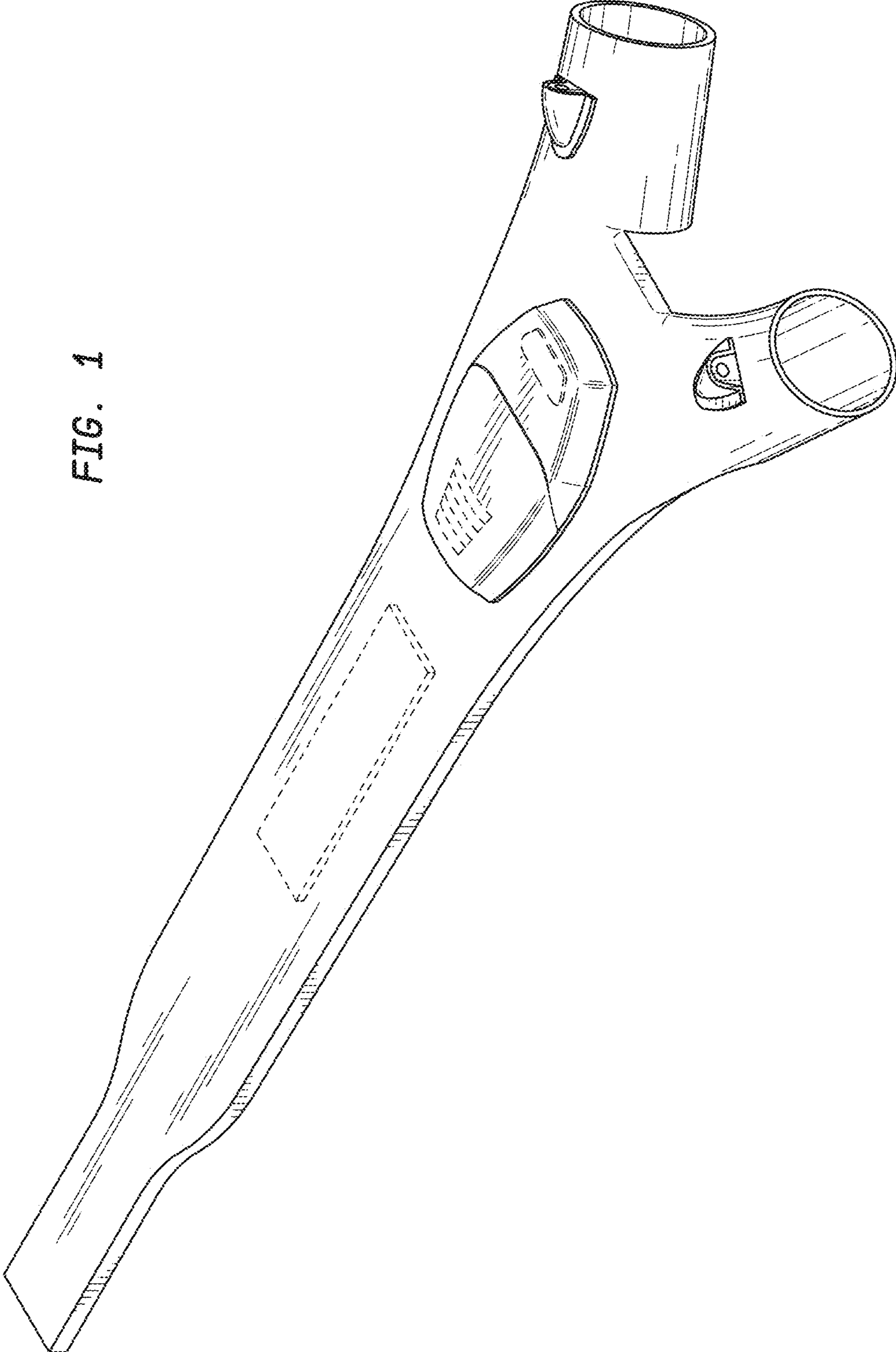


FIG. 2

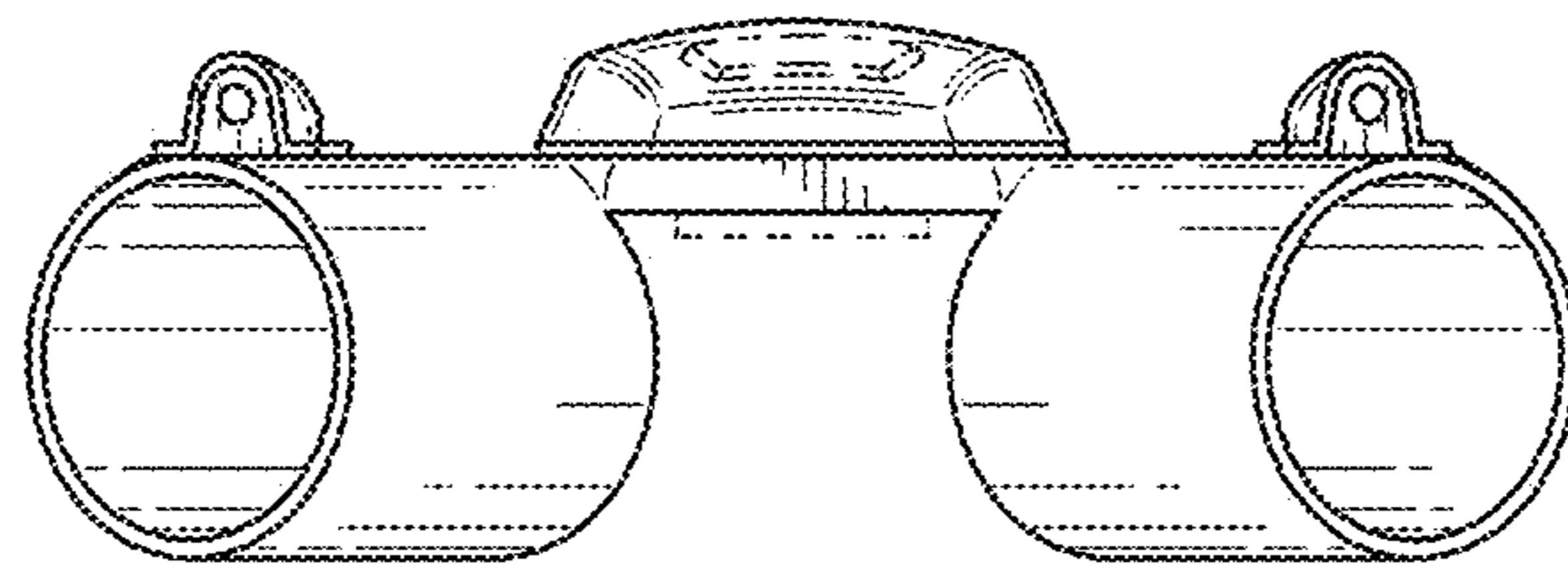


FIG. 3

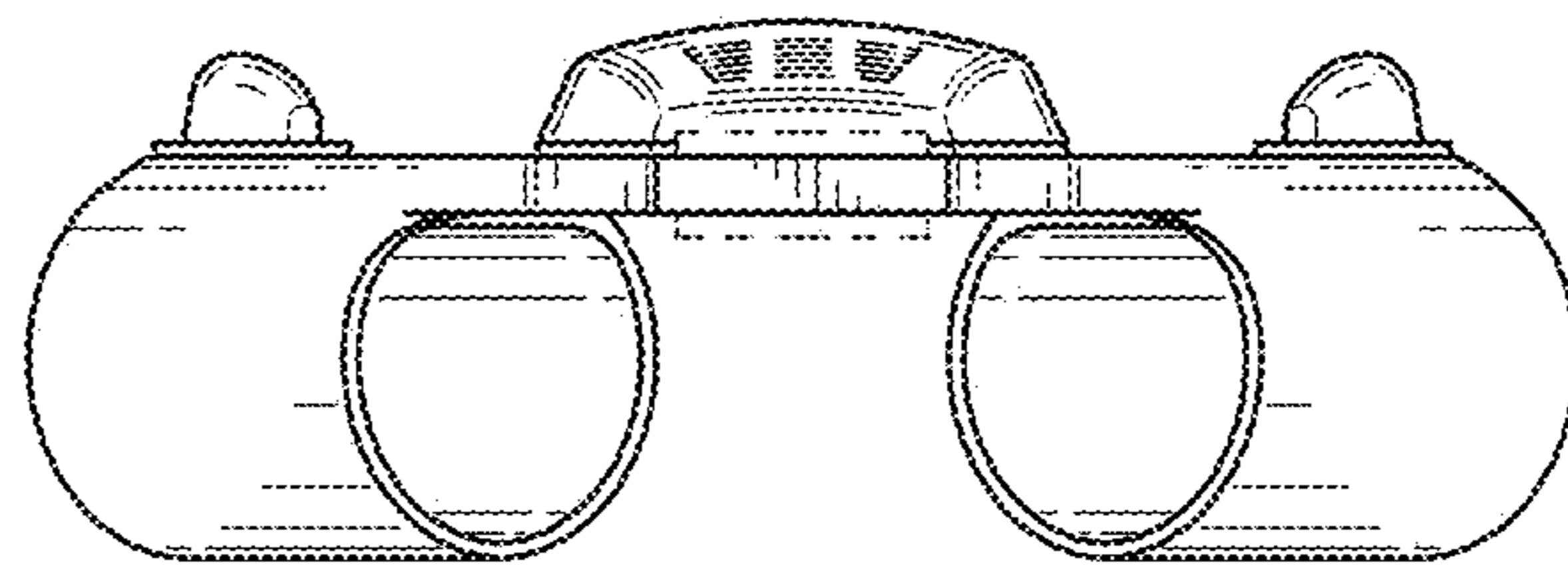


FIG. 4

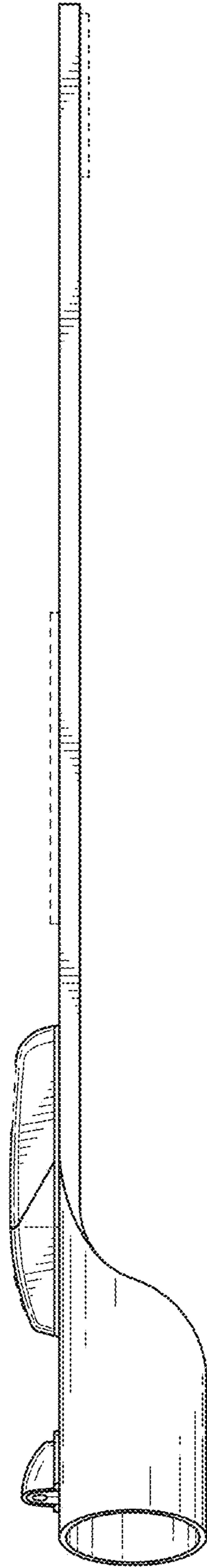


FIG. 5

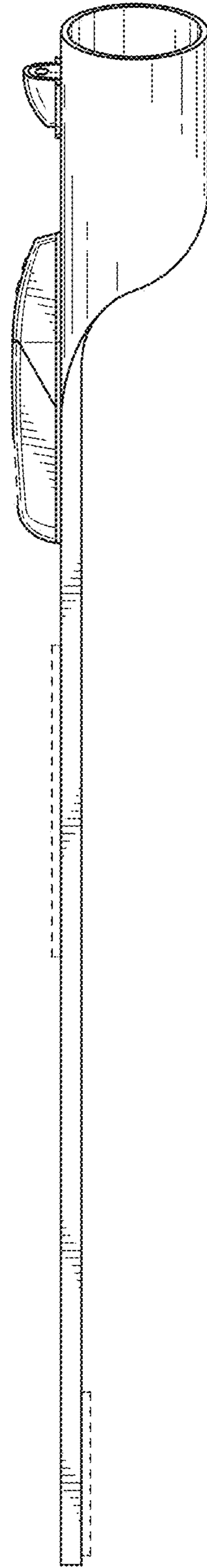


FIG. 6

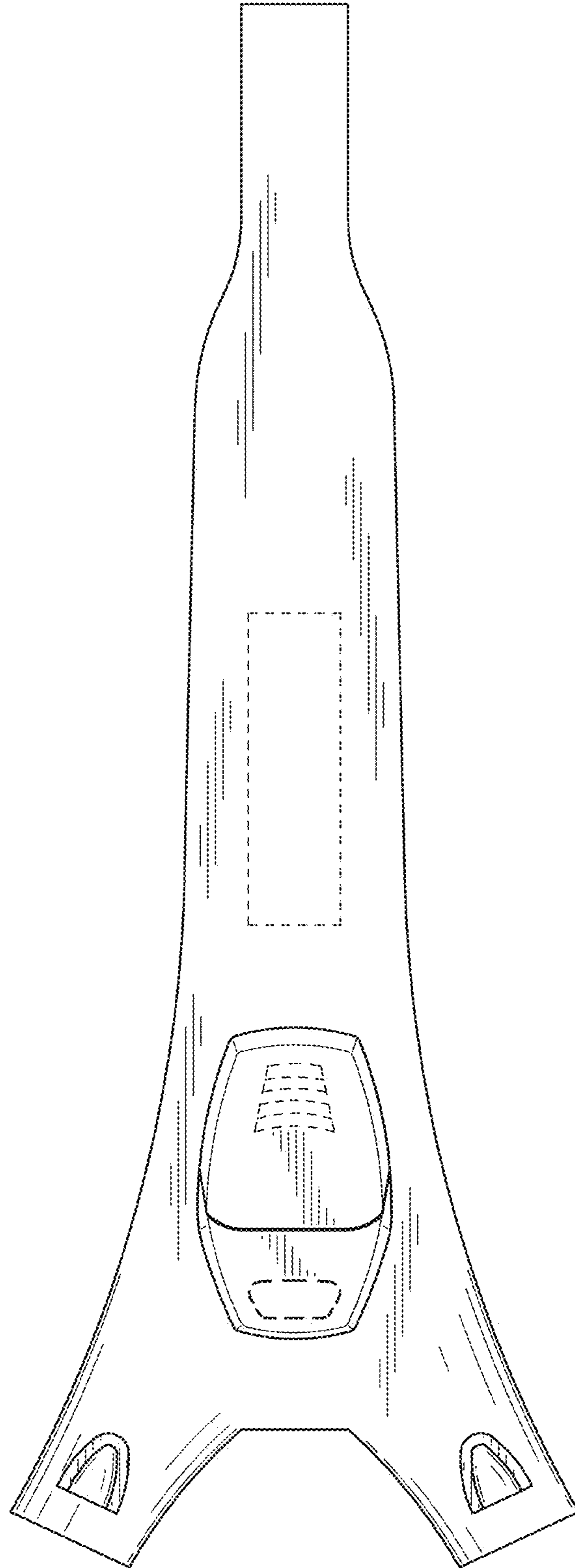


FIG. 7

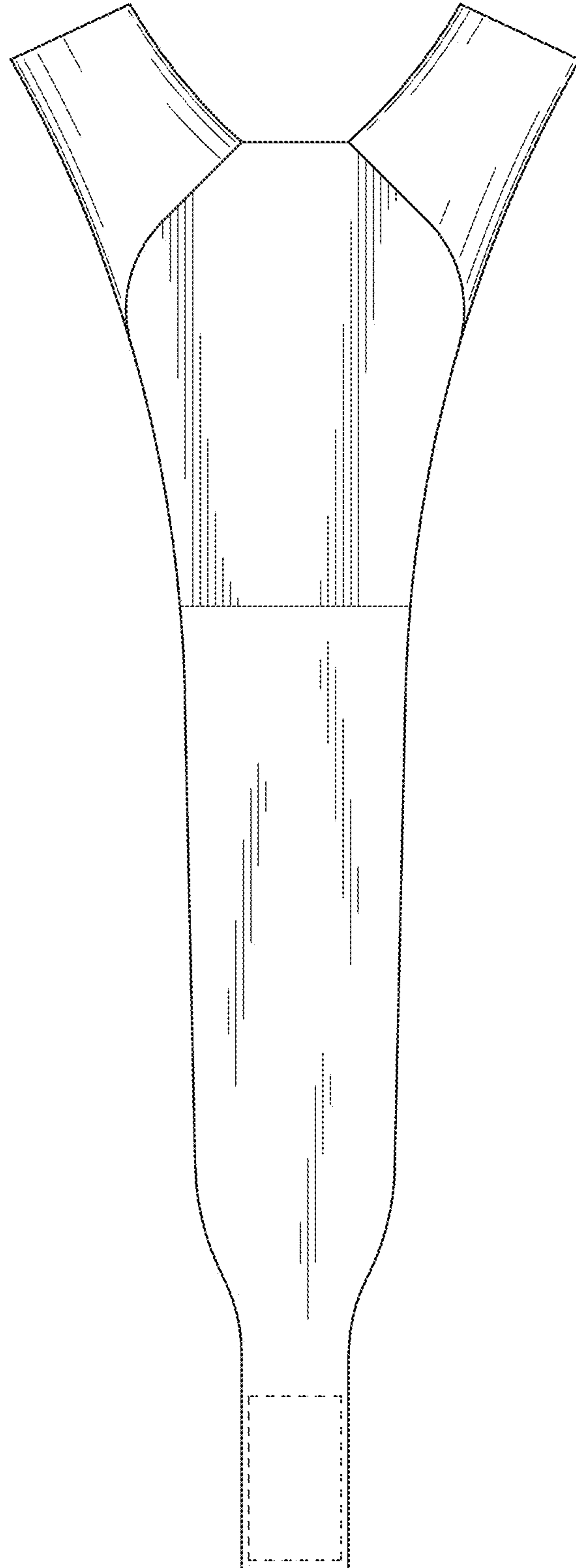


FIG. 8

