



US00D893782S

(12) **United States Design Patent** (10) **Patent No.:** **US D893,782 S**
Jeong et al. (45) **Date of Patent:** **** Aug. 18, 2020**

(54) **HEAD LAMP FOR AN AUTOMOBILE**

(71) Applicants: **Kia Motors Corporation**, Seoul (KR);
Hyundai Motor Company, Seoul (KR)

(72) Inventors: **Da Young Jeong**, Seongnam-si (KR);
Jae Min Choi, Cheongju-si (KR); **Jun Ho Kim**, Uiwang-si (KR); **Yu Ra Cha**, Seoul (KR)

(73) Assignees: **Hyundai Motor Company**, Seoul (KR); **Kia Motors Corporation**, Seoul (KR)

(**) Term: **15 Years**

(21) Appl. No.: **35/507,242**

(22) Filed: **Feb. 15, 2019**

(80) **Hague Agreement Data**

Int. Filing Date: **Feb. 15, 2019**
 Int. Reg. No.: **DM/201214**
 Int. Reg. Date: **Feb. 15, 2019**
 Int. Reg. Pub. Date: **Aug. 16, 2019**

(30) **Foreign Application Priority Data**

Oct. 15, 2018 (KR) 30-2018-0047285

(51) **LOC (12) Cl.** **26-06**

(52) **U.S. Cl.**
USPC **D26/35**

(58) **Field of Classification Search**
 USPC D12/196; D26/28, 34, 35, 36
 CPC .. F21S 41/00; F21S 41/20; F21S 41/30; F21S 43/14; F21S 43/15; F21S 43/20
 See application file for complete search history.

(56) **References Cited**

U.S. PATENT DOCUMENTS

D173,677 S * 12/1954 Reid D26/35
 D750,817 S * 3/2016 Lin D26/28

D761,462 S * 7/2016 Lai D26/28
 D771,294 S * 11/2016 Tsai D26/28
 D771,852 S * 11/2016 Tsai D26/28
 D782,711 S * 3/2017 Dunshee D26/28
 D792,618 S * 7/2017 Wu D26/28
 D792,619 S * 7/2017 Wu D26/28
 D800,931 S * 10/2017 Lai D26/28
 D807,543 S * 1/2018 Lin D26/28
 D807,547 S * 1/2018 Lin D26/28
 D823,497 S * 7/2018 Kim D26/28
 D825,368 S * 8/2018 Kuo D10/114.1
 D827,884 S * 9/2018 Hannemann D26/28
 D835,311 S * 12/2018 Thomas D26/28
 D843,621 S * 3/2019 Yang D26/28
 D844,199 S * 3/2019 Lin D26/28
 D850,677 S * 6/2019 Lin D26/28
 D851,302 S * 6/2019 Lin D26/28
 D855,849 S * 8/2019 Lin D26/28
 D866,822 S * 11/2019 He D26/28
 D868,323 S * 11/2019 Kim D26/28
 D868,324 S * 11/2019 Kim D26/28
 D884,227 S * 5/2020 He D26/28

* cited by examiner

Primary Examiner — Robert M. Spear
 (74) *Attorney, Agent, or Firm* — Mintz Levin Cohn Ferris Glovsky and Popeo, P.C.; Peter F. Corless; Carolina E. Säve

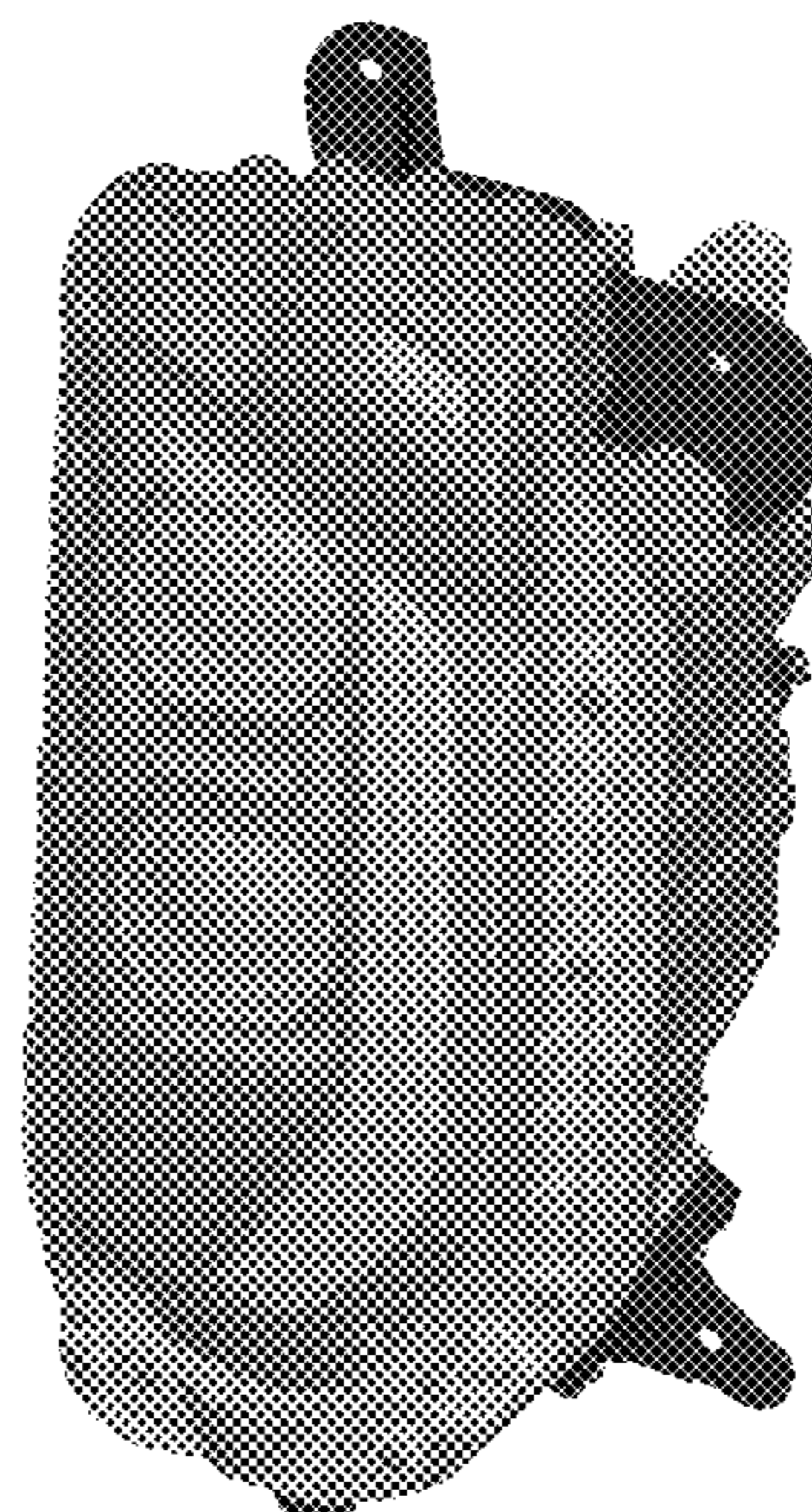
(57) **CLAIM**

The ornamental design for head lamp for an automobile, as shown and described.

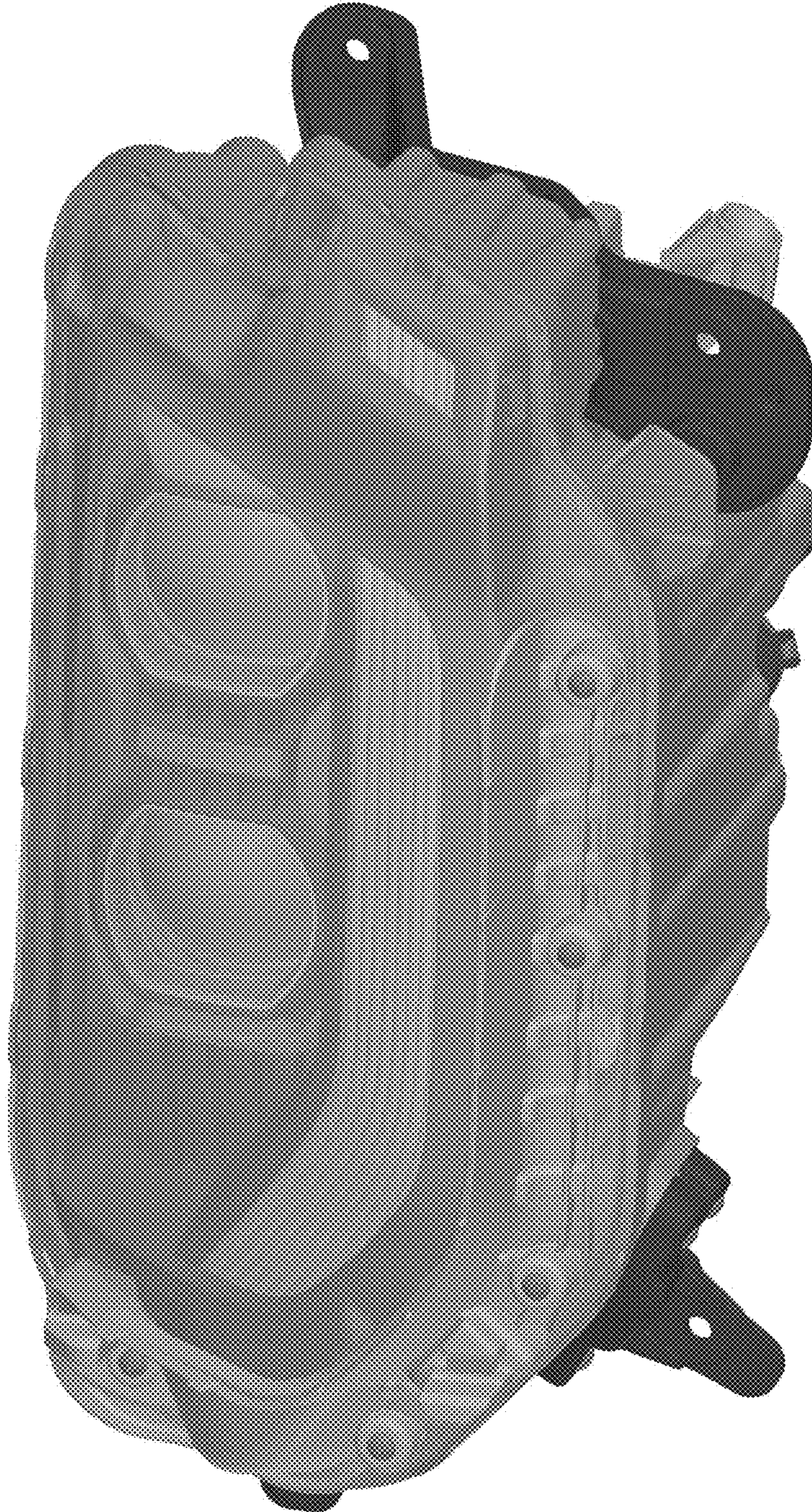
DESCRIPTION

1. Head lamp for an automobile
- 1.1 : Perspective
- 1.2 : Front
- 1.3 : Back
- 1.4 : Left
- 1.5 : Right
- 1.6 : Top
- 1.7 : Bottom

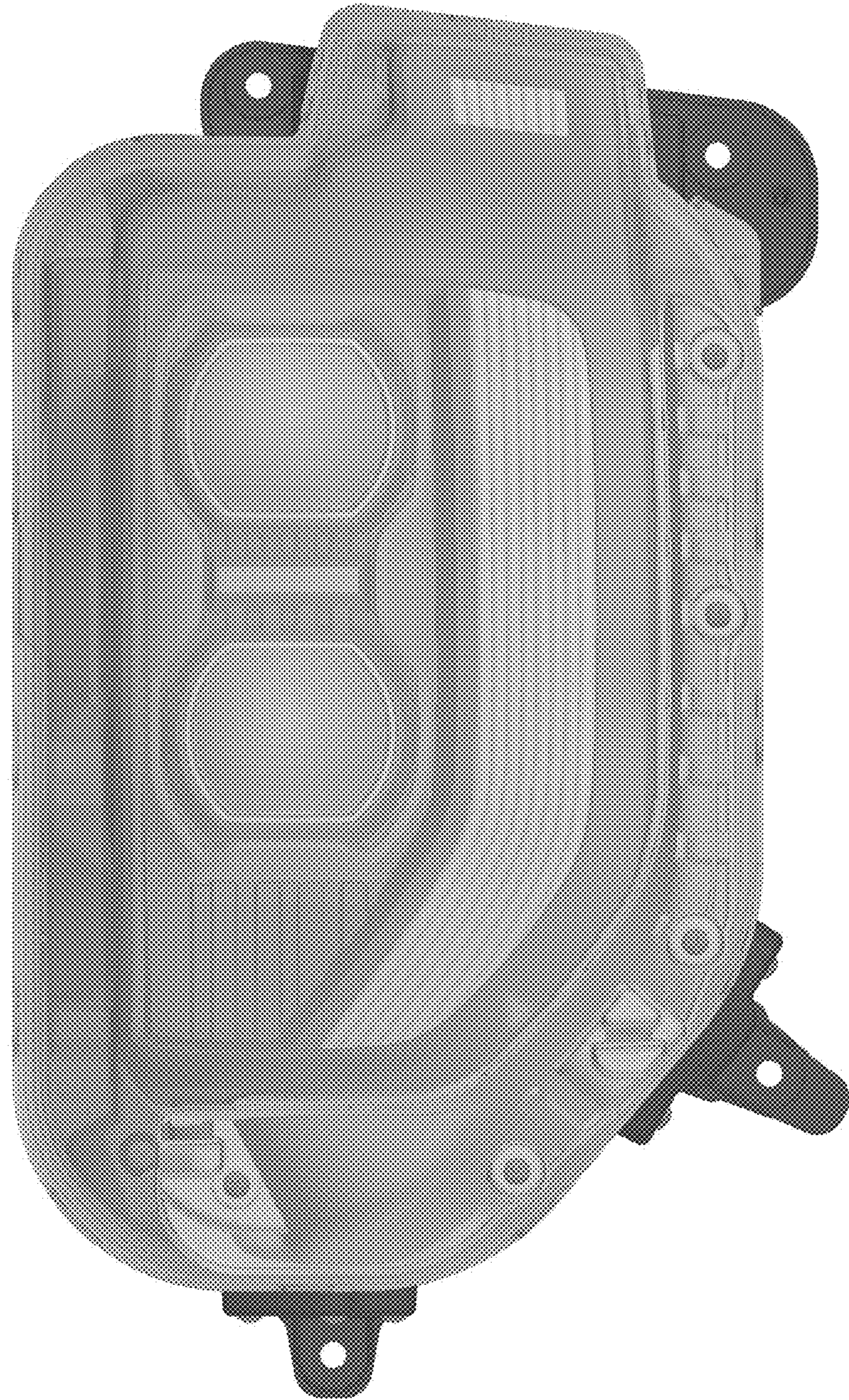
1 Claim, 7 Drawing Sheets



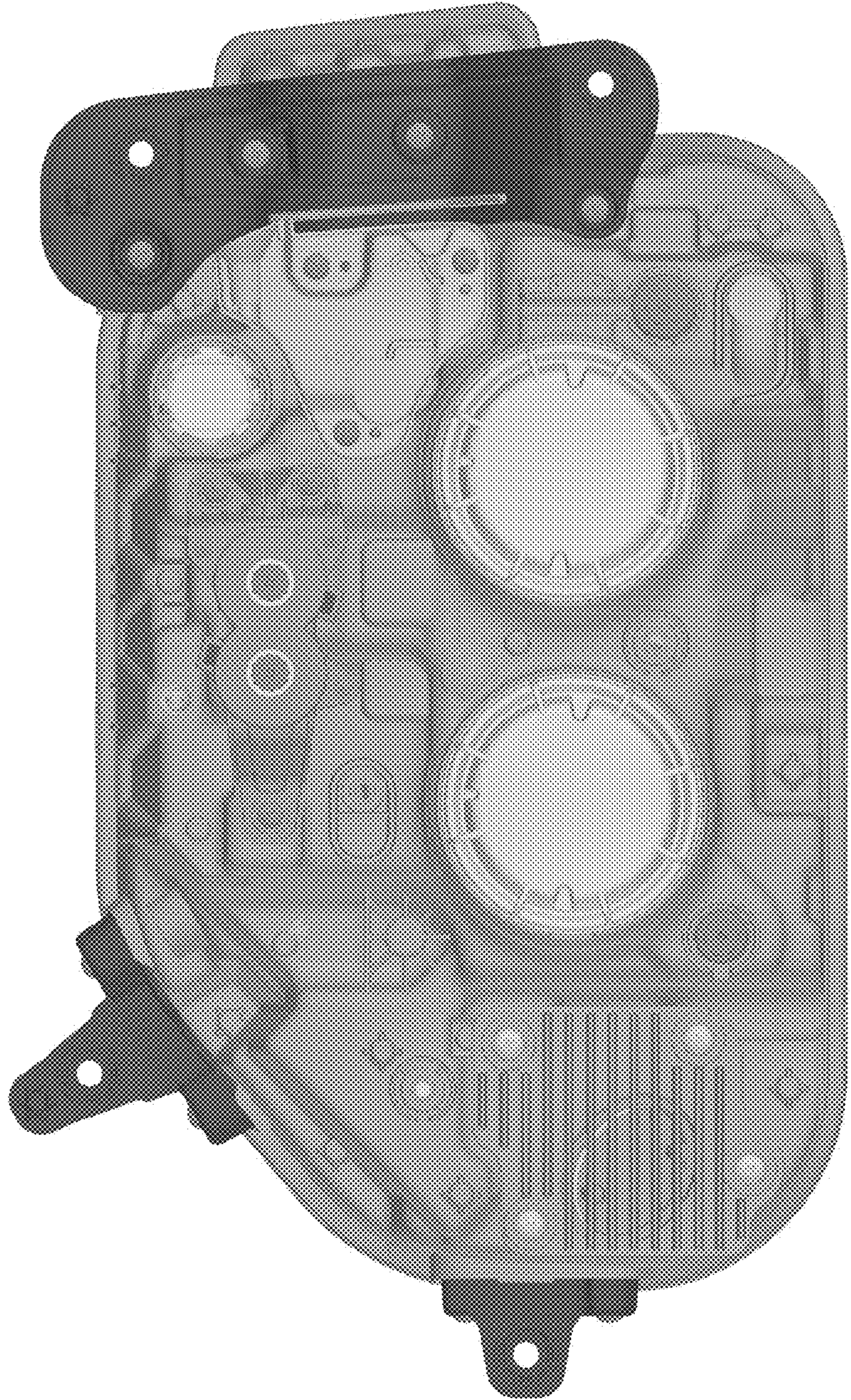
1.1



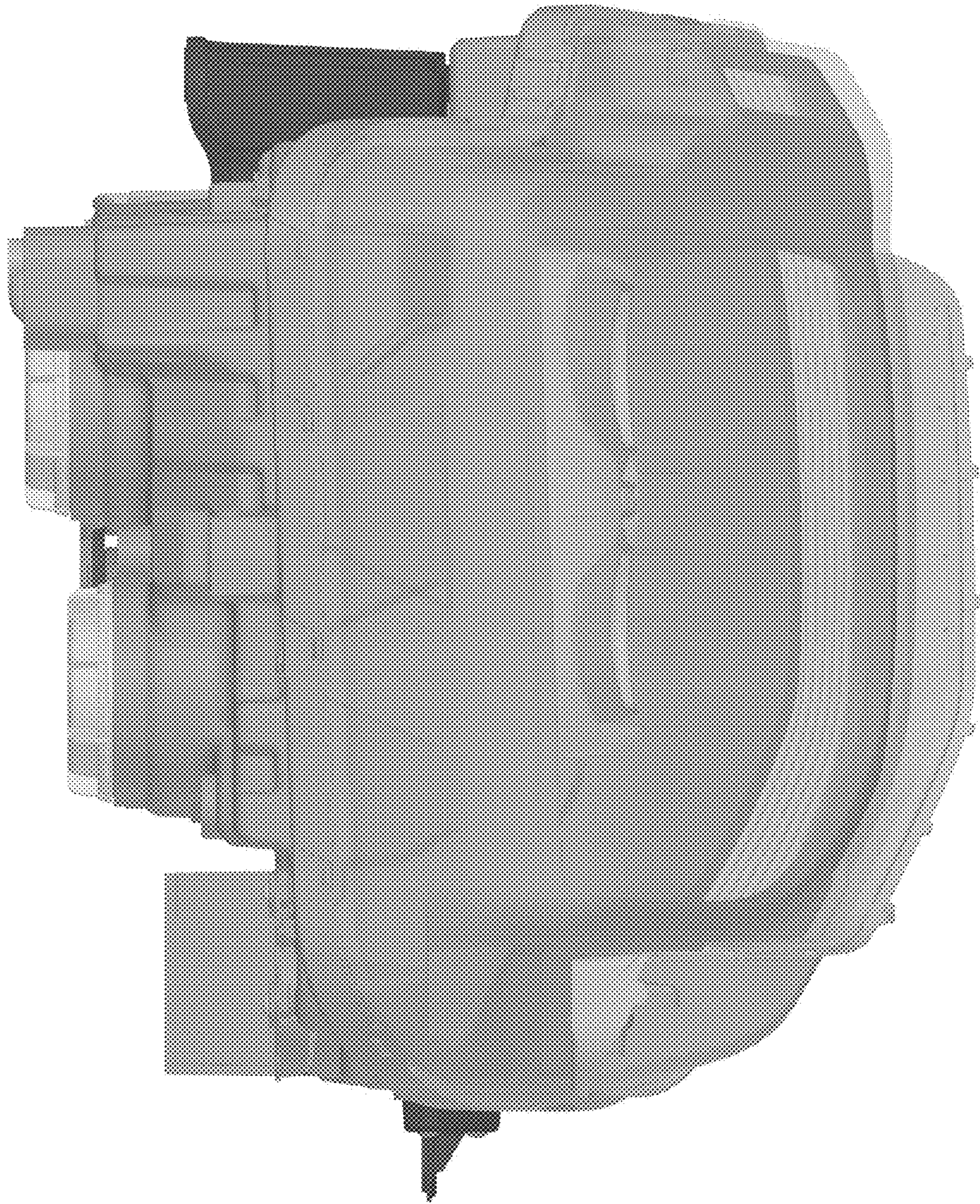
1.2



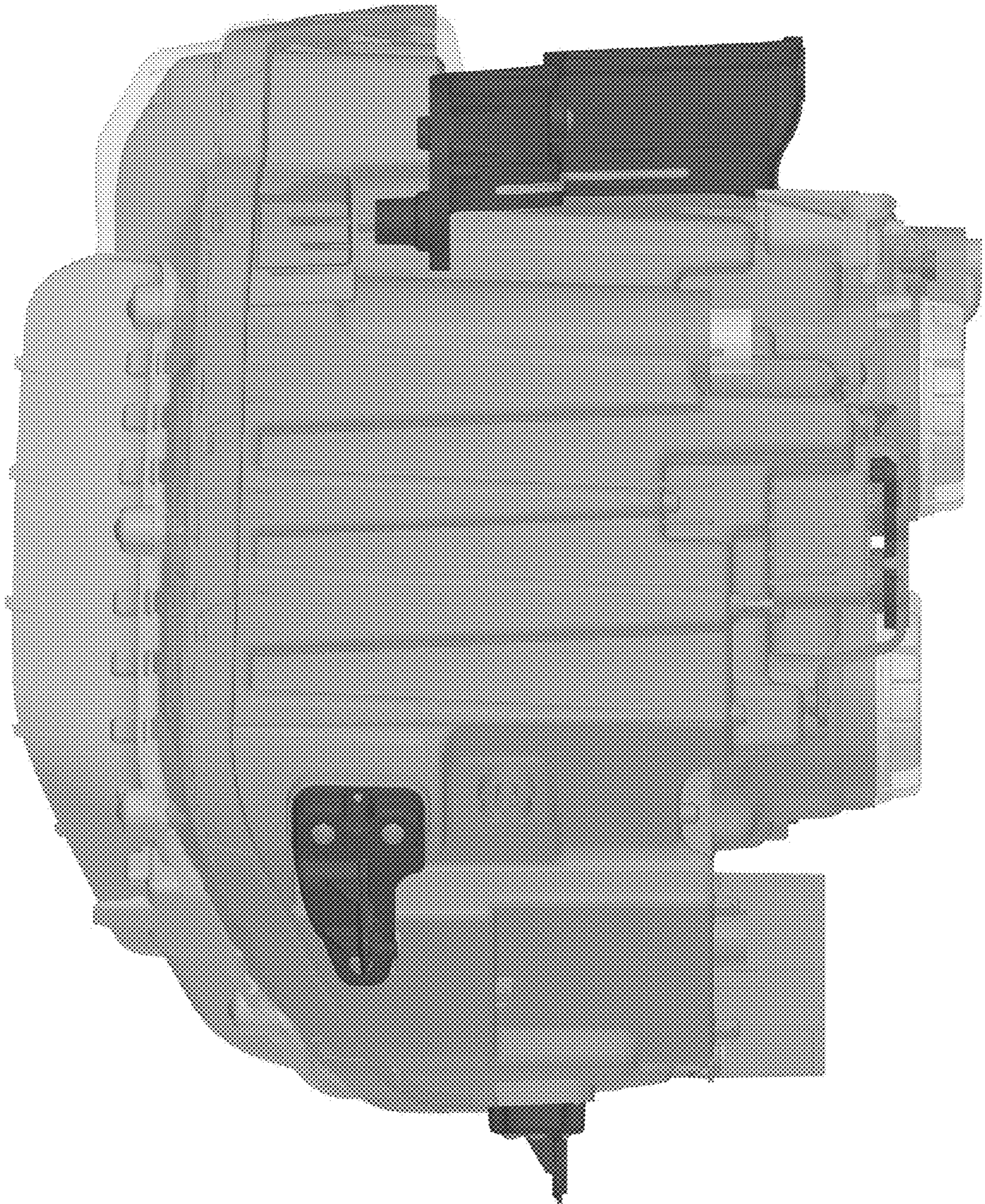
1.3



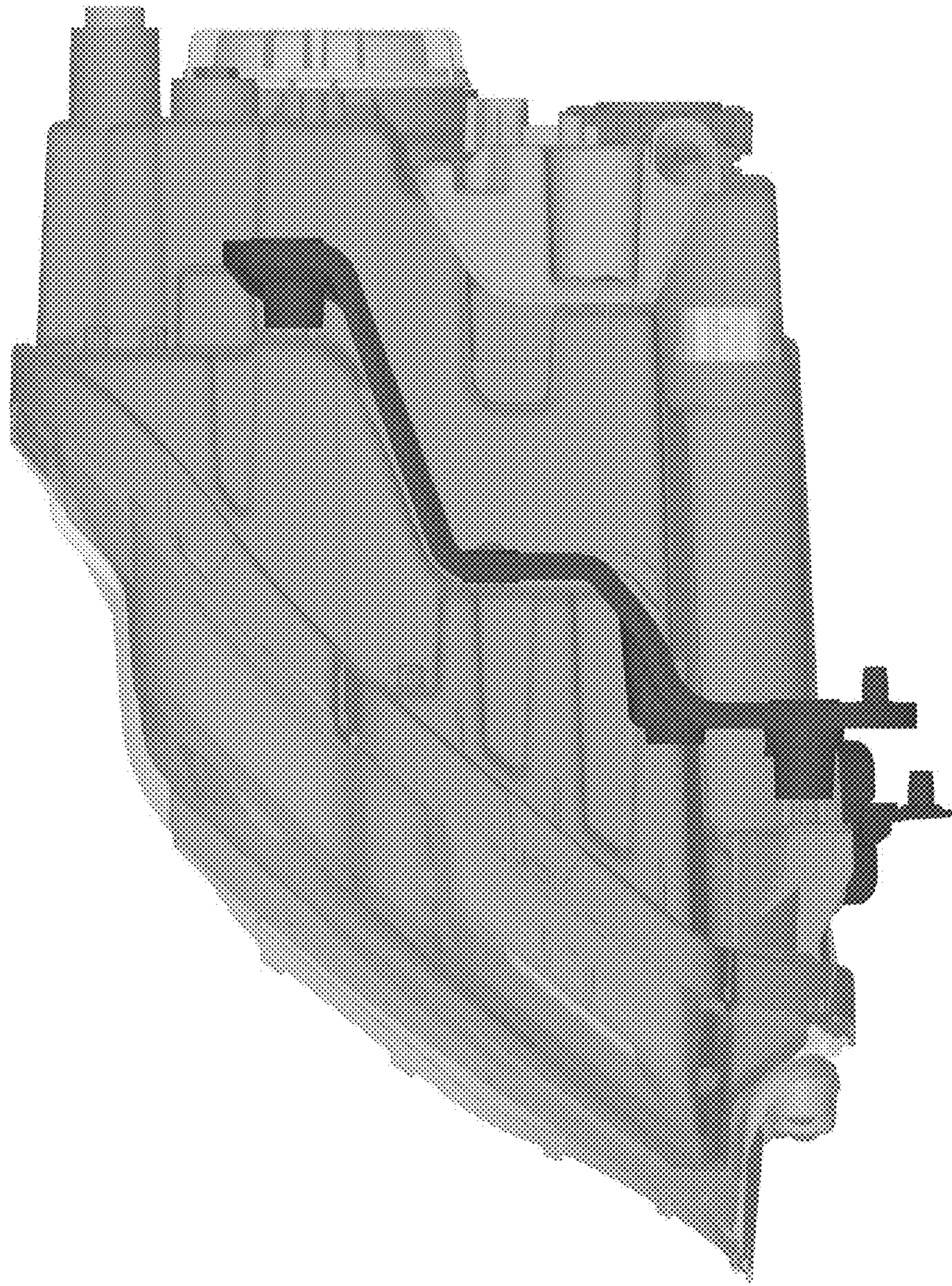
1.4



1.5



1.6



1.7

