



US00D893781S

(12) **United States Design Patent** (10) **Patent No.:** **US D893,781 S**
Jeong et al. (45) **Date of Patent:** **** Aug. 18, 2020**

(54) **REAR COMBINATION LAMP FOR AN AUTOMOBILE**
(71) Applicants: **Kia Motors Corporation**, Seoul (KR); **Hyundai Motor Company**, Seoul (KR)
(72) Inventors: **Da Young Jeong**, Seongnam-si (KR); **Jae Min Choi**, Cheongju-si (KR); **Jun Ho Kim**, Uiwang-si (KR); **Yu Ra Cha**, Seoul (KR)

D750,291 S * 2/2016 Platto D26/28
D750,292 S * 2/2016 Platto D26/28
D764,690 S * 8/2016 Lai D26/28
D769,478 S * 10/2016 Gorsten Schuenemann .. D26/28
D770,650 S * 11/2016 Lin D26/28
D792,618 S * 7/2017 Wu D26/28
D794,845 S * 8/2017 Sriwirat D26/139
D805,665 S * 12/2017 Tsai D26/28
D812,274 S * 3/2018 Wu D26/28
D823,497 S * 7/2018 Kim D26/28
D877,946 S * 3/2020 DiCanzio D26/28

(73) Assignees: **Hyundai Motor Company**, Seoul (KR); **Kia Motors Corporation**, Seoul (KR)

(**) Term: **15 Years**

(21) Appl. No.: **35/507,239**

(22) Filed: **Feb. 15, 2019**

(80) **Hague Agreement Data**

Int. Filing Date: **Feb. 15, 2019**
Int. Reg. No.: **DM/201241**
Int. Reg. Date: **Feb. 15, 2019**
Int. Reg. Pub. Date: **Aug. 16, 2019**

(30) **Foreign Application Priority Data**

Oct. 15, 2018 (KR) 30-2018-0047287

(51) **LOC (12) Cl.** **26-06**

(52) **U.S. Cl.**
USPC **D26/35**

(58) **Field of Classification Search**
USPC D12/196; D26/28, 34, 35, 36
CPC .. F21S 41/00; F21S 41/20; F21S 41/30; F21S 43/14; F21S 43/15; F21S 43/20
See application file for complete search history.

(56) **References Cited**

U.S. PATENT DOCUMENTS

D744,678 S * 12/2015 Lai D26/28
D745,725 S * 12/2015 McMahan D26/28

OTHER PUBLICATIONS

Screenshot: 2020 Hyundai Palisade Tail Light Assembly. Undated; one page. Found online May 18, 2020 at <https://wildsau.ca/2019/12/review-2020-hyundai-palisade/> (Year: 2020).*

* cited by examiner

Primary Examiner — Robert M. Spear

(74) *Attorney, Agent, or Firm* — Mintz Levin Cohn Ferris Glovsky and Popeo, P.C.; Peter F. Corless; Carolina E. Säve

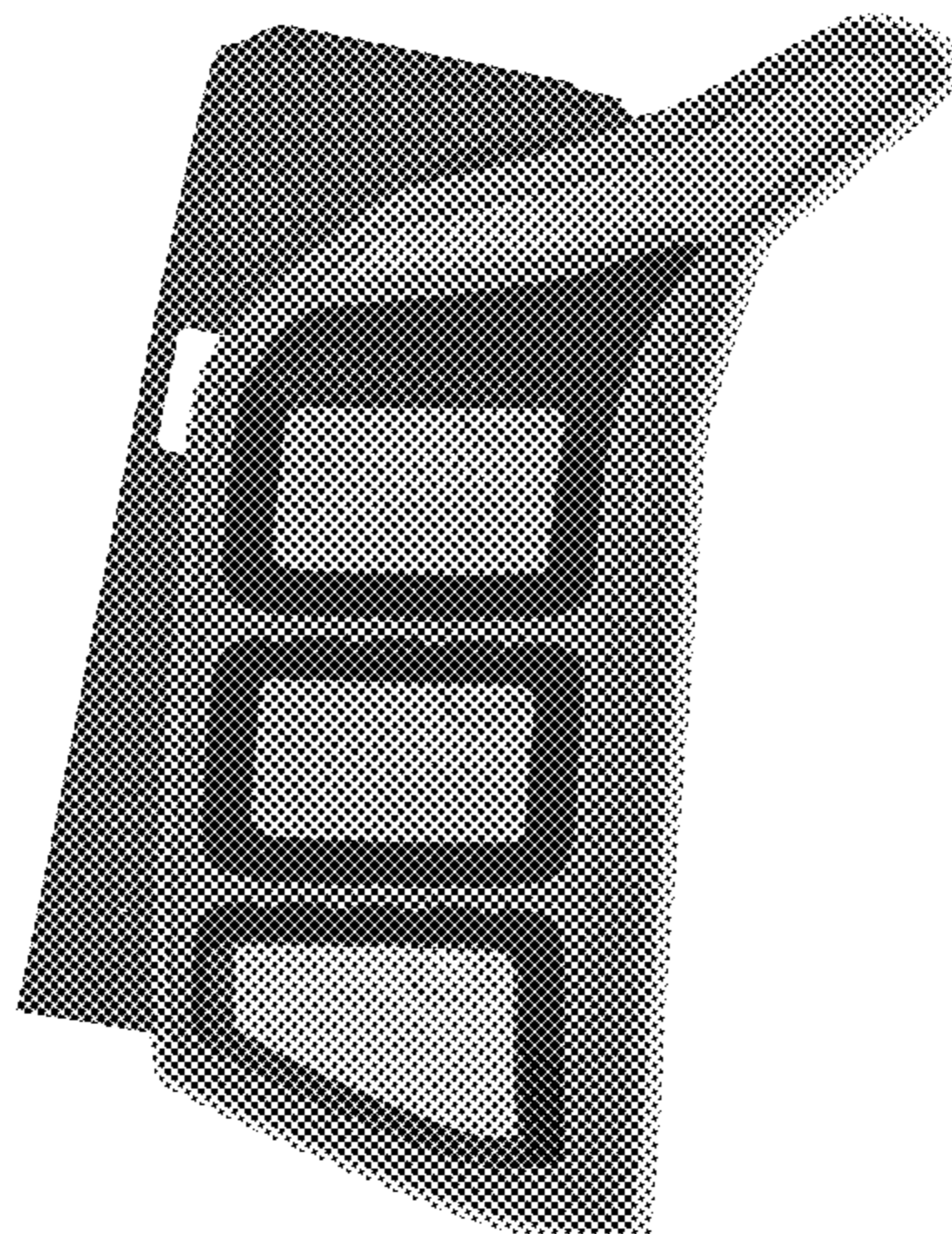
(57) **CLAIM**

The ornamental design for rear combination lamp for an automobile, as shown and described.

DESCRIPTION

- 1. Rear combination lamp for an automobile
- 1.1 : Perspective
- 1.2 : Front
- 1.3 : Back
- 1.4 : Left
- 1.5 : Right
- 1.6 : Top
- 1.7 : Bottom

1 Claim, 7 Drawing Sheets



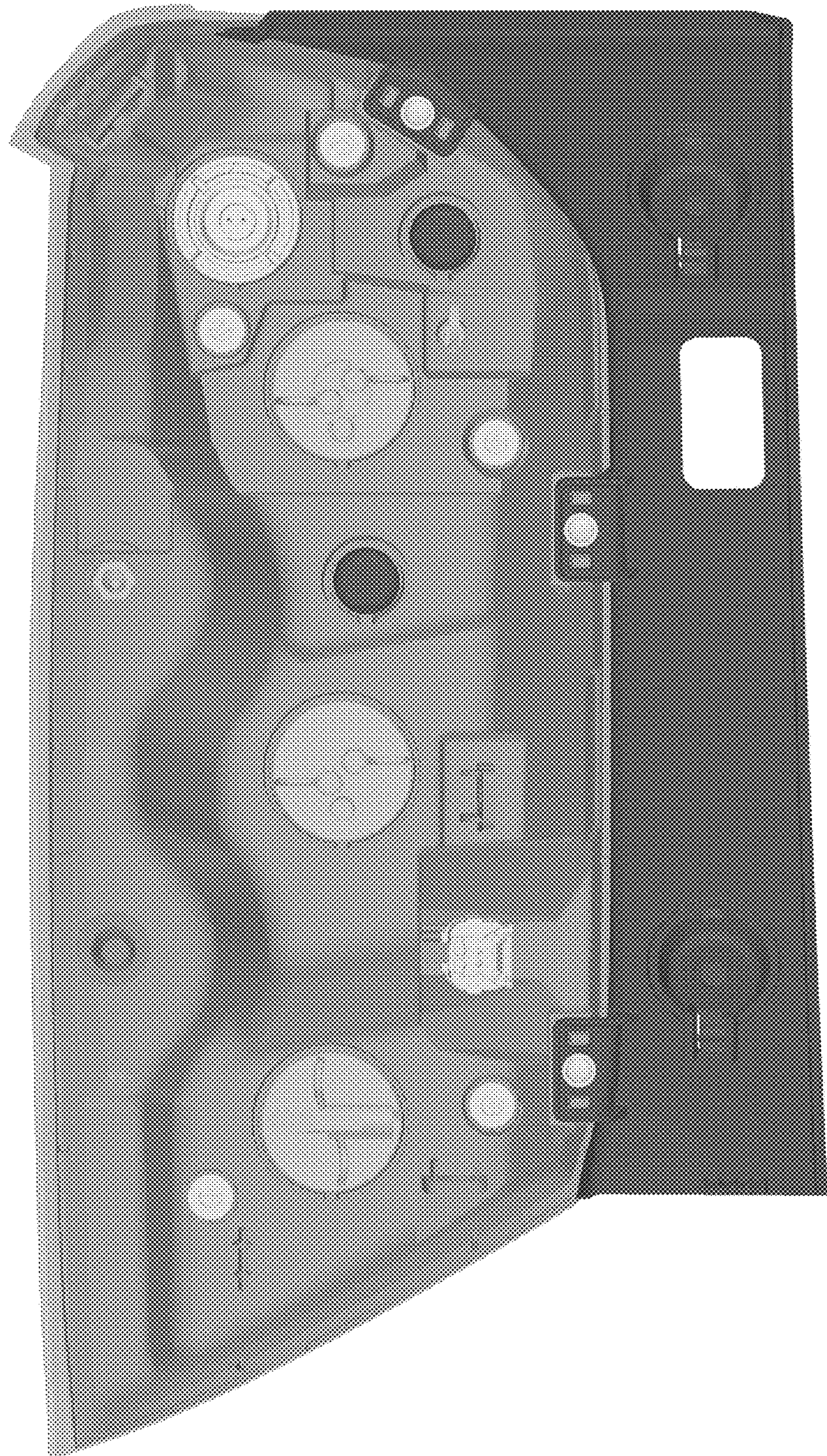
1.1



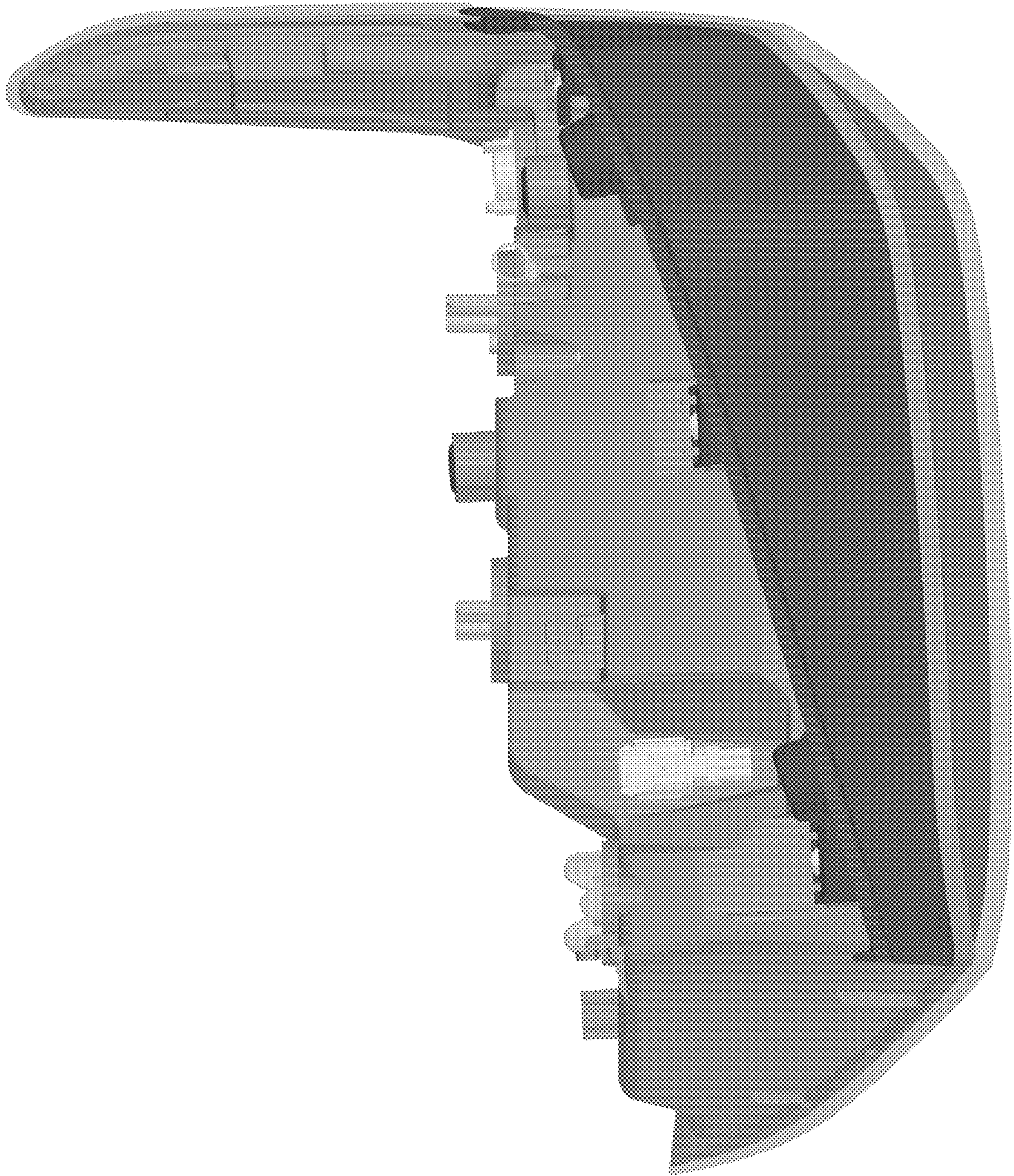
1.2



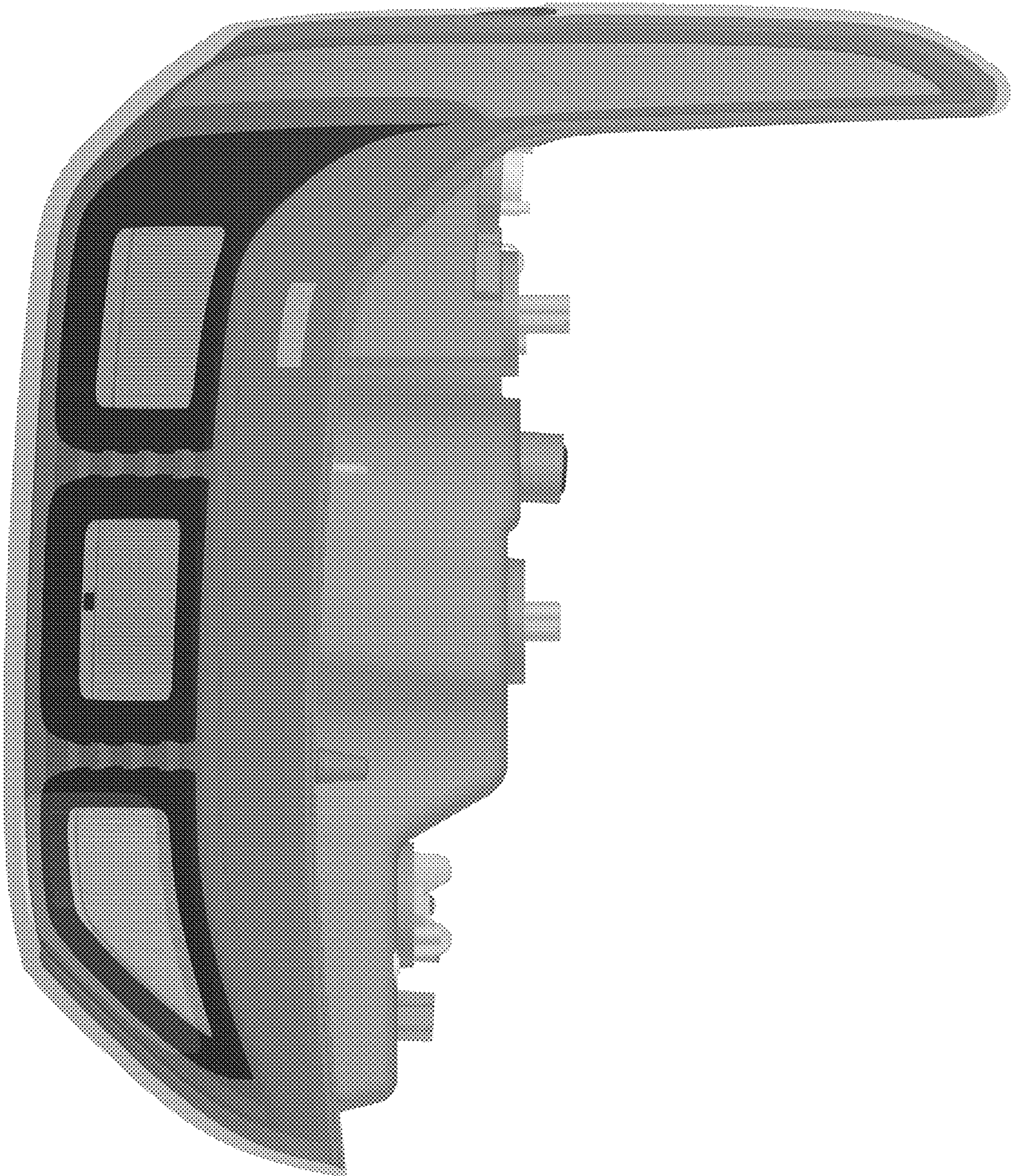
1.3



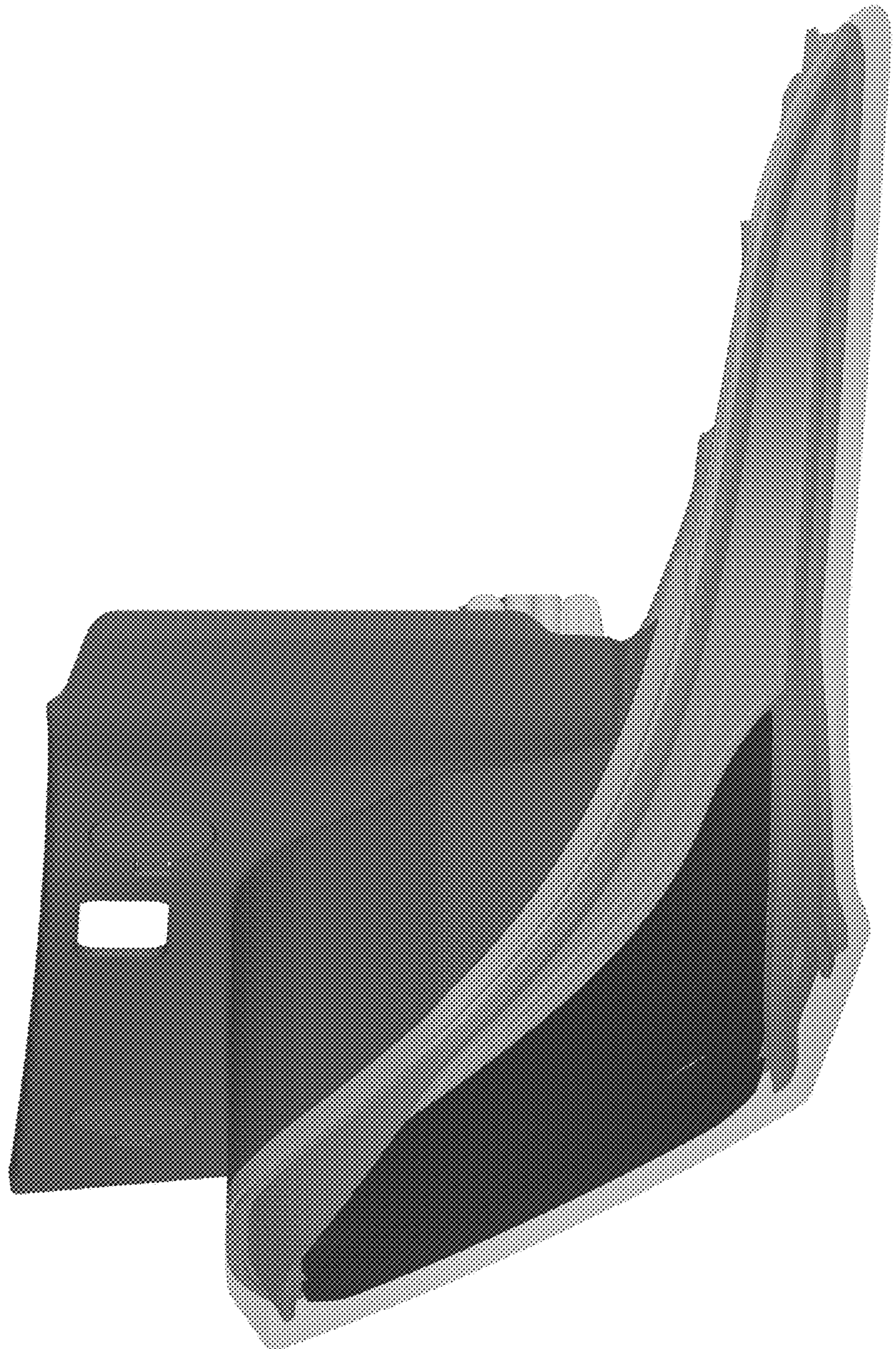
1.4



1.5



1.6



1.7

