

US00D893780S

(12) **United States Design Patent** (10) **Patent No.:** **US D893,780 S**  
**Jeong et al.** (45) **Date of Patent:** **\*\* Aug. 18, 2020**

- (54) **REAR COMBINATION LAMP FOR AN AUTOMOBILE**
- (71) Applicants: **Kia Motors Corporation**, Seoul (KR); **Hyundai Motor Company**, Seoul (KR)
- (72) Inventors: **Da Young Jeong**, Seongnam-si (KR); **Jae Min Choi**, Cheongju-si (KR); **Jun Ho Kim**, Uiwang-si (KR); **Yu Ra Cha**, Seoul (KR)
- (73) Assignees: **Hyundai Motor Company**, Seoul (KR); **Kia Motors Corporation**, Seoul (KR)

D606,214 S *	12/2009	Lamm .....	D26/28
D722,711 S *	2/2015	Gotschke .....	D26/28
D738,009 S *	9/2015	Gorsten Schuenemann ..	D26/28
D738,010 S *	9/2015	Futschik .....	D26/28
D754,892 S *	4/2016	Hatton .....	D26/28
D770,653 S *	11/2016	Lai .....	D26/28
D773,080 S *	11/2016	Liu .....	D26/28
D776,847 S *	1/2017	Wolff .....	D26/28
D777,956 S *	1/2017	Schell .....	D26/28
D778,469 S *	2/2017	Ito .....	D26/28
D778,471 S *	2/2017	Ito .....	D26/28
D821,616 S *	6/2018	Chung .....	D26/28
D822,240 S *	7/2018	Liu .....	D26/28
D856,552 S *	8/2019	Lucas .....	D26/28

- (\*\*) Term: **15 Years**
- (21) Appl. No.: **35/507,231**
- (22) Filed: **Feb. 15, 2019**
- (80) **Hague Agreement Data**  
Int. Filing Date: **Feb. 15, 2019**  
Int. Reg. No.: **DM/201215**  
Int. Reg. Date: **Feb. 15, 2019**  
Int. Reg. Pub. Date: **Aug. 16, 2019**

OTHER PUBLICATIONS

Screenshot: 2019 Hyundai Santa Fe XL; Image 13 of 68. Undated; one page. Found online May 18, 2020 at <https://www.kbb.com/hyundai/santa-fe-xl/> (Year: 2020).\*

\* cited by examiner

*Primary Examiner* — Robert M. Spear  
(74) *Attorney, Agent, or Firm* — Mintz Levin Cohn Ferris Glovsky and Popeo, P.C.; Peter F. Corless; Carolina E. Säve

- (30) **Foreign Application Priority Data**  
Oct. 15, 2018 (KR) ..... 30-2018-0047289
- (51) **LOC (12) Cl.** ..... **26-06**
- (52) **U.S. Cl.**  
USPC ..... **D26/28**
- (58) **Field of Classification Search**  
USPC ..... D12/196; D26/28, 34, 35, 36  
CPC .. F21S 41/00; F21S 41/20; F21S 41/30; F21S 43/14; F21S 43/15; F21S 43/20  
See application file for complete search history.

(57) **CLAIM**

The ornamental design for rear combination lamp for an automobile, as shown and described.

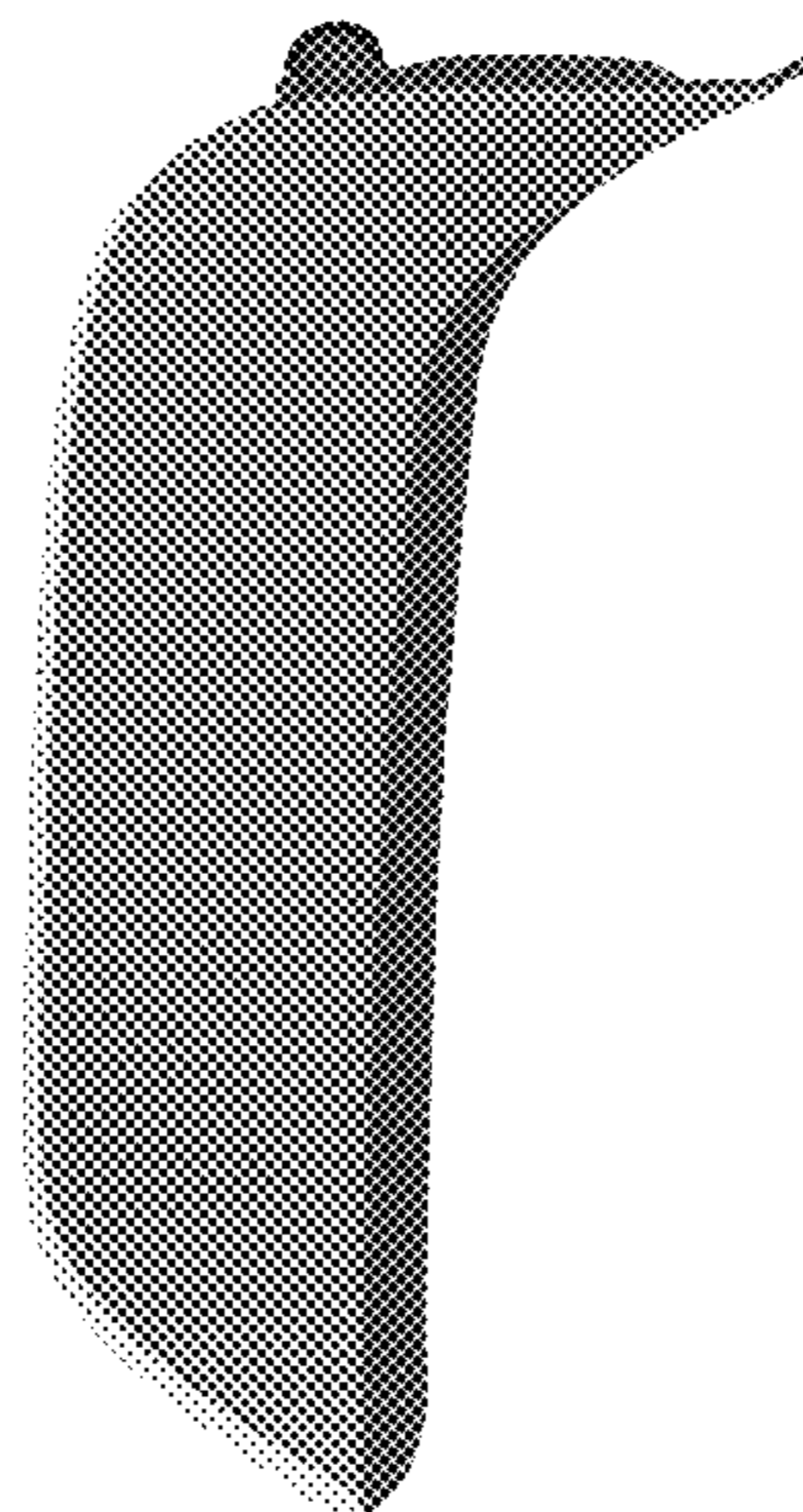
- (56) **References Cited**  
U.S. PATENT DOCUMENTS

D287,290 S *	12/1986	Kato .....	D26/35
D572,392 S *	7/2008	Gale .....	D26/28

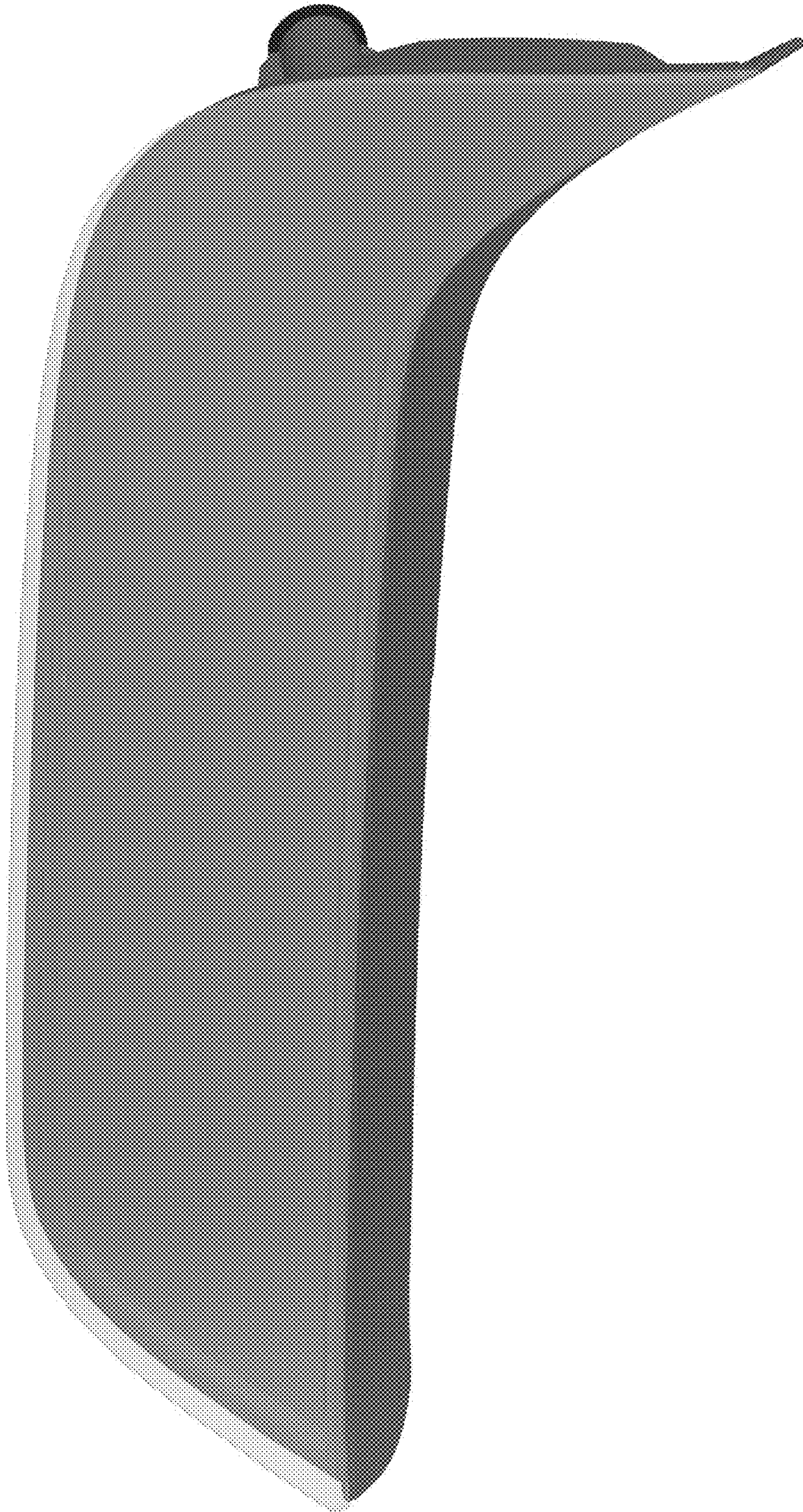
**DESCRIPTION**

- 1. Rear combination lamp for an automobile
- 1.1 : Perspective
- 1.2 : Front
- 1.3 : Back
- 1.4 : Left
- 1.5 : Right
- 1.6 : Top
- 1.7 : Bottom

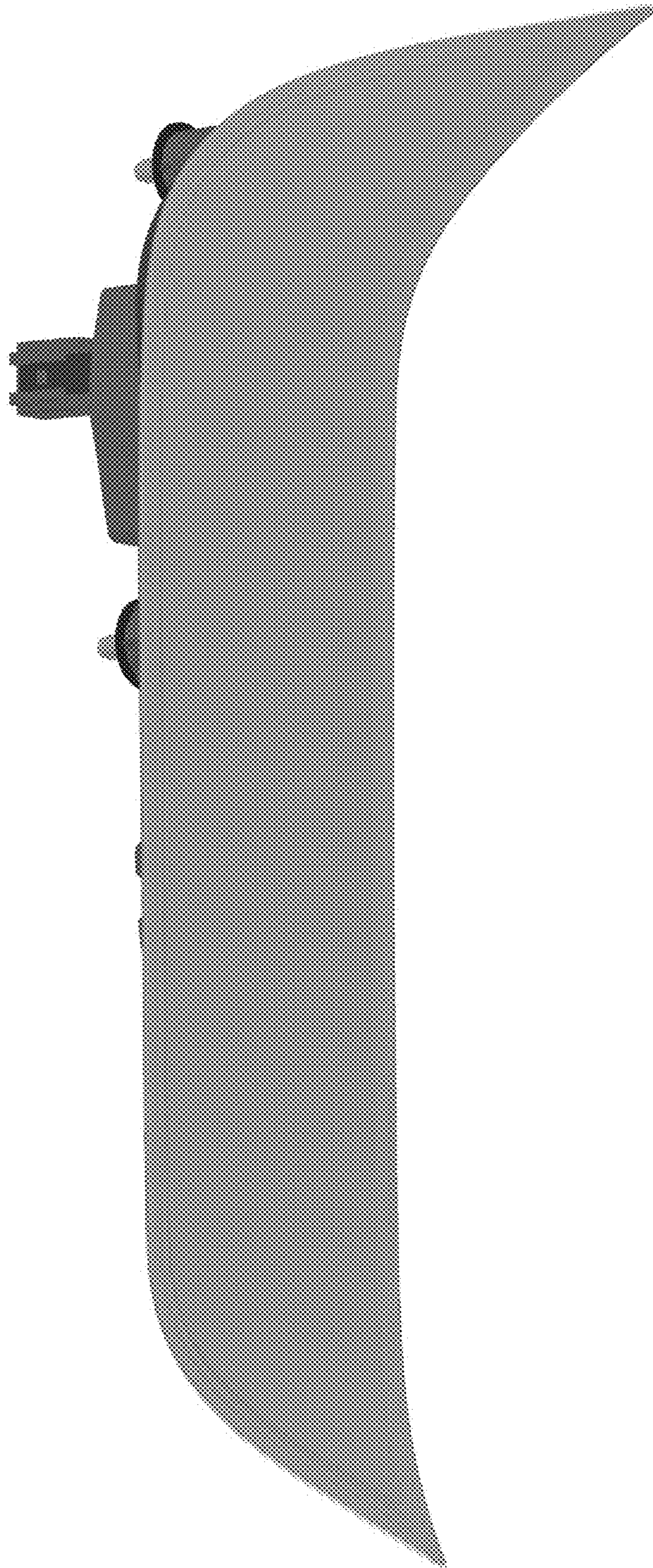
**1 Claim, 7 Drawing Sheets**



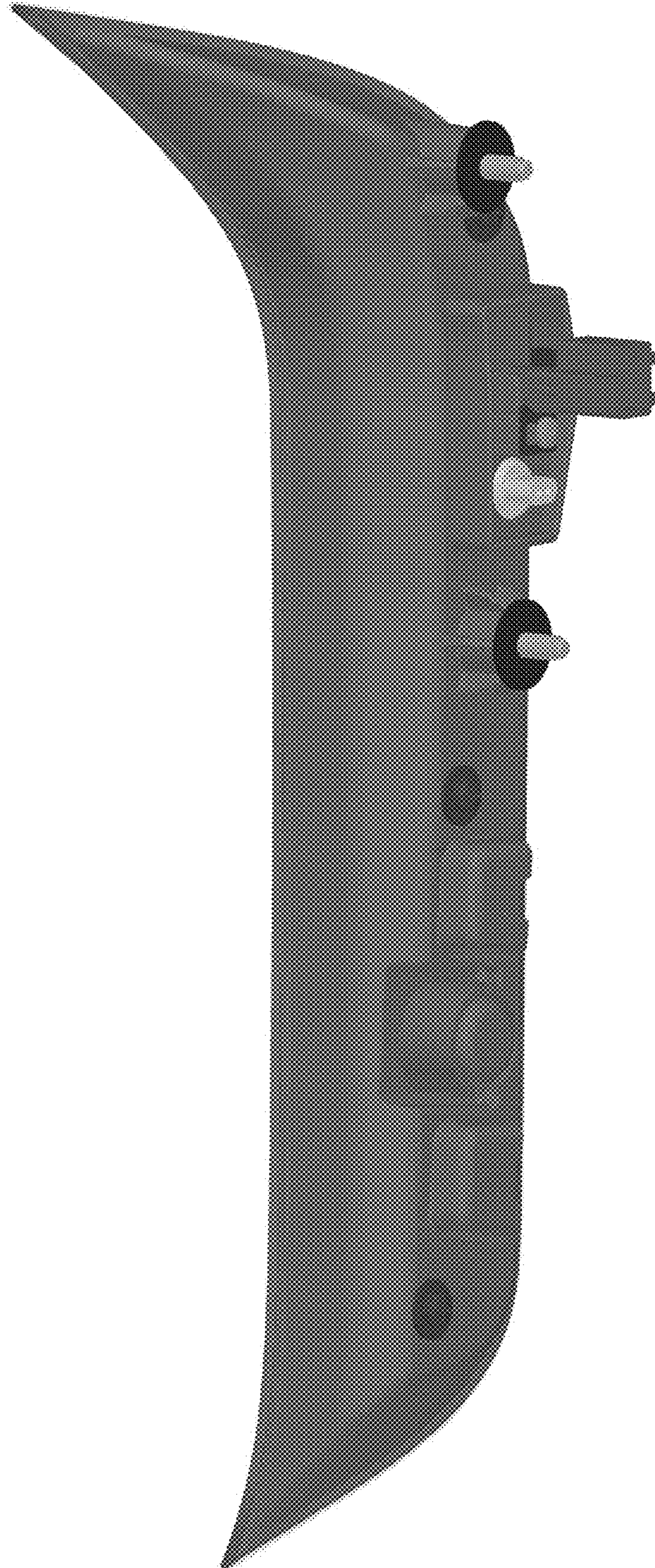
1.1



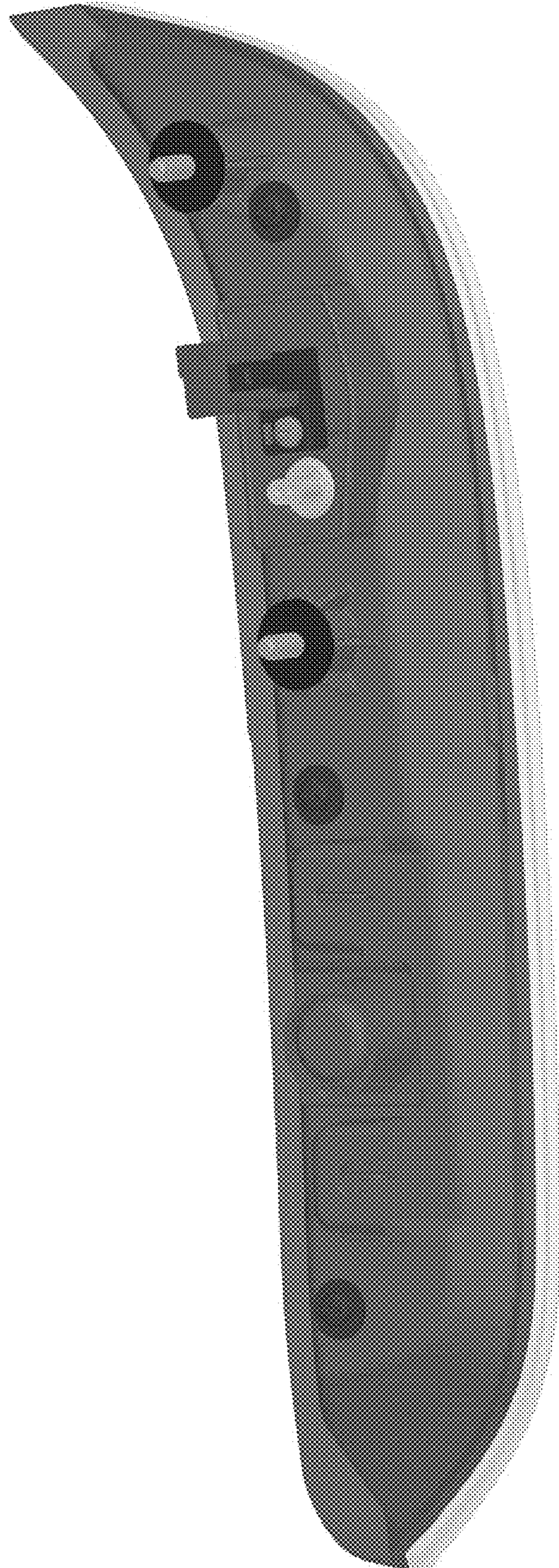
1.2



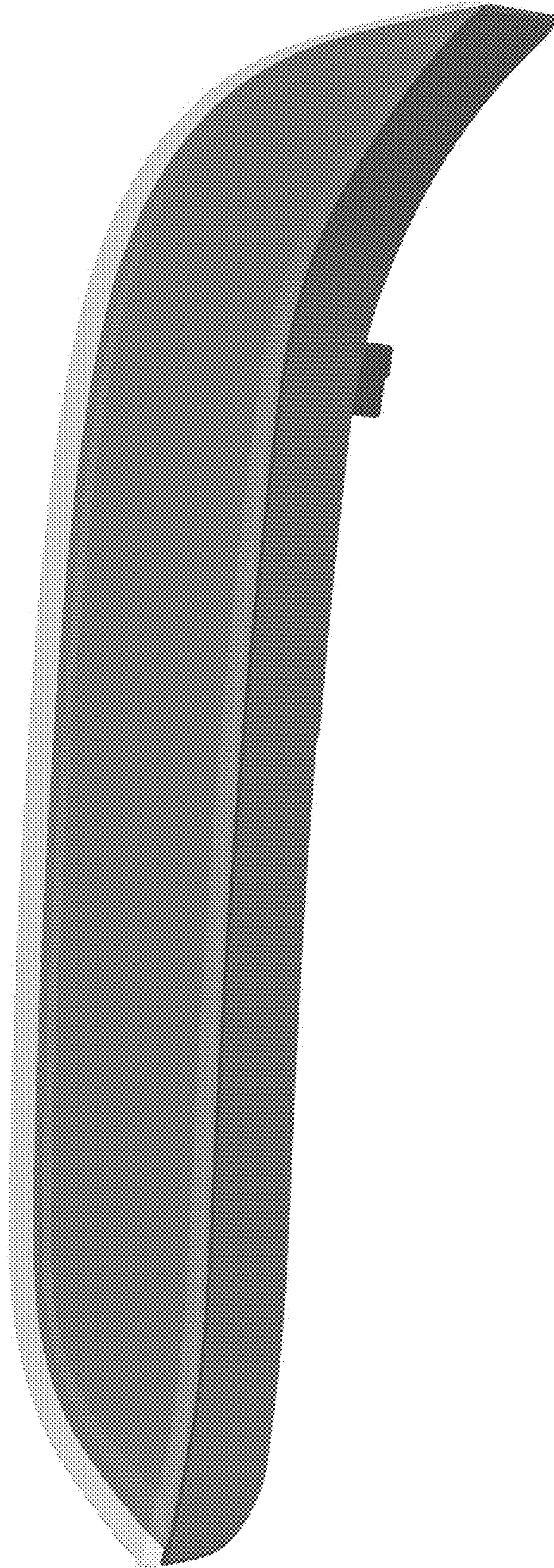
1.3



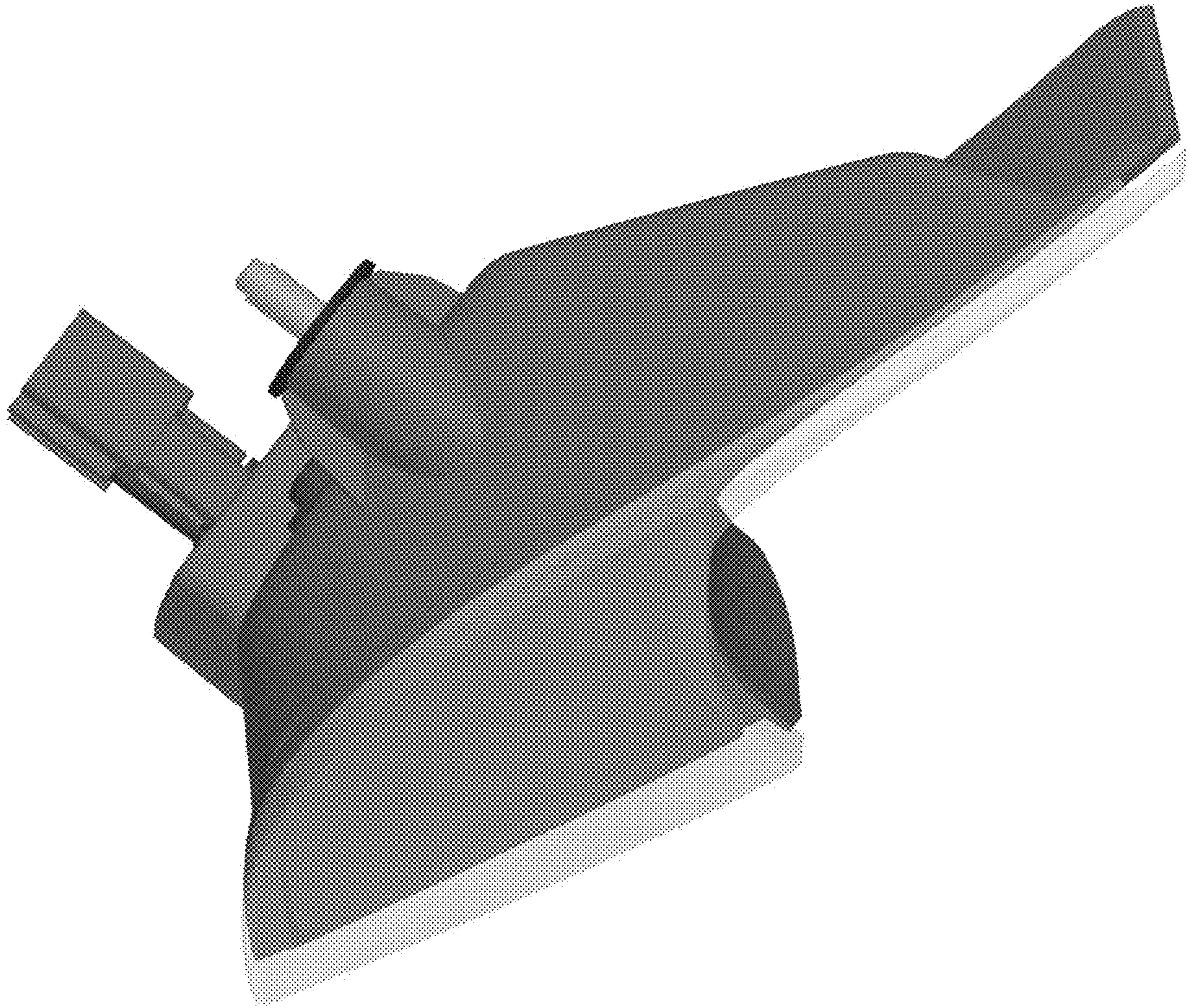
1.4



1.5



1.6



1.7

