



US00D893775S

(12) **United States Design Patent**  
**Lin**

(10) **Patent No.:** **US D893,775 S**

(45) **Date of Patent:** **\*\* Aug. 18, 2020**

(54) **AUTOMOBILE BACK LIGHT**

(71) Applicant: **Chi-Chung Lin**, Hsinchu (TW)

(72) Inventor: **Chi-Chung Lin**, Hsinchu (TW)

(\*\*) Term: **15 Years**

(21) Appl. No.: **29/691,557**

(22) Filed: **May 17, 2019**

(51) **LOC (12) Cl.** ..... **26-06**

(52) **U.S. Cl.**  
USPC ..... **D26/28**

(58) **Field of Classification Search**  
USPC ..... D26/28, 29, 30, 31, 32, 33, 34, 35, 36  
CPC ..... F21S 48/00; F21S 48/10; F21S 48/115;  
F21S 48/225; F21S 48/1233; F21S  
48/1266; F21S 48/1388; F21S 48/2268;  
F21V 21/04; F21W 2103/35; F21W 3/40;  
F21W 2102/17; F21W 2102/30; F21W  
2103/00; F21W 2103/55; F21W 2104/00;  
F21W 2107/17; F21W 2107/13  
See application file for complete search history.

(56) **References Cited**

**U.S. PATENT DOCUMENTS**

D735,911 S 8/2015 O'donnell et al.  
D743,064 S \* 11/2015 Lai ..... D26/28

D744,678 S \* 12/2015 Lai ..... D26/28  
D745,725 S \* 12/2015 McMahan ..... D26/28  
D749,246 S \* 2/2016 Thole ..... D26/28  
D761,458 S \* 7/2016 Chung ..... D26/28  
D771,852 S \* 11/2016 Tsai ..... D26/28  
D792,618 S \* 7/2017 Wu ..... D26/28  
D812,274 S \* 3/2018 Wu ..... D26/28  
D857,950 S \* 8/2019 Zipfel ..... D26/28  
D868,318 S \* 11/2019 Lai ..... D26/28  
D869,026 S \* 12/2019 Zipfel ..... D26/28  
D878,647 S \* 3/2020 Lai ..... D26/28

\* cited by examiner

*Primary Examiner* — Angela J Lee

(74) *Attorney, Agent, or Firm* — Alexander Chen, Esq.

(57) **CLAIM**

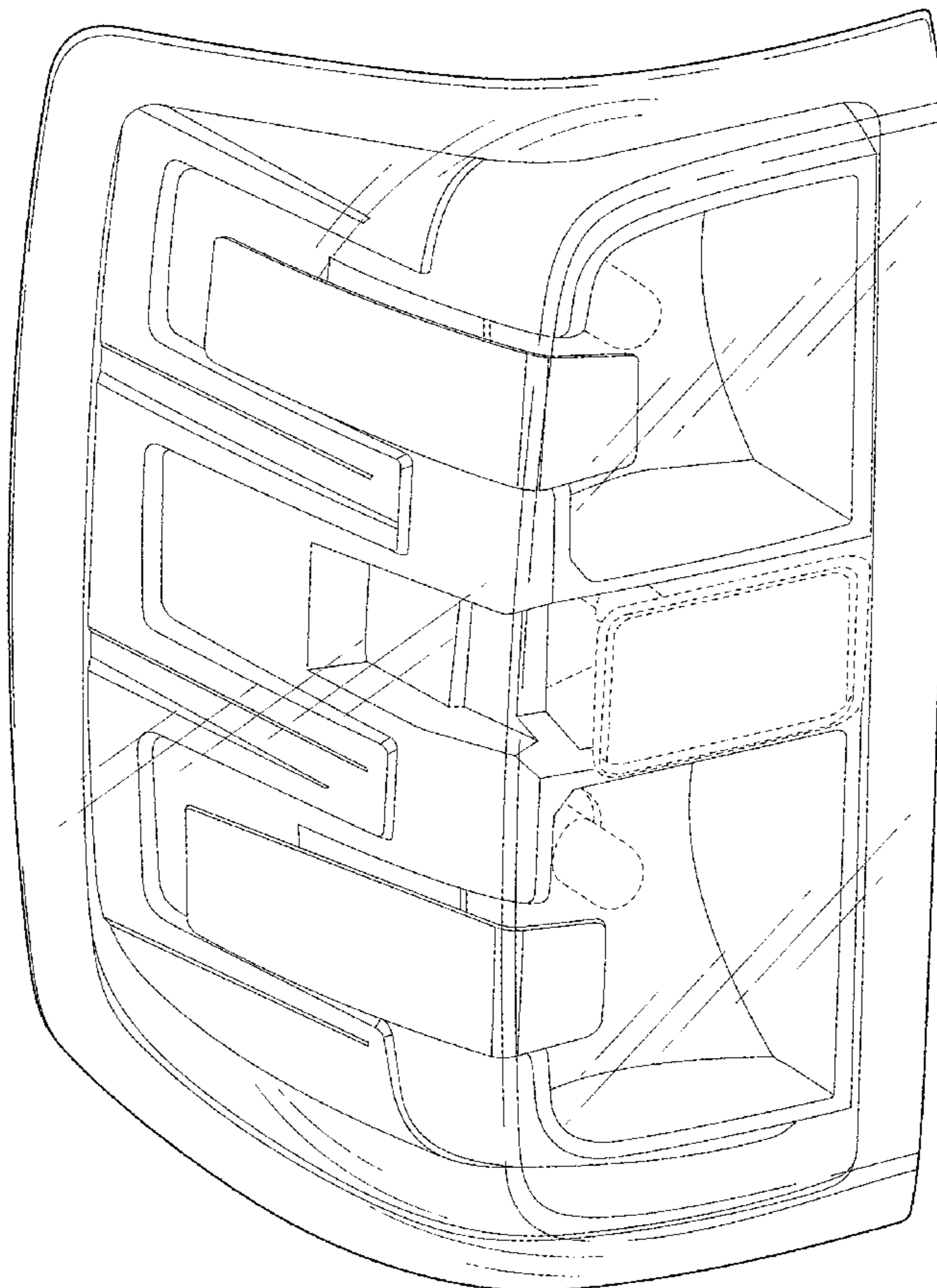
The ornamental design for an automobile back light, as shown and described.

**DESCRIPTION**

FIG. 1 is a perspective view of an automobile back light; FIG. 2 is a front view thereof; and, FIG. 3 is a side view thereof.

The broken lines are included to show environmental structure and form no part of the claimed design. The drawings and descriptions represent the left side embodiment. The claim is also for a mirror image right side embodiment.

**1 Claim, 3 Drawing Sheets**



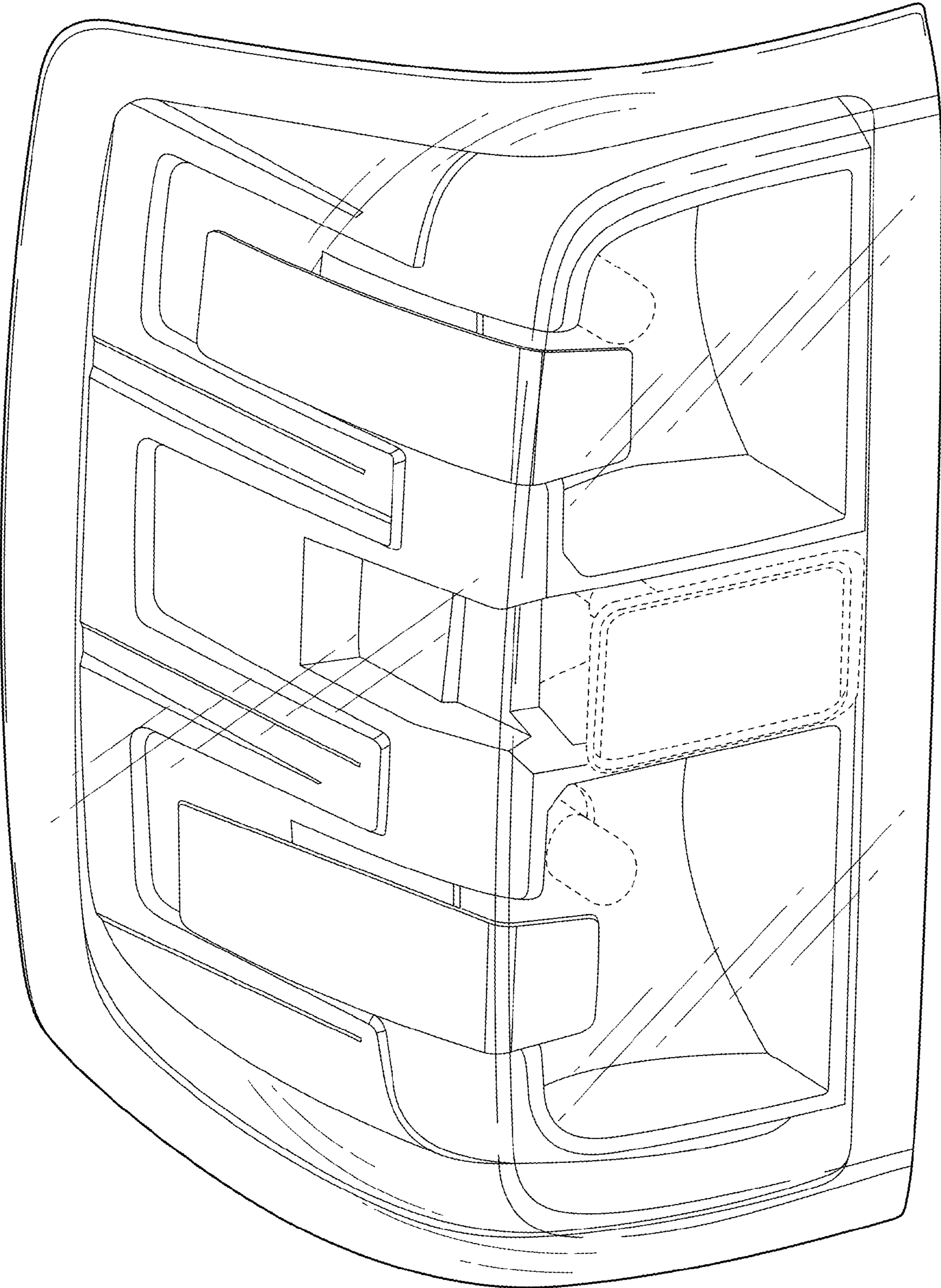


FIG. 1

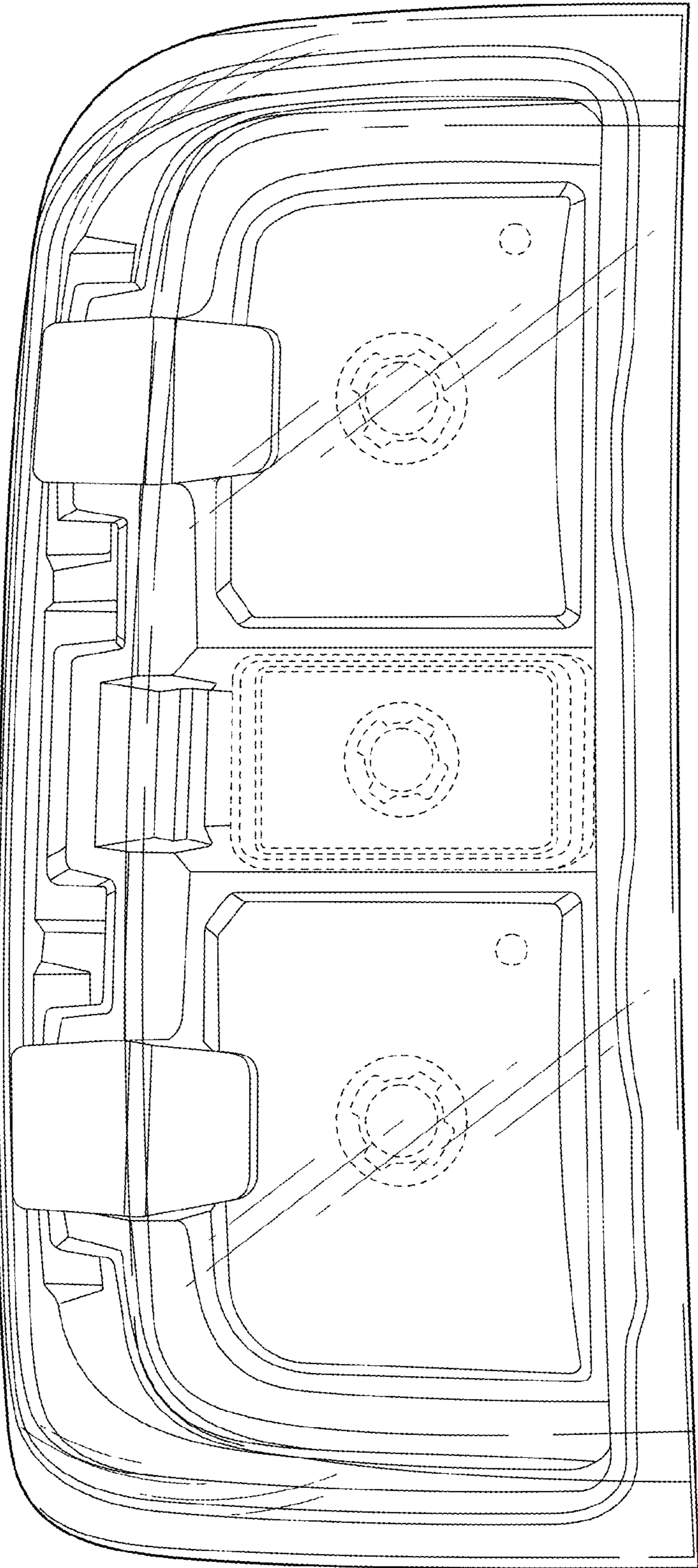


FIG. 2

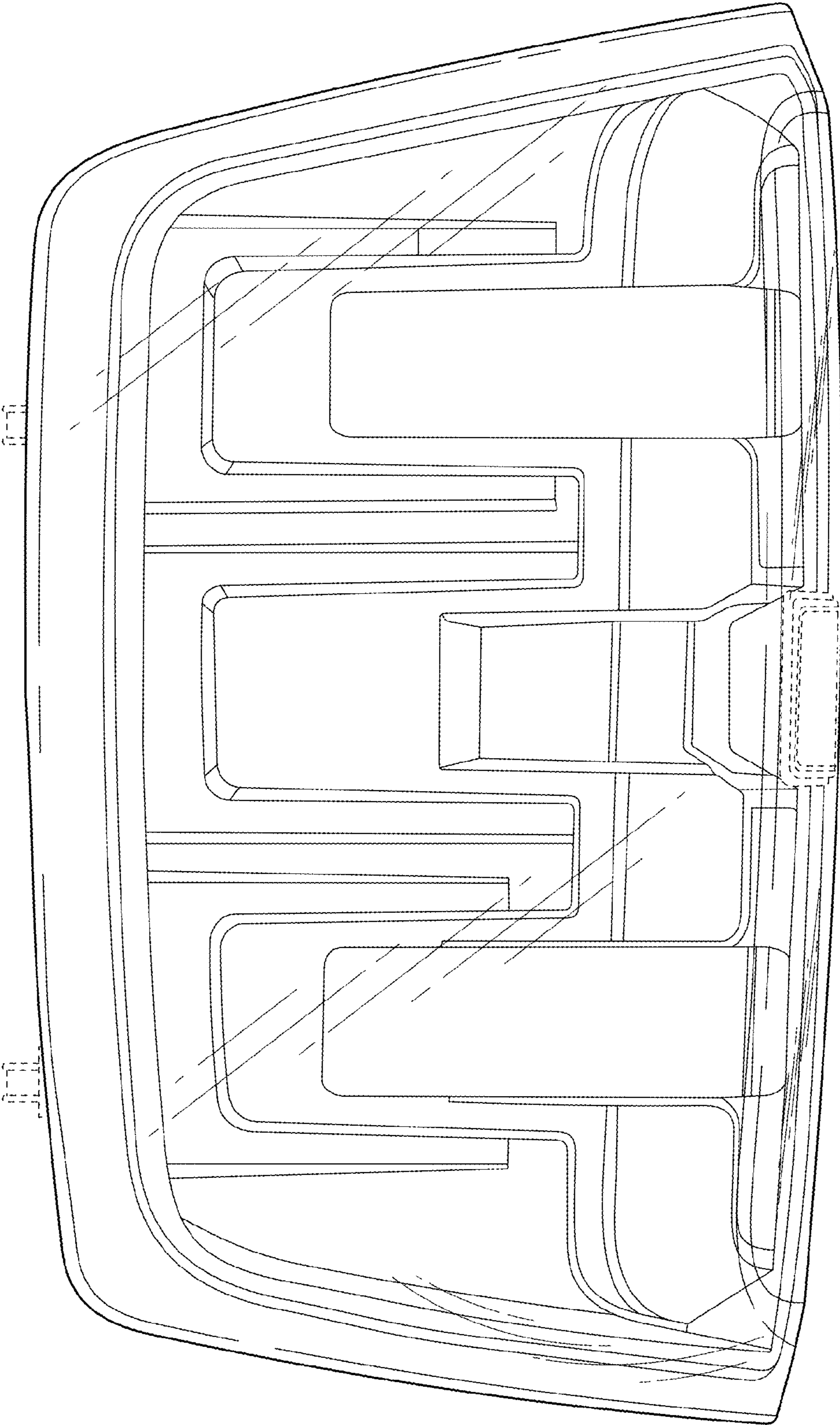


FIG. 3