



US00D893773S

(12) **United States Design Patent**  
**Binder**

(10) **Patent No.:** **US D893,773 S**

(45) **Date of Patent:** **\*\* Aug. 18, 2020**

(54) **TAILLIGHT FOR A VEHICLE**  
(71) Applicant: **Bayerische Motoren Werke**  
**Aktiengesellschaft, Munich (DE)**  
(72) Inventor: **Thomas Binder, Stockdorf (DE)**  
(73) Assignee: **Bayerische Motoren Werke**  
**Aktiengesellschaft, Munich (DE)**

D739,582 S 9/2015 Forsgren  
D760,410 S \* 6/2016 Arroba ..... D26/28  
D765,289 S 8/2016 Luk  
D768,894 S \* 10/2016 Faghihzadeh ..... D26/28  
D789,583 S \* 6/2017 Peard ..... D26/61  
D792,989 S \* 7/2017 Han ..... D26/28

(\*\*) Term: **15 Years**  
(21) Appl. No.: **29/689,417**  
(22) Filed: **Apr. 30, 2019**

**FOREIGN PATENT DOCUMENTS**

WO WO DM/101134 11/2018

\* cited by examiner

*Primary Examiner* — Marcus A Jackson

(74) *Attorney, Agent, or Firm* — Crowell & Moring LLP

(30) **Foreign Application Priority Data**

Nov. 6, 2018 (DE) ..... 40 2018 101 132

(51) **LOC (12) Cl.** ..... **26-06**

(52) **U.S. Cl.**  
USPC ..... **D26/28**

(58) **Field of Classification Search**  
USPC ..... D26/28-36, 139  
CPC ..... F21S 48/00; F21S 48/10; F21S 48/115;  
F21S 48/225; F21S 48/1233; F21S  
48/1266; F21S 48/1388; F21S 48/2268;  
F21V 21/04; F21V 29/004; B60Q 9/13;  
B60Q 9/135; B60Q 9/1357  
See application file for complete search history.

(57) **CLAIM**

The ornamental design for a taillight for a vehicle, as shown and described.

(56) **References Cited**

**U.S. PATENT DOCUMENTS**

D686,358 S \* 7/2013 Morgenstern ..... D26/28  
D737,480 S \* 8/2015 Park ..... D26/28

**DESCRIPTION**

FIG. 1 is a front view of a taillight for a vehicle according to the design;  
FIG. 2 is a left, front perspective view thereof;  
FIG. 3 is a right, front perspective view thereof;  
FIG. 4 is a left side view thereof;  
FIG. 5 is a right side view thereof;  
FIG. 6 is a top view thereof;  
FIG. 7 is a bottom view thereof; and,  
FIG. 8 is a rear view thereof.

**1 Claim, 8 Drawing Sheets**

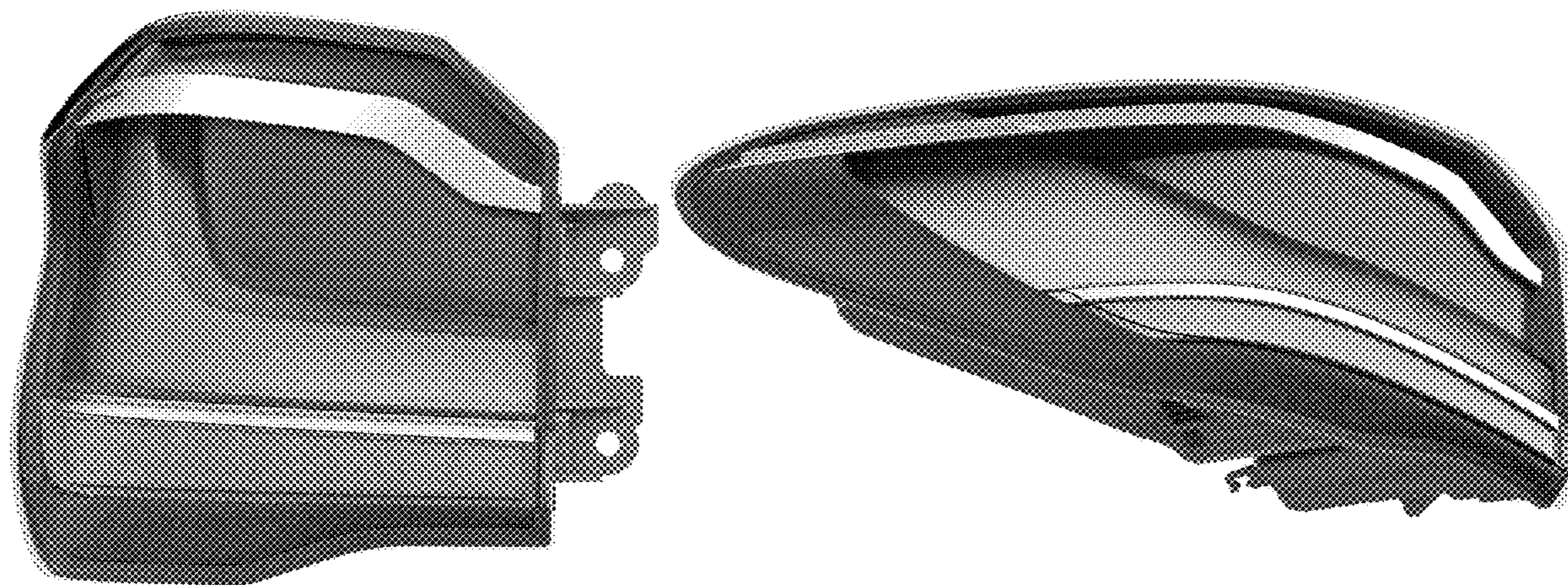




Fig. 1

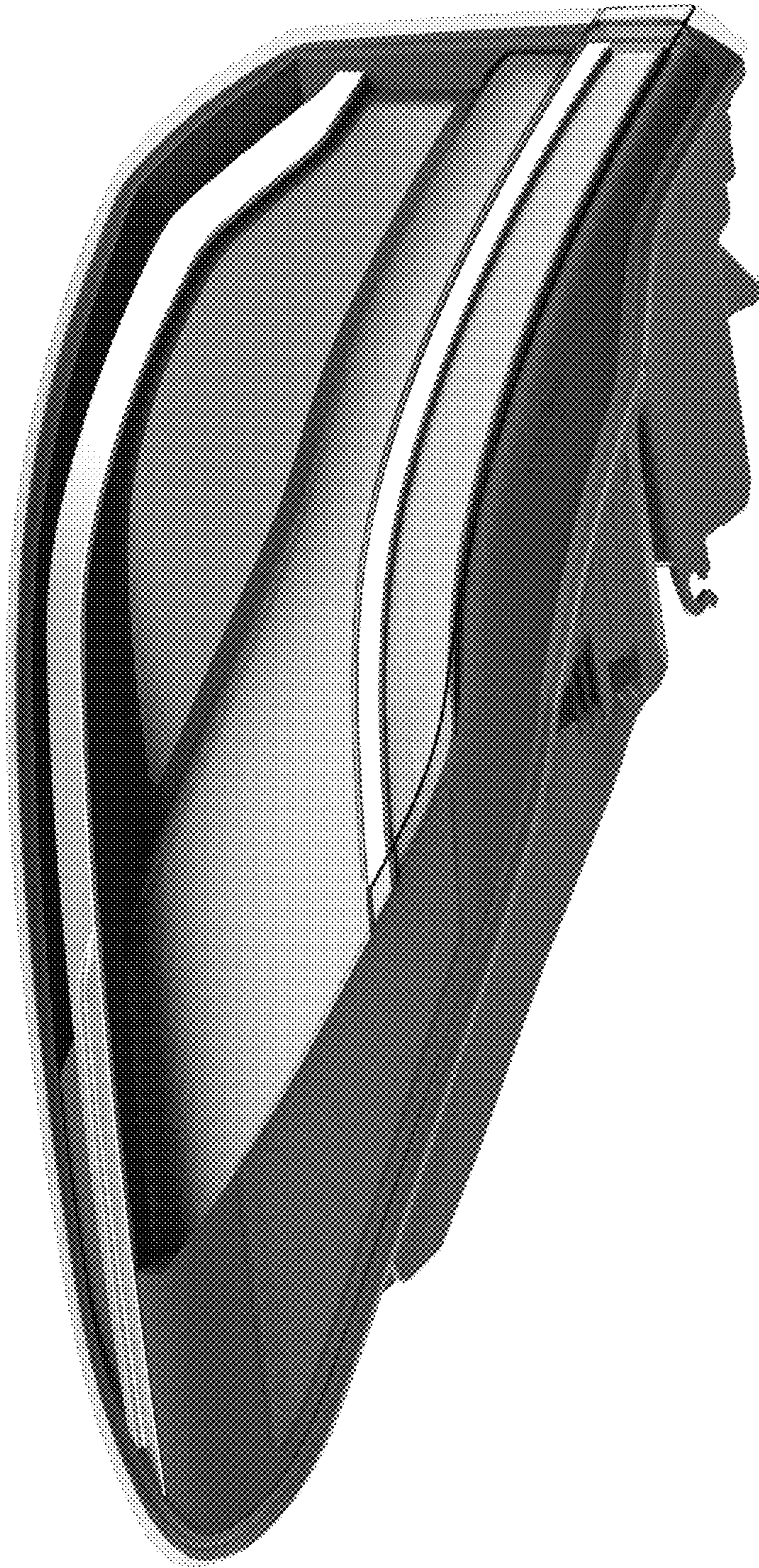


Fig. 2

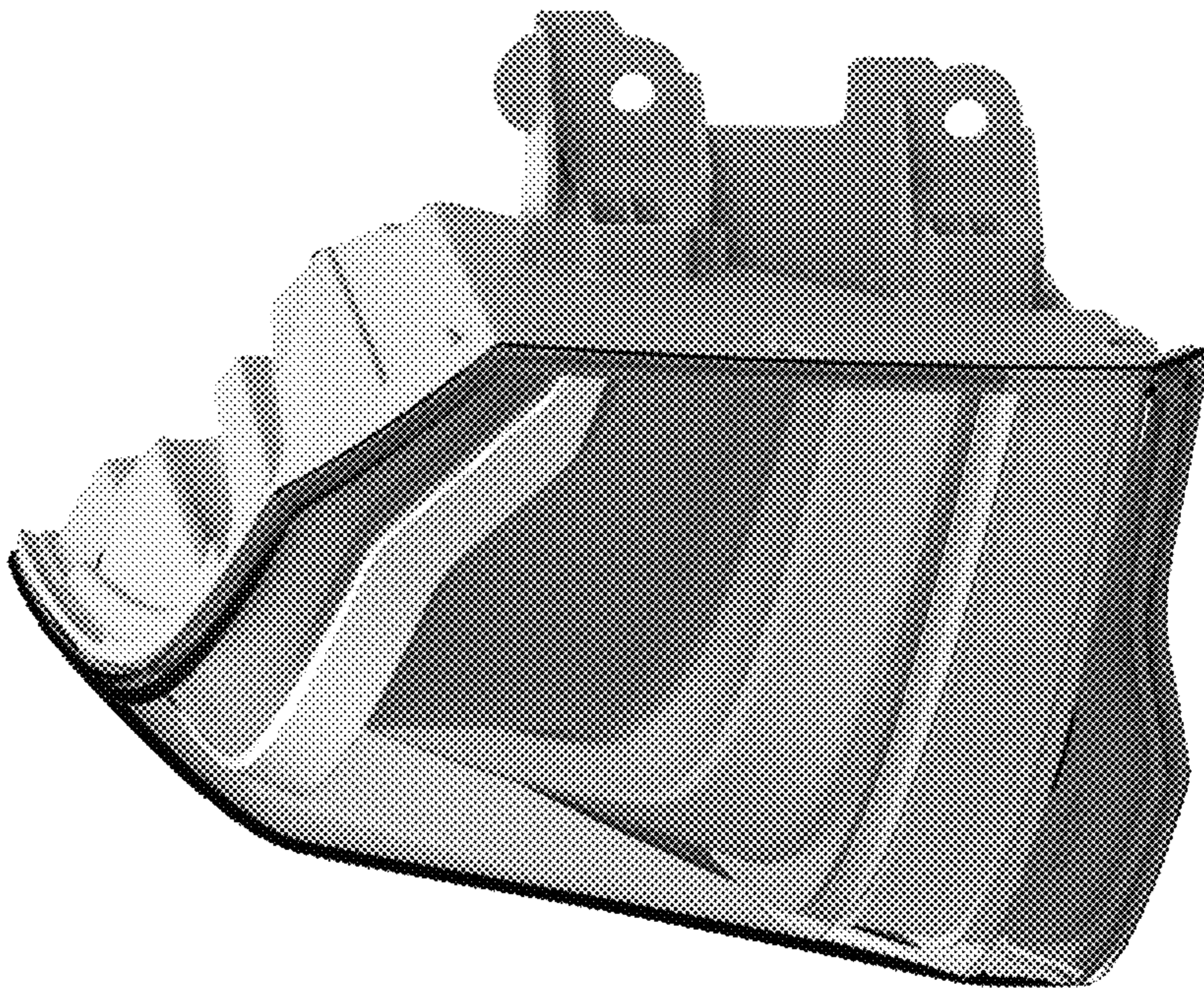


Fig. 3



Fig. 4

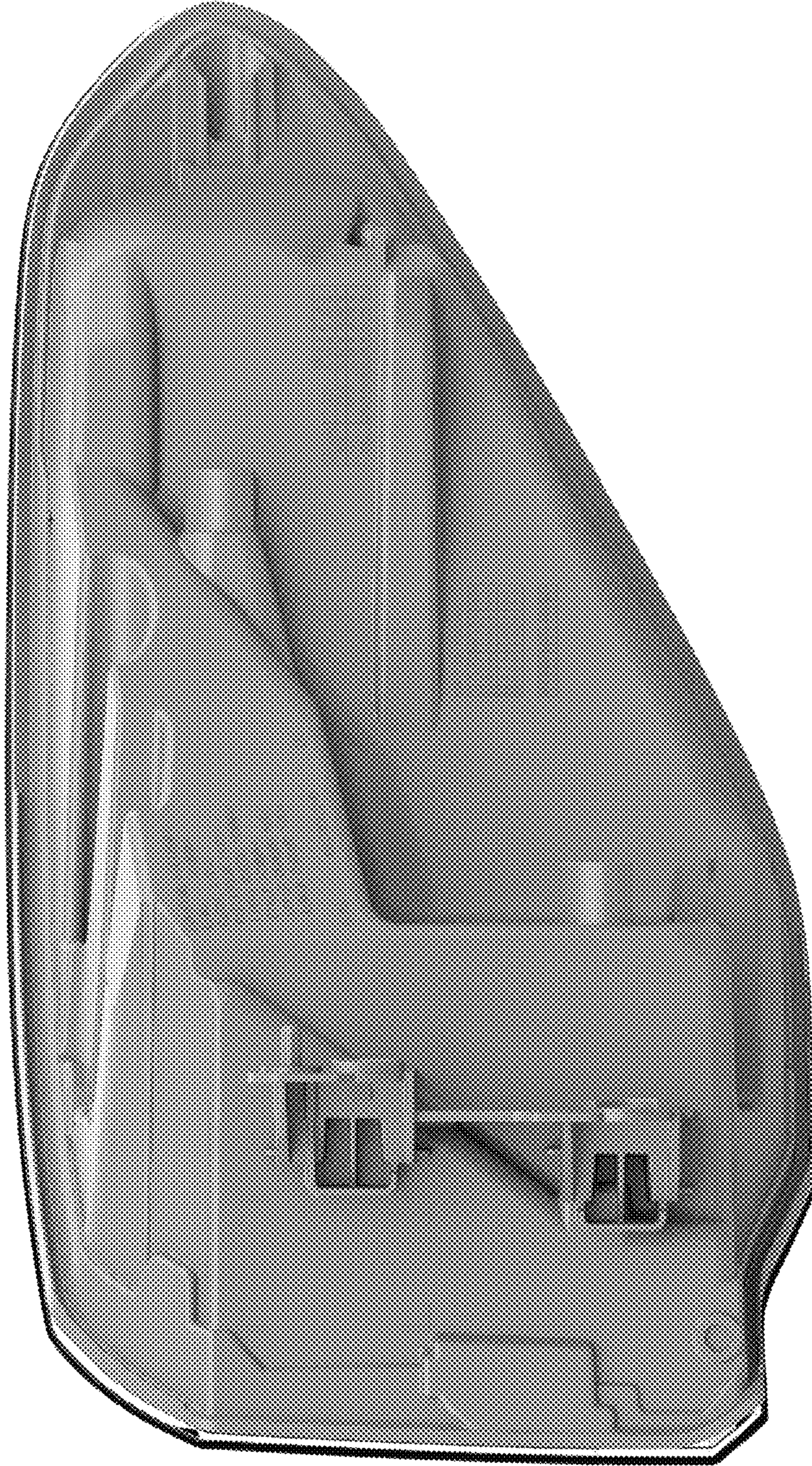


Fig. 5

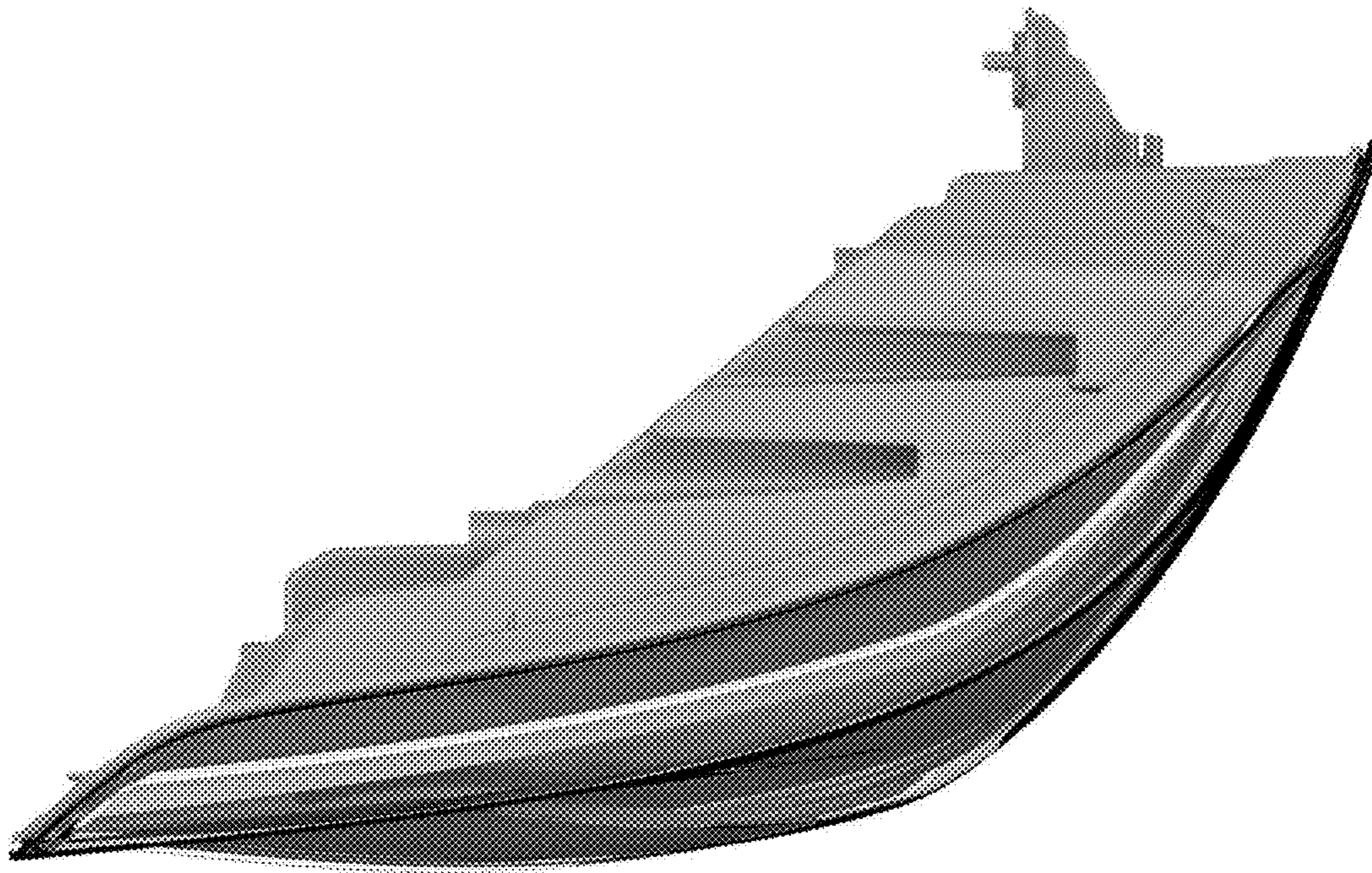


Fig. 6

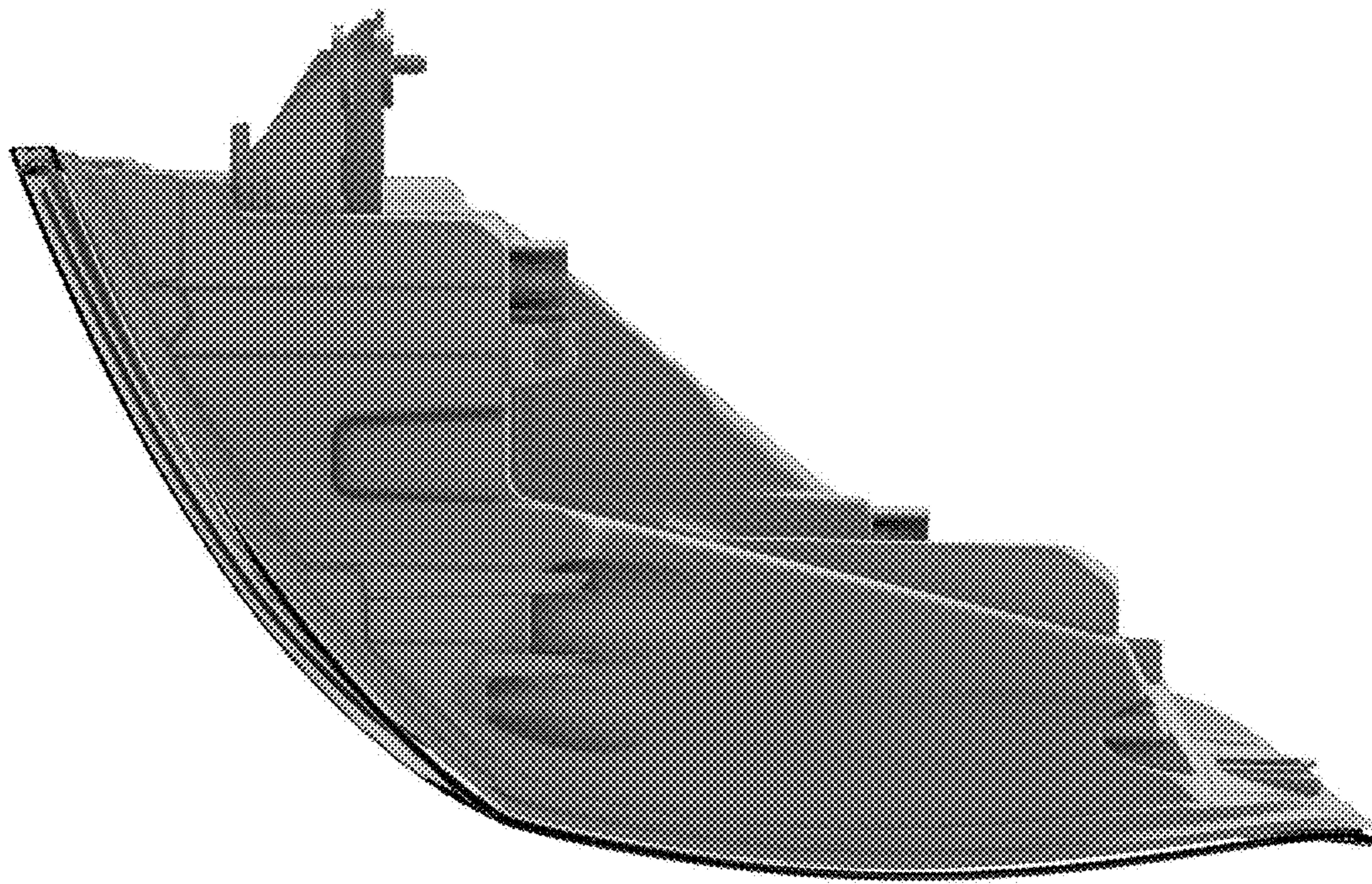


Fig. 7



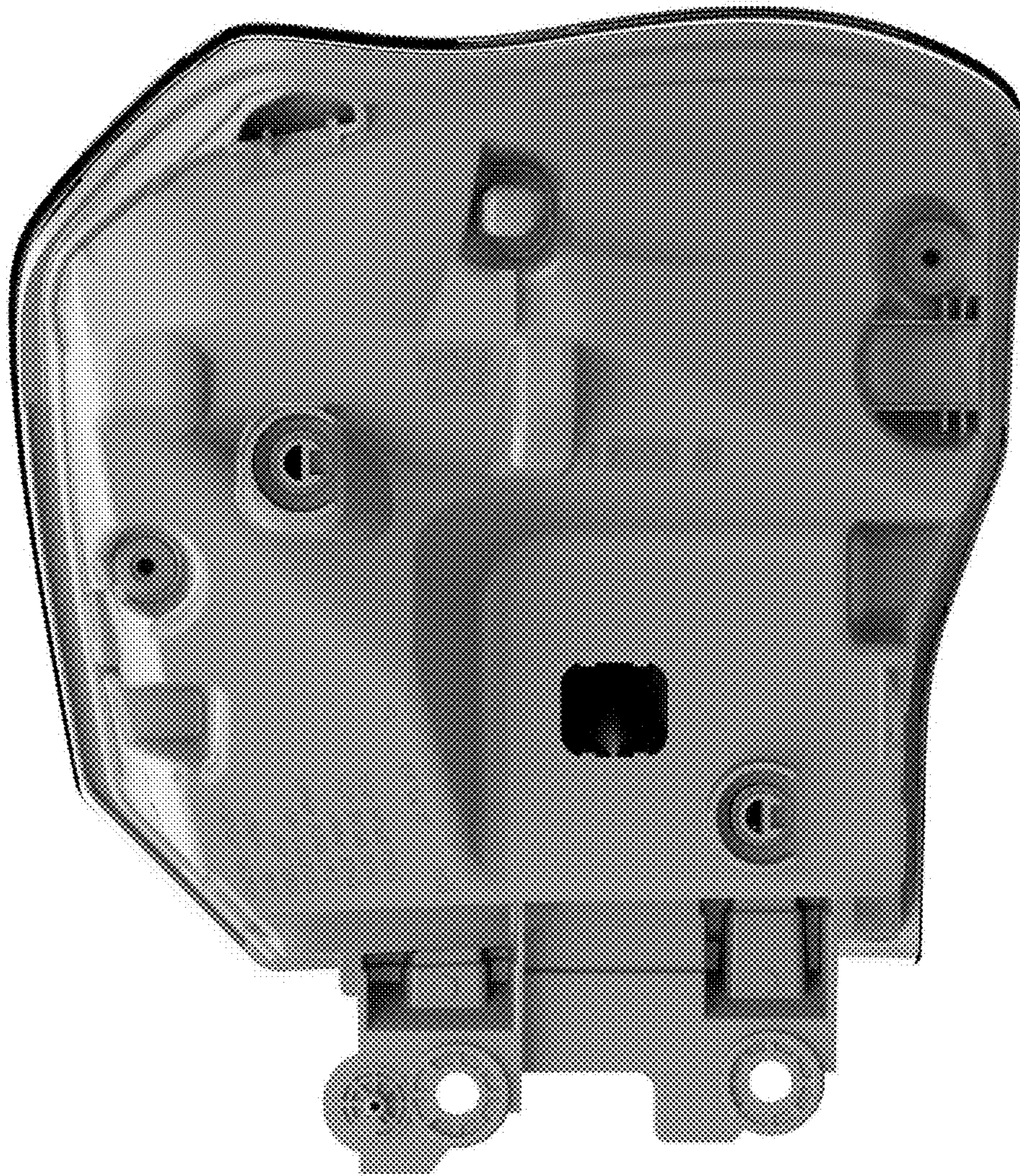


Fig. 8