



US00D893772S

(12) **United States Design Patent**
Binder

(10) **Patent No.:** **US D893,772 S**

(45) **Date of Patent:** **** Aug. 18, 2020**

(54) **HEADLIGHT FOR A VEHICLE**

(71) Applicant: **Bayerische Motoren Werke
Aktiengesellschaft, Munich (DE)**

(72) Inventor: **Thomas Binder, Stockdorf (DE)**

(73) Assignee: **Bayerische Motoren Werke
Aktiengesellschaft, Munich (DE)**

(**) Term: **15 Years**

(21) Appl. No.: **29/689,416**

(22) Filed: **Apr. 30, 2019**

(30) **Foreign Application Priority Data**

Nov. 6, 2018 (DE) 40 2018 101 132

(51) **LOC (12) Cl.** **26-06**

(52) **U.S. Cl.**
USPC **D26/28**

(58) **Field of Classification Search**
USPC D26/28–36, 139
CPC F21S 48/00; F21S 48/10; F21S 48/115;
F21S 48/225; F21S 48/1233; F21S
48/1266; F21S 48/1388; F21S 48/2268;
F21V 21/04; F21V 29/004; B60Q 9/13;
B60Q 9/135; B60Q 9/1375
See application file for complete search history.

(56) **References Cited**

U.S. PATENT DOCUMENTS

D593,691 S	6/2009	Habib	
D708,375 S *	7/2014	Endo	D26/28
D740,463 S *	10/2015	Ko	D26/28
D760,408 S *	6/2016	Arroba	D26/28
D762,894 S	8/2016	Luk	
D767,801 S *	9/2016	Han	D26/28
D783,867 S *	4/2017	Munakata	D26/28
D812,259 S *	3/2018	Seo	D26/28
D814,080 S *	3/2018	Ha	D26/28

D819,851 S *	6/2018	Munakata	D26/28
D828,590 S	9/2018	Hannemann	
D829,947 S *	10/2018	Jung	D26/28
D833,653 S *	11/2018	Sakai	D26/28
D833,658 S *	11/2018	Lee	D26/28
D843,615 S	3/2019	Nordmann	

(Continued)

FOREIGN PATENT DOCUMENTS

WO	WO DM/069951	10/2008
WO	WO DM/080366	9/2013
WO	WO DM/098388	5/2018

(Continued)

Primary Examiner — Marcus A Jackson

(74) *Attorney, Agent, or Firm* — Crowell & Moring LLP

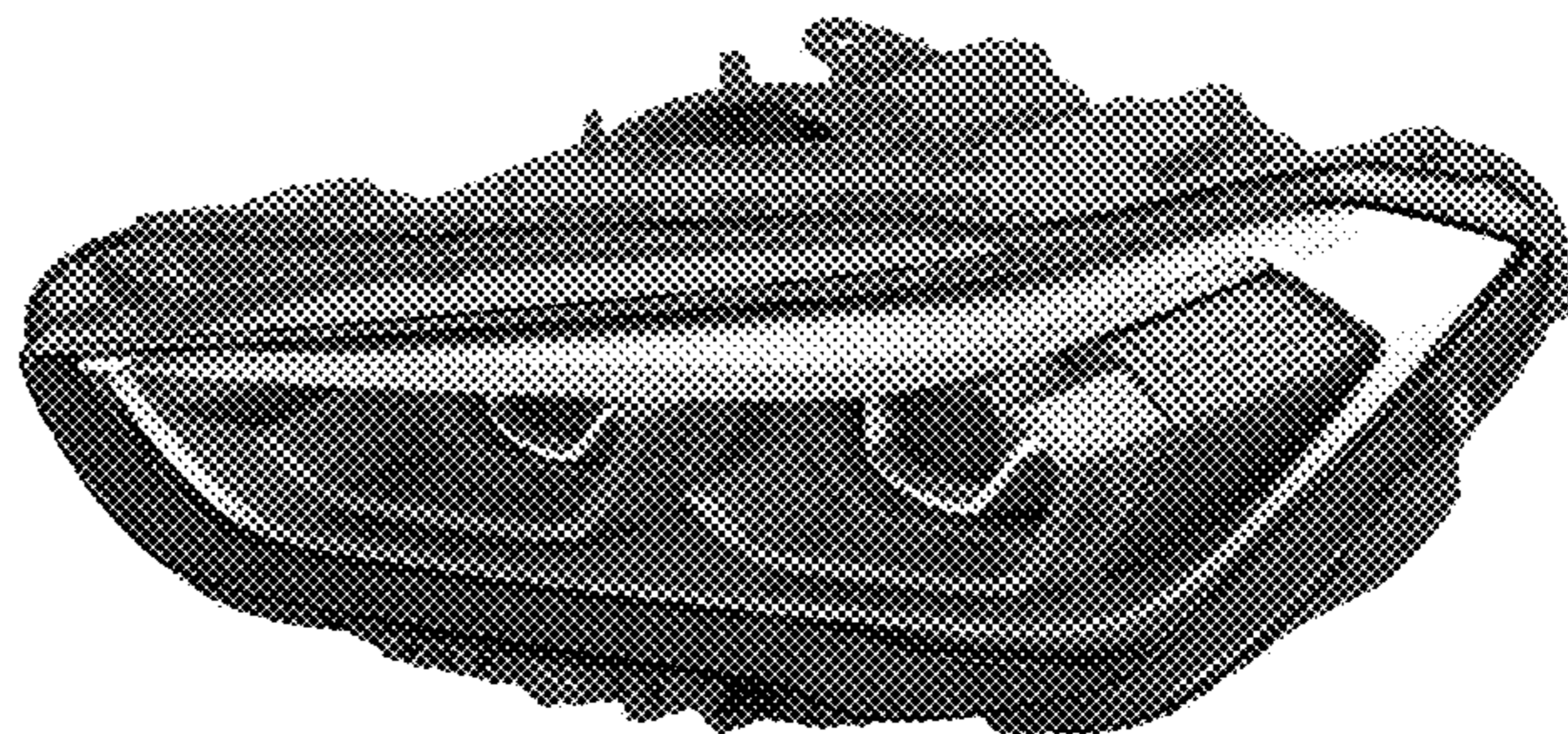
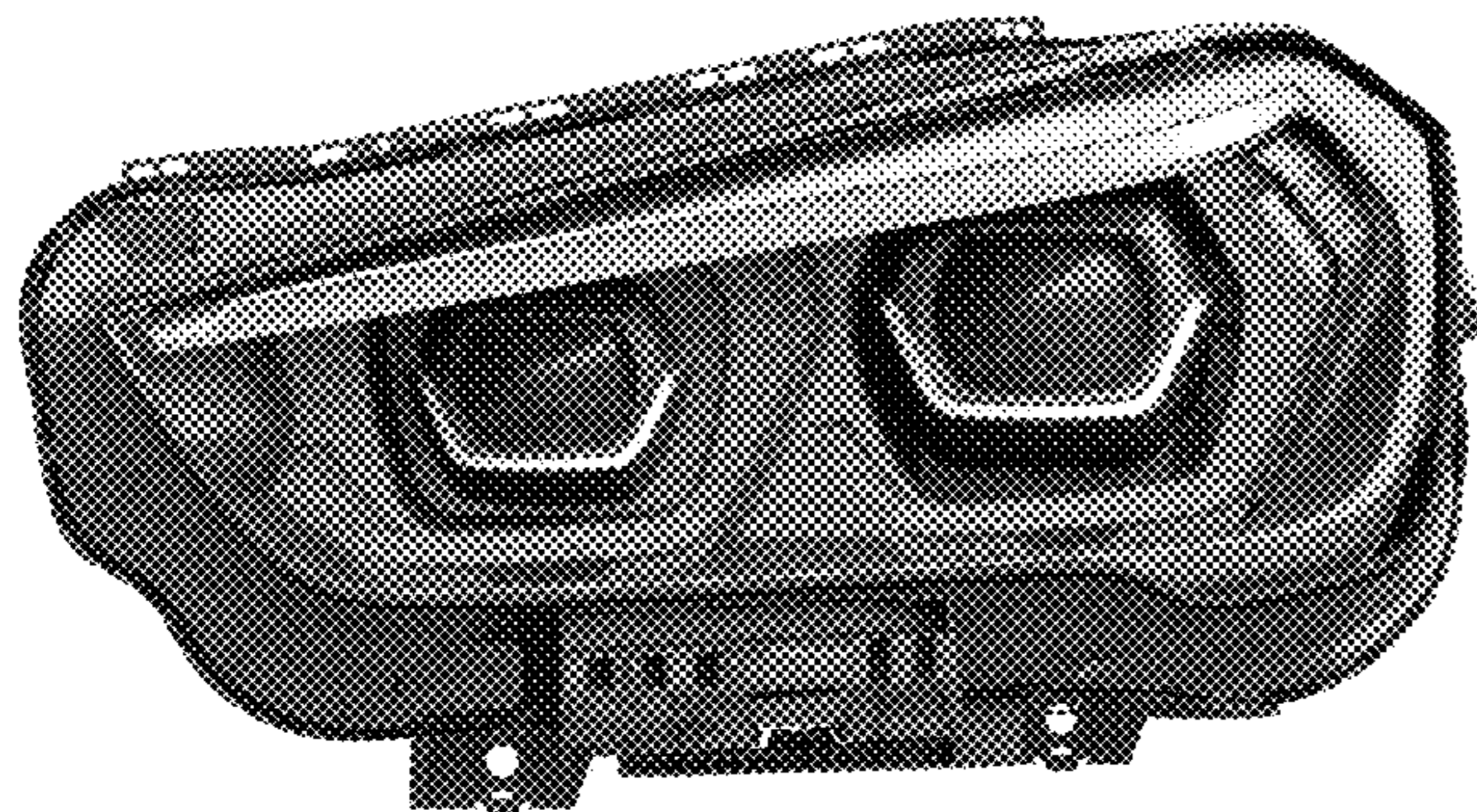
(57) **CLAIM**

The ornamental design for a headlight for a vehicle, as shown and described.

DESCRIPTION

This application contains subject matter related to the following co-pending U.S. design patent applications: Application Ser. No. 29/624,712, filed Nov. 3, 2017 and entitled “Headlight for a Vehicle;” Application Ser. No. 29/650,343, filed Jun. 6, 2018 and entitled “Headlight for a Vehicle;” and Application Ser. No. 29/646,416, filed May 4, 2018 and entitled “Headlight for a Vehicle.” FIG. 1 is a front view of a headlight for a vehicle according to the design; FIG. 2 is a right, front perspective view thereof; FIG. 3 is a left, front perspective view thereof; FIG. 4 is a right side view thereof; FIG. 5 is a left side view thereof; FIG. 6 is a top view thereof; FIG. 7 is a bottom view thereof; and, FIG. 8 is a rear view thereof.

1 Claim, 8 Drawing Sheets



(56)

References Cited

U.S. PATENT DOCUMENTS

D844,188 S 3/2019 Nordmann

FOREIGN PATENT DOCUMENTS

WO WO DM/101134 11/2018
WO WO DM/101568 12/2018

* cited by examiner

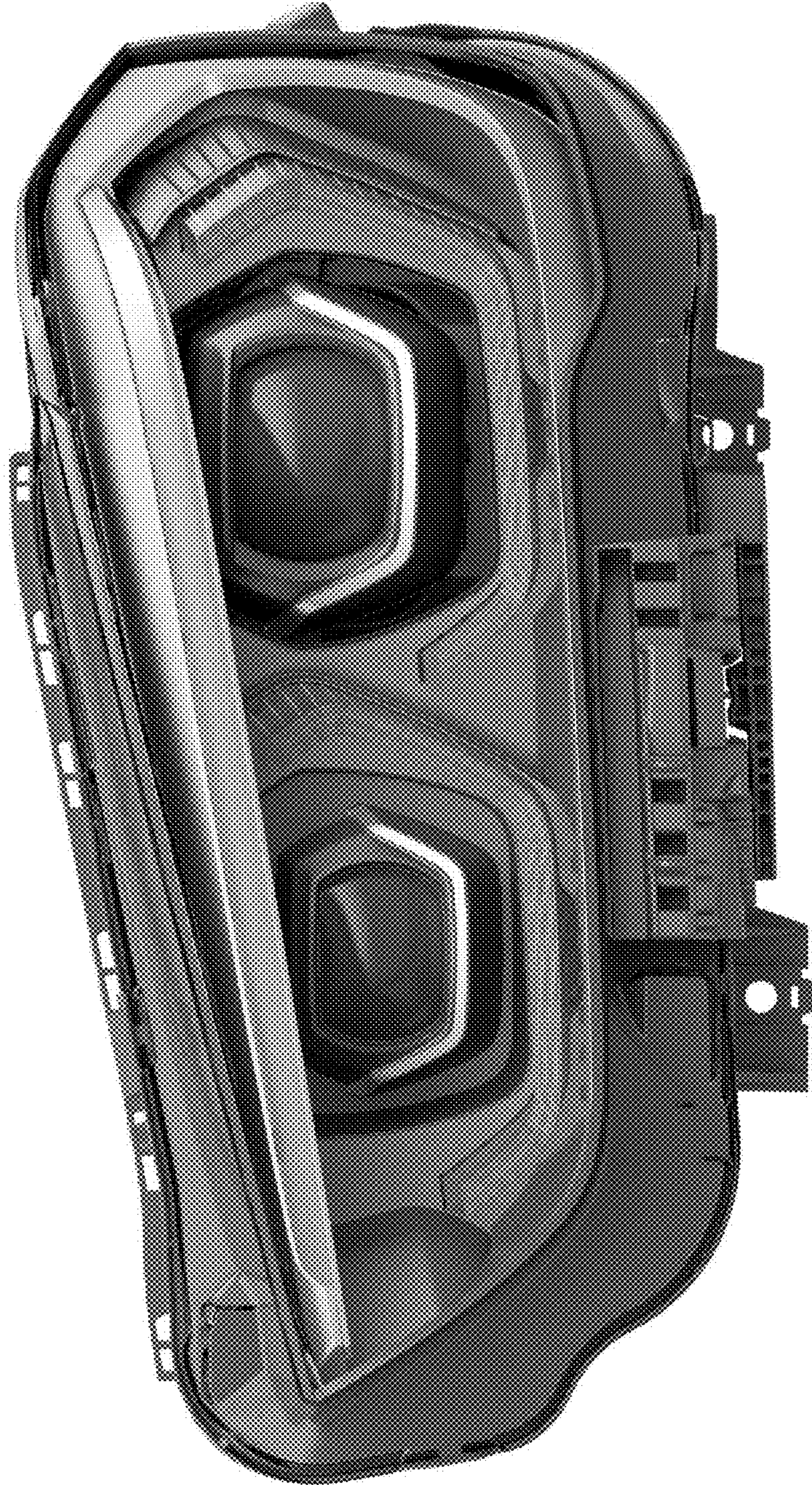


Fig. 1

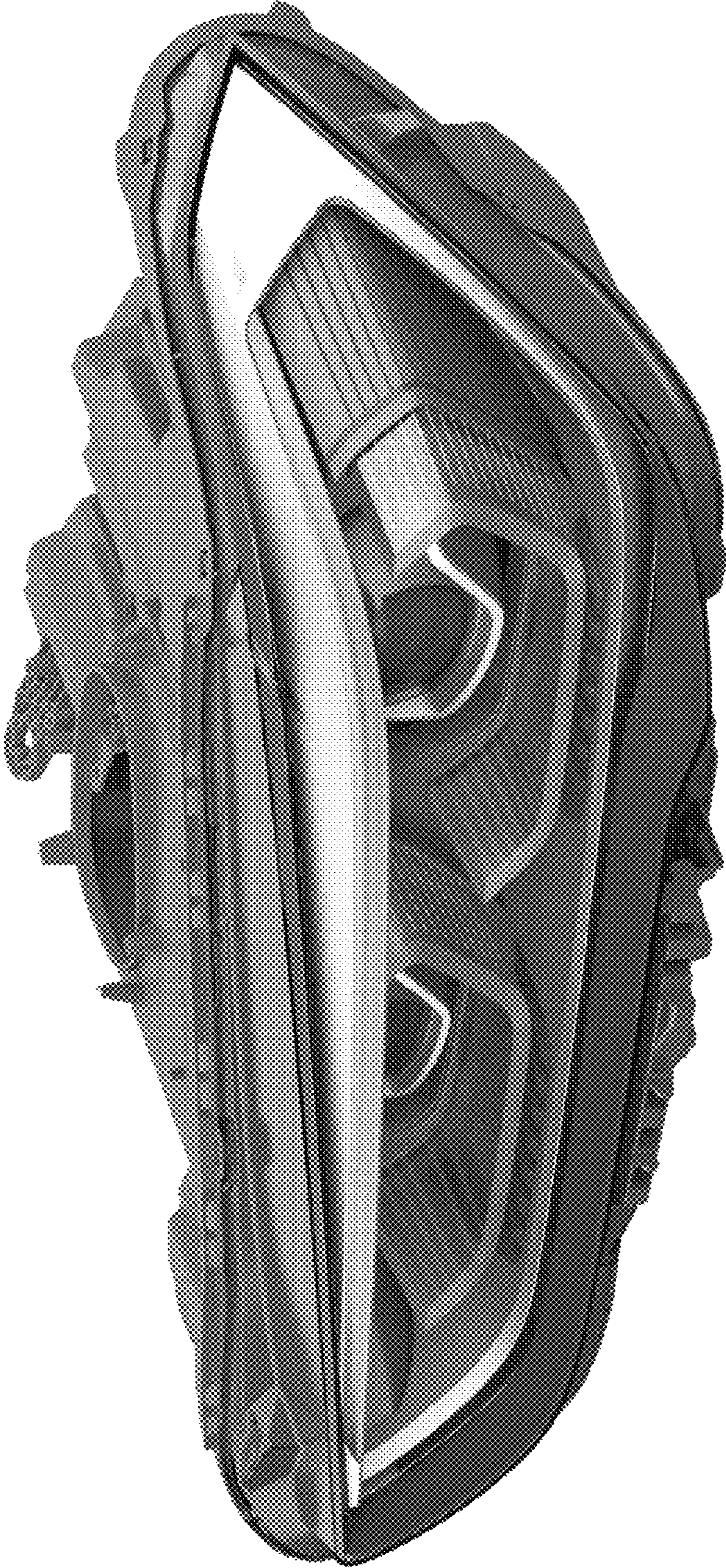


Fig. 2

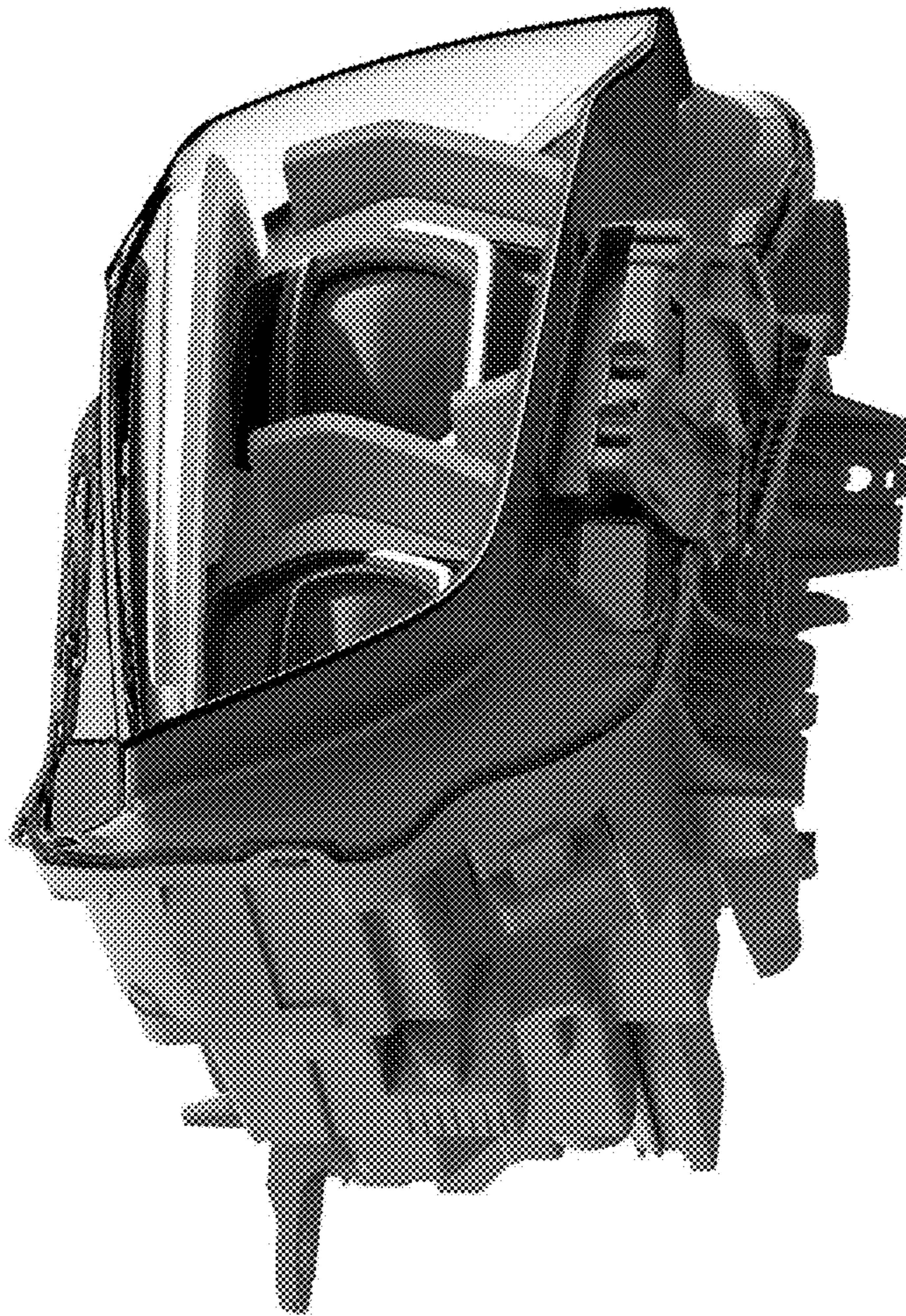


Fig. 3

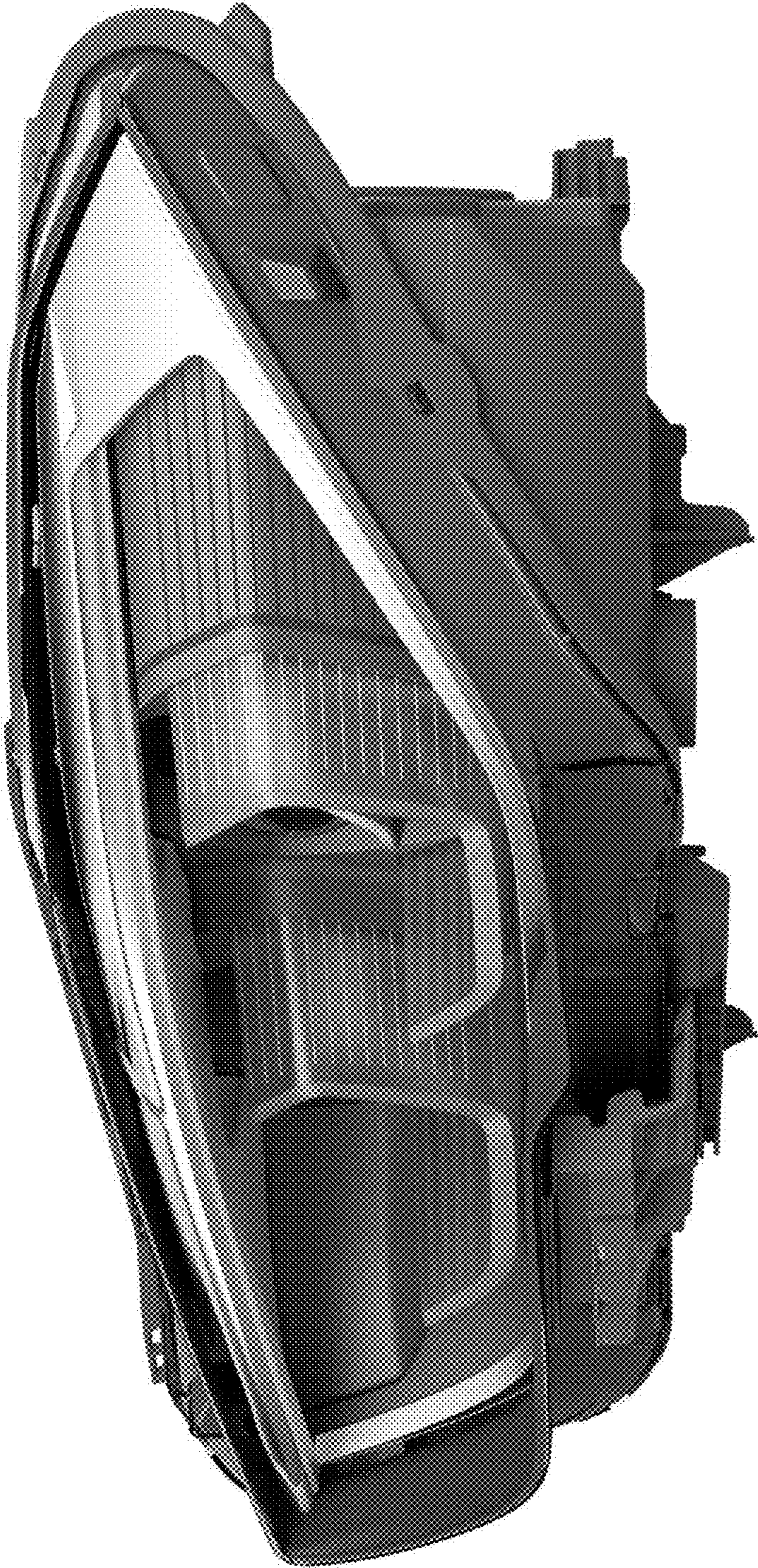


Fig. 4

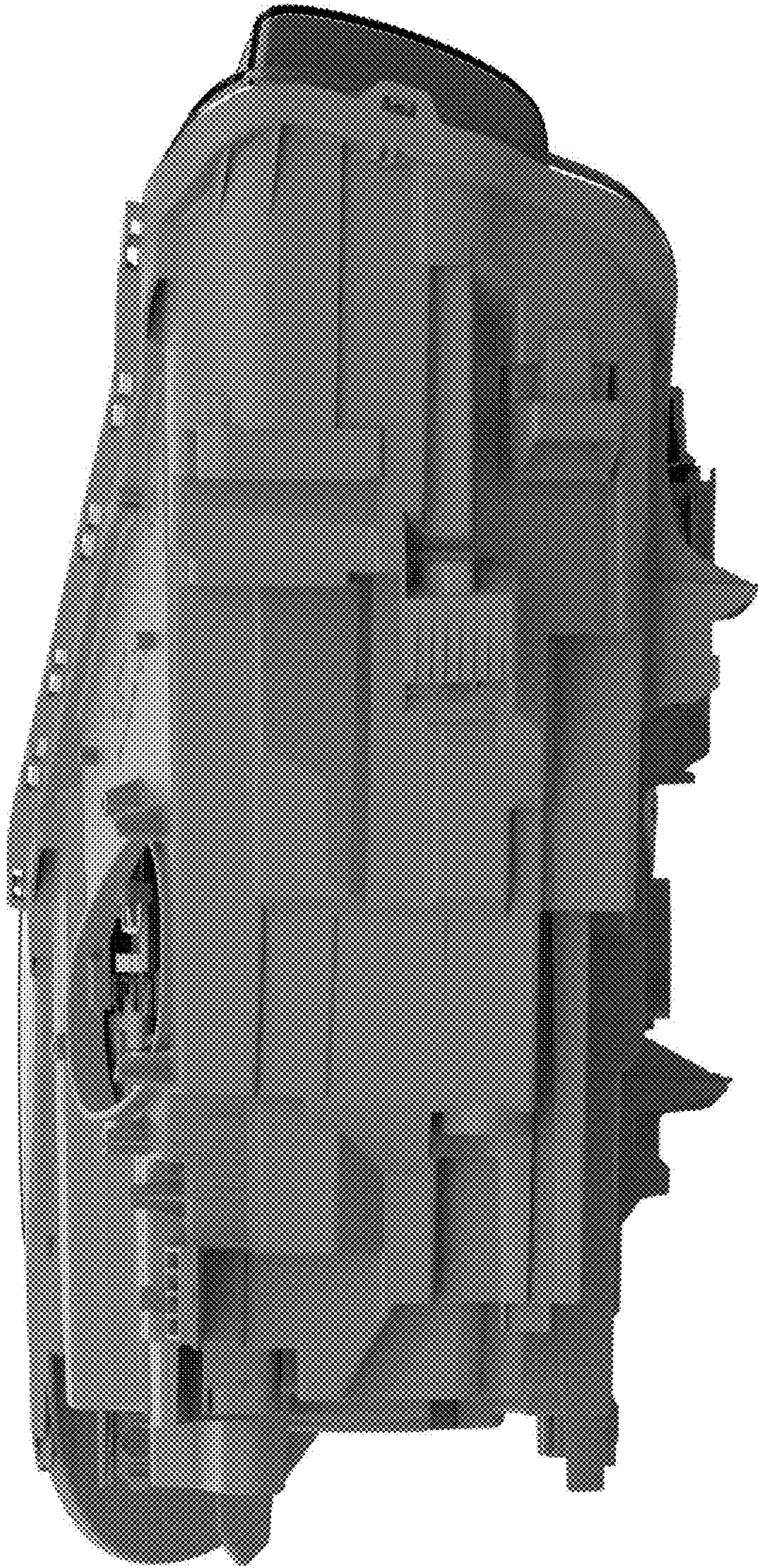


Fig. 5

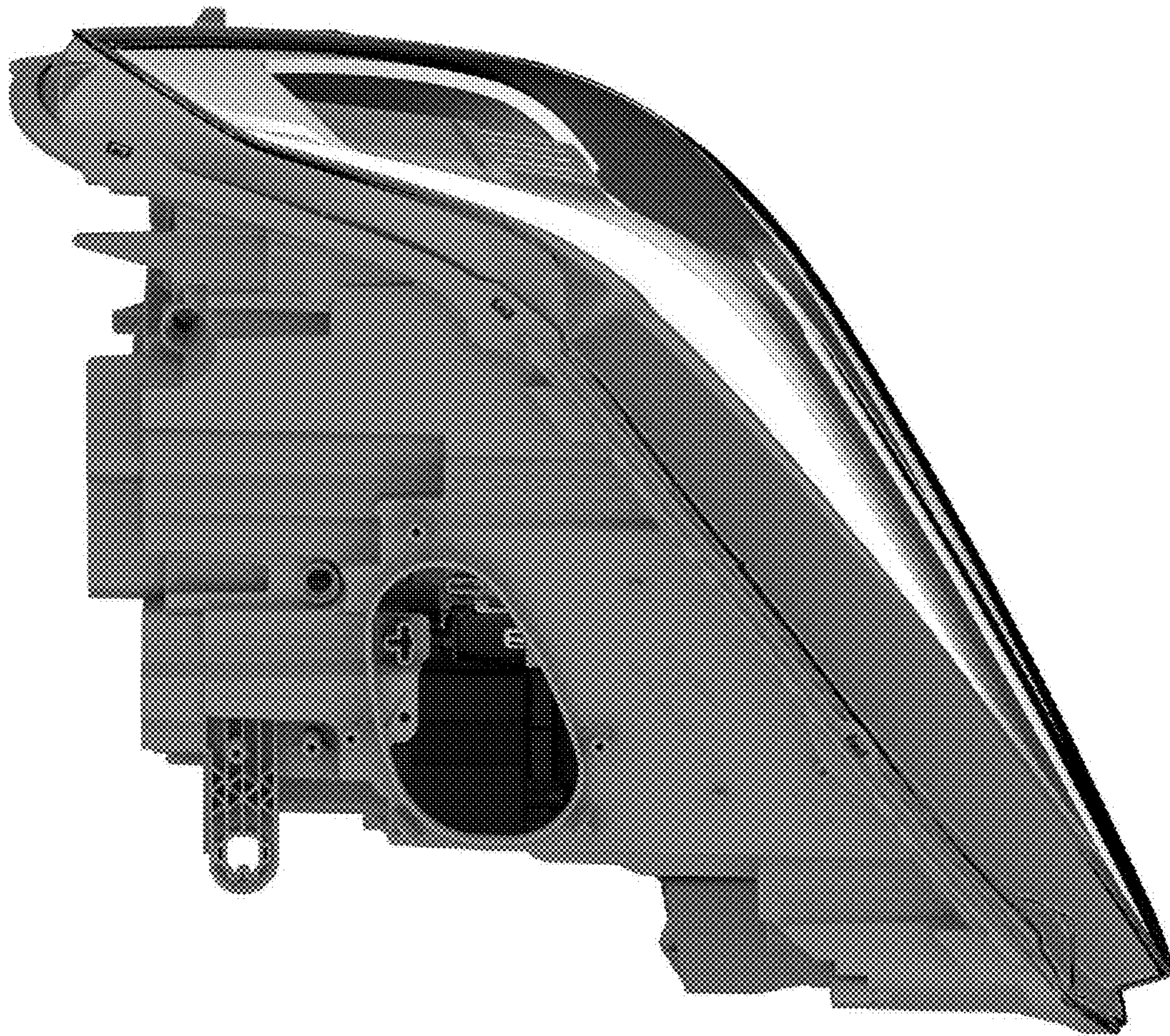


Fig. 6

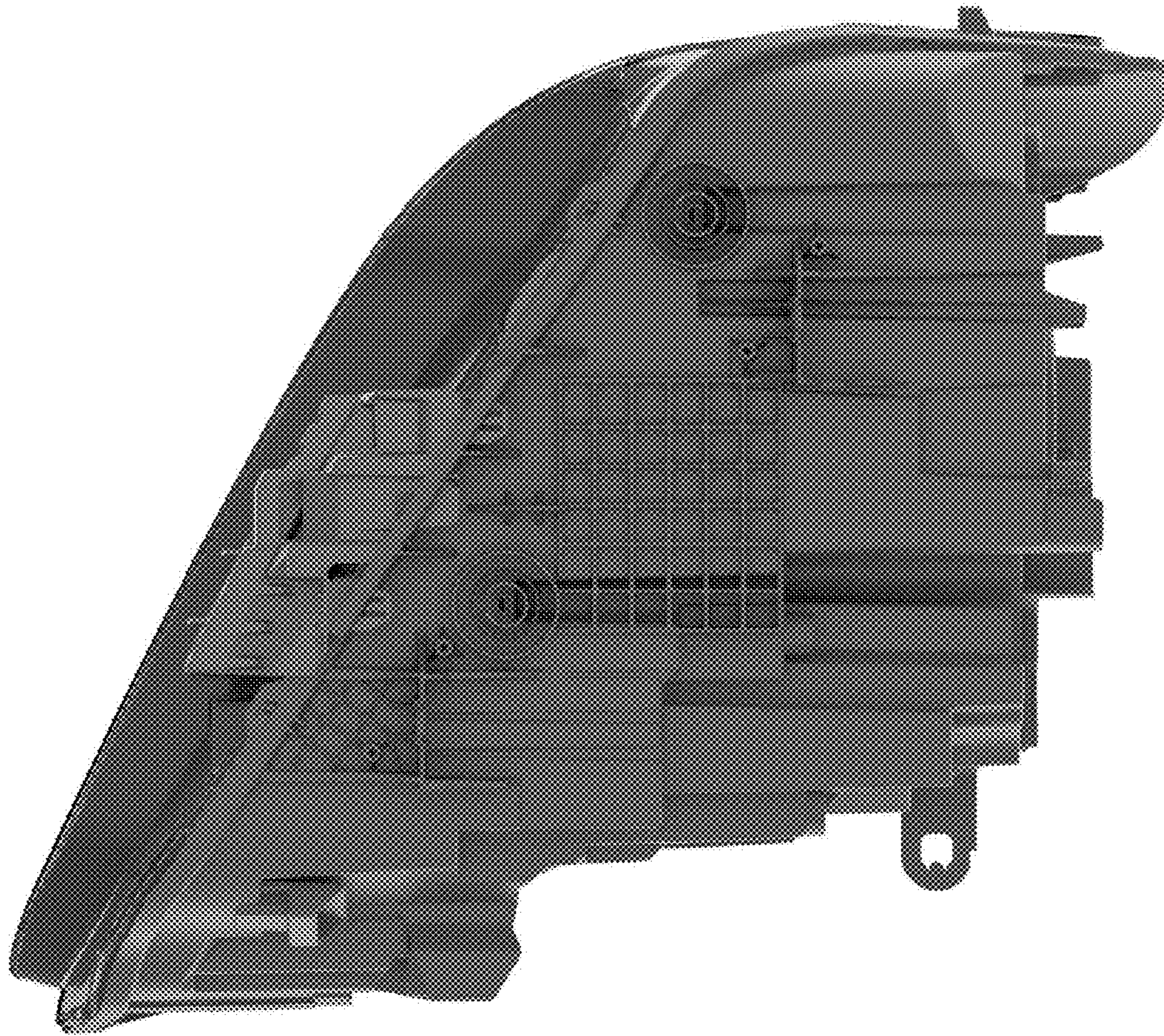


Fig. 7

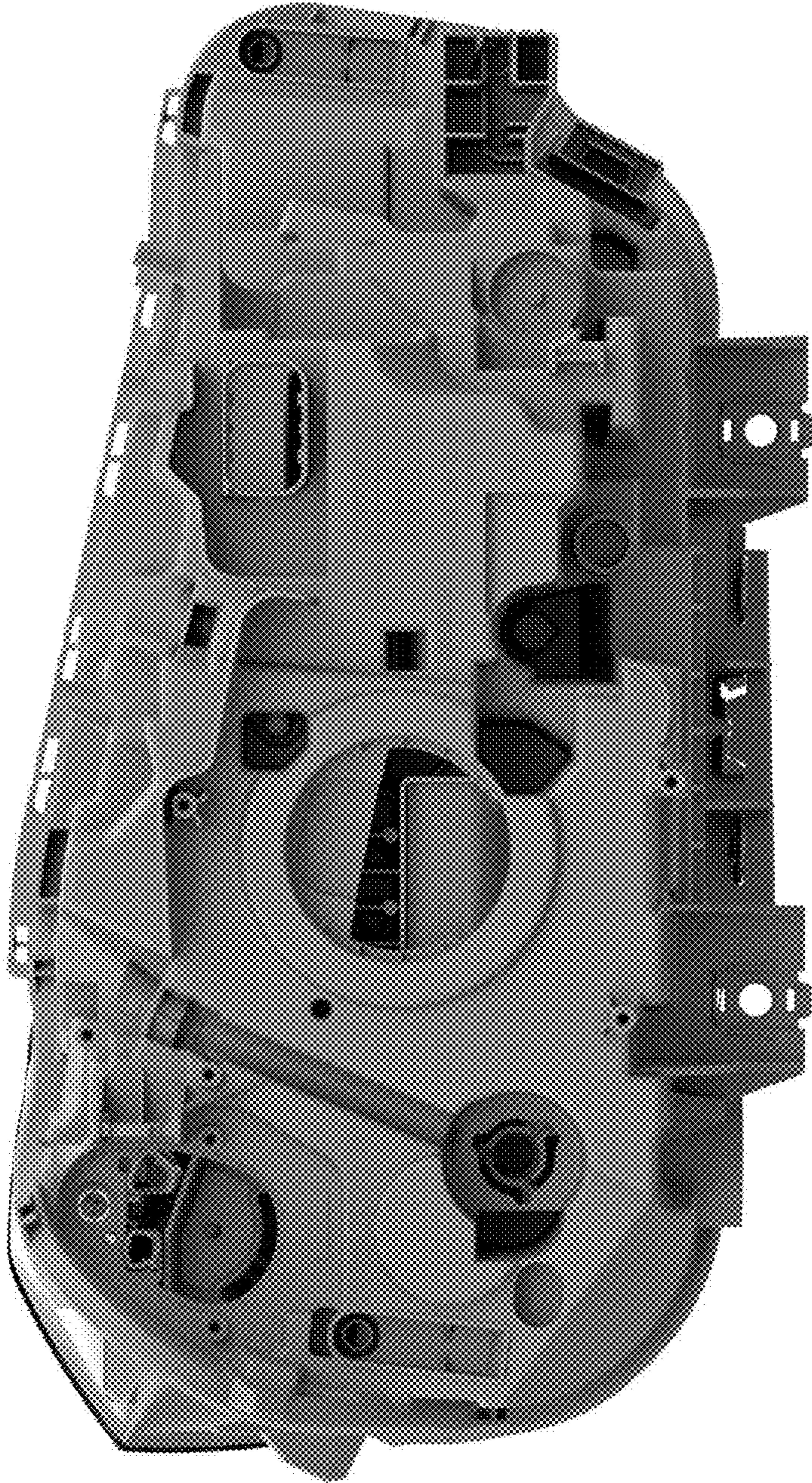


Fig. 8