



US00D893768S

(12) **United States Design Patent**
Morelock et al.

(10) **Patent No.:** **US D893,768 S**

(45) **Date of Patent:** **** Aug. 18, 2020**

(54) **TAILLIGHT FOR A MOTORCYCLE**

(71) Applicant: **Custom Dynamics LLC**, Youngsville, NC (US)

(72) Inventors: **David Morelock**, Escondido, CA (US);
Travis Downing, Carlsbad, CA (US)

(73) Assignee: **CUSTOM DYNAMICS, LLC**, Youngsville, NC (US)

(**) Term: **15 Years**

(21) Appl. No.: **29/685,511**

(22) Filed: **Mar. 28, 2019**

(51) **LOC (12) Cl.** **26-06**

(52) **U.S. Cl.**
USPC **D26/28**

(58) **Field of Classification Search**
USPC D26/28-36, 139
CPC F21S 48/00; F21S 48/10; F21S 48/115;
F21S 48/225; F21S 48/1233; F21S 48/1266; F21S 48/1388; F21S 48/2268;
F21V 21/04; F21V 29/004; B60Q 9/13;
B60Q 9/135; B60Q 9/1375
See application file for complete search history.

(56) **References Cited**

U.S. PATENT DOCUMENTS

D517,708 S * 3/2006 Phillips D26/28
D547,888 S * 7/2007 Conway D26/28

D565,758 S * 4/2008 Conway D26/28
D590,079 S * 4/2009 Higashikawa D26/28
D592,328 S * 5/2009 Chen D26/28
D637,320 S * 5/2011 Yang D26/28

* cited by examiner

Primary Examiner — Marcus A Jackson

(74) *Attorney, Agent, or Firm* — Michael Best & Friedrich LLP

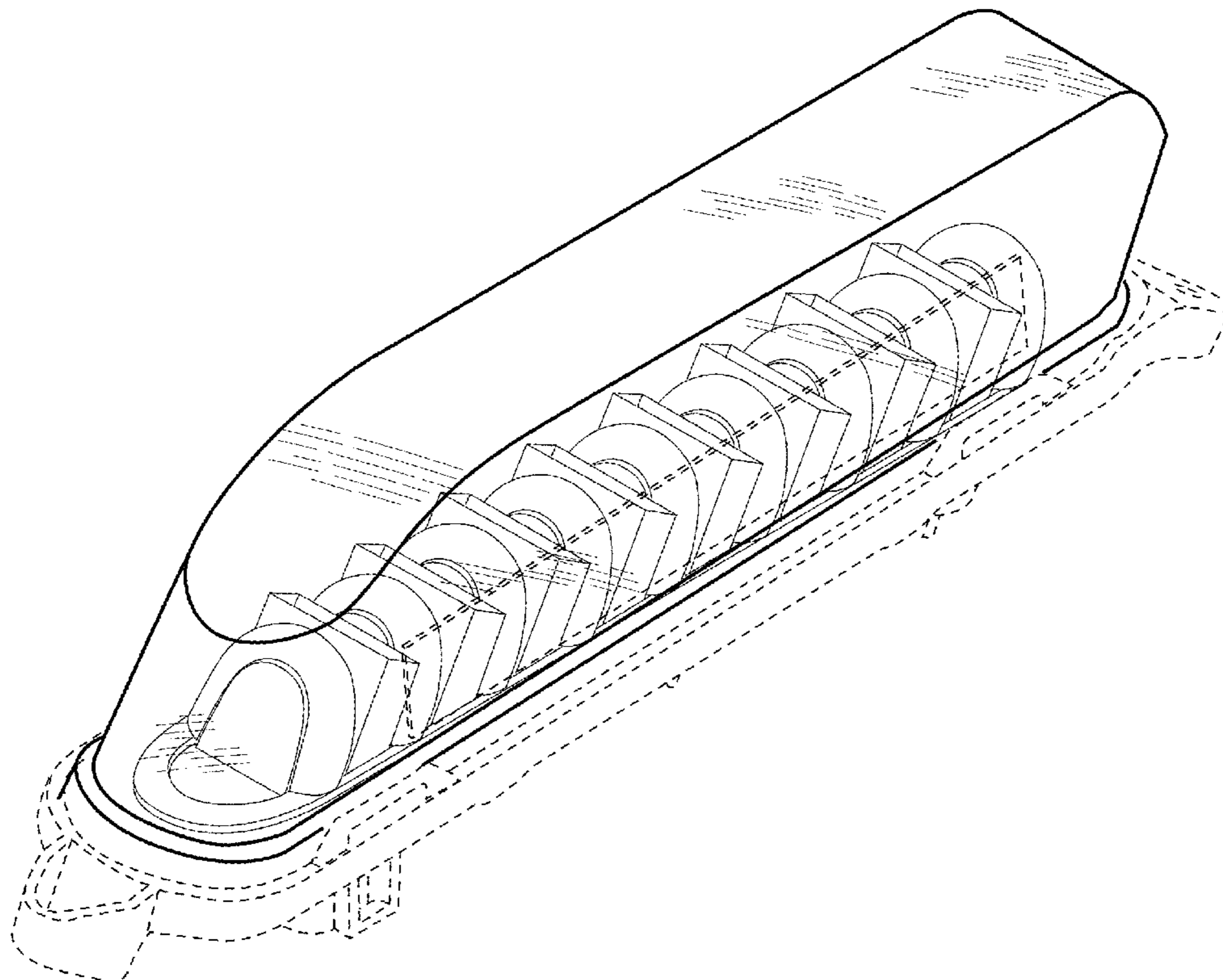
(57) **CLAIM**

The ornamental design for a taillight for a motorcycle, as shown and described.

DESCRIPTION

FIG. 1 is a perspective view of the taillight for a motorcycle. FIG. 2 is an elevational view of the side of the taillight for a motorcycle. FIG. 3 is an elevational view of the opposite side of the taillight for a motorcycle shown in FIG. 2. FIG. 4 is an elevational view of the front end of the taillight for a motorcycle. FIG. 5 is an elevational view of the back end of the taillight for a motorcycle shown in FIG. 4. FIG. 6 is top plane view of the taillight for a motorcycle; and, FIG. 7 is a bottom plane view of the taillight for a motorcycle.

1 Claim, 7 Drawing Sheets



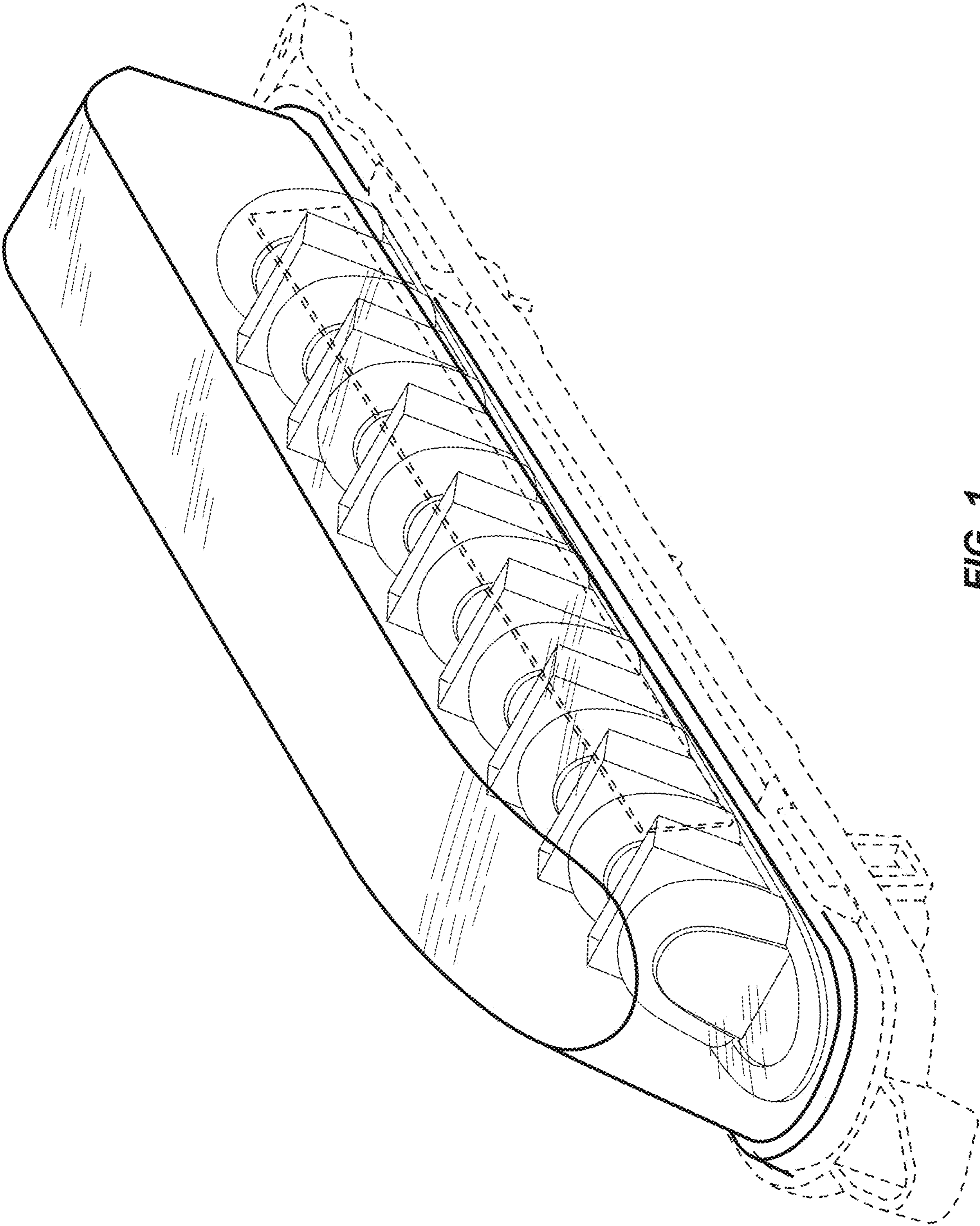


FIG. 1

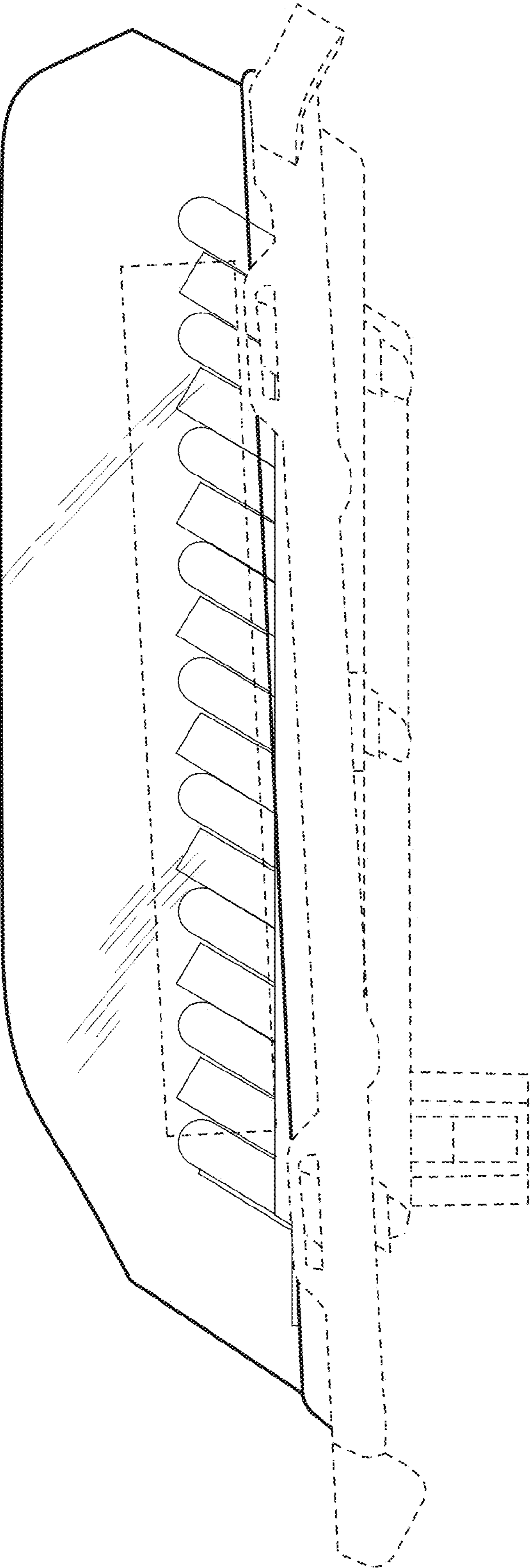


FIG. 2

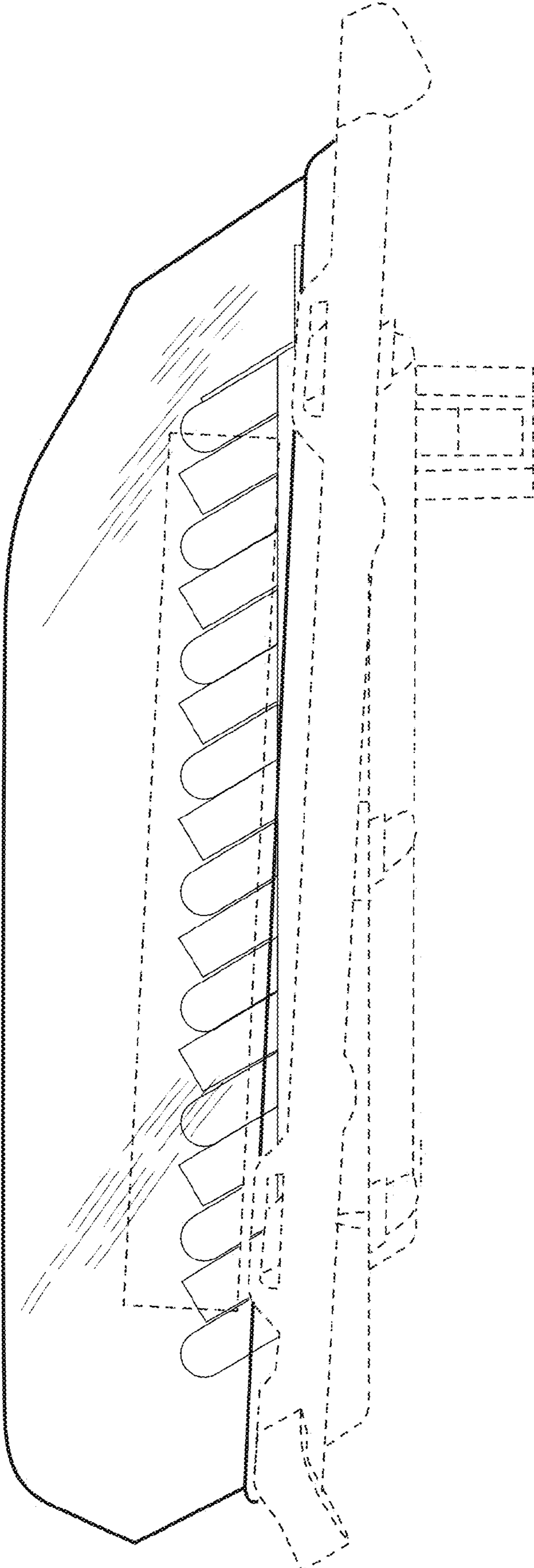


FIG. 3

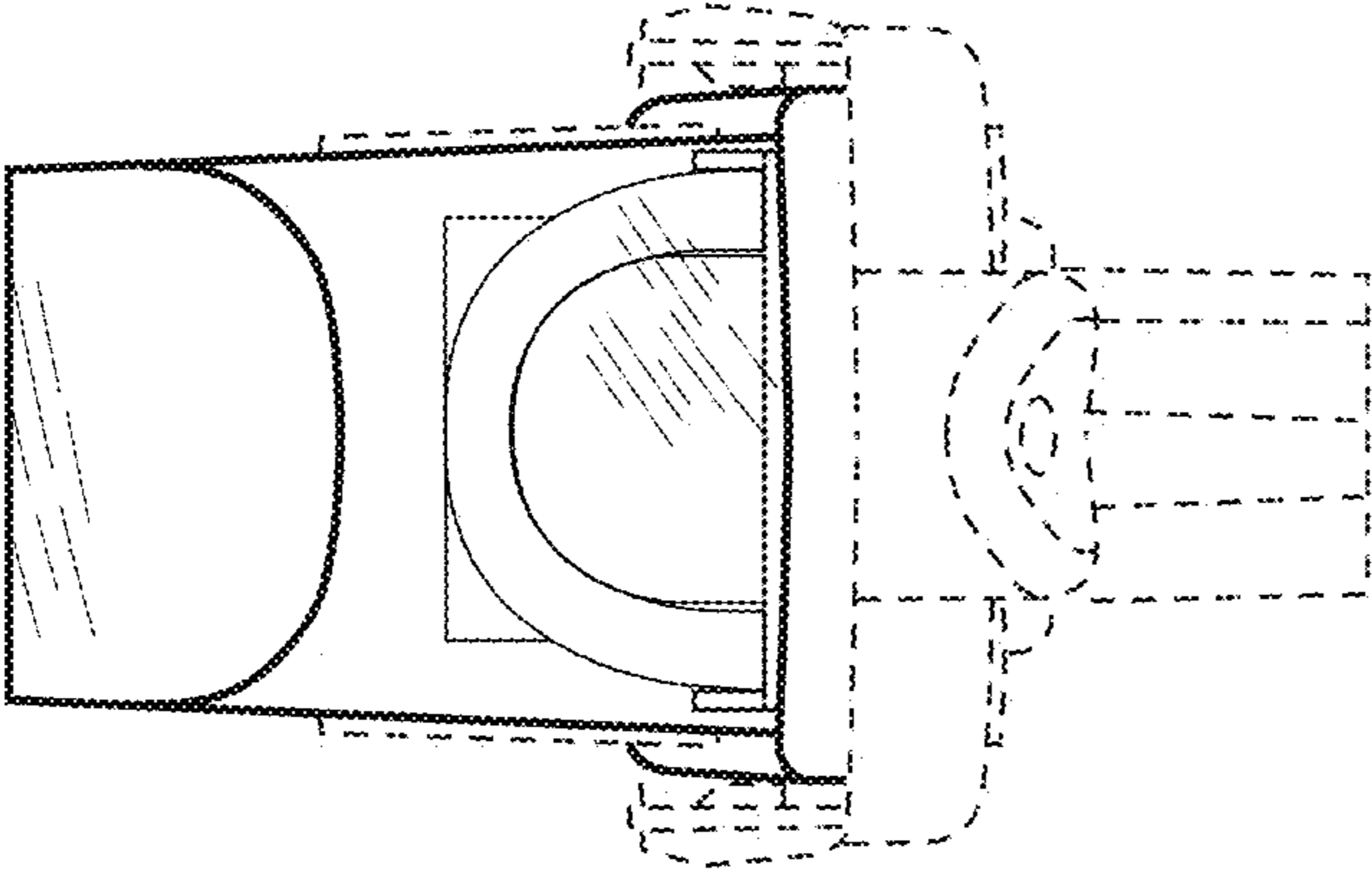


FIG. 4

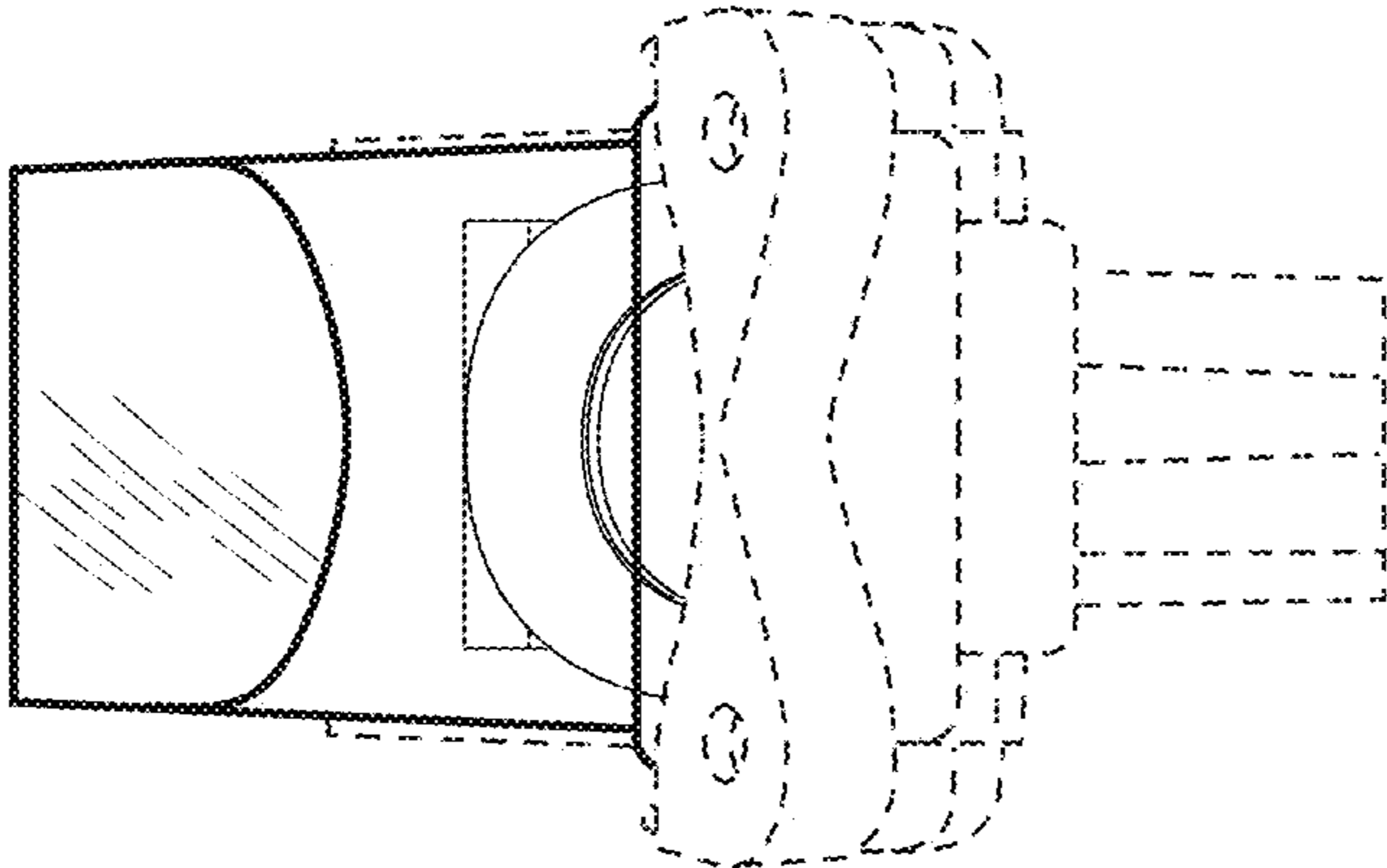


FIG. 5

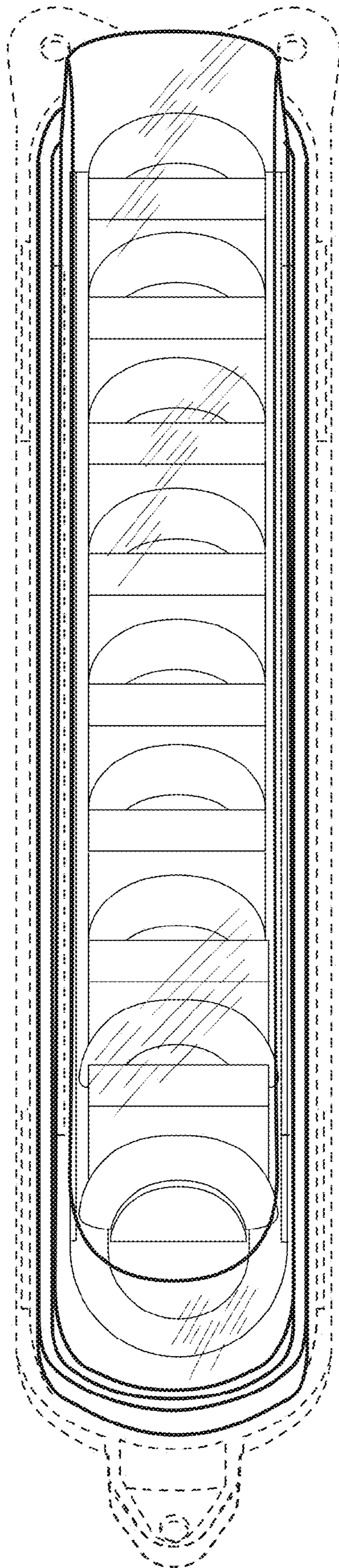


FIG. 6

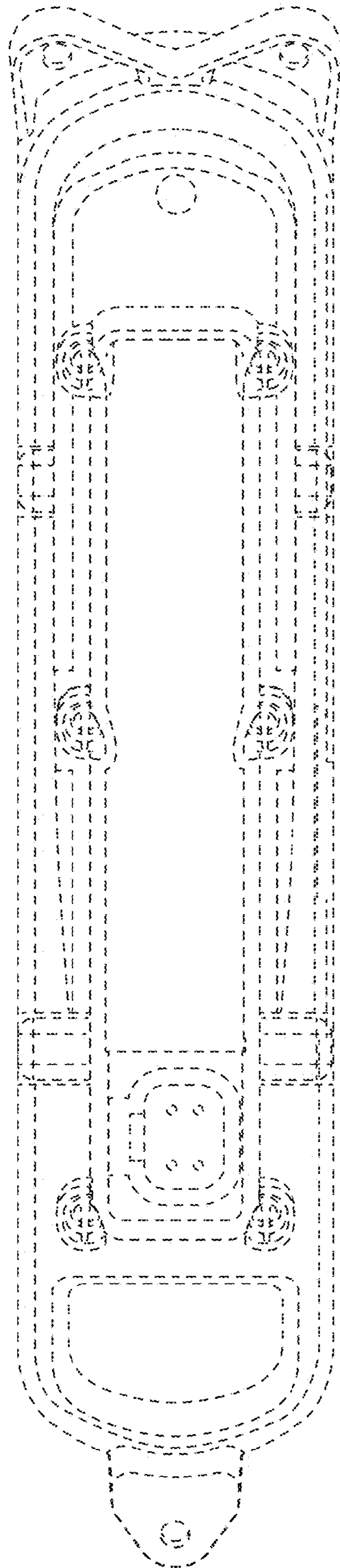


FIG. 7