



US00D893766S

(12) **United States Design Patent**
Sokol

(10) **Patent No.:** **US D893,766 S**

(45) **Date of Patent:** **** Aug. 18, 2020**

(54) **LIGHTING APPARATUS**

(71) Applicant: **Seville Classics Inc.**, Torrance, CA
(US)

(72) Inventor: **James Sokol**, Brea, CA (US)

(73) Assignee: **Seville Classics Inc.**, Torrance, CA
(US)

(**) Term: **15 Years**

(21) Appl. No.: **29/655,523**

(22) Filed: **Jul. 4, 2018**

(51) **LOC (12) Cl.** **26-03**

(52) **U.S. Cl.**
USPC **D26/24; D26/63**

(58) **Field of Classification Search**
USPC D26/1, 24, 27, 37, 51, 63, 93, 94, 96,
D26/104, 106, 110, 112; D10/109.1
CPC F21S 6/00; F21S 6/002; F21S 6/004; F21S
10/00; F21W 2121/00; F21W 2131/10;
F21W 2131/30; F21W 2121/308; F21V
21/02; F21V 21/08; F21V 2200/00; F21V
14/02
See application file for complete search history.

(56) **References Cited**

U.S. PATENT DOCUMENTS

7,207,696 B1 * 4/2007 Lin F21V 14/02
362/232
D603,545 S * 11/2009 Levine D26/63

D614,793 S * 4/2010 Chan D26/63
D851,789 S * 6/2019 Johnson D26/24
D866,816 S * 11/2019 Wang D26/24
D870,340 S * 12/2019 Gruendl D26/63

* cited by examiner

Primary Examiner — Brian N. Vinson

(74) *Attorney, Agent, or Firm* — Raymond Sun

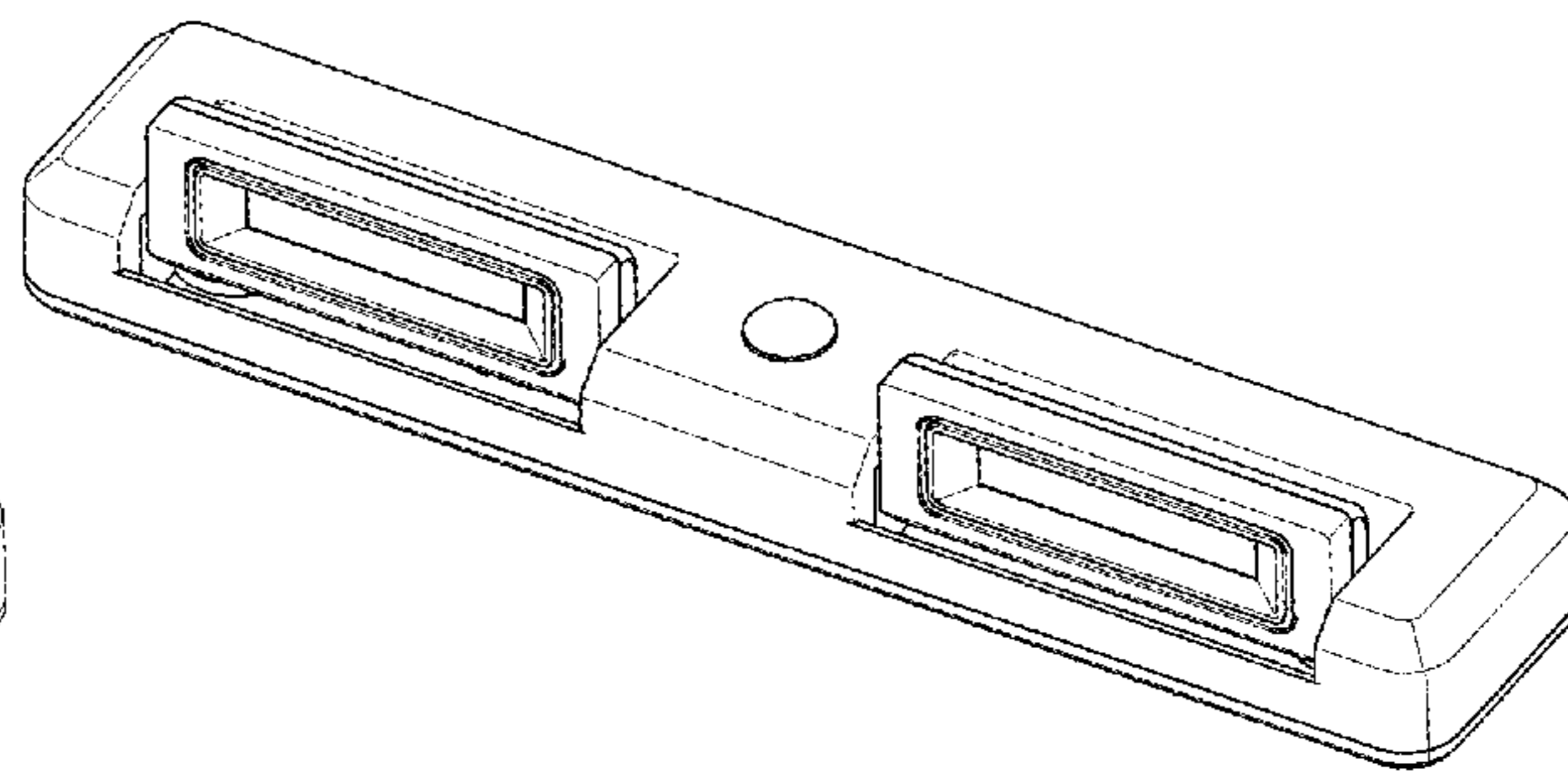
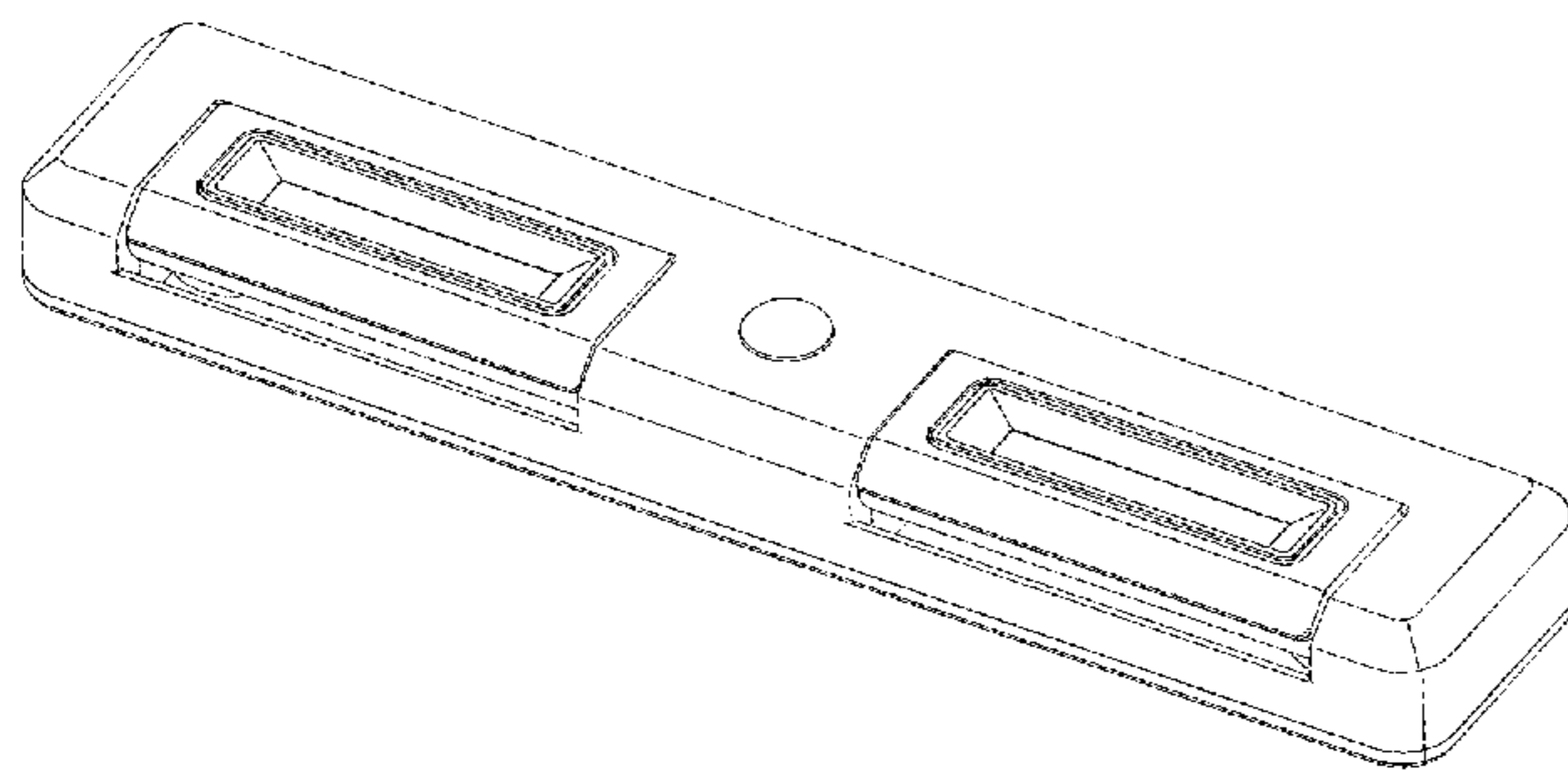
(57) **CLAIM**

The ornamental design for a lighting apparatus, as shown and described.

DESCRIPTION

FIG. 1 is a front perspective view of a lighting apparatus showing one embodiment of our new design showing the two lights in a first position.
FIG. 2 is a top view thereof.
FIG. 3 is a rear view thereof.
FIG. 4 is a front view thereof.
FIG. 5 is a left view thereof.
FIG. 6 is a right view thereof.
FIG. 7 is a front perspective view of the lighting apparatus of FIG. 1 showing the two lights in a second position.
FIG. 8 is a top view of the lighting apparatus of FIG. 7.
FIG. 9 is a rear view of the lighting apparatus of FIG. 7.
FIG. 10 is a front view of the lighting apparatus of FIG. 7.
FIG. 11 is a left view of the lighting apparatus of FIG. 7; and,
FIG. 12 is a right view of the lighting apparatus of FIG. 7.

1 Claim, 12 Drawing Sheets



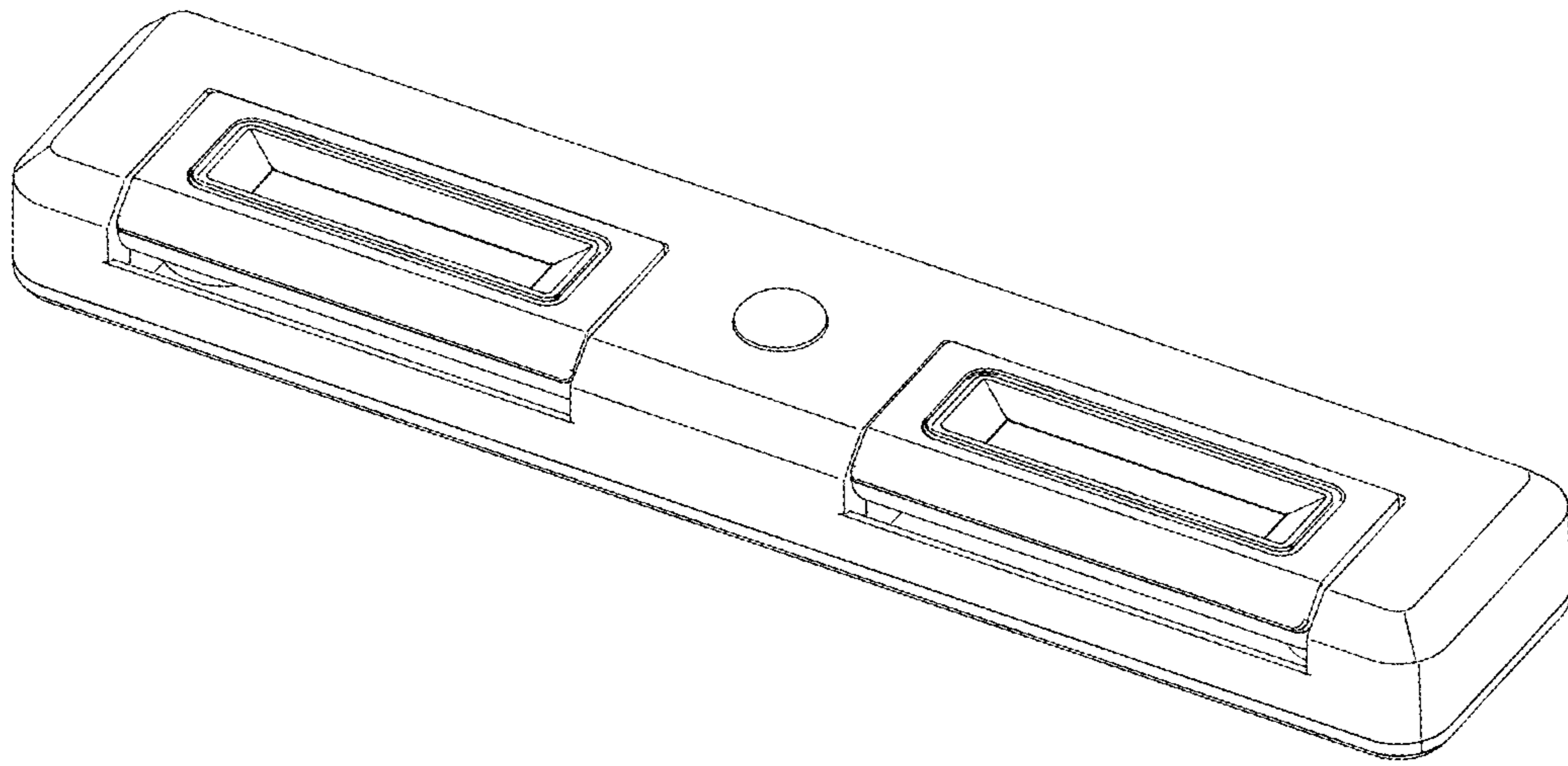


FIG. 1

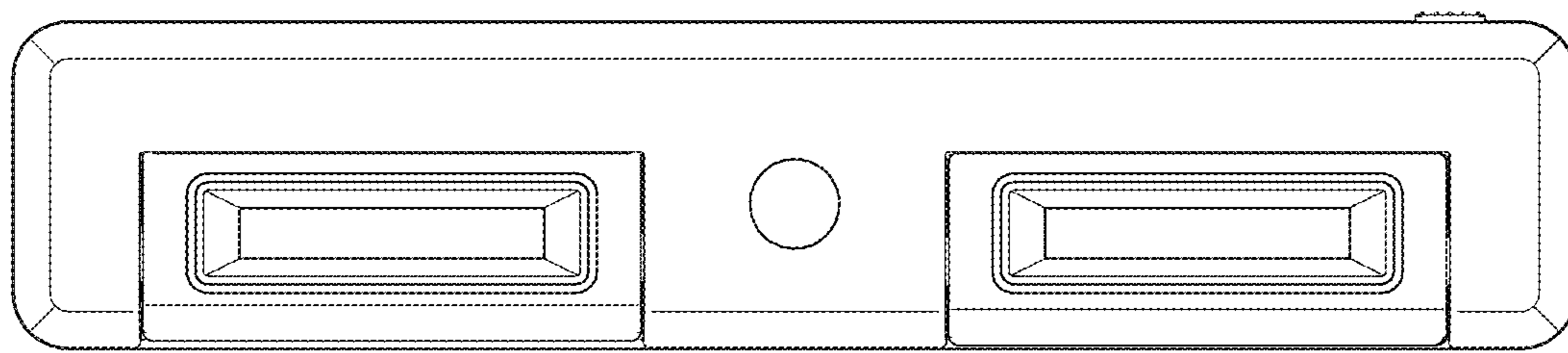


FIG. 2

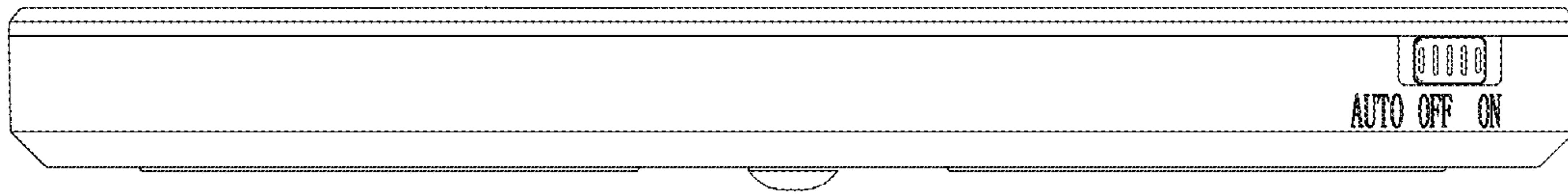


FIG. 3

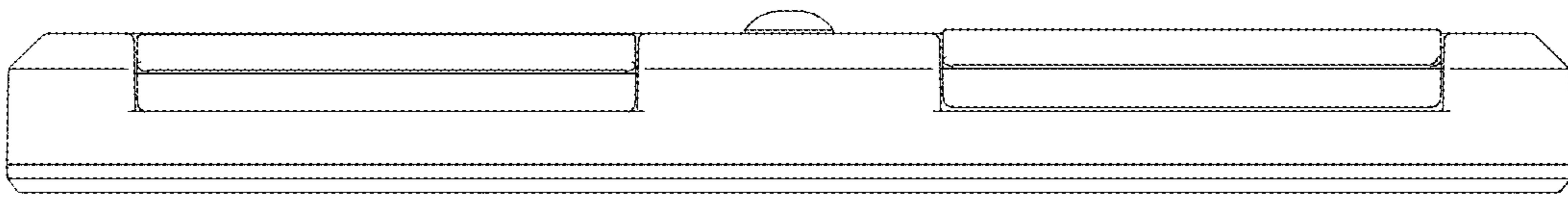


FIG. 4

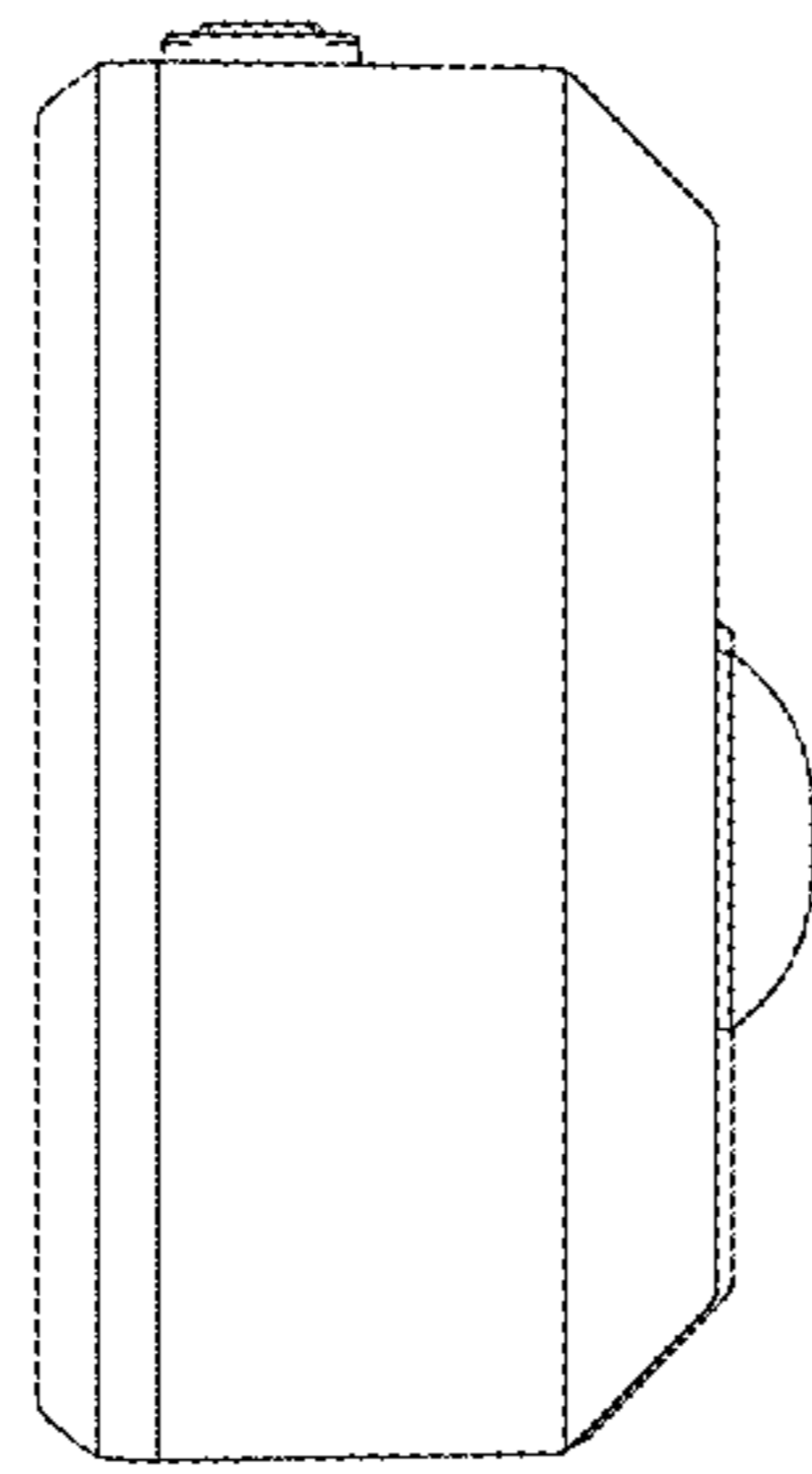


FIG. 5

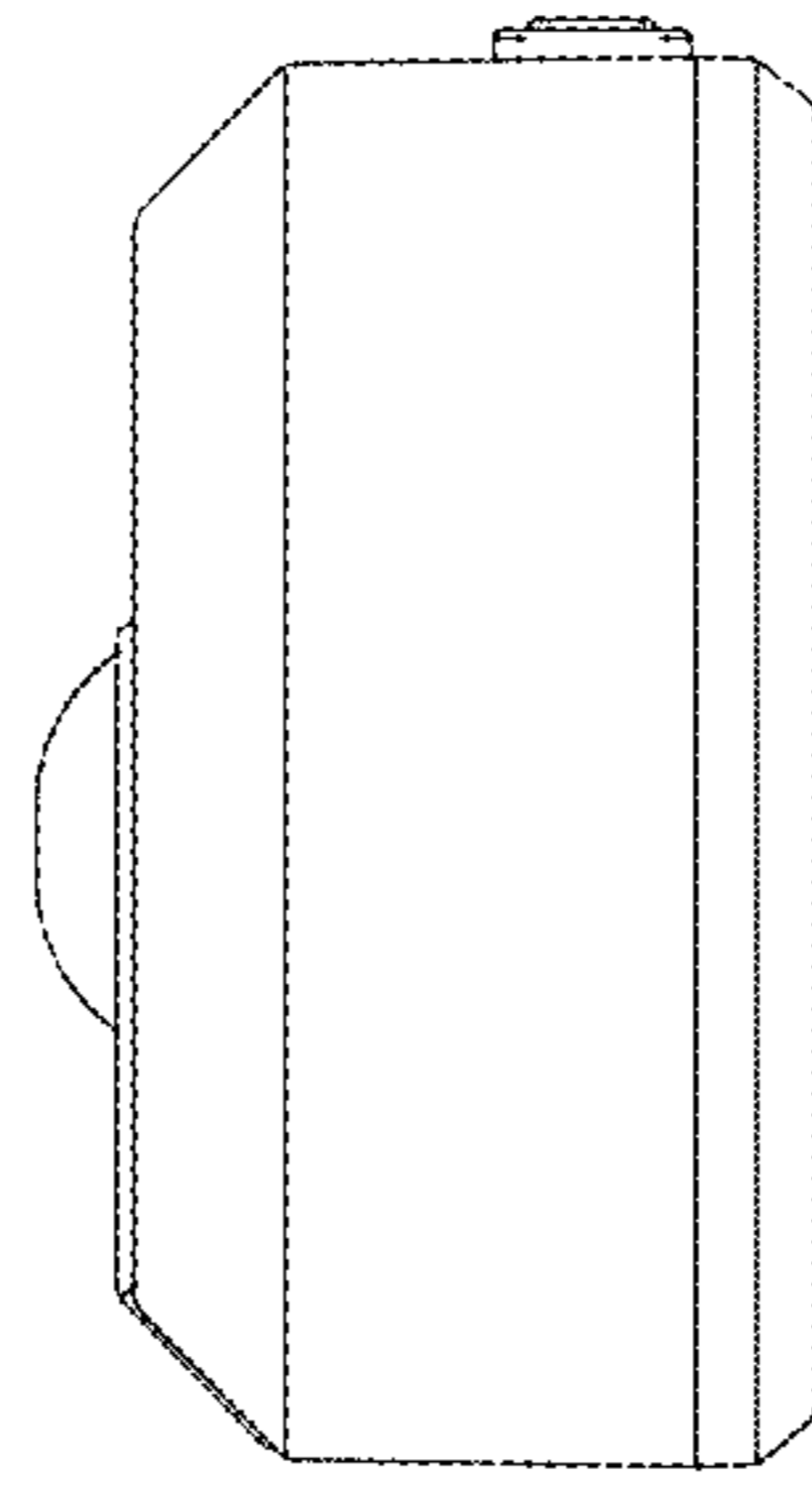


FIG. 6

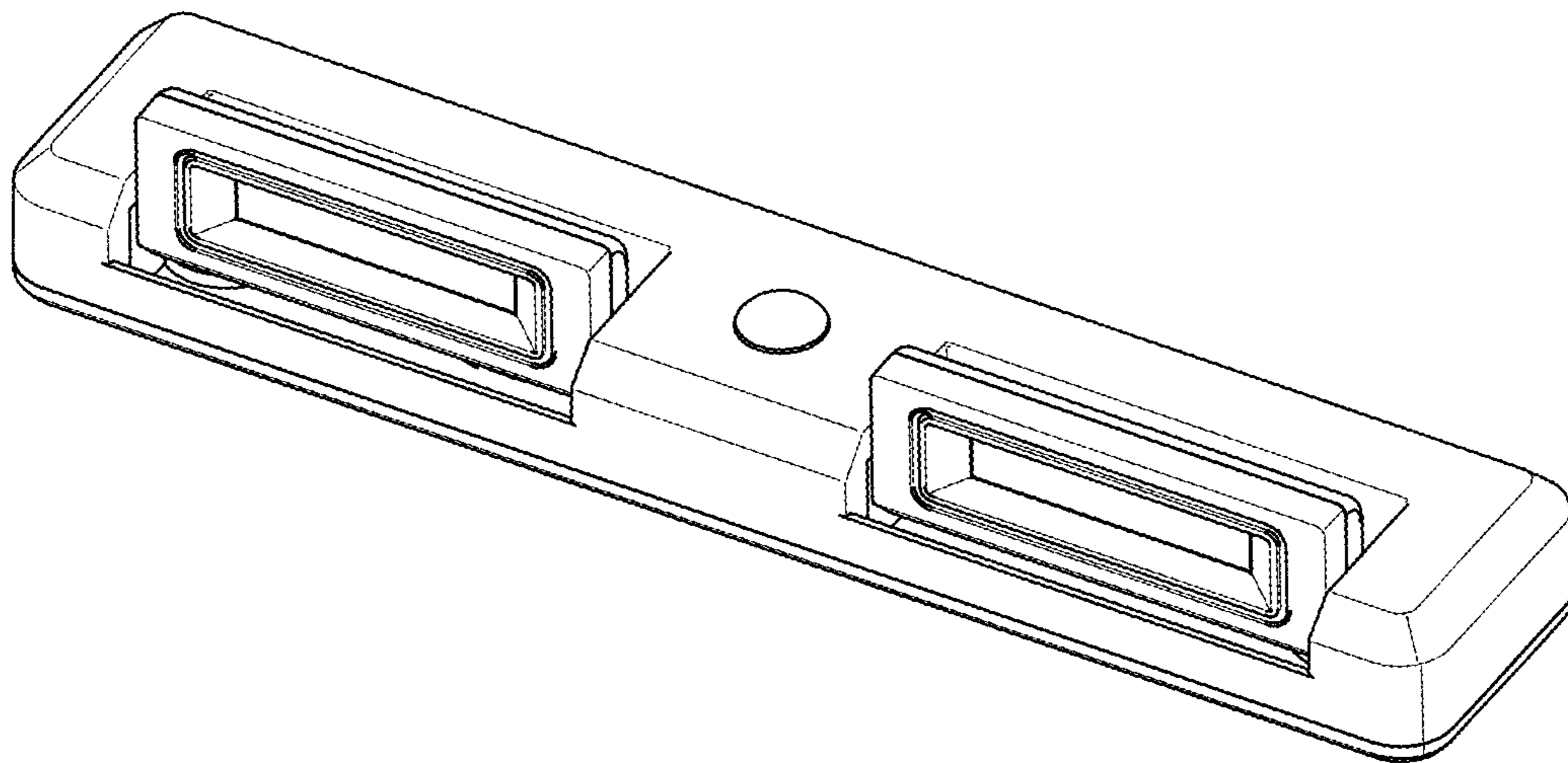


FIG. 7

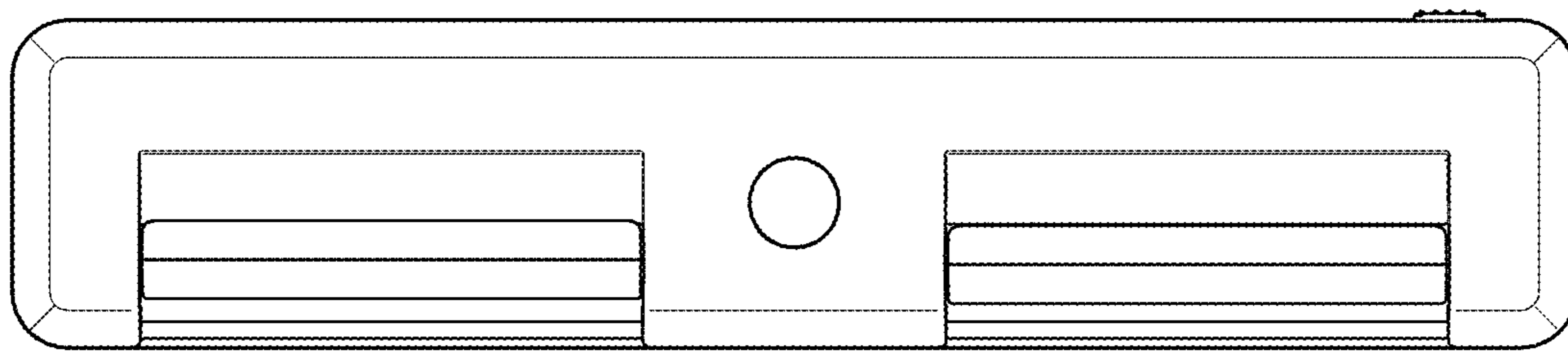


FIG. 8

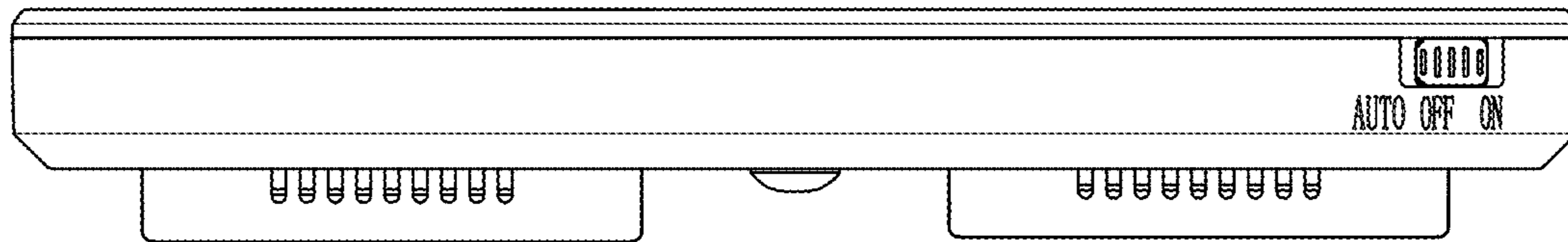


FIG. 9

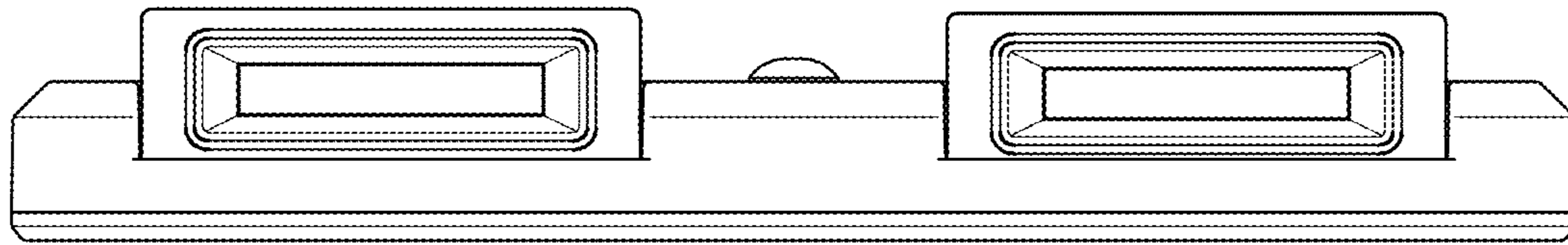


FIG.10

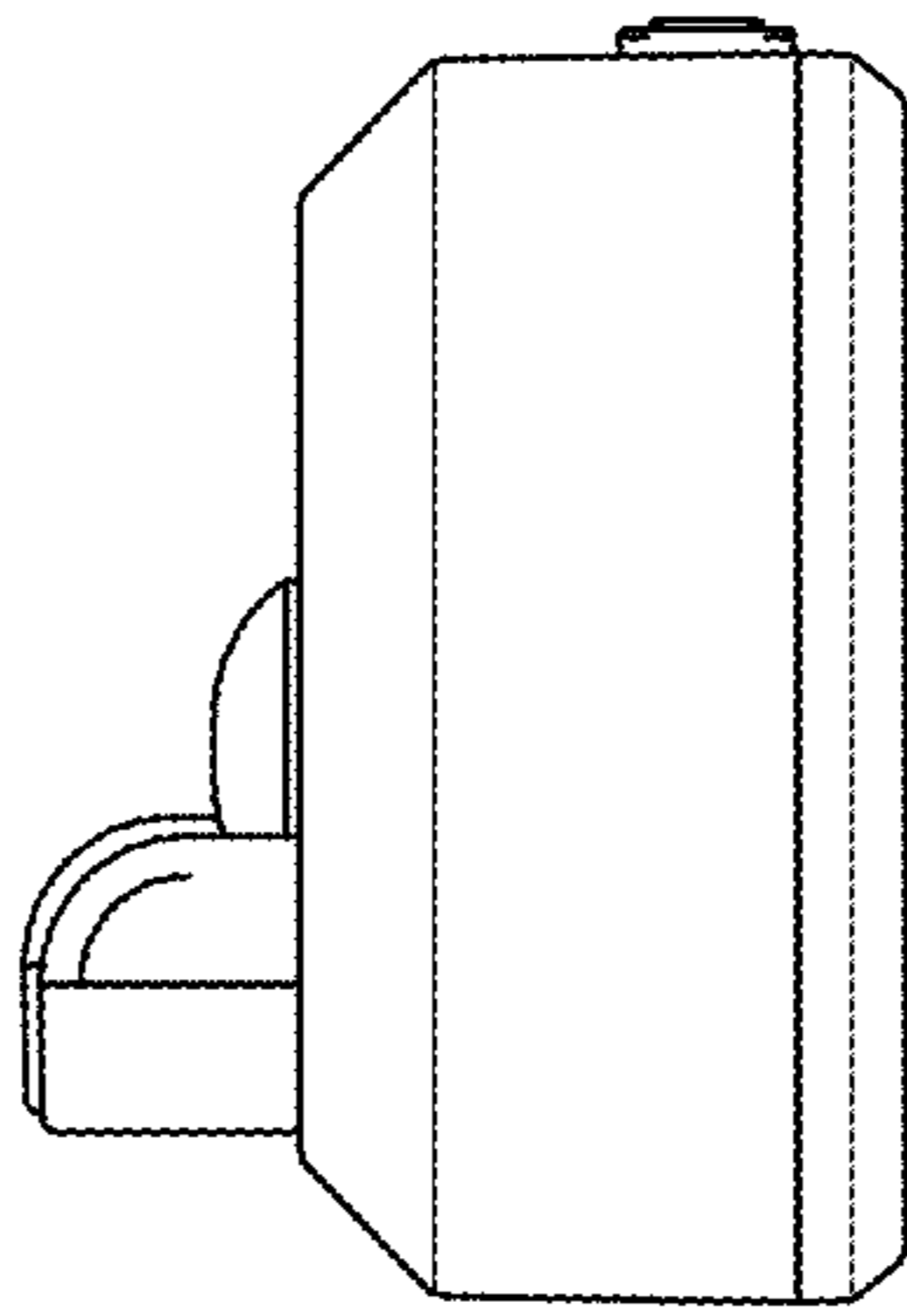


FIG.11

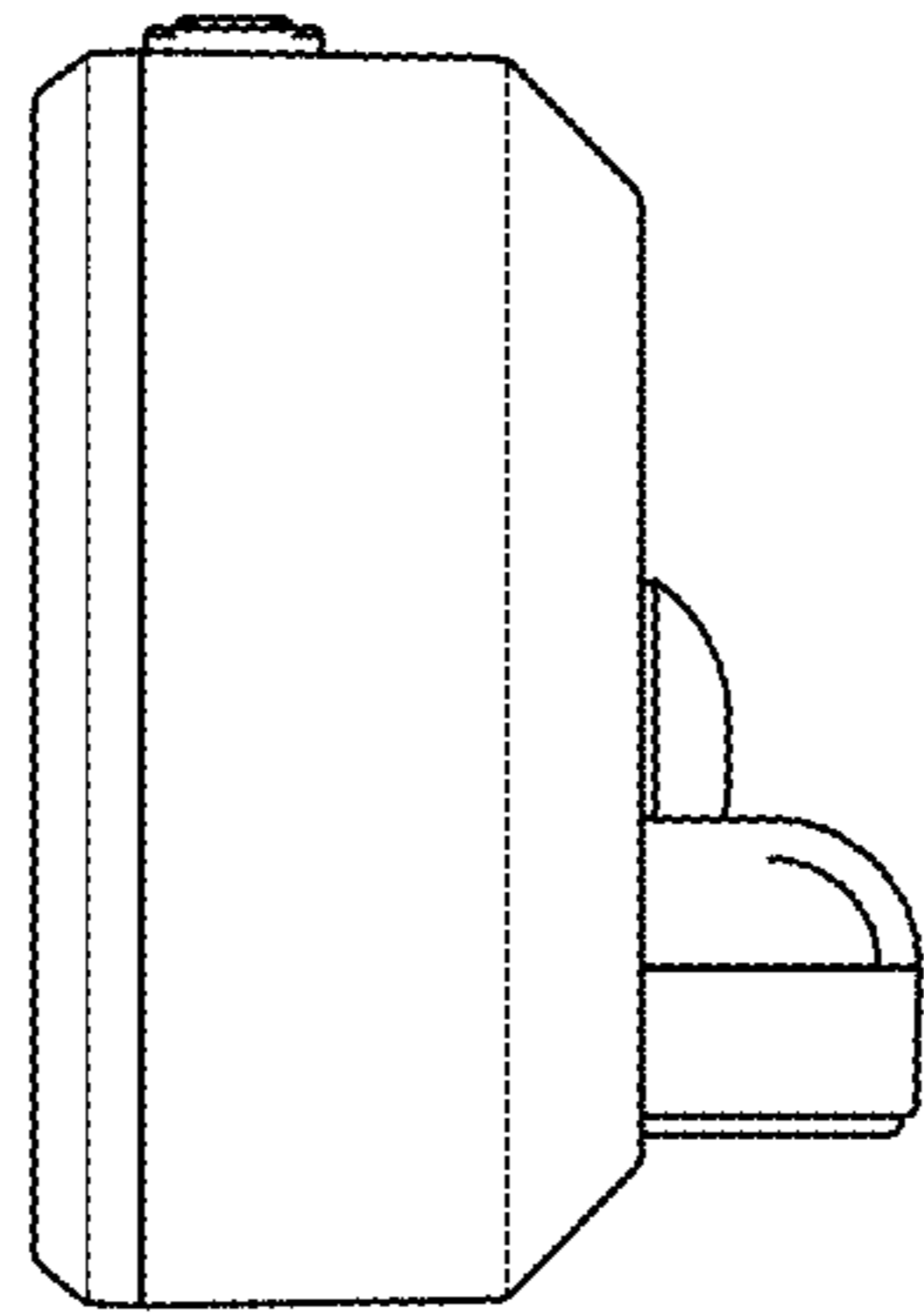


FIG.12