



US00D893765S

(12) **United States Design Patent** (10) **Patent No.:** **US D893,765 S**
Yang et al. (45) **Date of Patent:** **** Aug. 18, 2020**

(54) **WIRELESS CONTROLLABLE LIGHT BULB**

(56) **References Cited**

(71) Applicant: **ETEK CITY CORPORATION**,
Anaheim, CA (US)

U.S. PATENT DOCUMENTS

(72) Inventors: **Lin Yang**, Shenzhen (CN); **Hai Yang**,
Shenzhen (CN)

D508,575 S *	8/2005	Buschmann	D26/2
D680,246 S *	4/2013	Jang	D26/2
D748,296 S *	1/2016	Reier	D26/2
D799,075 S *	10/2017	Harrison	D26/2

(**) Term: **15 Years**

* cited by examiner

(21) Appl. No.: **29/688,762**

Primary Examiner — Marcus A Jackson

(22) Filed: **Apr. 24, 2019**

(74) *Attorney, Agent, or Firm* — Tsz Lung Yeung

(30) **Foreign Application Priority Data**

(57) **CLAIM**

The ornamental design for a wireless controllable light bulb,
as shown and described.

Dec. 14, 2018 (CN) 2018 3 0726874

DESCRIPTION

(51) **LOC (12) Cl.** **26-04**

(52) **U.S. Cl.**
USPC **D26/2**

(58) **Field of Classification Search**

USPC D26/1-4

CPC H01R 5/00; H01R 13/46; H01R 13/514;

H01R 31/048; H01R 31/02; H01J 5/00;

H01J 5/16; H01J 1/02; H01J 15/00; H01J

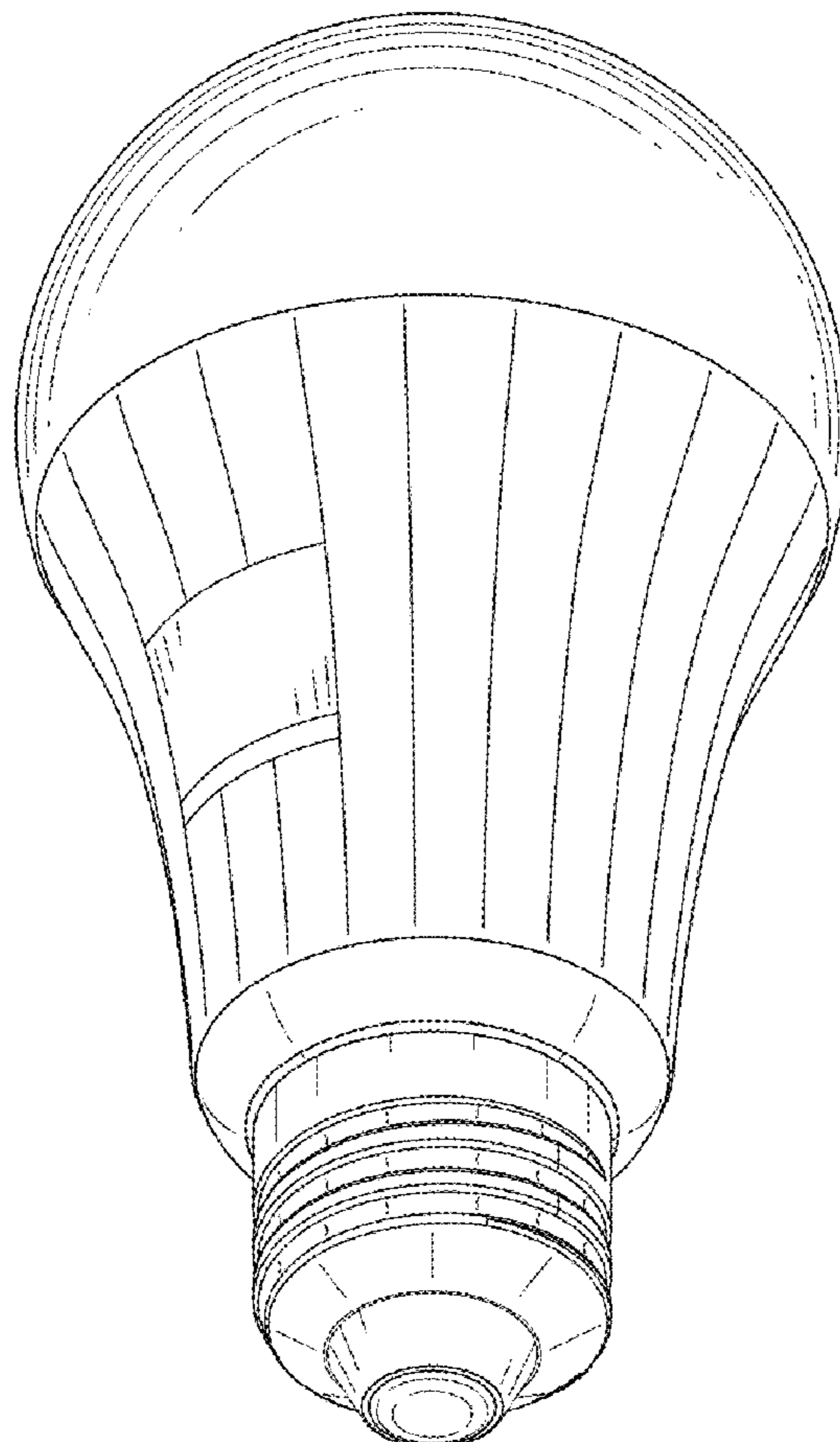
5/48; H01J 5/50; H01J 19/54; F21V 5/00;

F21K 9/13; F21K 9/135; F21K 9/1375

See application file for complete search history.

FIG. 1 is a perspective view of a wireless controllable light bulb showing my new design;
 FIG. 2 is a front view thereof;
 FIG. 3 is a rear view thereof;
 FIG. 4 is a right side view thereof;
 FIG. 5 is a left side view thereof;
 FIG. 6 is a top view thereof;
 FIG. 7 is a bottom view thereof; and,
 FIG. 8 is a bottom perspective view thereof.

1 Claim, 5 Drawing Sheets



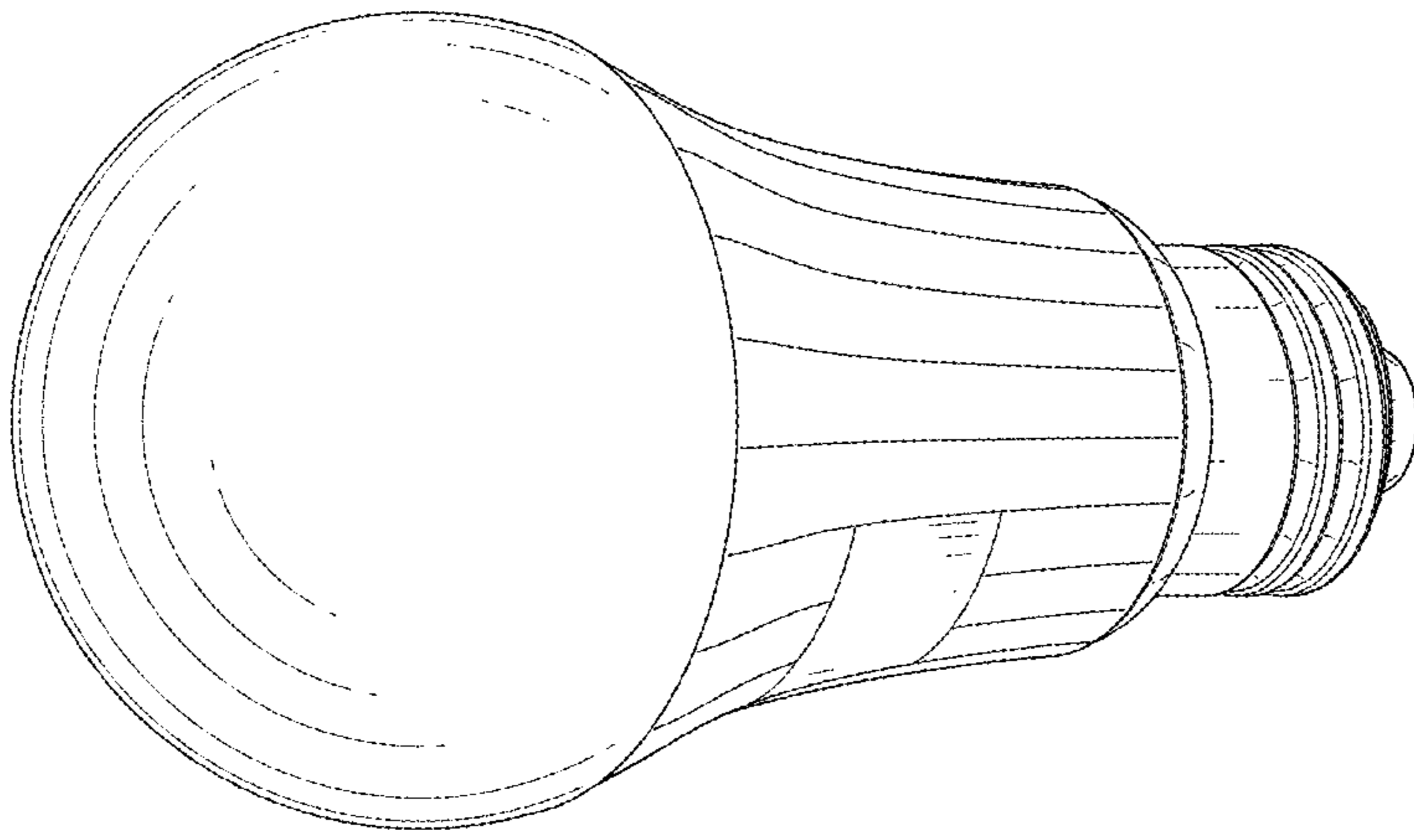


FIG. 1

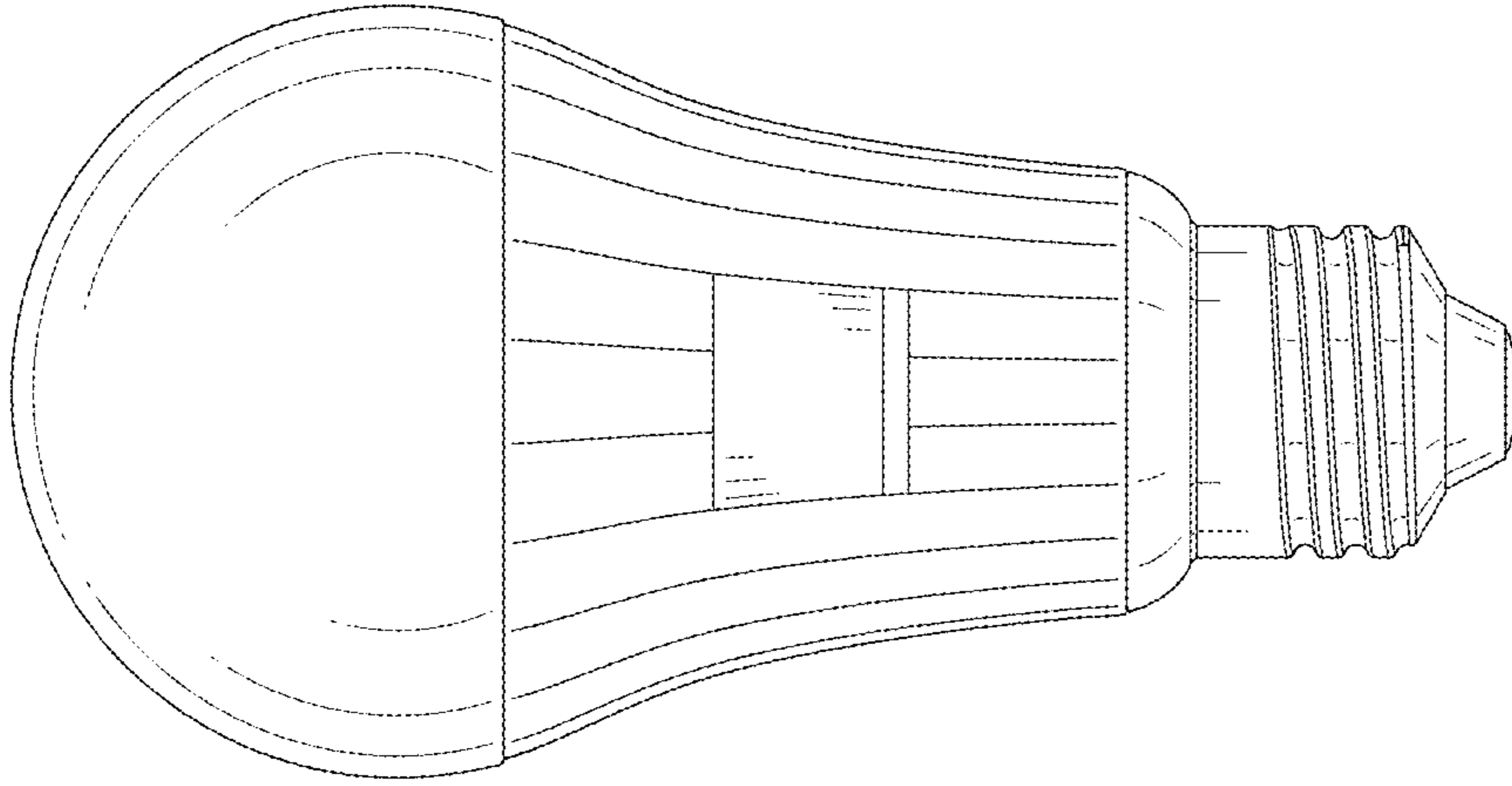


FIG. 3

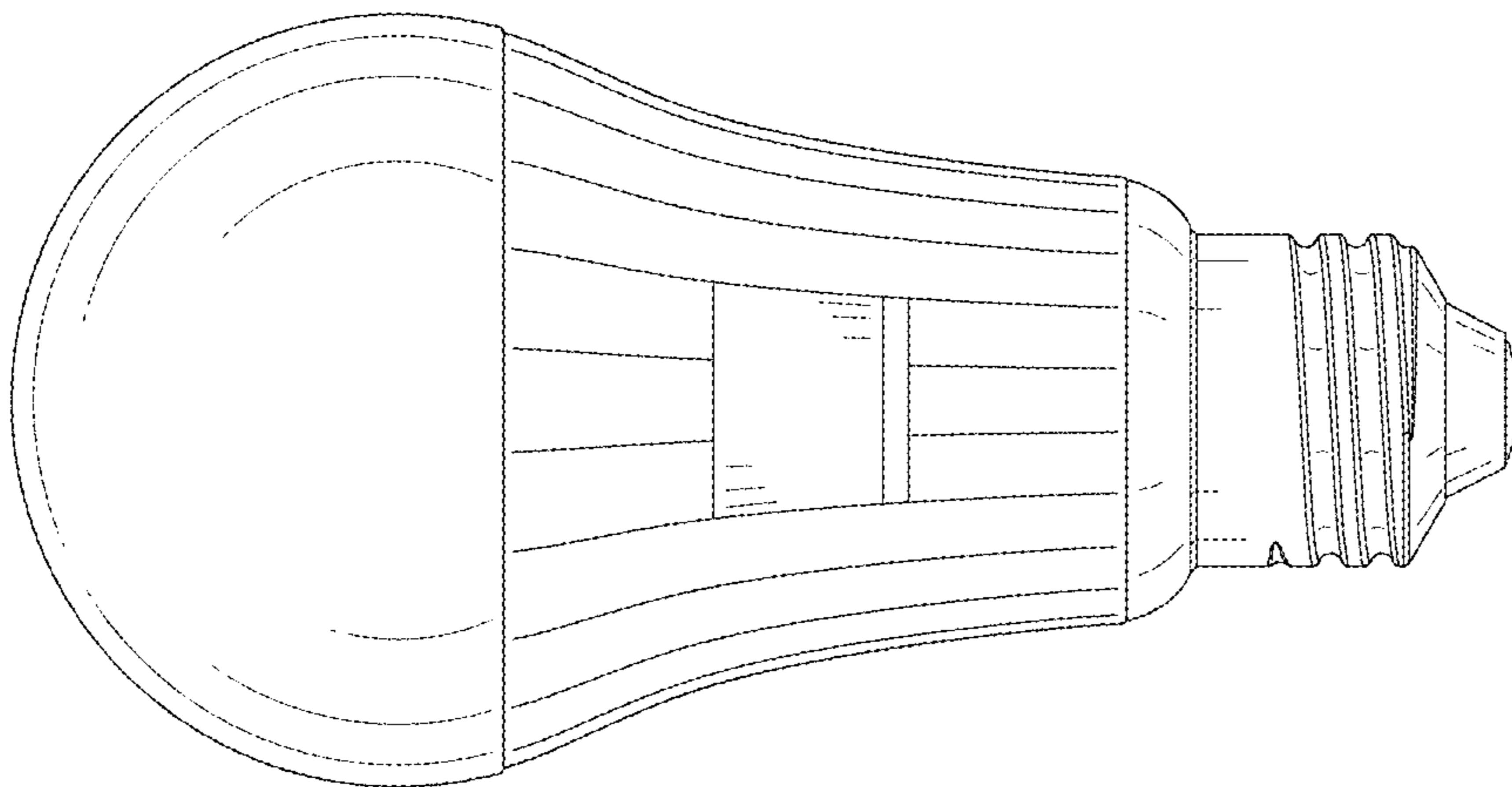


FIG. 2

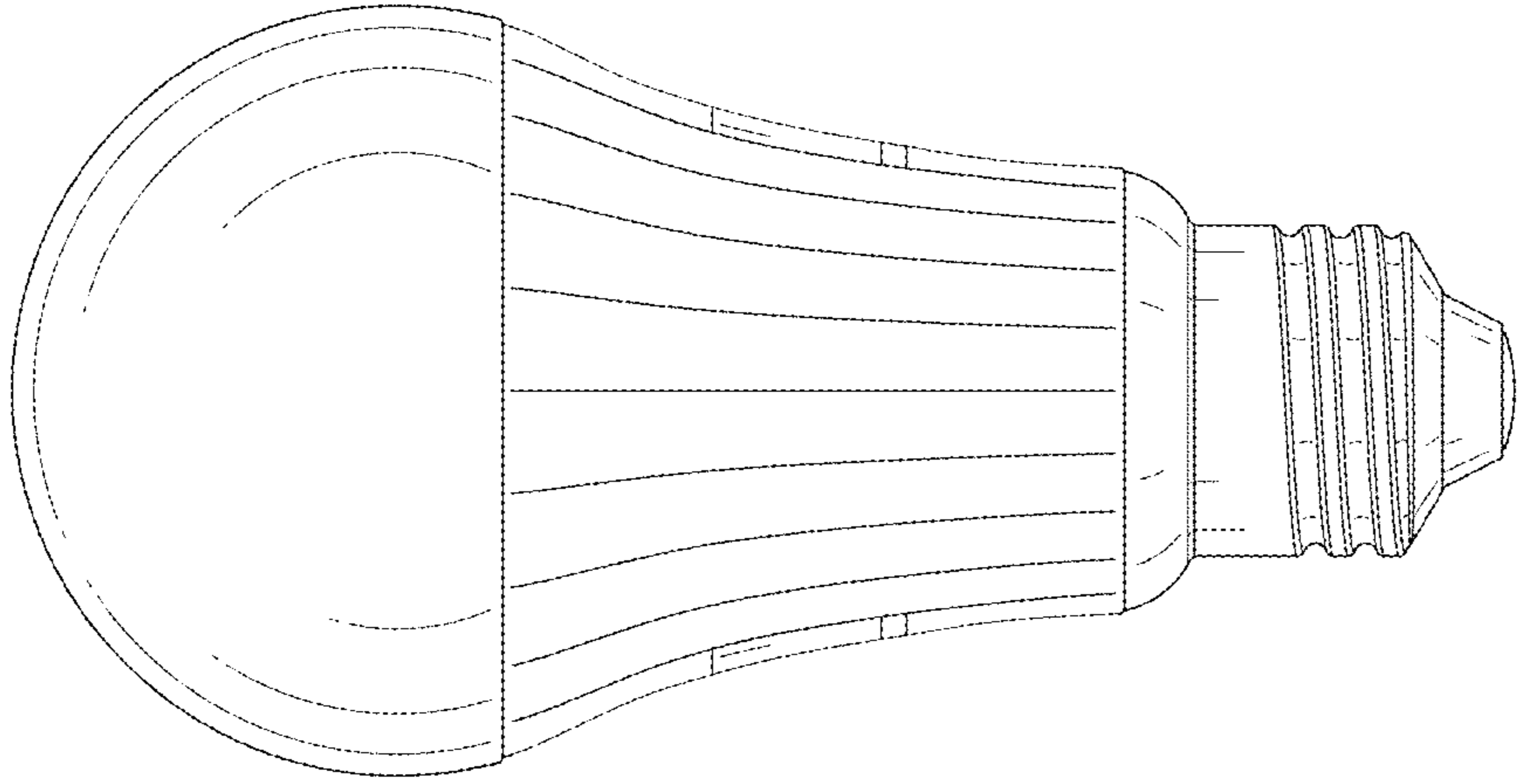


FIG. 4

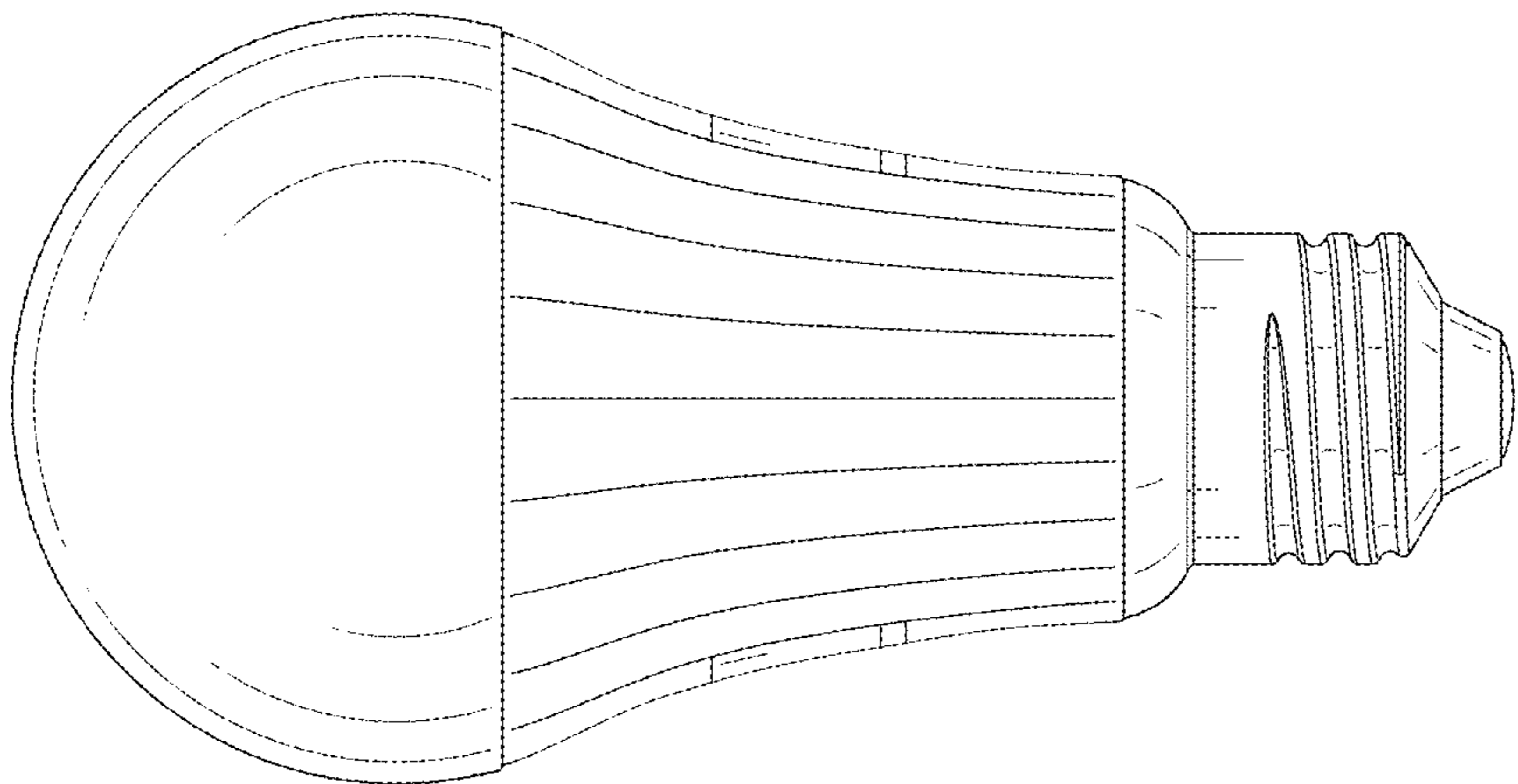


FIG. 5

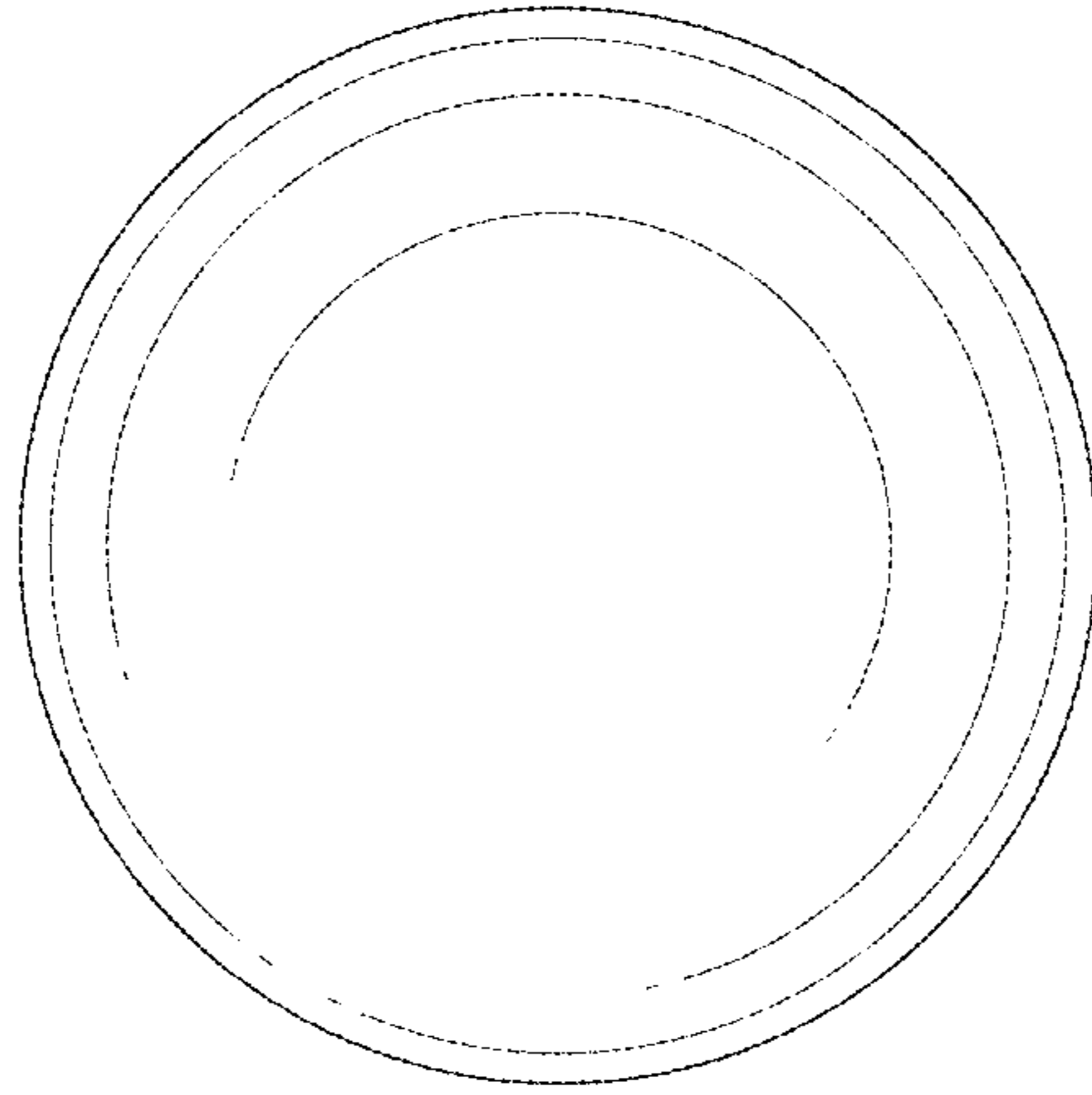


FIG. 7

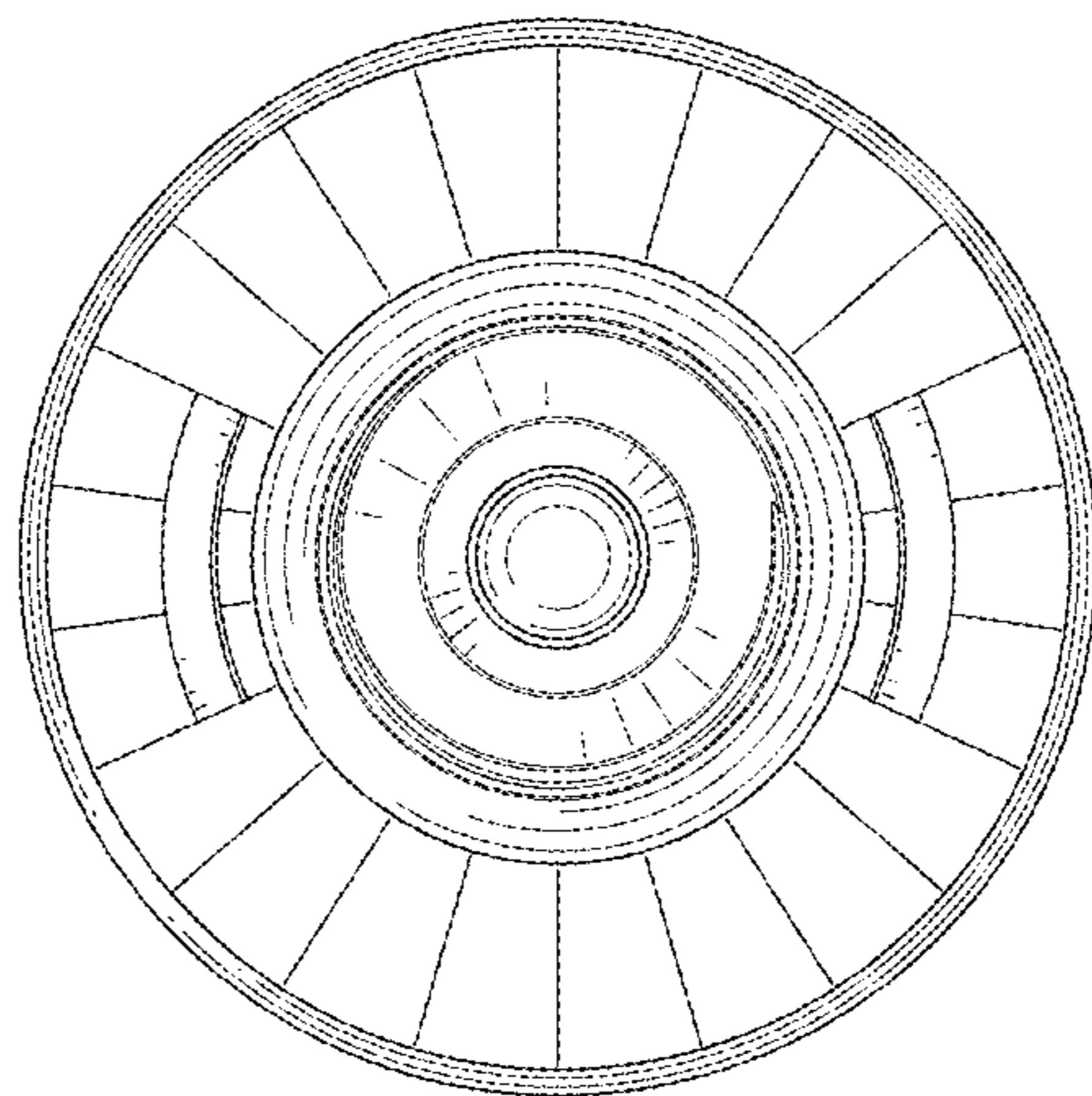


FIG. 6

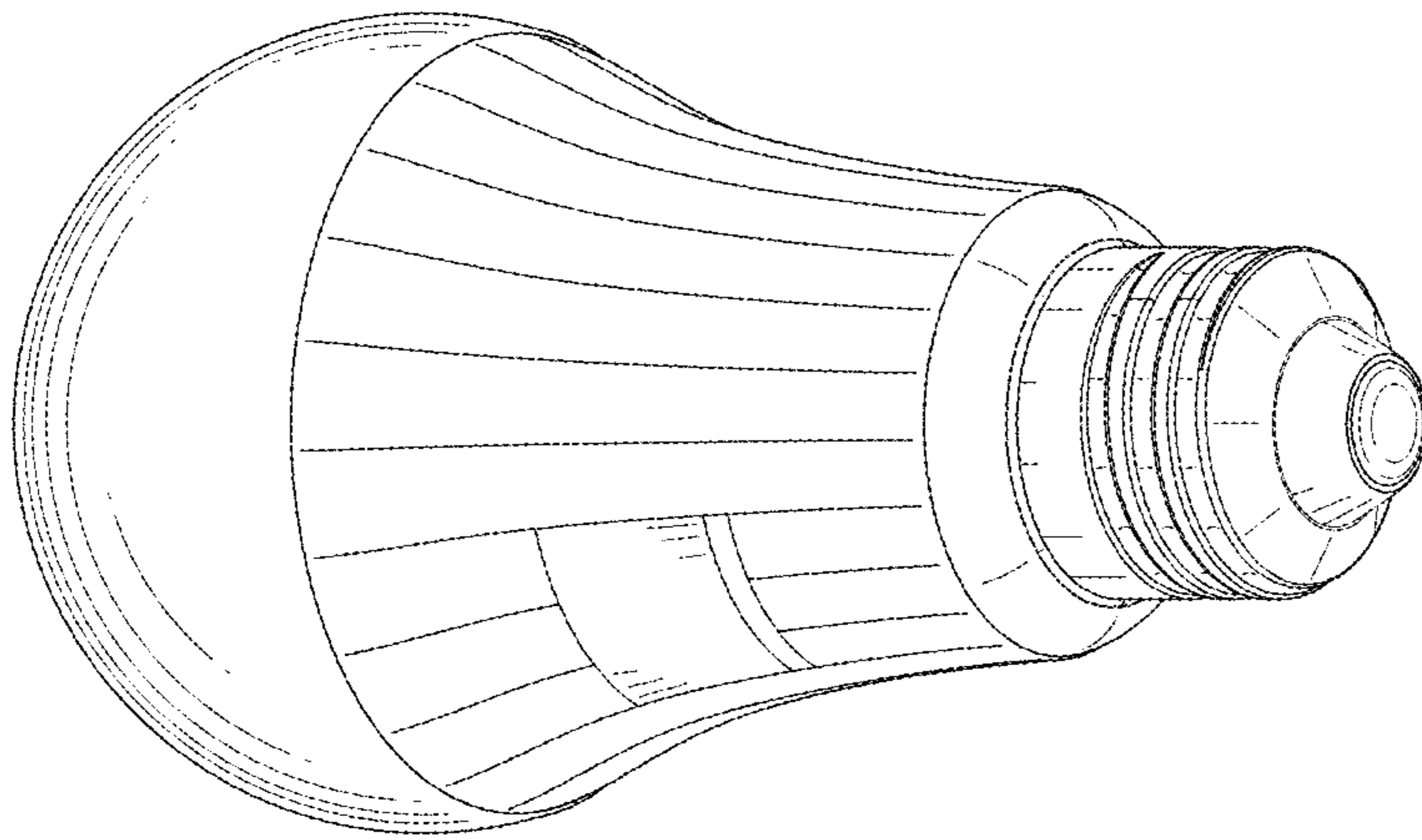


FIG. 8