



US00D893758S

(12) **United States Design Patent** (10) **Patent No.:** **US D893,758 S**
Rosan (45) **Date of Patent:** **** Aug. 18, 2020**

(54) **WALL CONNECTOR**
(71) Applicant: **EverBlock Systems, LLC**, New York, NY (US)
(72) Inventor: **Arnon Rosan**, New York, NY (US)
(73) Assignee: **EverBlock Systems, LLC**, New York, NY (US)
(**) Term: **15 Years**

D783,731 S 4/2017 Rosan
D786,586 S 5/2017 Rosan
D791,885 S 7/2017 Rosan
D800,846 S 10/2017 Rosan
D809,162 S 1/2018 Rosan
10,196,626 B2 2/2019 Rosan

FOREIGN PATENT DOCUMENTS

CN 302705199 * 1/2014
CN 302705202 * 1/2014
SG 30201501903S-0001 * 3/2016

(21) Appl. No.: **29/672,876**
(22) Filed: **Dec. 10, 2018**
(51) **LOC (12) Cl.** **25-01**
(52) **U.S. Cl.**
USPC **D25/61; D25/138**
(58) **Field of Classification Search**
USPC D8/349, 354, 373, 382, 384;
D21/483-486, 489-491, 493, 494, 499,
D21/500-502, 504, 505; D25/60, 61,
D25/113, 114, 115, 118, 133, 135, 136,
D25/138, 152, 153, 156, 157, 158, 164,
D25/199
CPC ... E04B 2/14; E04B 1/00; E04B 1/003; E04C
2/08; E04C 2/14; E04C 2/18; E04C
2/205; E04C 2/22
See application file for complete search history.

OTHER PUBLICATIONS

EverPanel Specification Sheet <https://static1.squarespace.com/static/5484733fe4b0c710260b03b2/t/5ceffcc030f0ff0001392869/1559231680575/EverPanel+-+Specification+Sheet+%282%29.pdf>
Retrieved Dec. 27, 2019 (Year: 2019).*
Best-Rite Fabric Standard Modular Panel, 6'x5', Gray; Staples website, Dec. 7, 2018 (7 pages); https://www.staples.com/Best-Rite-Fabric-Standard-Modular-Panel-6x5-Gary/product_302619.

* cited by examiner

Primary Examiner — Leanne Was-Englehart
(74) *Attorney, Agent, or Firm* — Metz Lewis Brodman Must O'Keefe LLC

(57) **CLAIM**

The ornamental design for a wall connector, as shown and described.

(56) **References Cited**

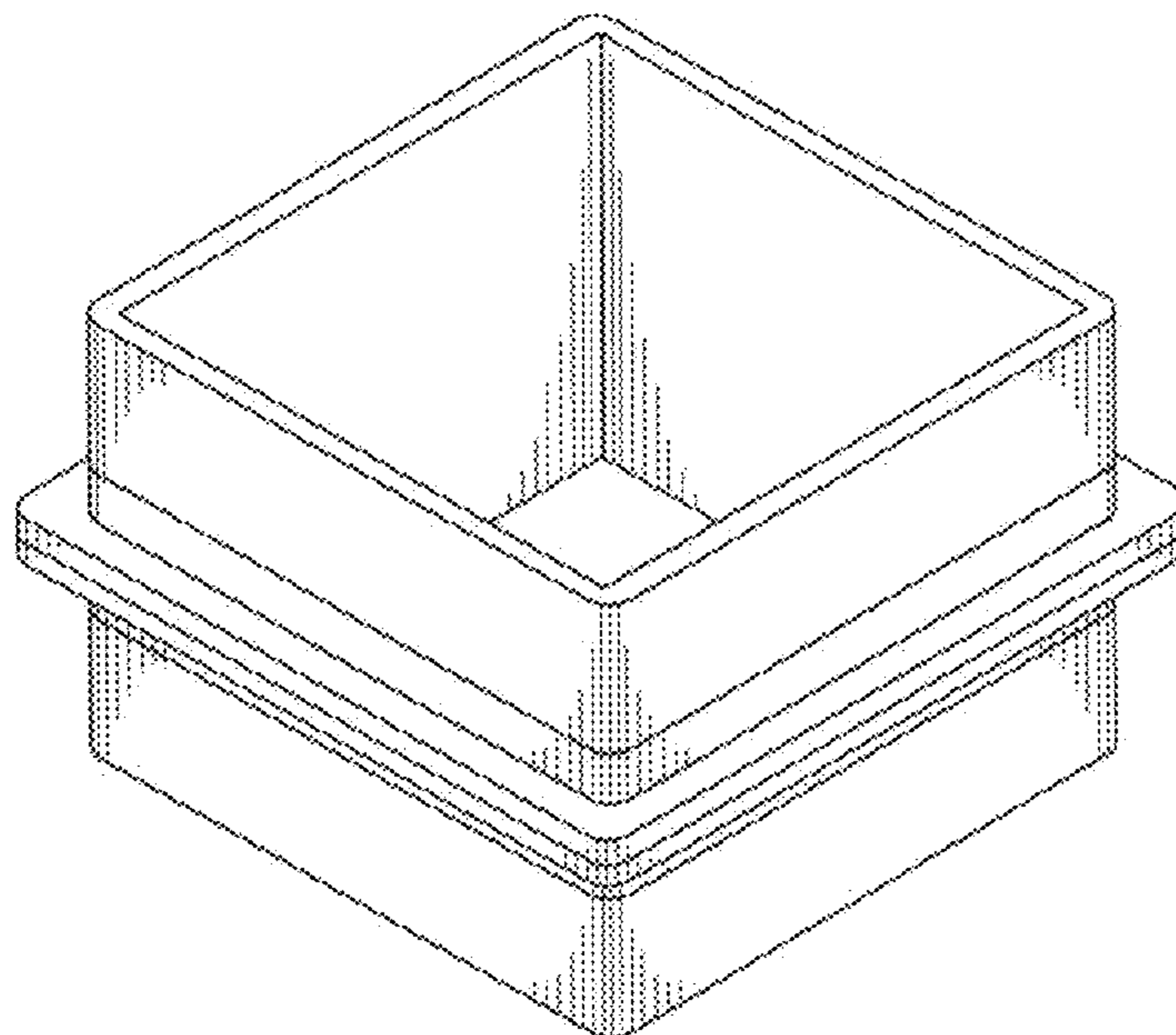
U.S. PATENT DOCUMENTS

3,600,862 A * 8/1971 Eckert E04B 1/00
52/236.9
D458,691 S * 6/2002 Burkart D25/61
7,328,535 B1 * 2/2008 Correia E02D 29/025
405/284
D674,916 S * 1/2013 Cetindag D25/61
D677,800 S * 3/2013 Cetindag D25/113

DESCRIPTION

FIG. 1 is an isometric view of a wall connector; FIG. 2 is a top plan view of the wall connector of FIG. 1, with the bottom plan view being the same; and, FIG. 3 is a front elevation view of the wall connector of FIG. 1, with the back, right and left side elevations being the same.

1 Claim, 1 Drawing Sheet



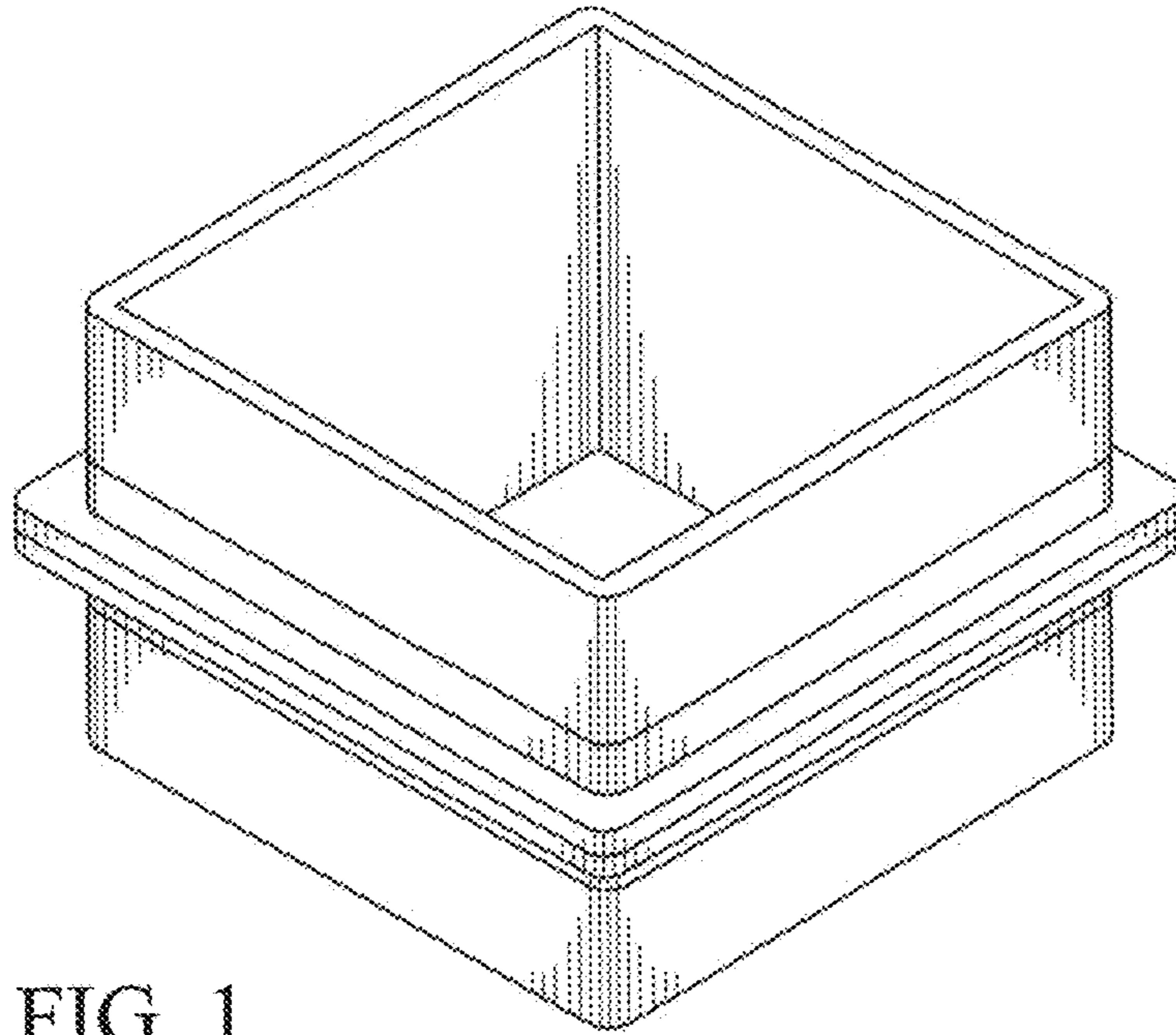


FIG. 1

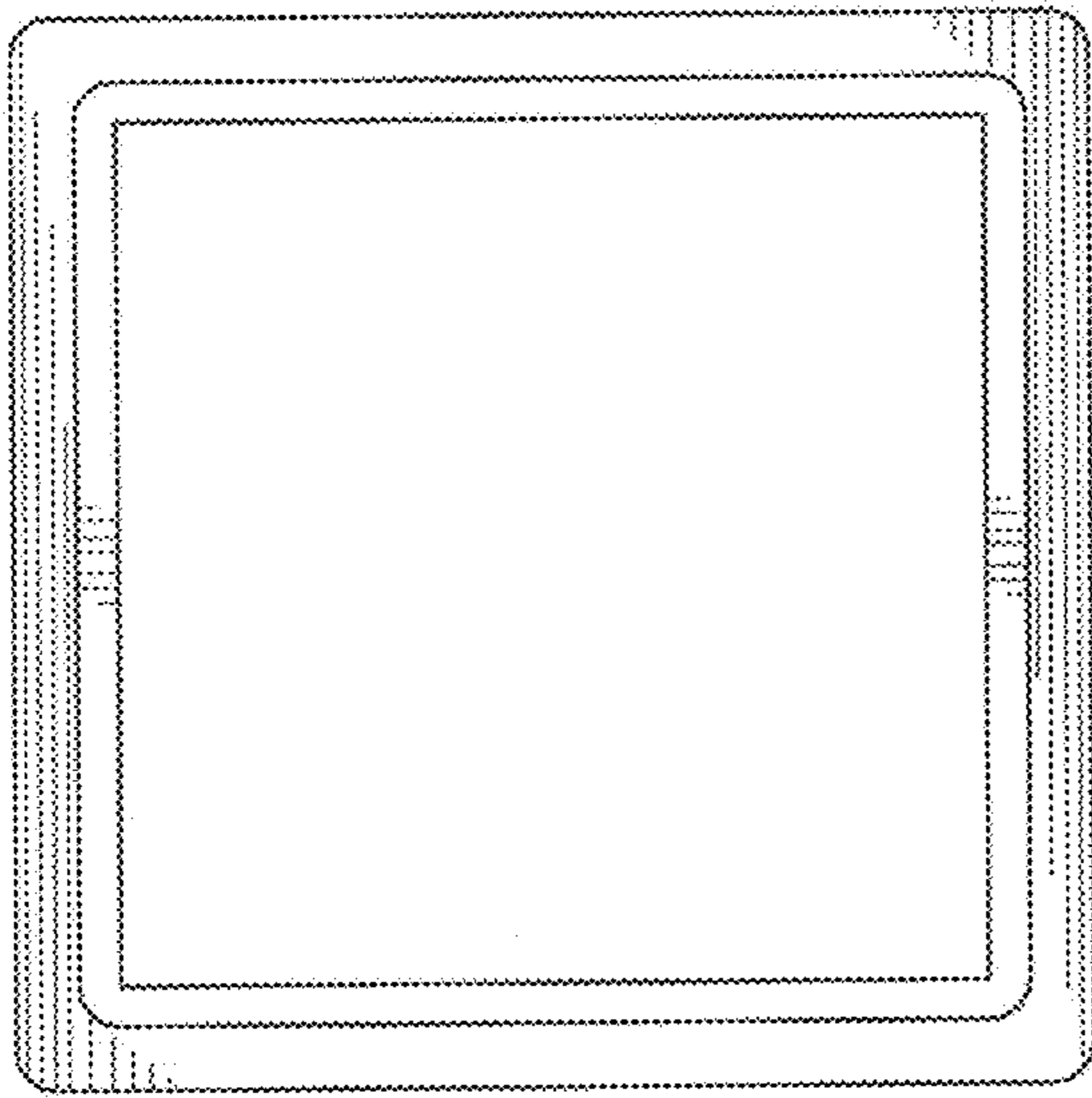


FIG. 2

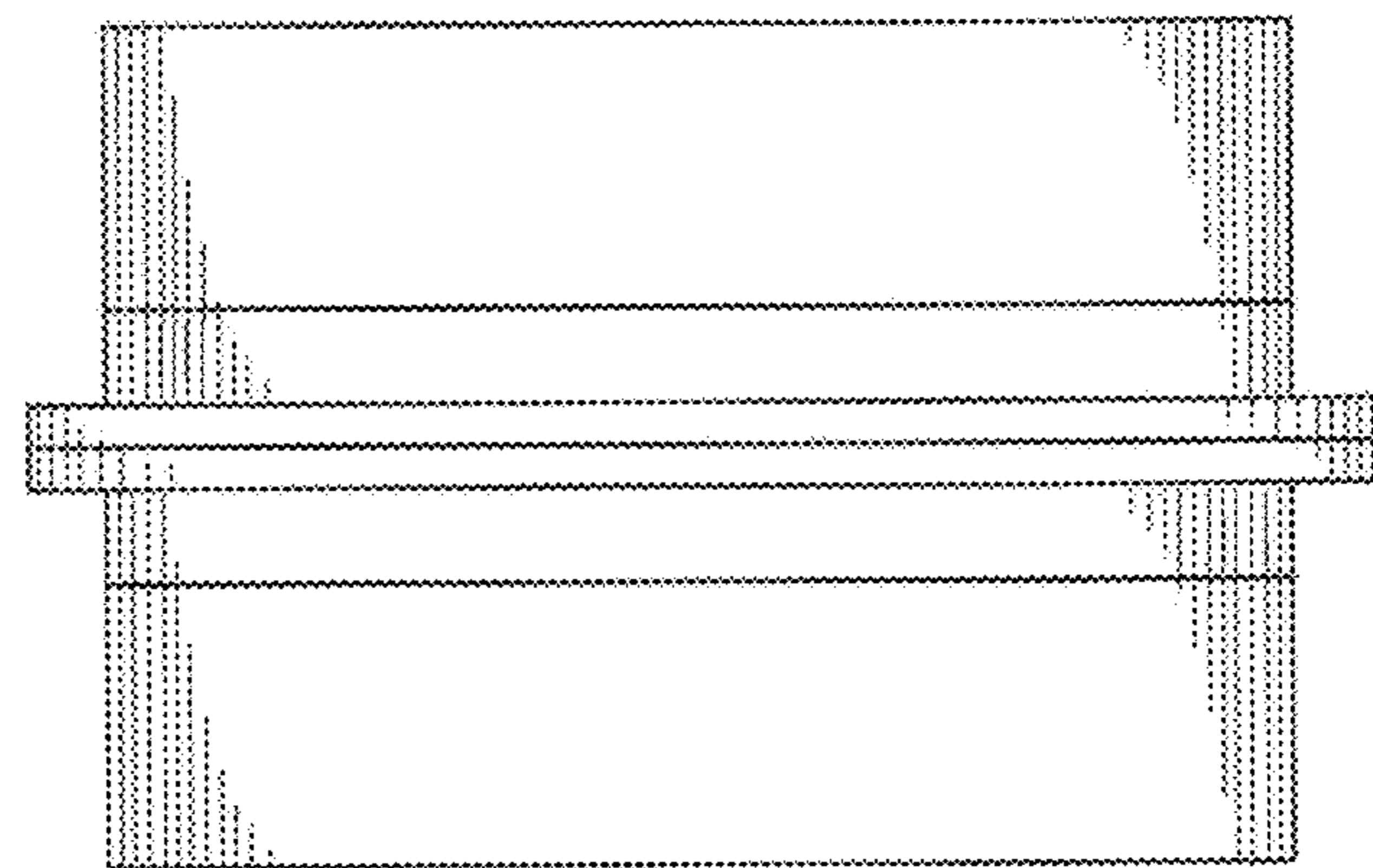


FIG. 3