



US00D893757S

(12) **United States Design Patent**  
**Rosan**

(10) **Patent No.:** **US D893,757 S**

(45) **Date of Patent:** **\*\* Aug. 18, 2020**

(54) **WALL FRAME COMPONENT**

(71) Applicant: **EverBlock Systems, LLC**, New York, NY (US)

(72) Inventor: **Arnon Rosan**, New York, NY (US)

(73) Assignee: **EverBlock Systems, LLC**, New York, NY (US)

(\*\*) Term: **15 Years**

(21) Appl. No.: **29/672,868**

(22) Filed: **Dec. 10, 2018**

(51) **LOC (12) Cl.** ..... **25-01**

(52) **U.S. Cl.**  
USPC ..... **D25/61; D25/138**

(58) **Field of Classification Search**  
USPC ..... D8/349, 354, 373, 382, 384;  
D21/483-486, 489-491, 493, 494, 499,  
D21/500-502, 504, 505; D25/60, 61,  
D25/113, 114, 115, 118, 133, 135, 136,  
D25/138, 152, 153, 156, 157, 158, 164,  
D25/199

CPC ..... E04B 2/06; E04B 2/14; E04B 2/44; E04B  
2002/0204; E04C 2/08; E04C 2/14; E04C  
2/18; E04C 2/205; E04C 2/22; E04C  
1/395; E02D 29/025; Y10S 52/02

See application file for complete search history.

(56) **References Cited**

**U.S. PATENT DOCUMENTS**

2,019,653 A \* 11/1935 Buyer ..... E04B 2/16  
52/592.5  
2,131,803 A \* 10/1938 Henderson ..... E04B 2/14  
52/204.1  
D198,527 S \* 6/1964 Long ..... D25/118  
D261,047 S \* 9/1981 Long ..... D25/118  
5,651,697 A \* 7/1997 Cinquegrani ..... H01R 13/6272  
439/374

D429,822 S \* 8/2000 Jensen ..... D25/118  
D464,441 S \* 10/2002 Luaces ..... D25/114  
6,477,814 B1 \* 11/2002 Kadosh ..... E02D 29/025  
405/284  
D674,916 S \* 1/2013 Cetindag ..... D25/61

(Continued)

**FOREIGN PATENT DOCUMENTS**

EM 006553699-0001 \* 6/2019  
EM 006553699-0002 \* 6/2019

(Continued)

**OTHER PUBLICATIONS**

Best-Rite Fabric Standard Modular Panel, 6'x5', Gray; Staples website, Dec. 7, 2018 (7 pages); [https://www.staples.com/Best-Rite-Fabric-Standard-Modular-Panel-6x5-Gary/product\\_302619](https://www.staples.com/Best-Rite-Fabric-Standard-Modular-Panel-6x5-Gary/product_302619).

*Primary Examiner* — Leanne Was-Englehart

(74) *Attorney, Agent, or Firm* — Metz Lewis Brodman  
Must O'Keefe LLC

(57) **CLAIM**

The ornamental design for a wall frame component, as shown and described.

**DESCRIPTION**

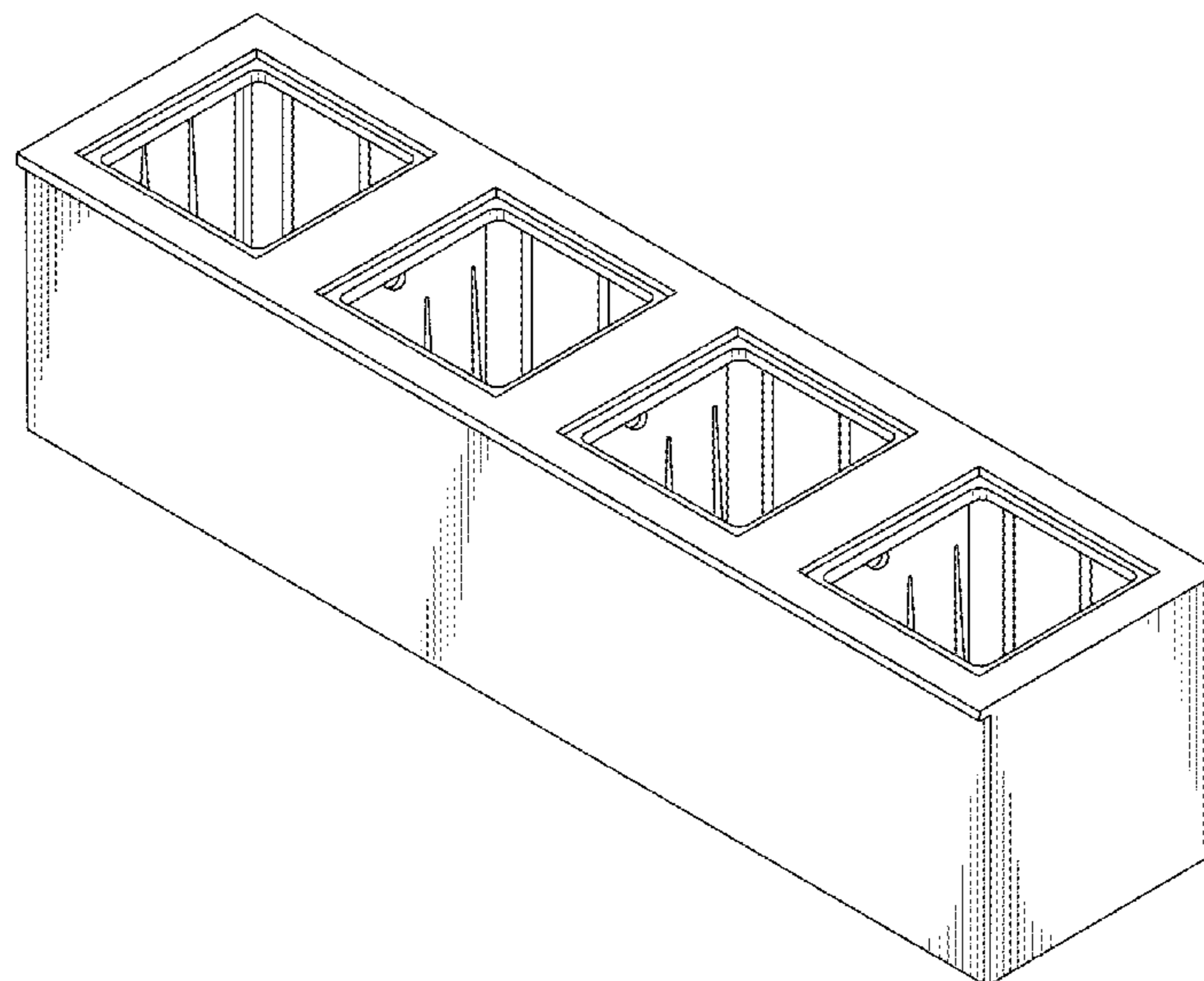
FIG. 1 is a top isometric view of a wall frame component; FIG. 2 is a bottom isometric view of the wall frame component of FIG. 1;

FIG. 3 is a top plan view of the wall frame component of FIG. 1;

FIG. 4 is a bottom plan view of the wall frame component of FIG. 1;

FIG. 5 is a front elevation view of the wall frame component of FIG. 1, with the back elevation view being the same; and, FIG. 6 is a right side elevation view of the wall frame component of FIG. 1, with the left side elevation view being the same.

**1 Claim, 2 Drawing Sheets**



(56)

**References Cited**

U.S. PATENT DOCUMENTS

D677,800 S \* 3/2013 Cetindag ..... D25/113  
D686,676 S \* 7/2013 Telford ..... D21/486  
D769,986 S \* 10/2016 Timg ..... D21/500  
D783,731 S 4/2017 Rosan  
D786,586 S 5/2017 Rosan  
D791,885 S 7/2017 Rosan  
D800,846 S 10/2017 Rosan  
D809,162 S 1/2018 Rosan  
10,196,826 B1 2/2019 Rosan  
D846,657 S \* 4/2019 Molgaard ..... D21/500  
2011/0225909 A1\* 9/2011 Rodriguez Carassus .....  
E04B 2/06  
52/261

FOREIGN PATENT DOCUMENTS

EM 006553699-0003 \* 6/2019  
KR 300564107.0002 \* 10/2010  
WO D099938-006 \* 8/2018

\* cited by examiner

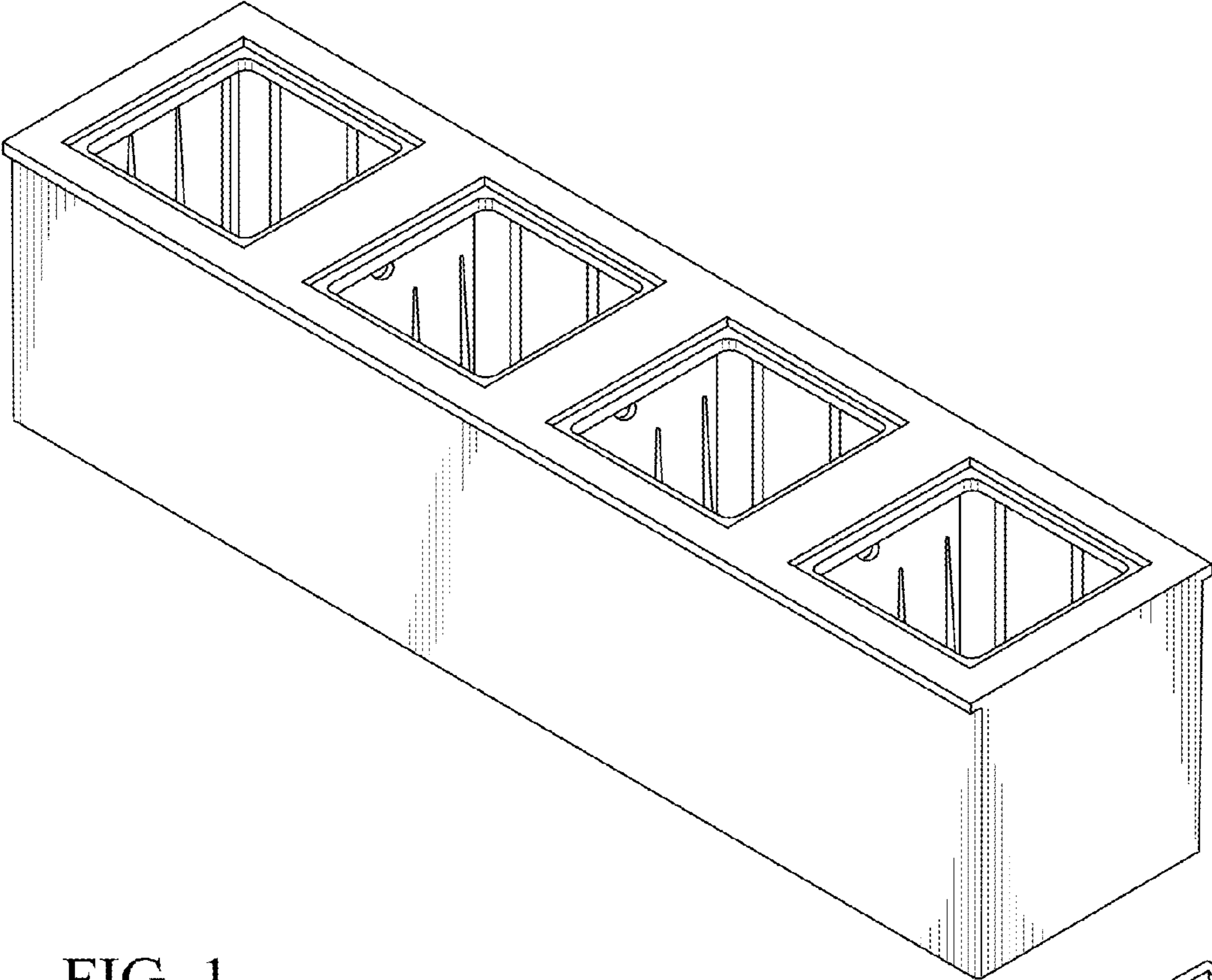


FIG. 1

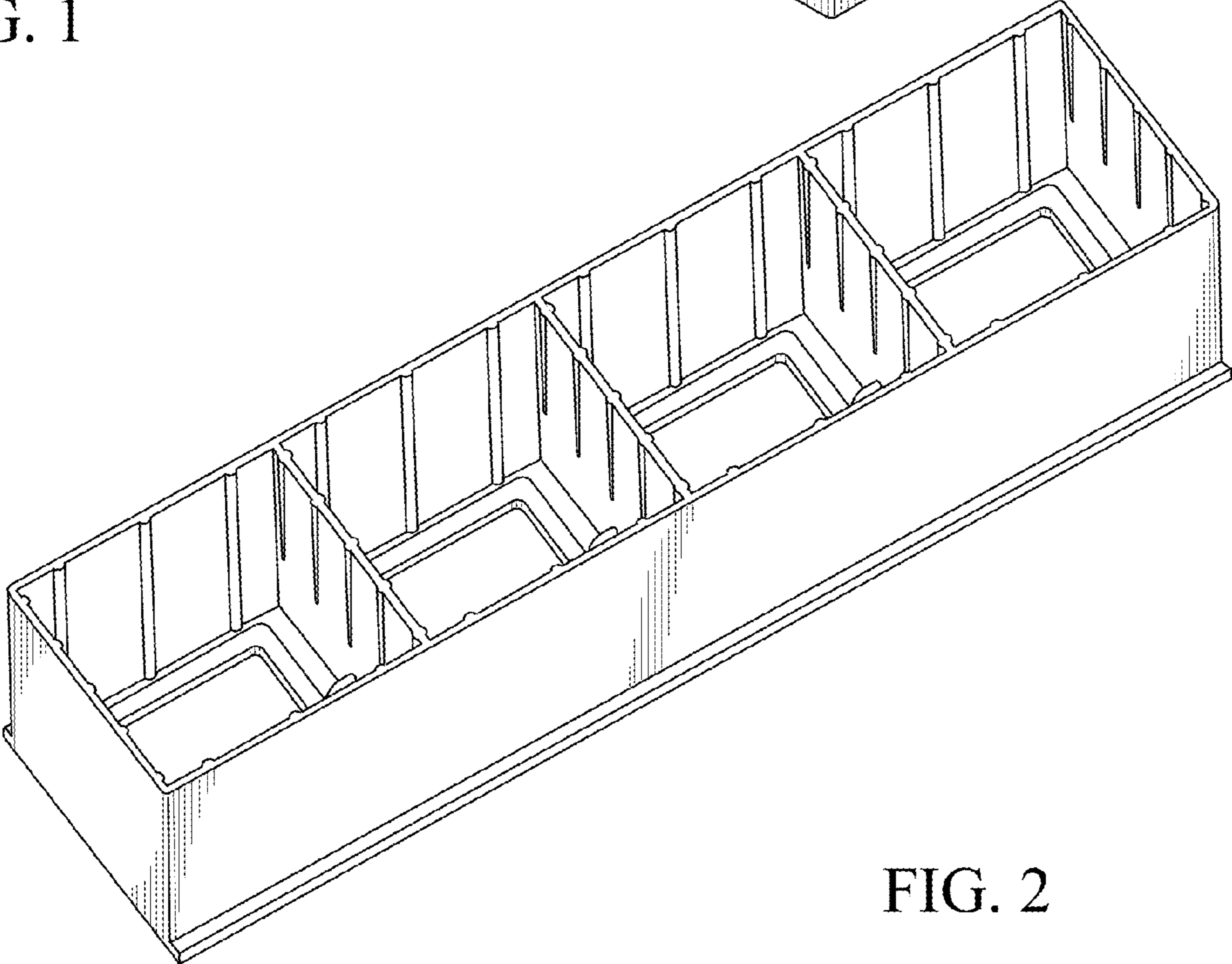


FIG. 2

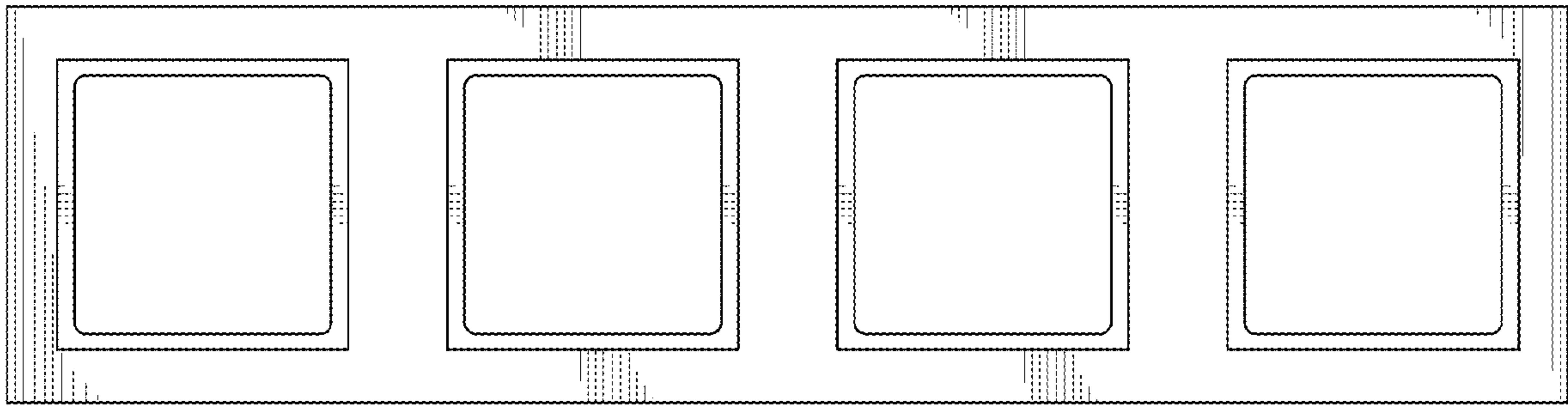


FIG. 3

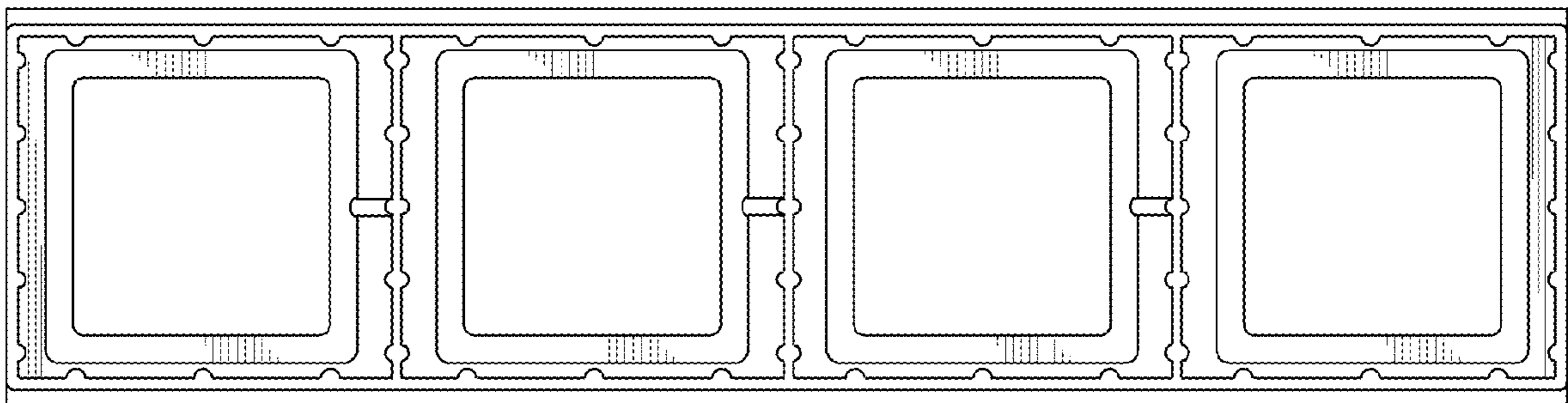


FIG. 4

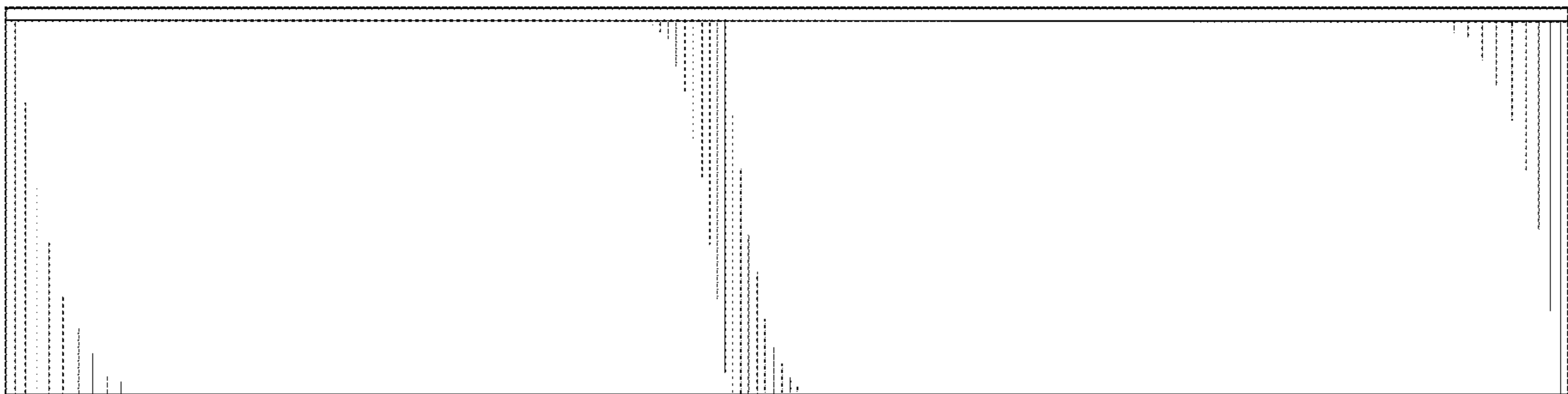


FIG. 5

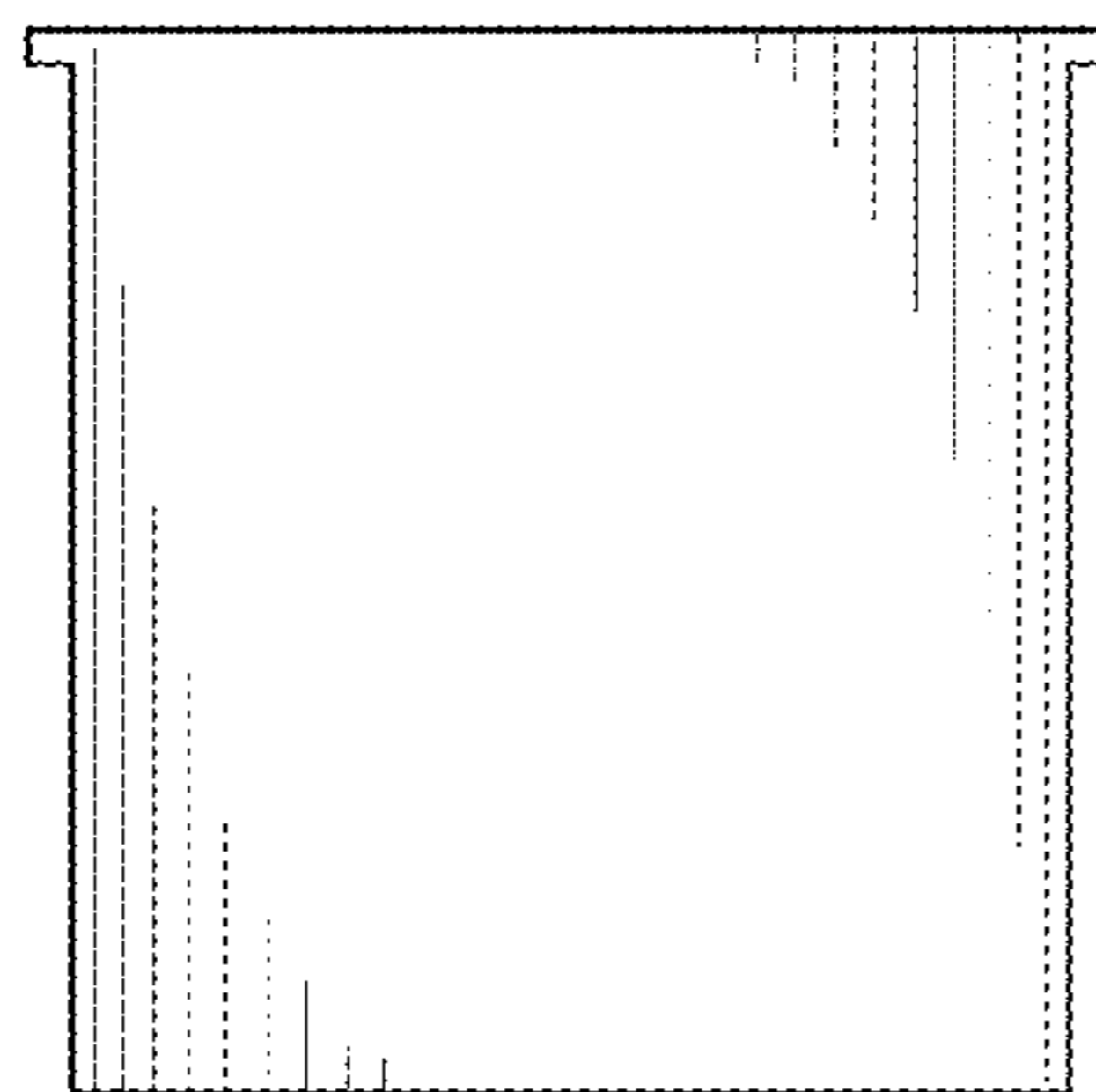


FIG. 6