



US00D893756S

(12) **United States Design Patent** (10) **Patent No.:** **US D893,756 S**
Marquart et al. (45) **Date of Patent:** **** Aug. 18, 2020**

(54) **THREE BAR ACCESS CONTROL GATE WITH COLOR AUTHENTICATION**

FOREIGN PATENT DOCUMENTS

(71) Applicant: **MAGNETIC AUTOCONTROL GMBH**, Schopfheim (DE)

KR 20-0415886 * 5/2006 G07B 15/00

Primary Examiner — Richard E Chilcot

(72) Inventors: **Nico Marquart**, Freiburg (DE);
Cyjetko Trivunovic, Weil am Rhein (DE)

(74) *Attorney, Agent, or Firm* — Thompson Coburn LLP

(73) Assignee: **MAGNETIC AUTOCONTROL GMBH**, Schopfheim (DE)

(57) **CLAIM**

The ornamental design for a three bar access control gate with color authentication, as shown and described.

(**) Term: **15 Years**

DESCRIPTION

(21) Appl. No.: **35/505,902**

The patent file contains at least one drawing executed in color. Copies of this patent with color drawing(s) will be provided by the office upon request and payment of the necessary fee.

(22) Filed: **Nov. 30, 2017**

(80) **Hague Agreement Data**

Figure 2.1 is a perspective view of a three-bar access control gate showing the new design in a first configuration with no color authentication;

Int. Filing Date: **Nov. 30, 2017**

Int. Reg. No.: **DM/103115**

Int. Reg. Date: **Nov. 30, 2017**

Int. Reg. Pub. Date: **Oct. 19, 2018**

Figure 2.2 is a top view thereof;

Figure 2.3 is a left side view thereof (the right side view being a mirror image thereof);

(51) **LOC (12) Cl.** **25-02**

(52) **U.S. Cl.**

USPC **D25/48.6**

CPC **E06B 11/08** (2013.01)

Figure 3.1 is a rear view thereof;

Figure 3.2 is a front view thereof;

Figure 4.1 is a perspective view of the three-bar access control gate in a second configuration with a red color authentication;

(58) **Field of Classification Search**

USPC D20/2; D25/48.1, 48.3, 48.5, 48.6;
49/434

CPC E06B 11/08; G09F 23/00

See application file for complete search history.

Figure 4.2 is a top view thereof;

Figure 4.3 is a left side view thereof (the right side view being a mirror image thereof);

Figure 5.1 is a rear view thereof;

Figure 5.2 is a front view thereof;

(56) **References Cited**

U.S. PATENT DOCUMENTS

D284,705 S * 7/1986 Smith D25/48.6

5,056,261 A * 10/1991 Tetheron E06B 11/08
49/35

D358,220 S * 5/1995 Detassis D25/48.6

5,430,974 A * 7/1995 Hering E06B 11/08
40/660

D428,498 S * 7/2000 Loy D25/48.6

(Continued)

Figure 6.1 is a perspective view of the three-bar access control gate in a third configuration with a green color authentication;

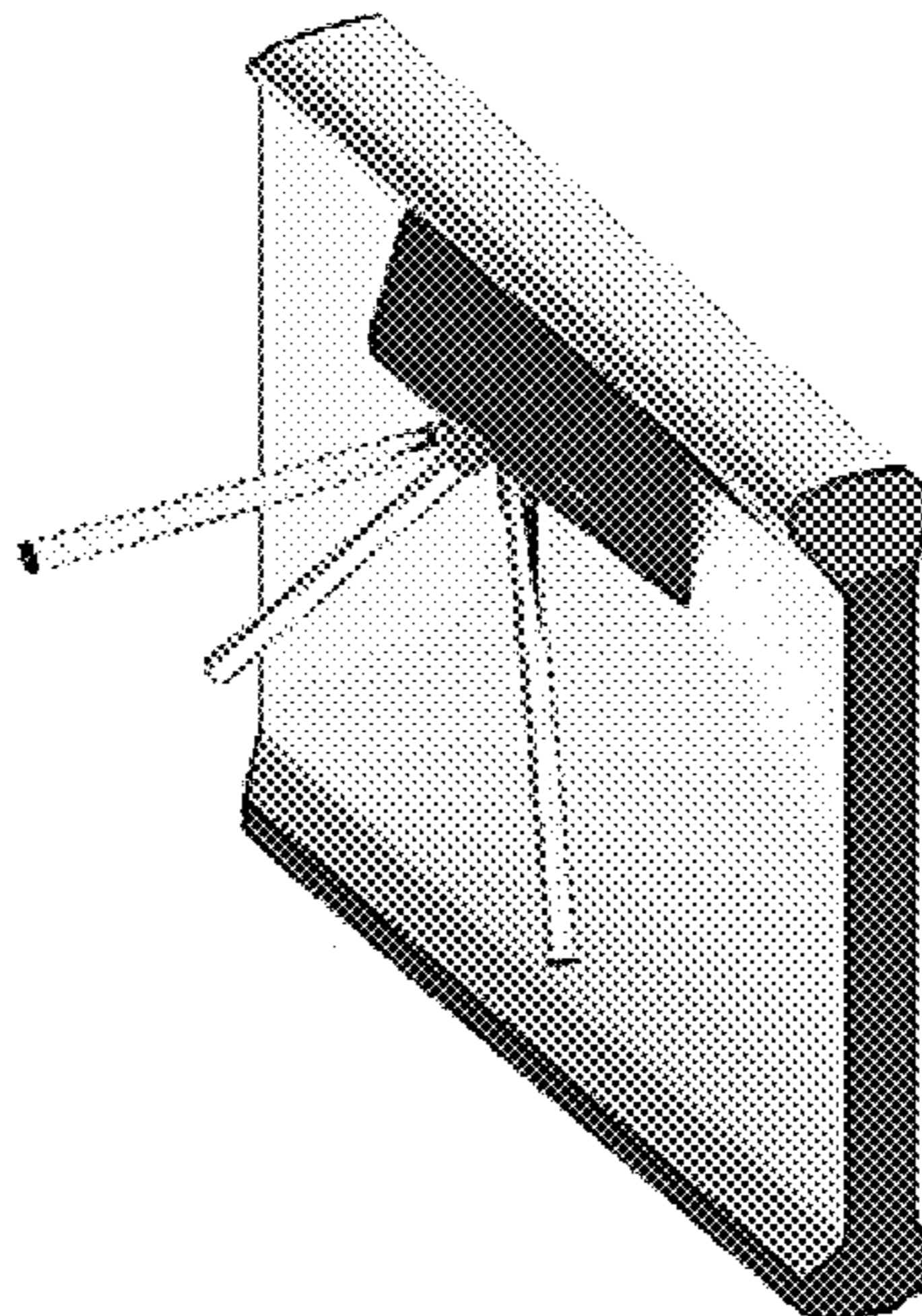
Figure 6.2 is a top view thereof;

Figure 6.3 is a left side view thereof (the right side view being a mirror image thereof);

Figure 7.1 is a rear view thereof; and,

Figure 7.2 is a front view thereof.

1 Claim, 15 Drawing Sheets
(4 of 15 Drawing Sheet(s) Filed in Color)



(56)

References Cited

U.S. PATENT DOCUMENTS

D438,312 S * 2/2001 Loy D25/48.6
6,929,175 B2 * 8/2005 Stockhammer G06Q 20/363
235/379
7,627,984 B2 * 12/2009 Wallerstorfer E06B 11/08
49/47
D612,952 S * 3/2010 Balastik D25/48.6
D634,444 S * 3/2011 Williams D25/48.6
D729,409 S * 5/2015 Friedli D25/48.6
D777,346 S * 1/2017 Journet D25/48.5
D782,700 S * 3/2017 Rauta D25/48.5
D823,482 S * 7/2018 Huff D25/48.6

* cited by examiner

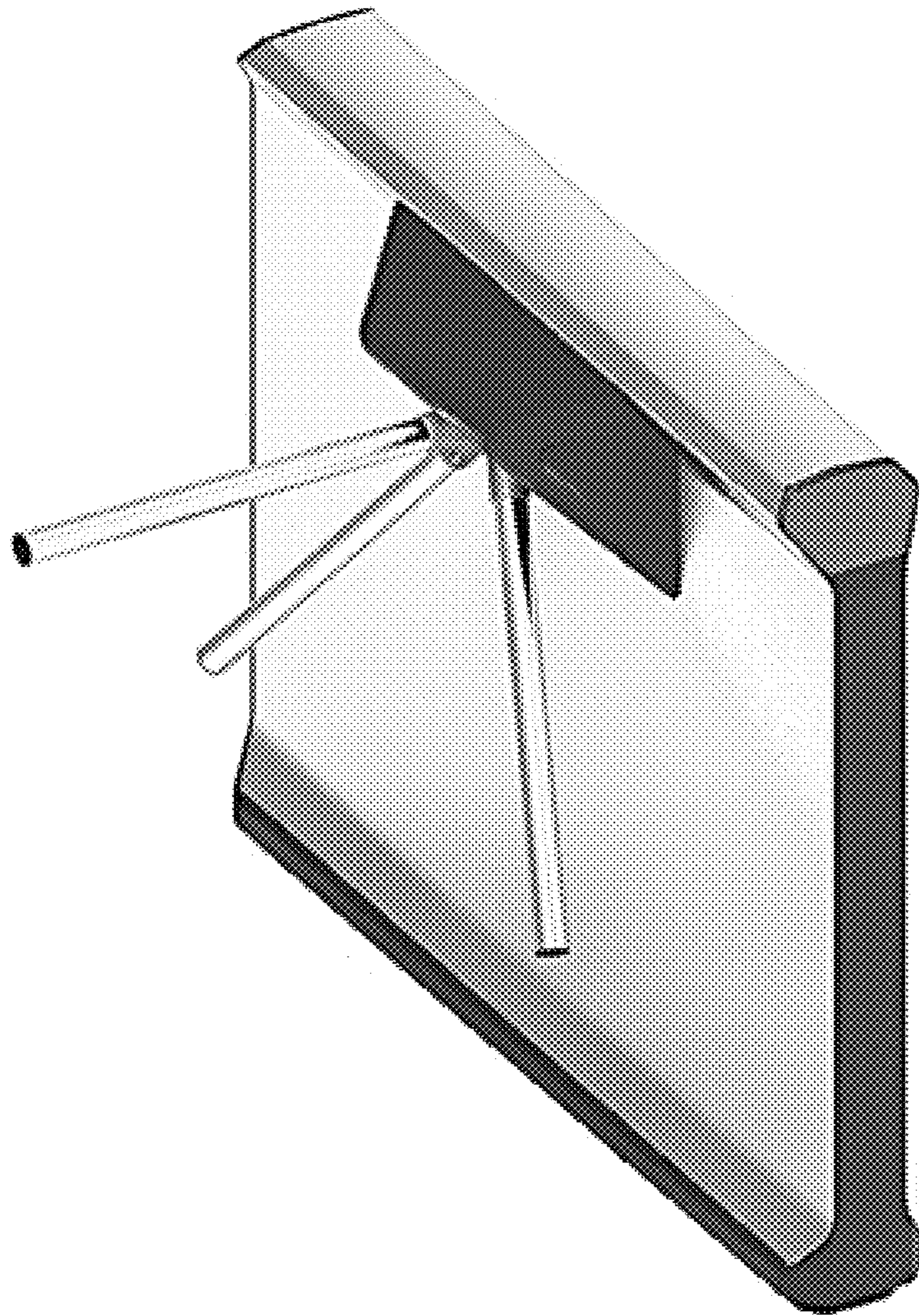


Fig. 2.1

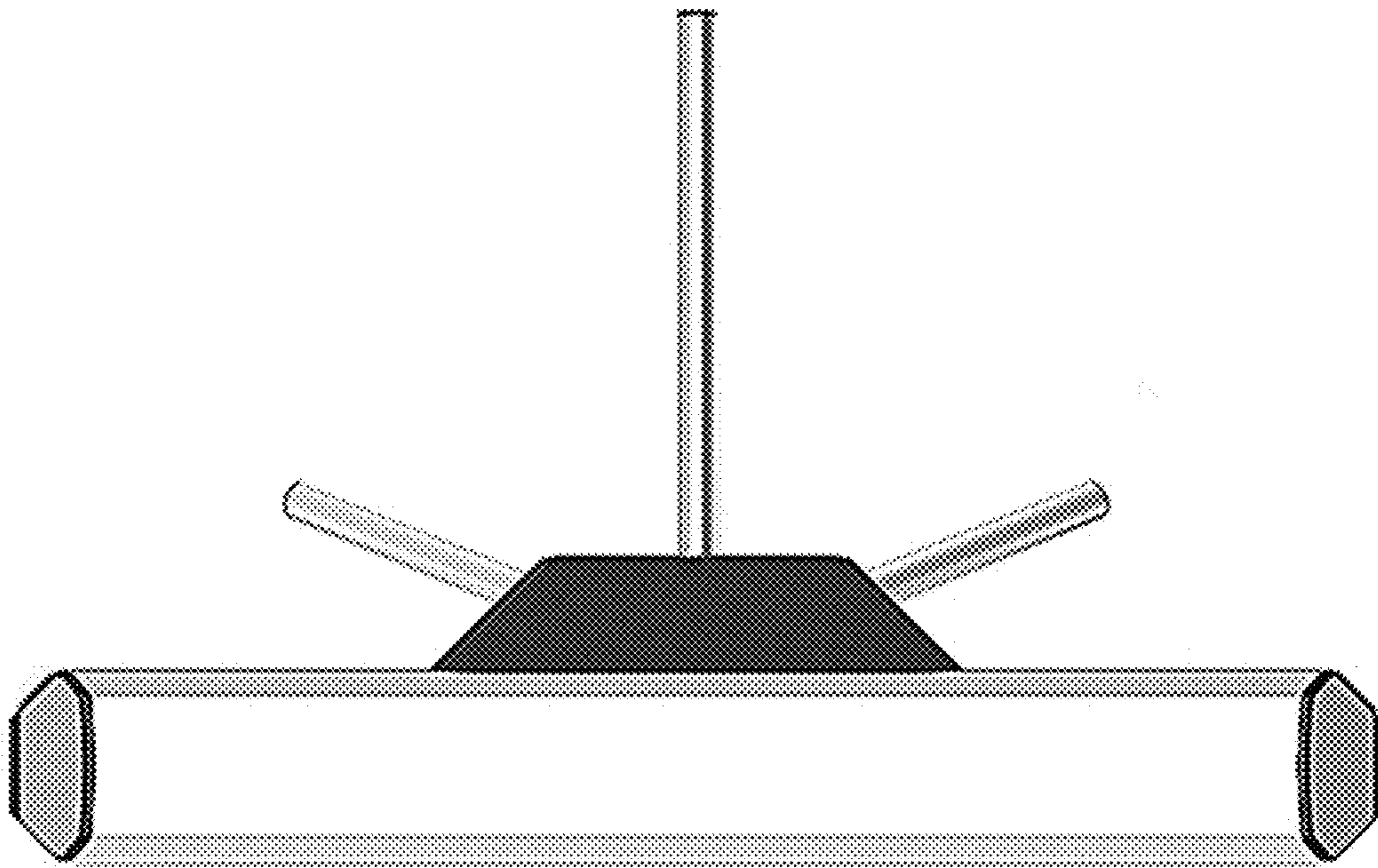


Fig. 2.2

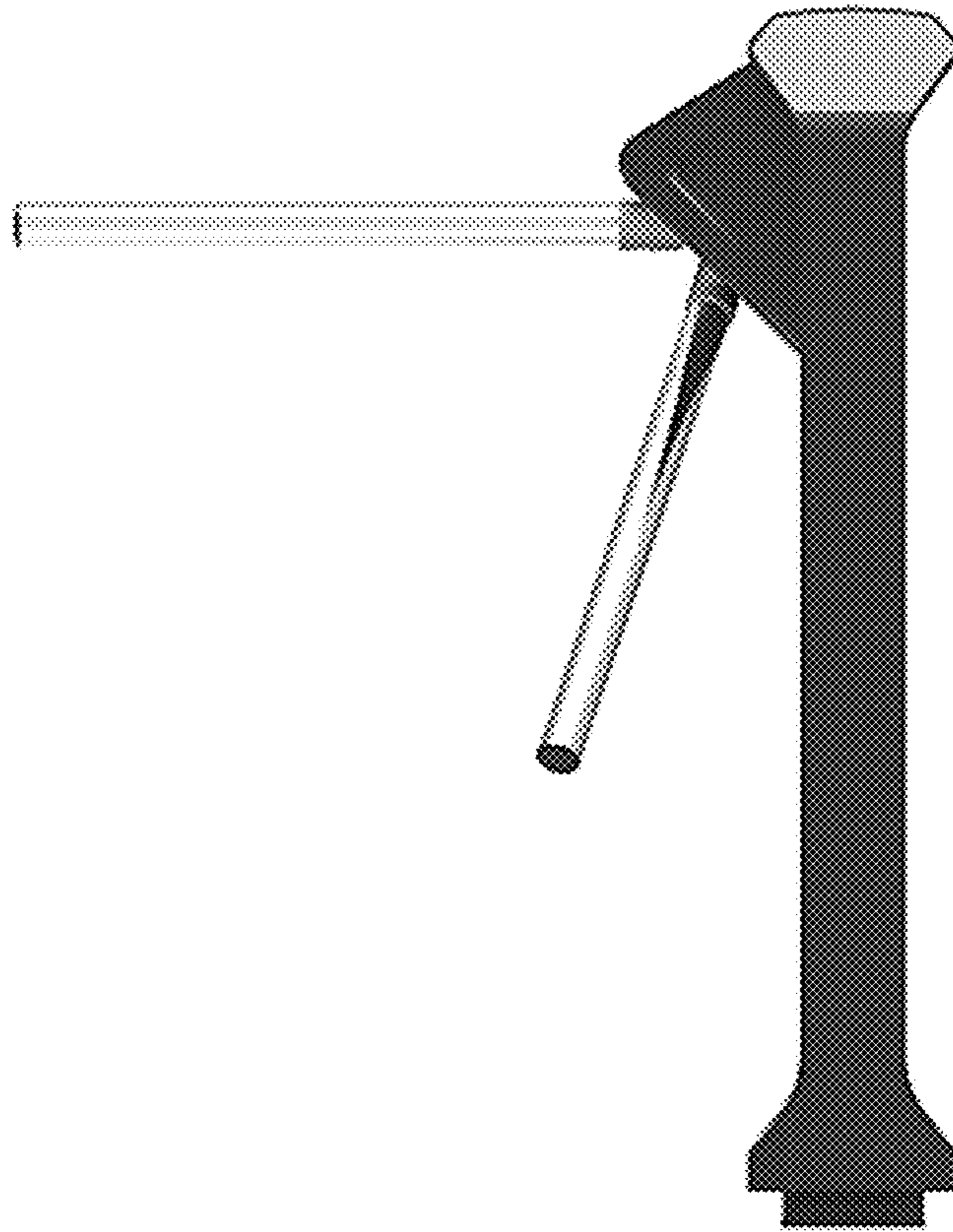


Fig. 2.3

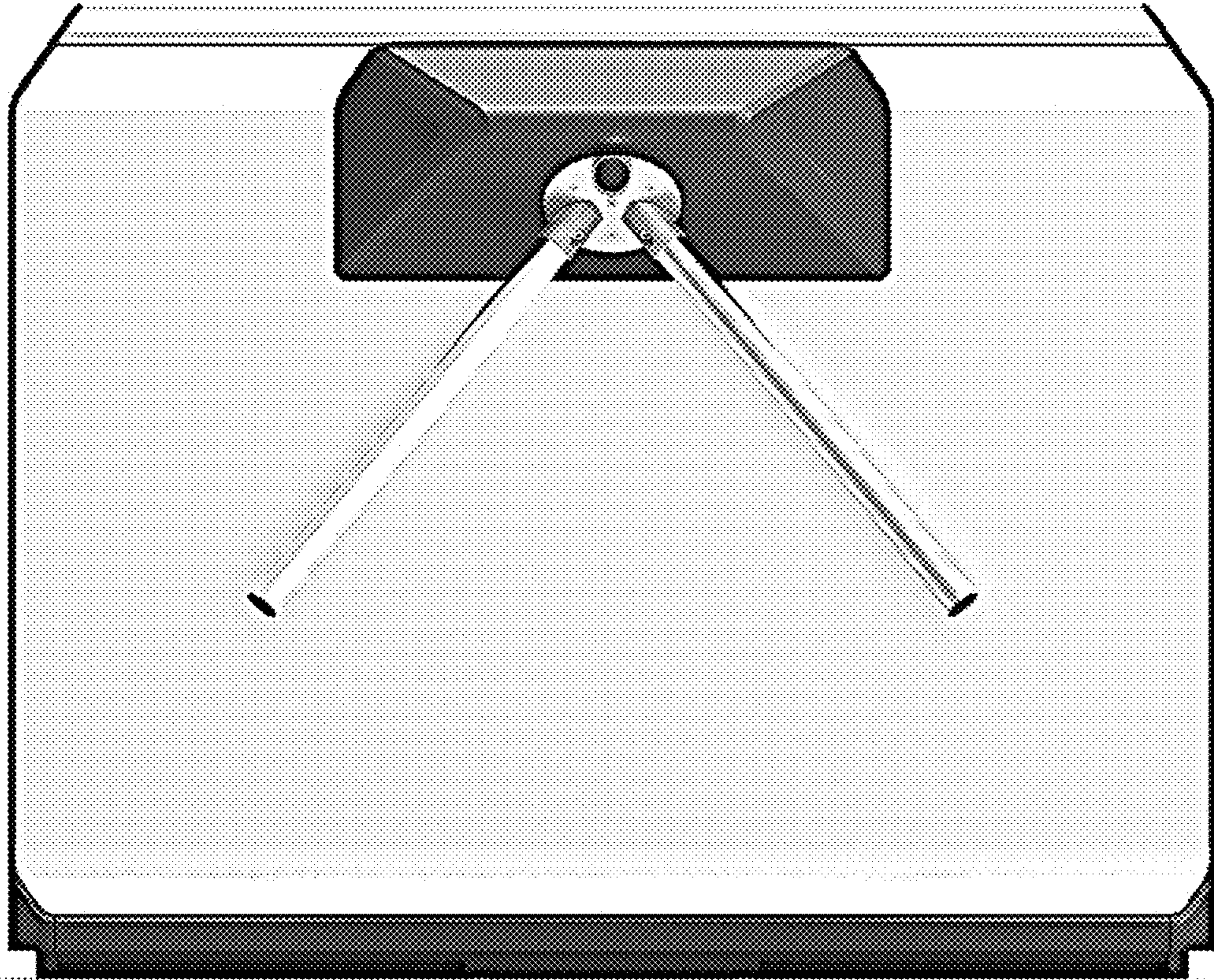


Fig. 3.1

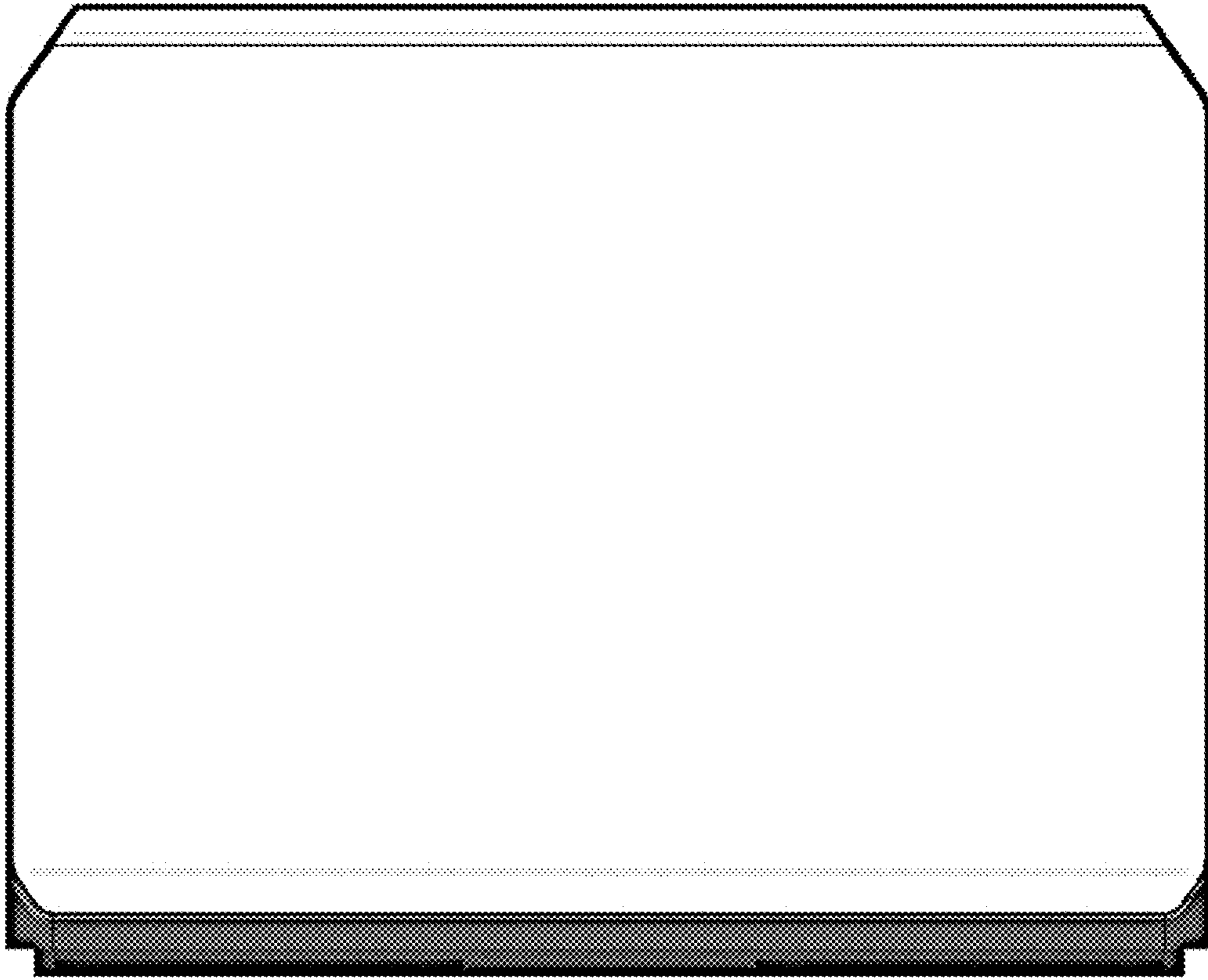


Fig. 3.2

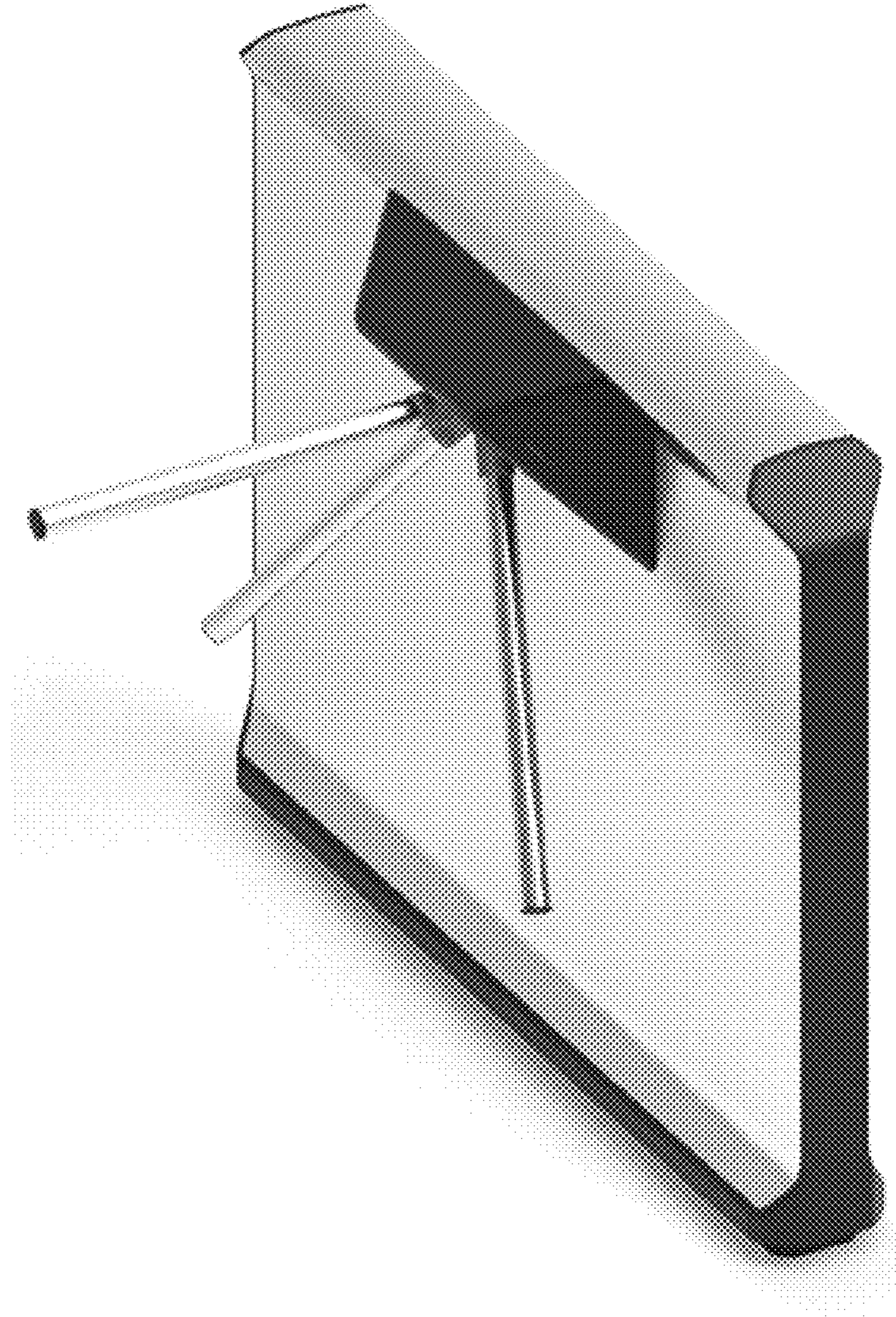


Fig. 4.1

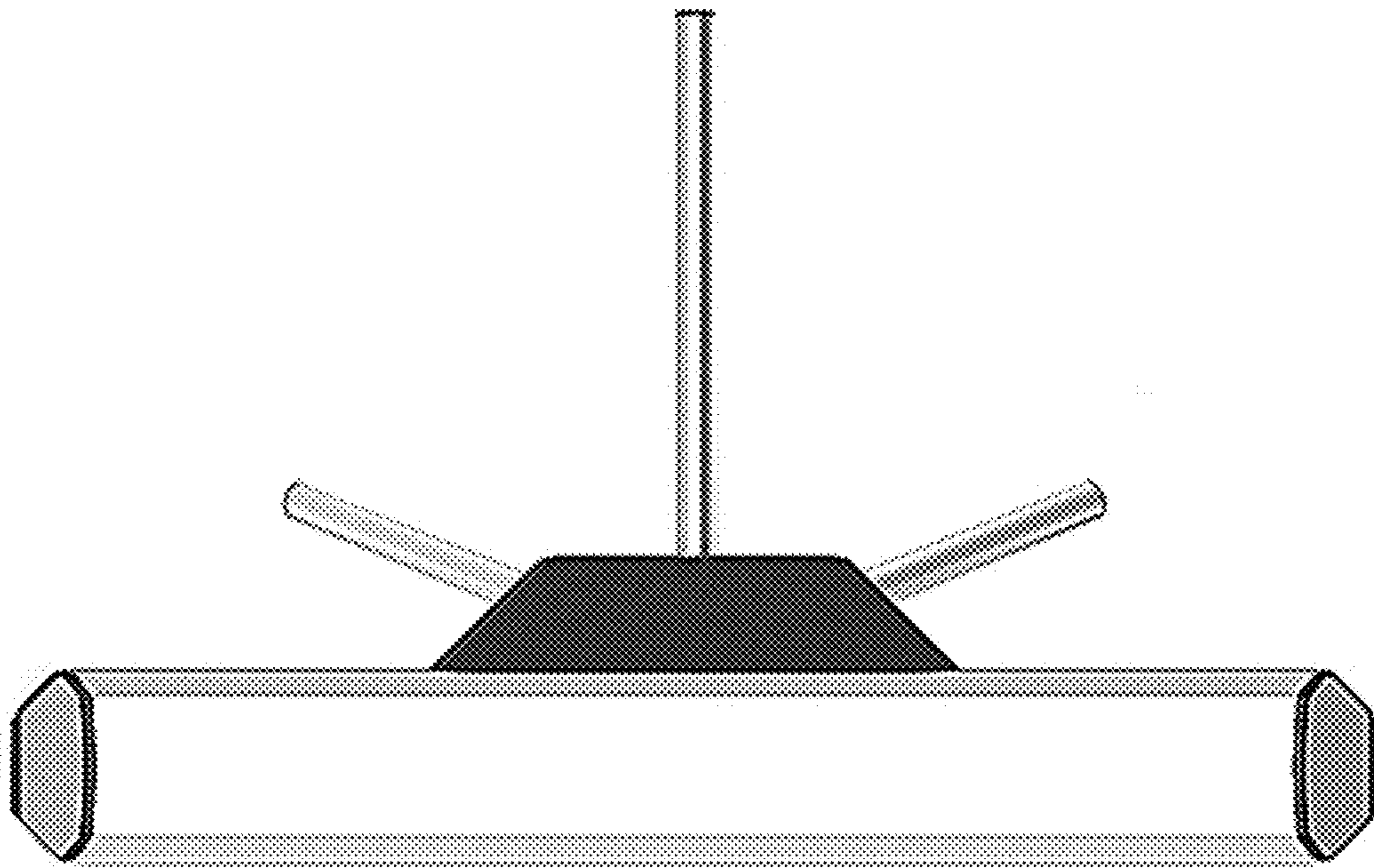


Fig. 4.2

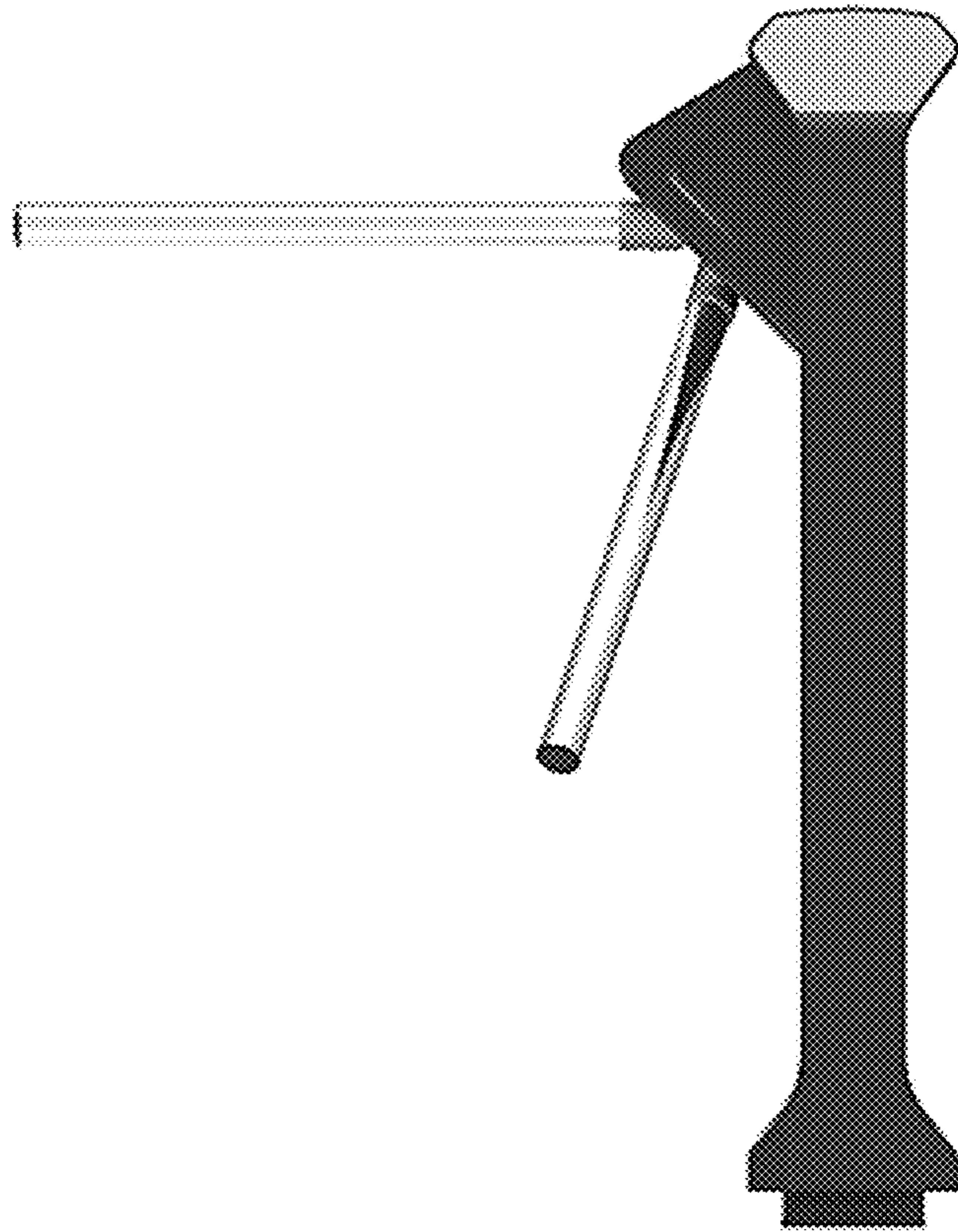


Fig. 4.3

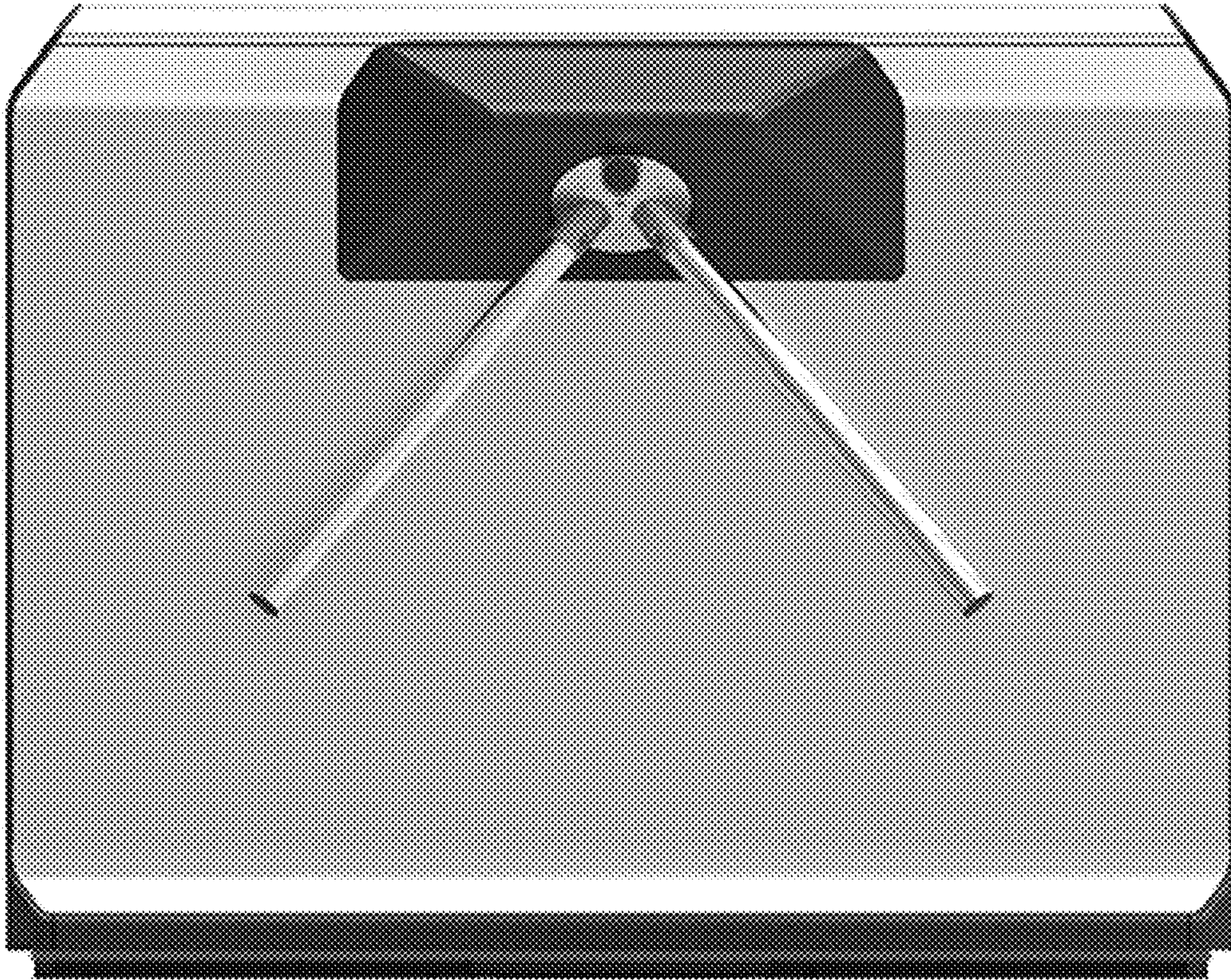


Fig. 5.1

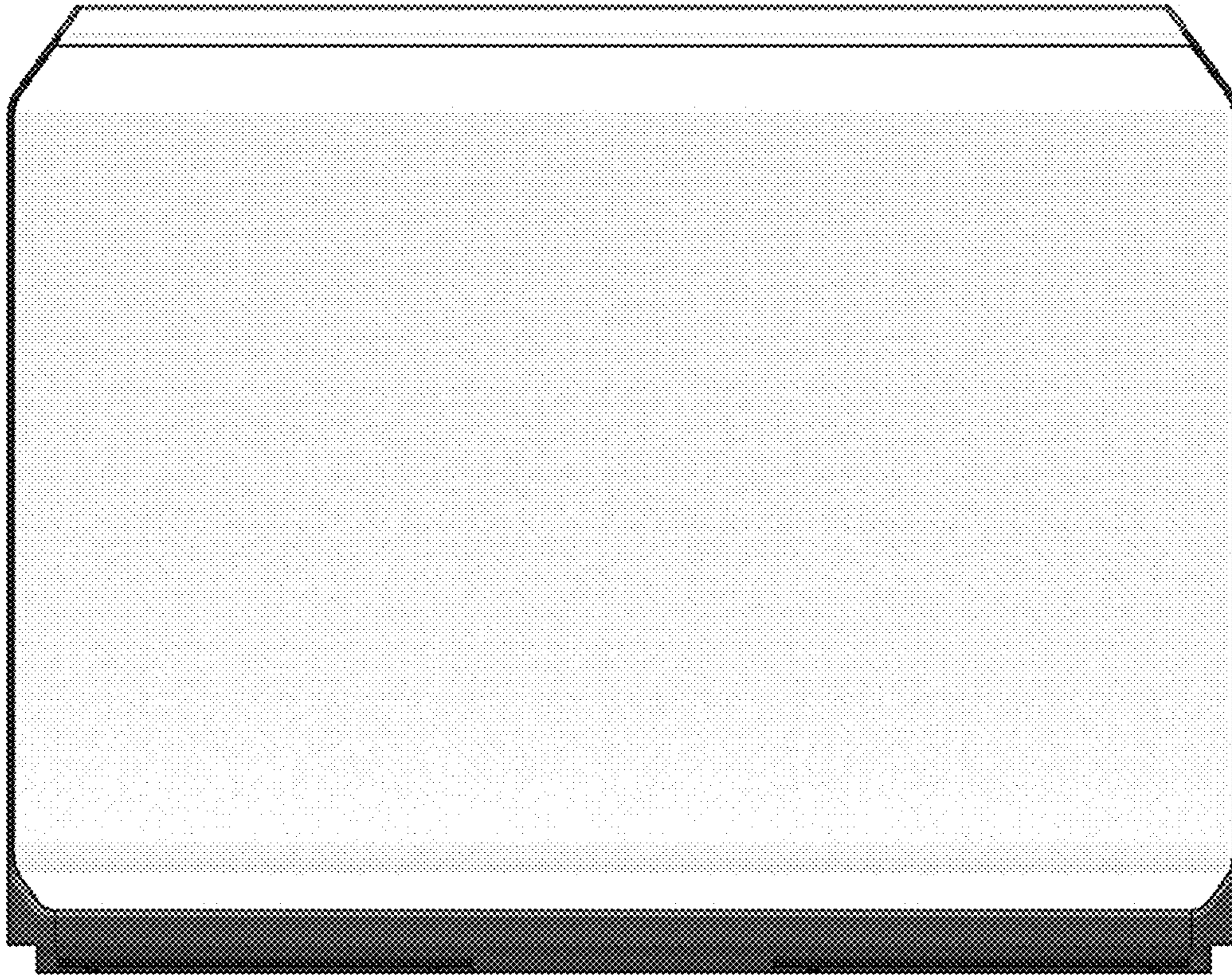


Fig. 5.2

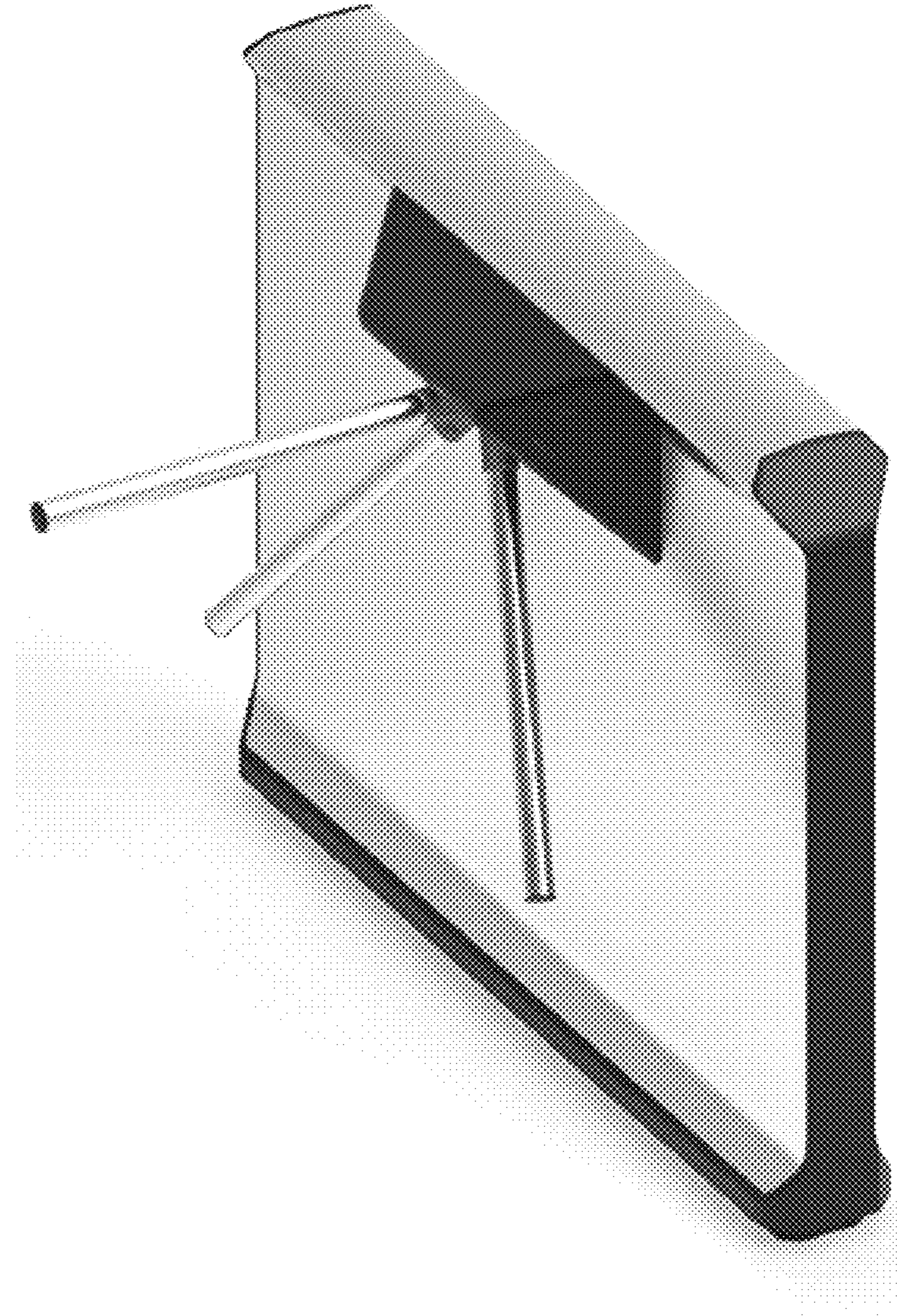


Fig. 6.1

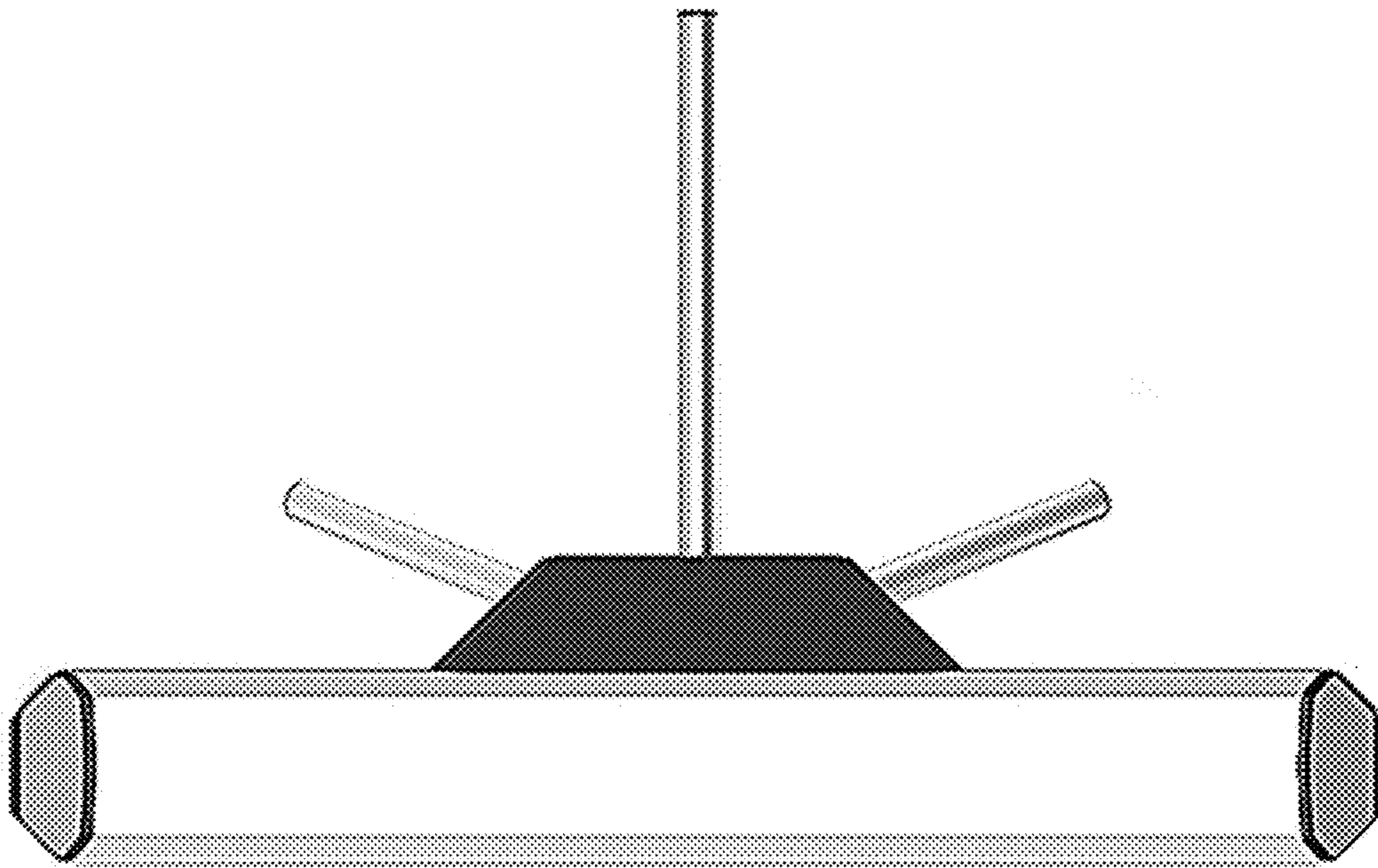


Fig. 6.2

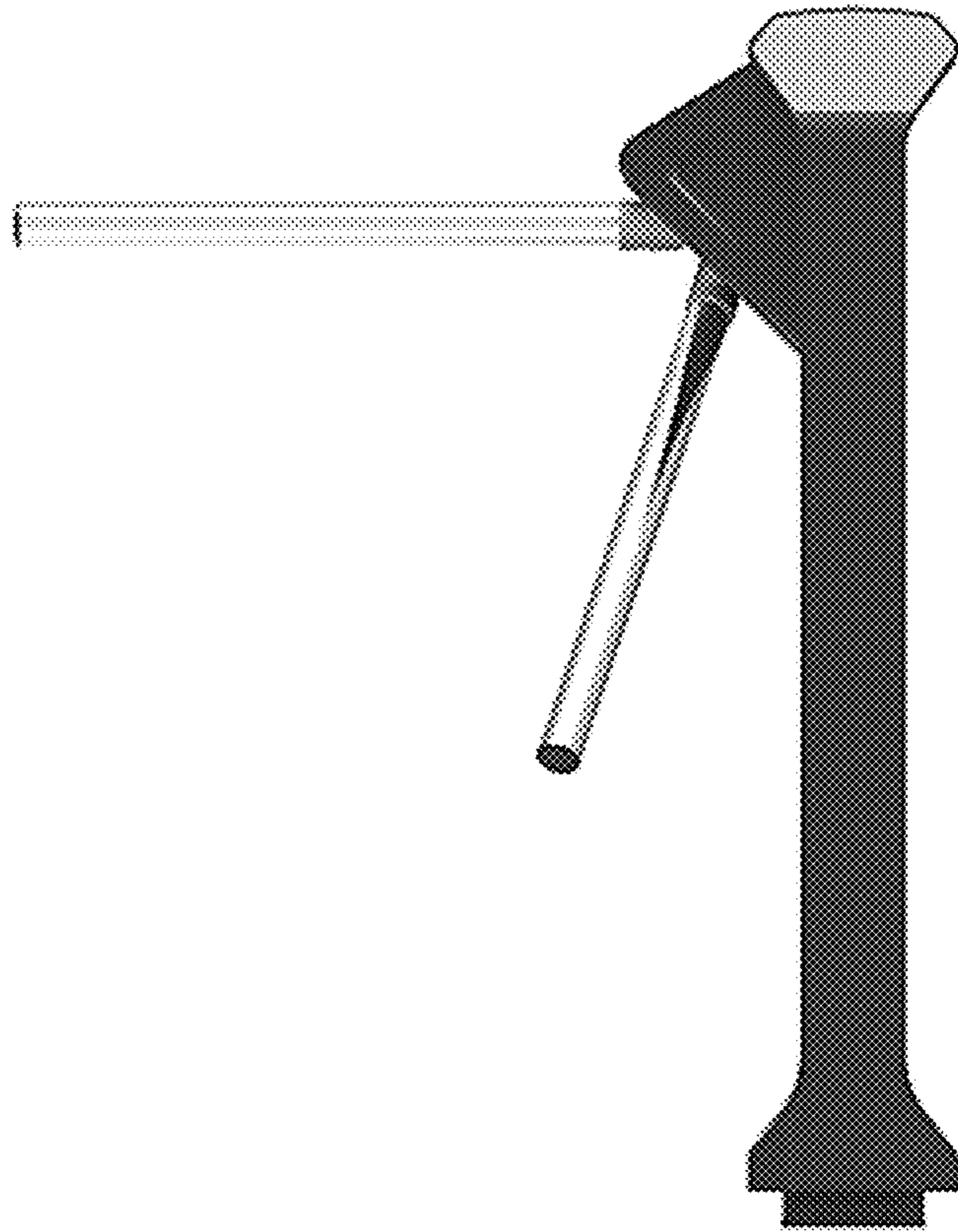


Fig. 6.3

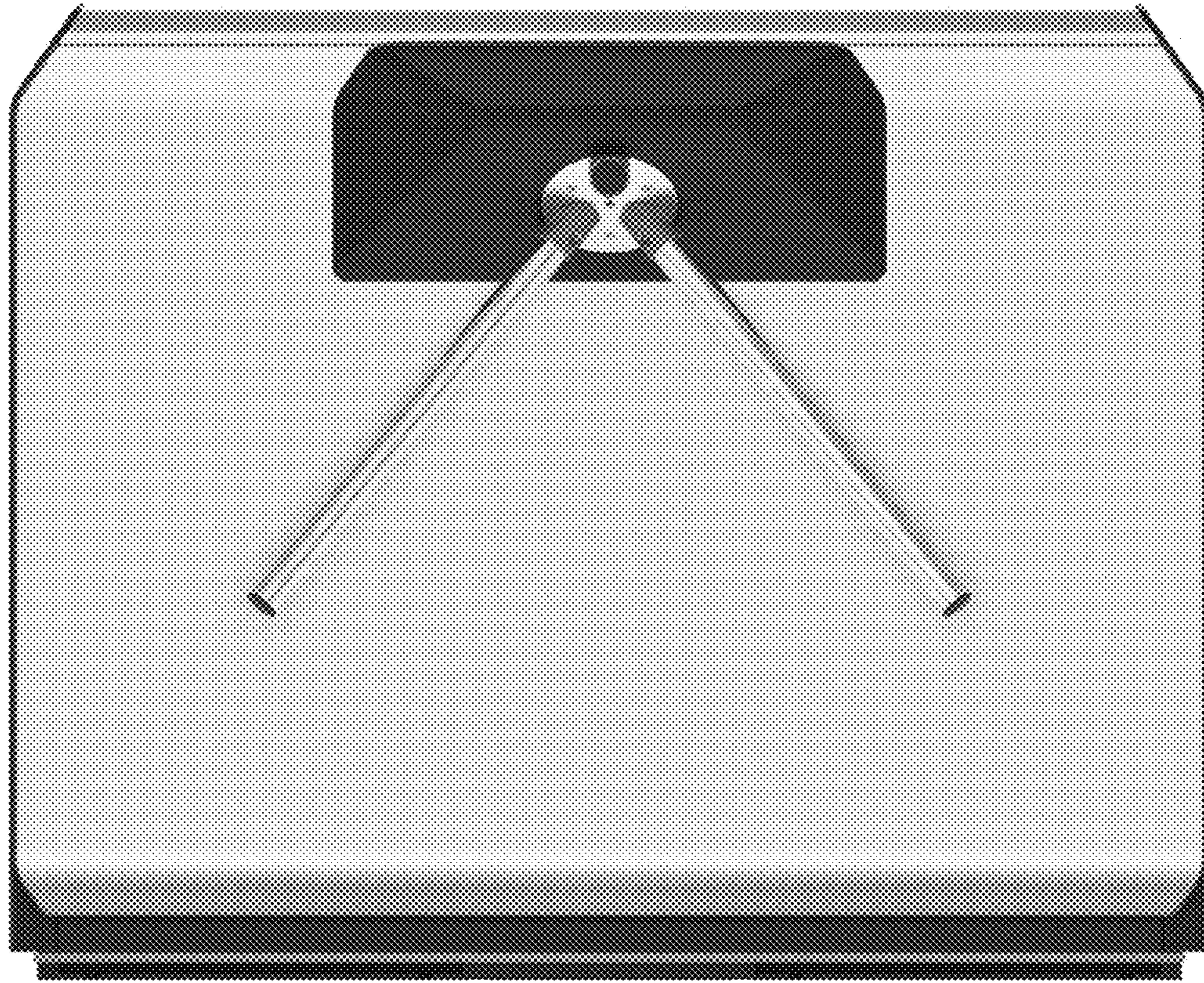


Fig. 7.1

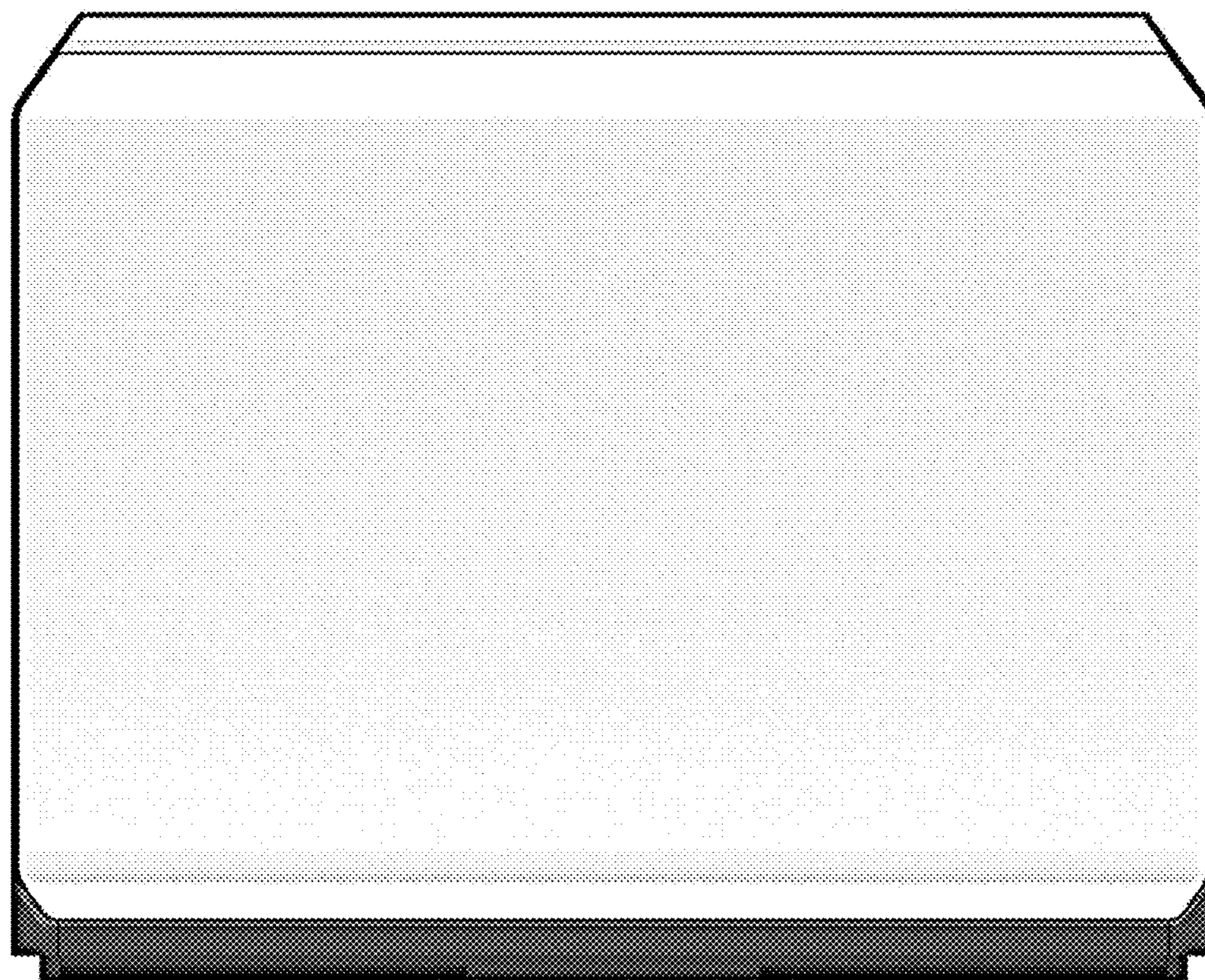


Fig. 7.2