



US00D893750S

(12) **United States Design Patent** (10) **Patent No.:** **US D893,750 S**
Sharma et al. (45) **Date of Patent:** **** Aug. 18, 2020**

(54) **DOOR FACING**

(71) Applicant: **Masonite Corporation**, Tampa, FL (US)

(72) Inventors: **Rahul Sharma**, New Delhi (IN);
Timothy D. Gouge, Elgin, IL (US);
Jason M. Walsh, Batavia, IL (US)

(73) Assignee: **Masonite Corporation**, Tampa, FL (US)

(**) Term: **15 Years**

(21) Appl. No.: **29/657,016**

(22) Filed: **Jul. 18, 2018**

(51) **LOC (12) Cl.** **25-02**

(52) **U.S. Cl.**
USPC **D25/48.3**

(58) **Field of Classification Search**
USPC D25/48.1, 48.3, 48.4, 48.5, 138
(Continued)

(56) **References Cited**

U.S. PATENT DOCUMENTS

D495,061 S * 8/2004 Lynch D25/48.3
D529,187 S * 9/2006 Walsh D25/138
(Continued)

FOREIGN PATENT DOCUMENTS

CN 3270169 * 12/2002
GB 6037262 * 6/2018

OTHER PUBLICATIONS

Pakistan Design No. 19512/2008—Cited in Pakistan Office Action, dated Nov. 20, 2019.

Primary Examiner — Leanne Was-Englehart

(74) *Attorney, Agent, or Firm* — Berenato & White, LLC

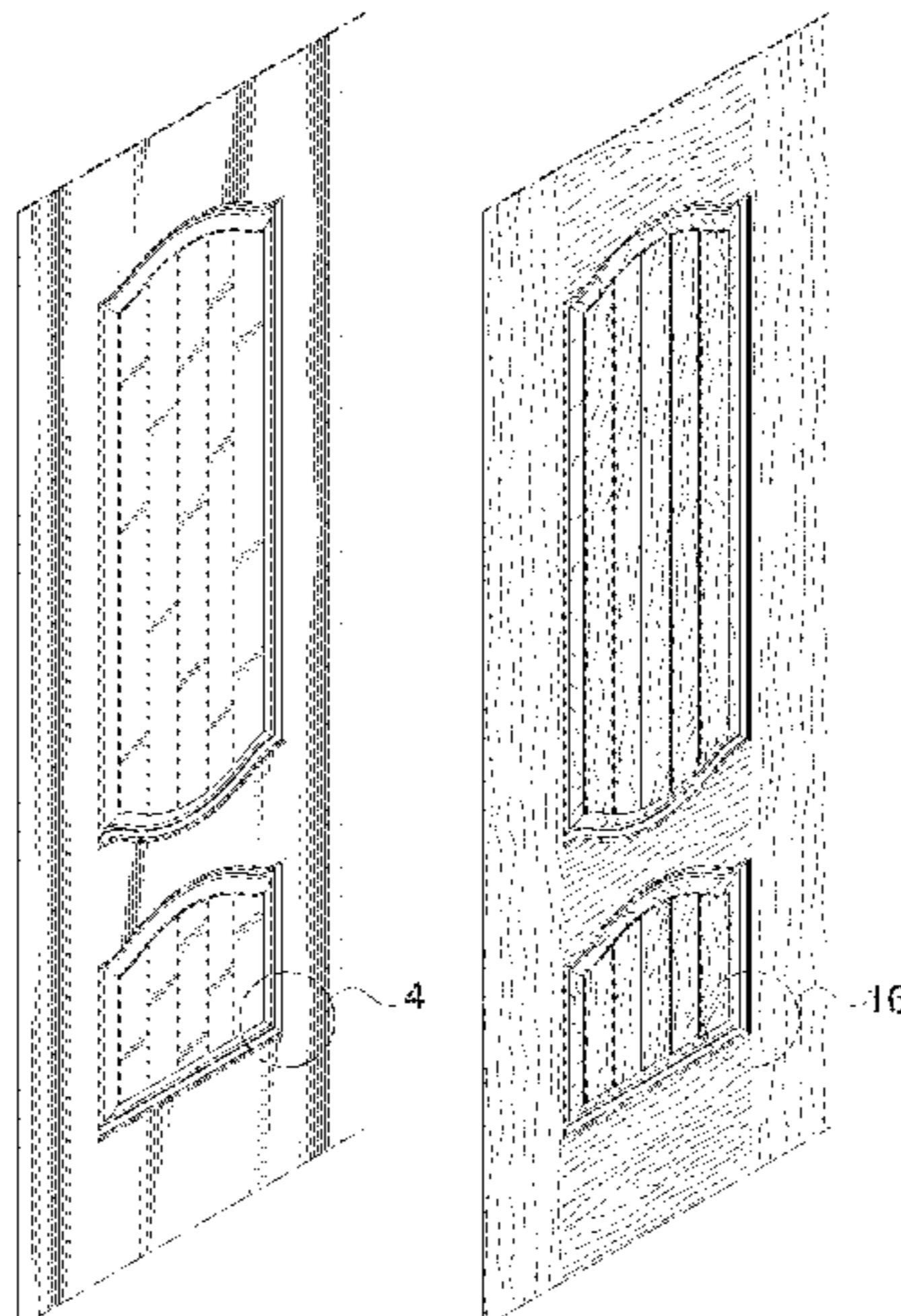
(57) **CLAIM**

The ornamental design for a door facing, as shown and described.

DESCRIPTION

FIG. 1 is a front perspective view of a first version of a door facing;
FIG. 2 is a front elevational view;
FIG. 3 is a rear elevational view;
FIG. 4 is an enlarged view of the encircled portion of FIG. 1;
FIG. 5 is a top view;
FIG. 6 is a bottom view;
FIG. 7 is a cross sectional view taken along the line 7-7 of FIG. 2;
FIG. 8 is an enlarged cross sectional view of the encircled portion of FIG. 7;
FIG. 9 is a right side view;
FIG. 10 is a left side view;
FIG. 11 is a cross sectional view taken along the line 11-11 of FIG. 2;
FIG. 12 is an enlarged cross sectional view of the encircled portion of FIG. 11;
FIG. 13 is a front perspective view of a second version of a door facing;
FIG. 14 is a front elevational view thereof;
FIG. 15 is a rear elevational view;
FIG. 16 is an enlarged view of the encircled portion of FIG. 13;
FIG. 17 is a top view;
FIG. 18 is a bottom view;
FIG. 19 is a cross sectional view taken along the line 19-19 of FIG. 14;
FIG. 20 an enlarged cross sectional view of the encircled portion of FIG. 19;
FIG. 21 is a right side view;
FIG. 22 is a left side view;
FIG. 23 is a cross sectional view taken along the line 23-23 of FIG. 14; and,
FIG. 24 is an enlarged fragmentary cross sectional view of the encircled portion of FIG. 23.

(Continued)



The broken line ovals in the figures depict the limits of the enlarged views and form no part of the claimed design.

1 Claim, 14 Drawing Sheets

(58) Field of Classification Search

CPC E06B 3/58; E06B 3/72; E06B 3/78; E06B
3/485; E06B 3/4636; E06B 3/5892; E06B
2003/7044; E06B 2003/7048; E06B 1/04;
E06B 1/006; E06B 1/524; E06B 5/00;
E04C 2/36

See application file for complete search history.

(56) References Cited

U.S. PATENT DOCUMENTS

D534,660	S	*	1/2007	Lynch	D25/138
D552,252	S	*	10/2007	Davina	D25/48.3
D564,102	S	*	3/2008	Meyer	D25/138
D564,103	S	*	3/2008	Meyer	D25/138
D607,121	S	*	12/2009	Davina	D25/48.3
D625,023	S	*	10/2010	Turner	D25/48.3
D625,024	S	*	10/2010	Mullet	D25/48.3
D625,837	S	*	10/2010	Mullet	D25/48.3
D635,276	S	*	3/2011	Turner	D25/48.3

* cited by examiner

FIG. 1

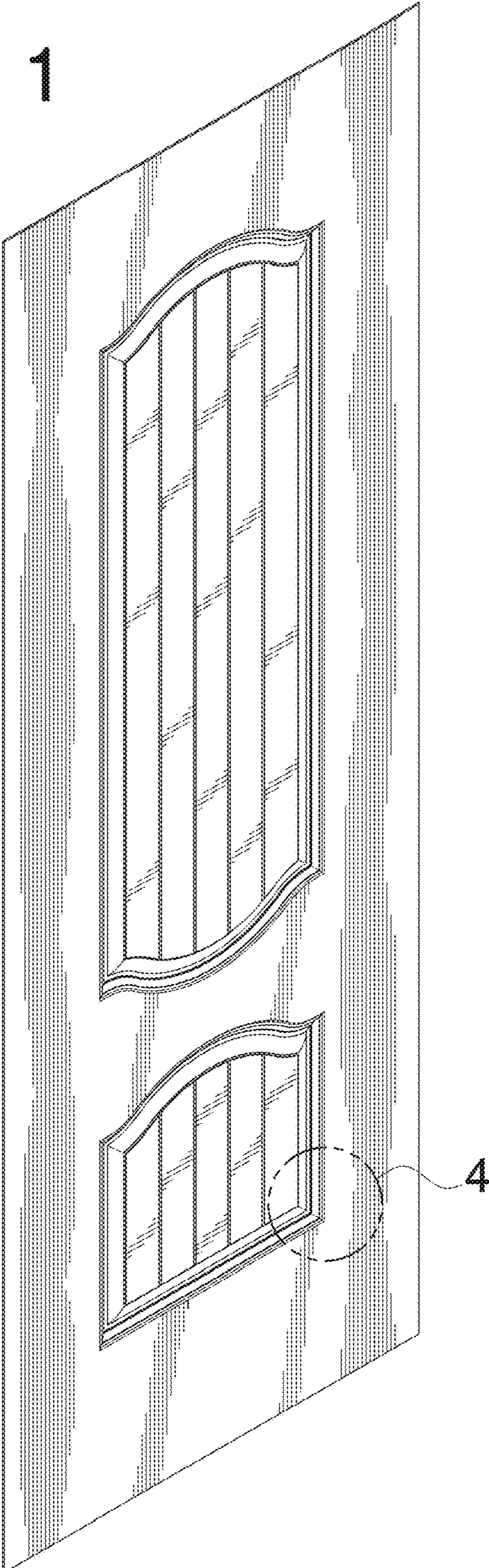


FIG. 2

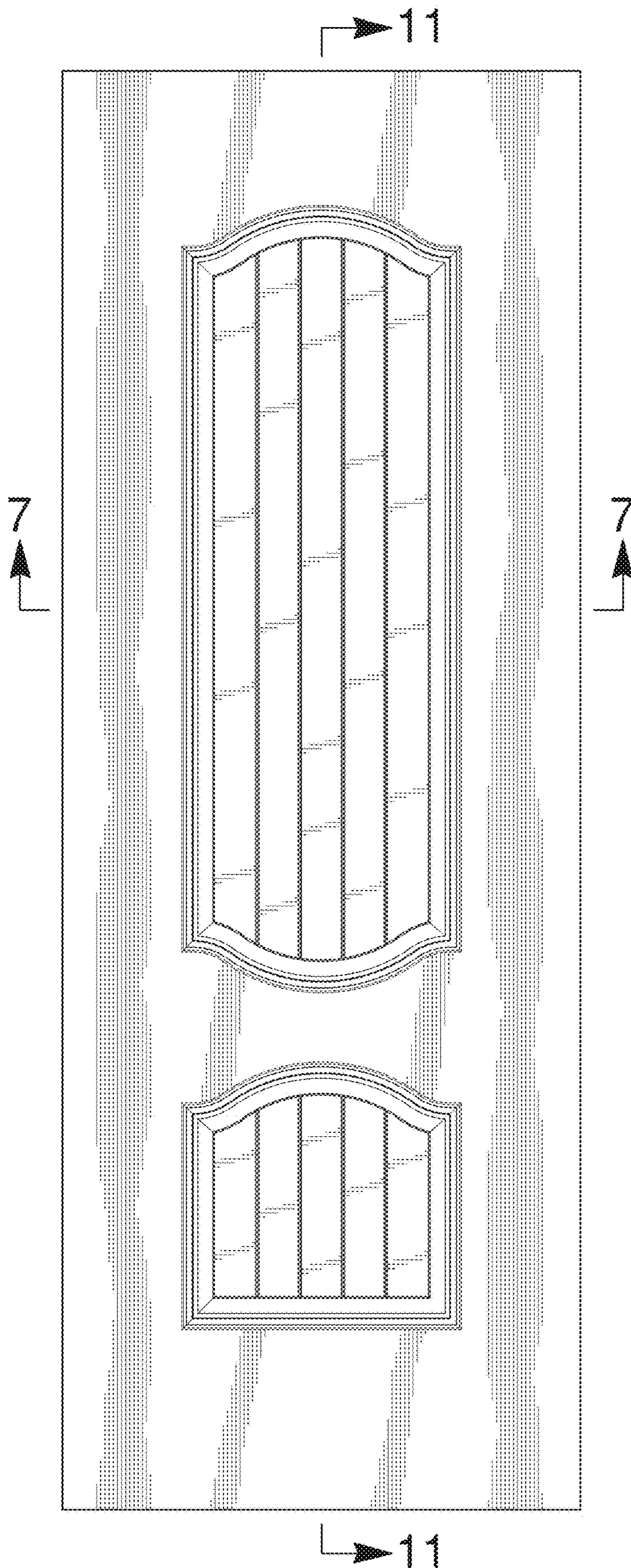


FIG. 3

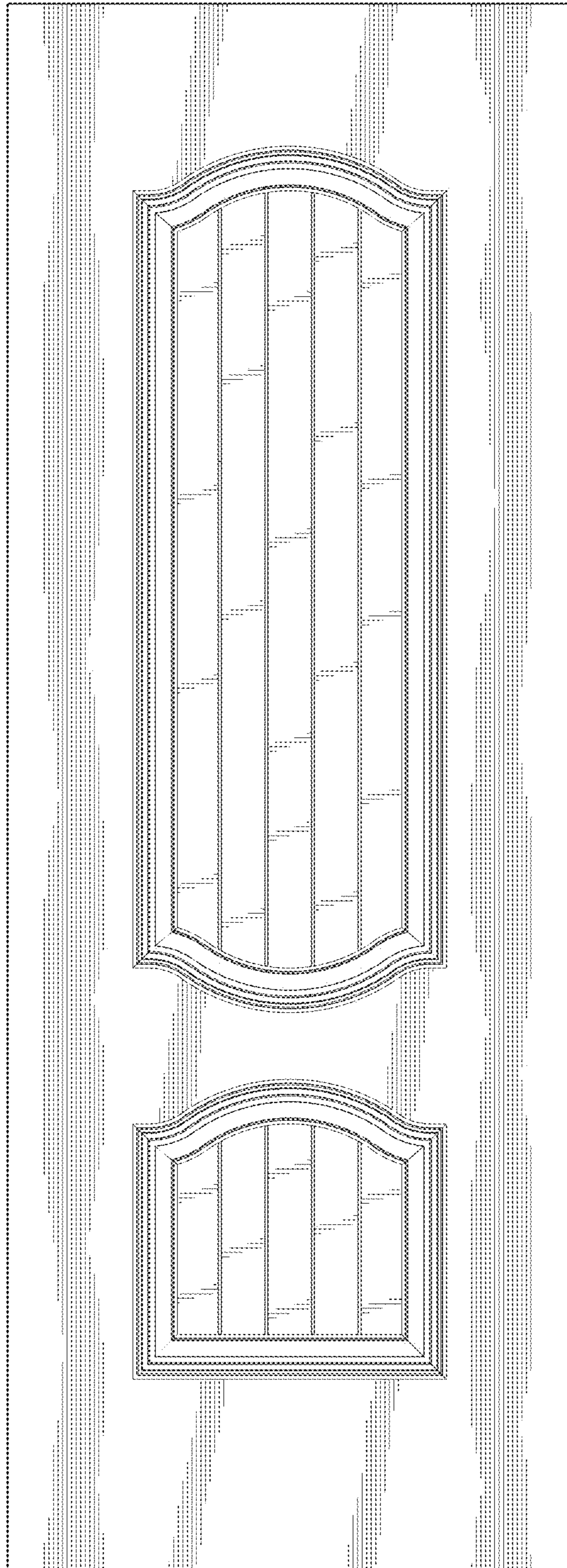


FIG. 4

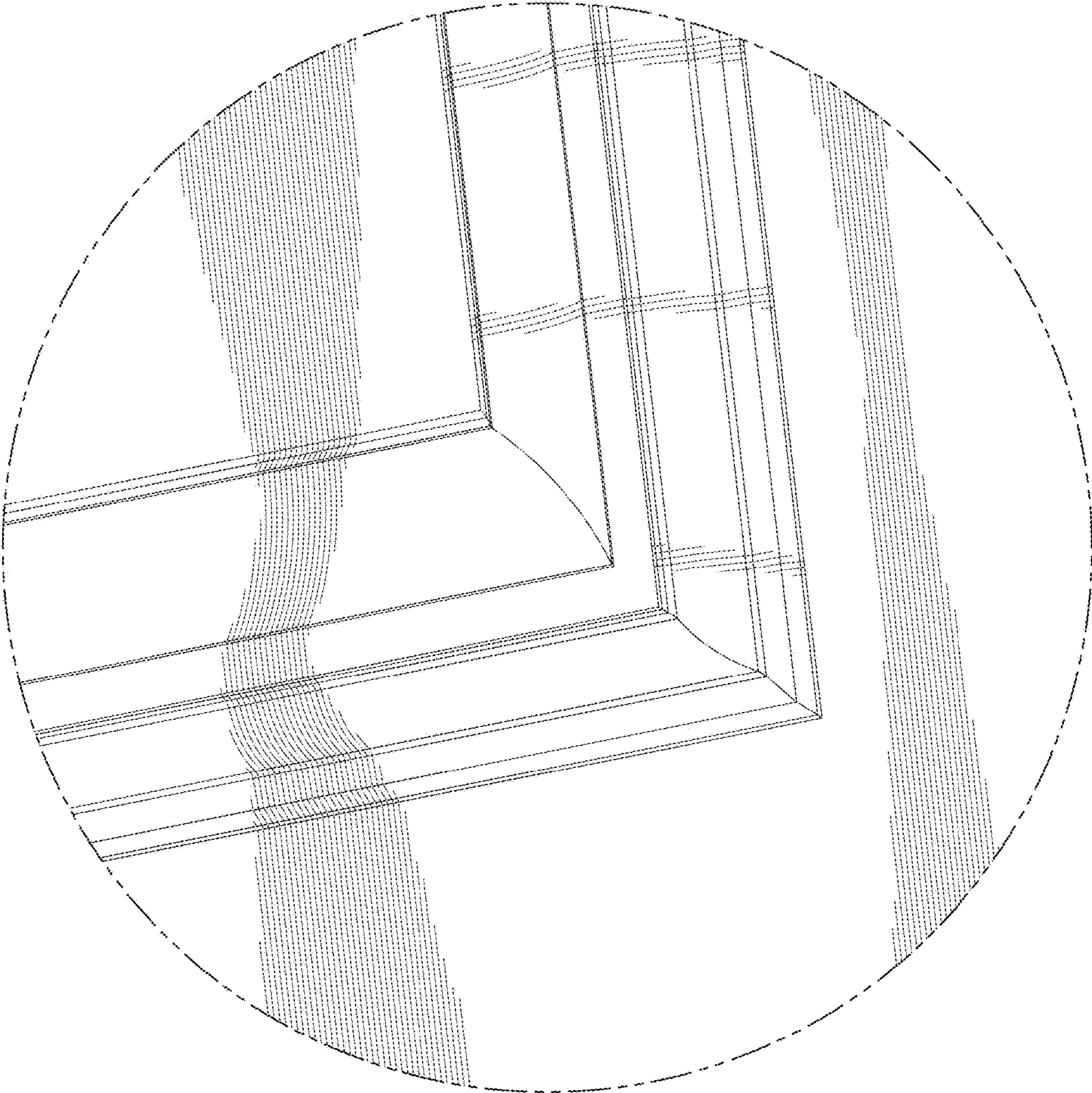


FIG. 5

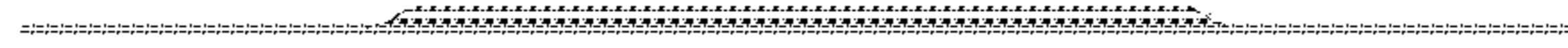


FIG. 6

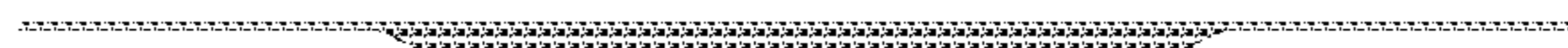


FIG. 7

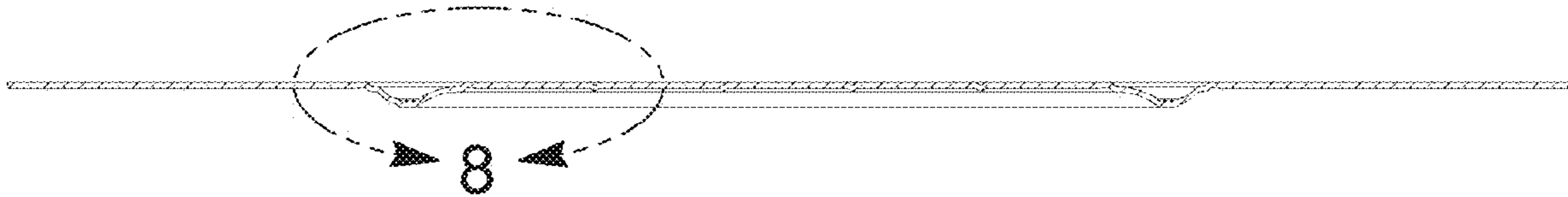


FIG. 8

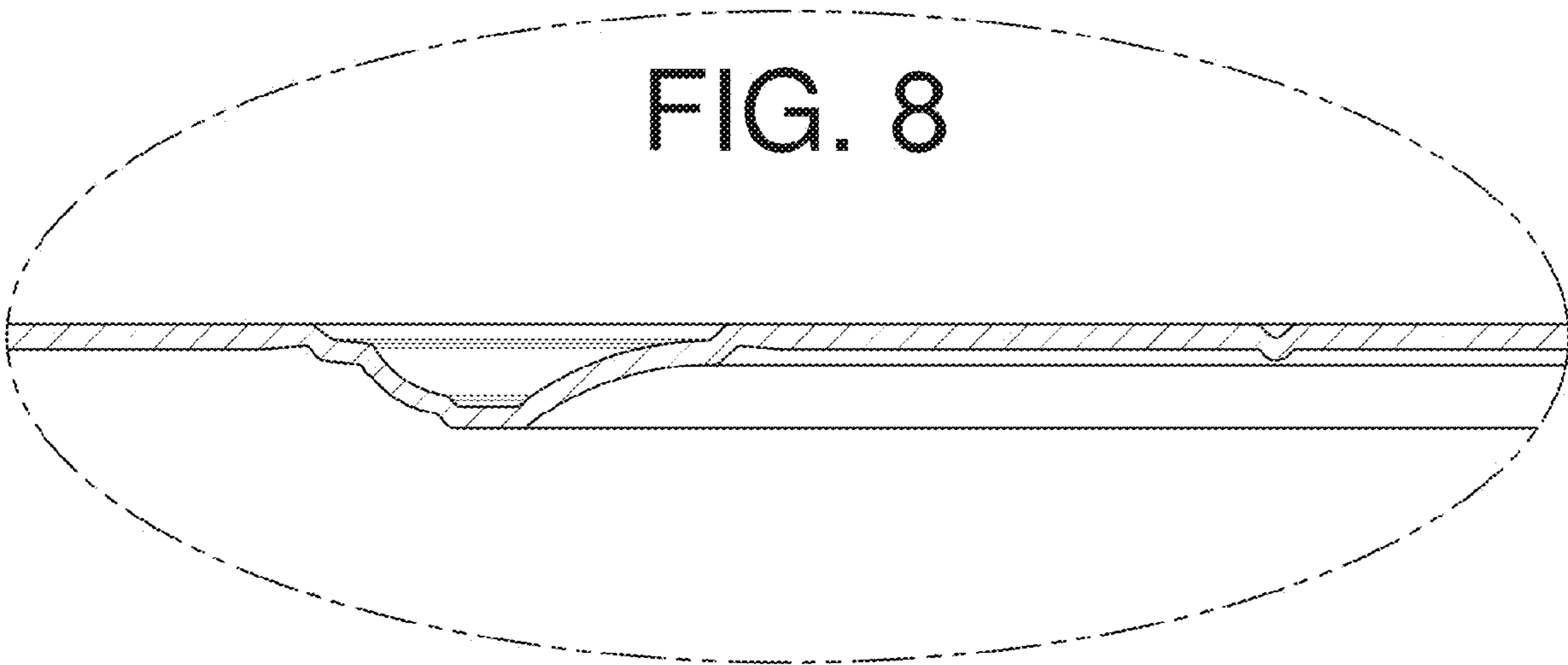




FIG. 9



FIG. 10

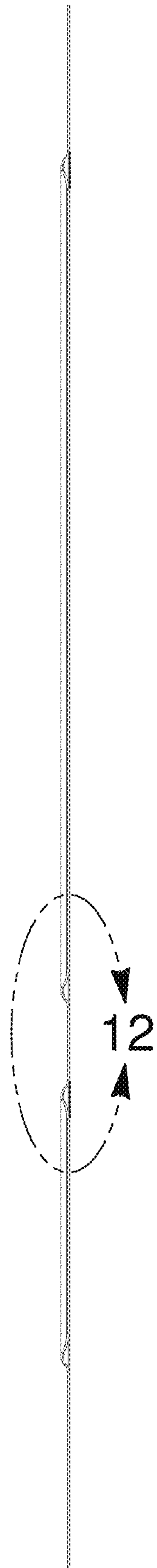


FIG. 11

FIG. 12

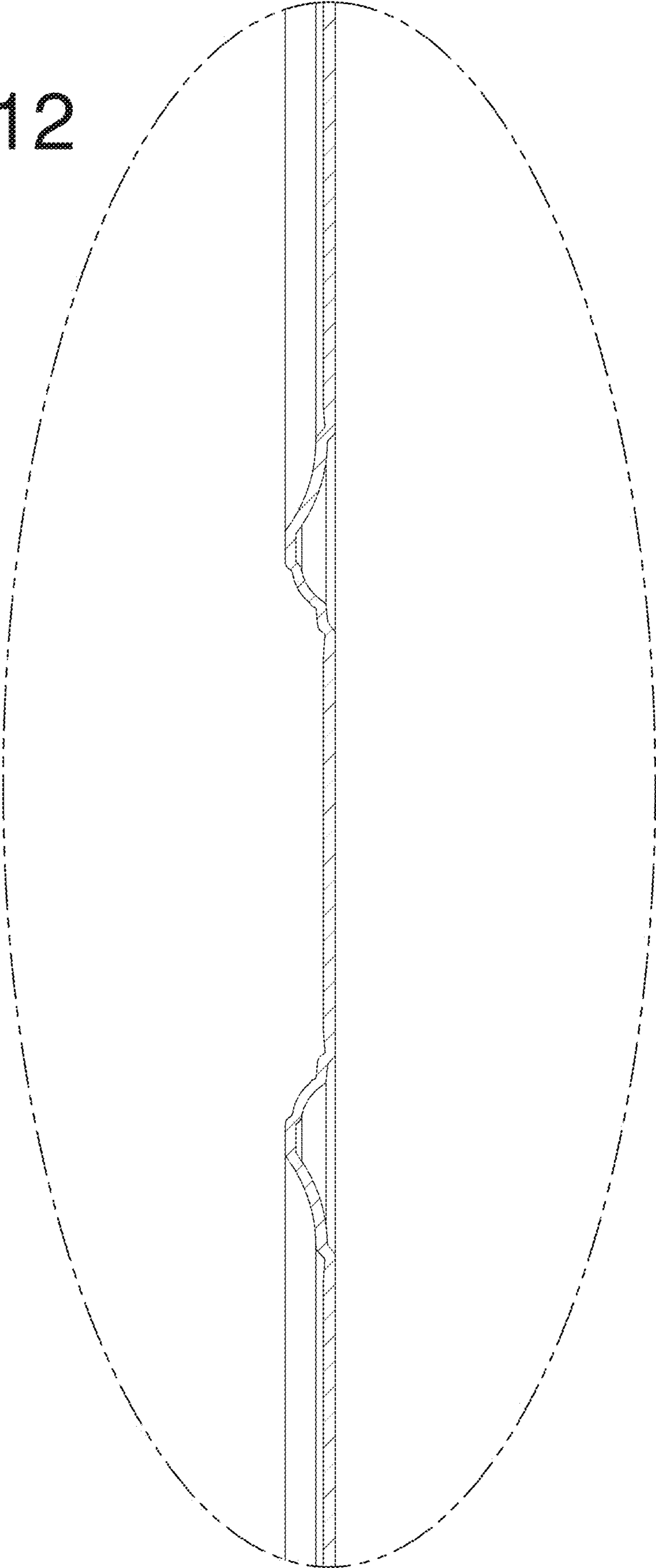


FIG. 13

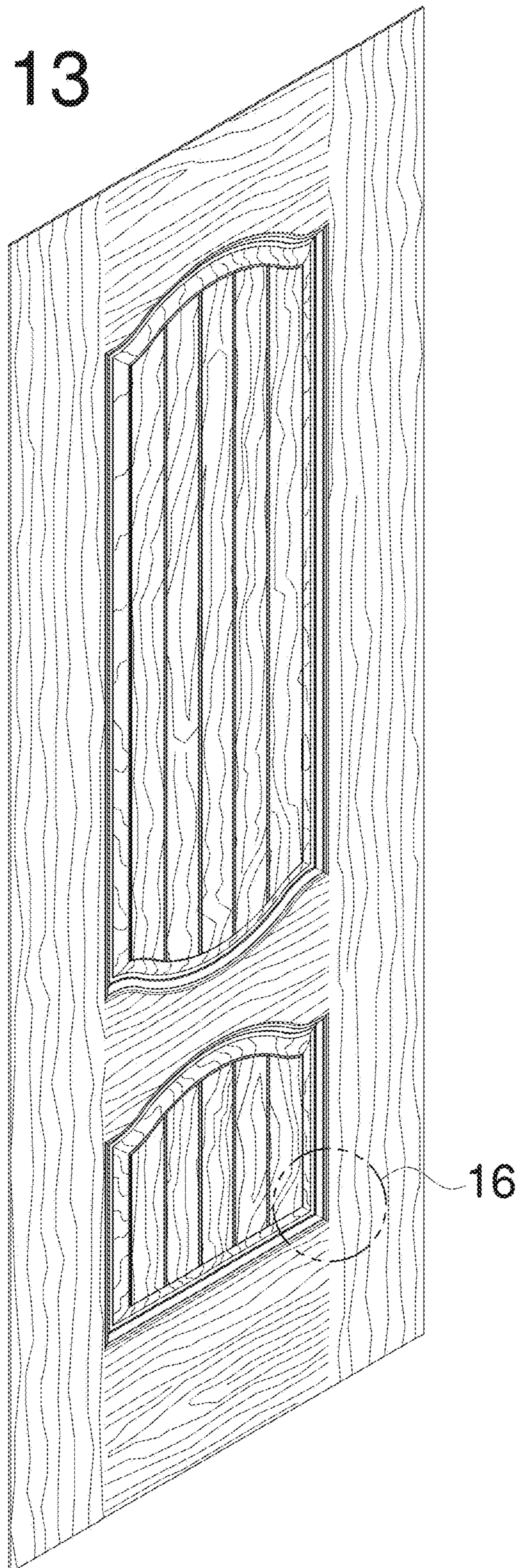


FIG. 14

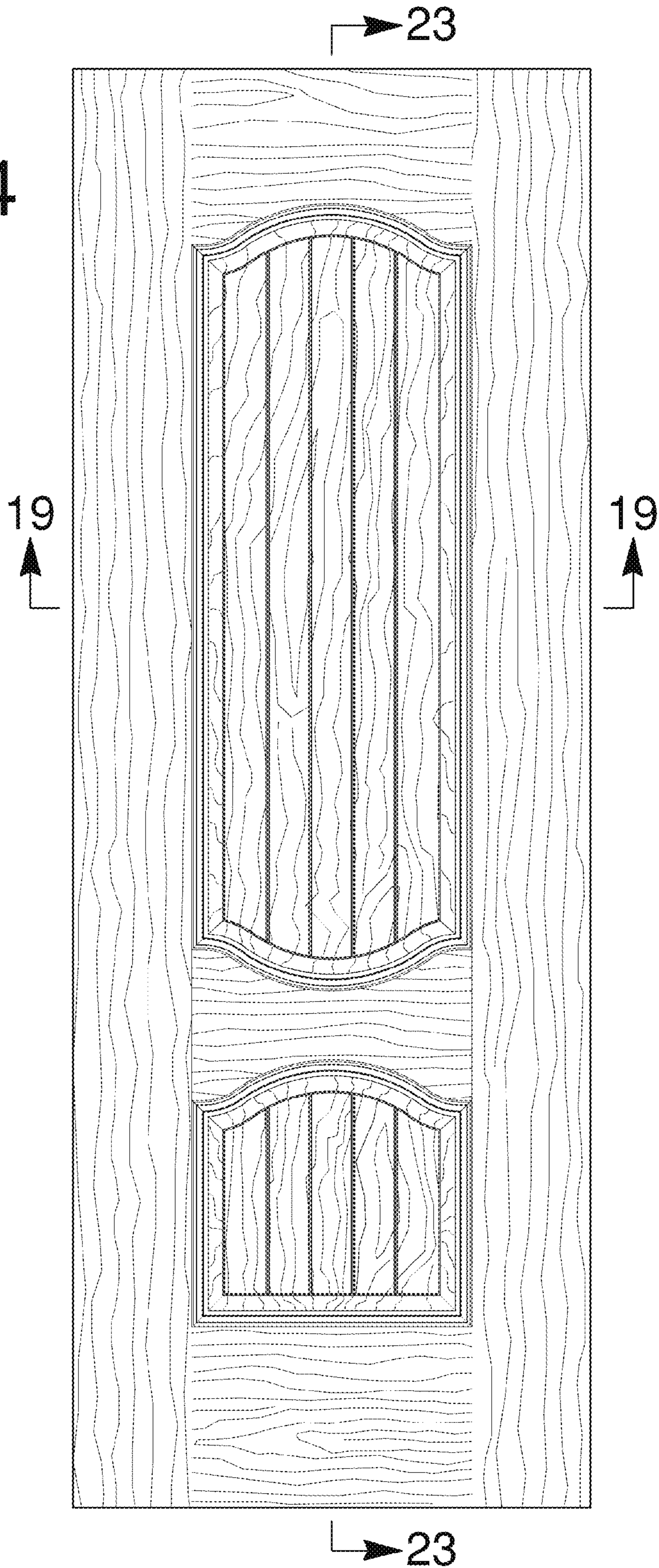


FIG. 15

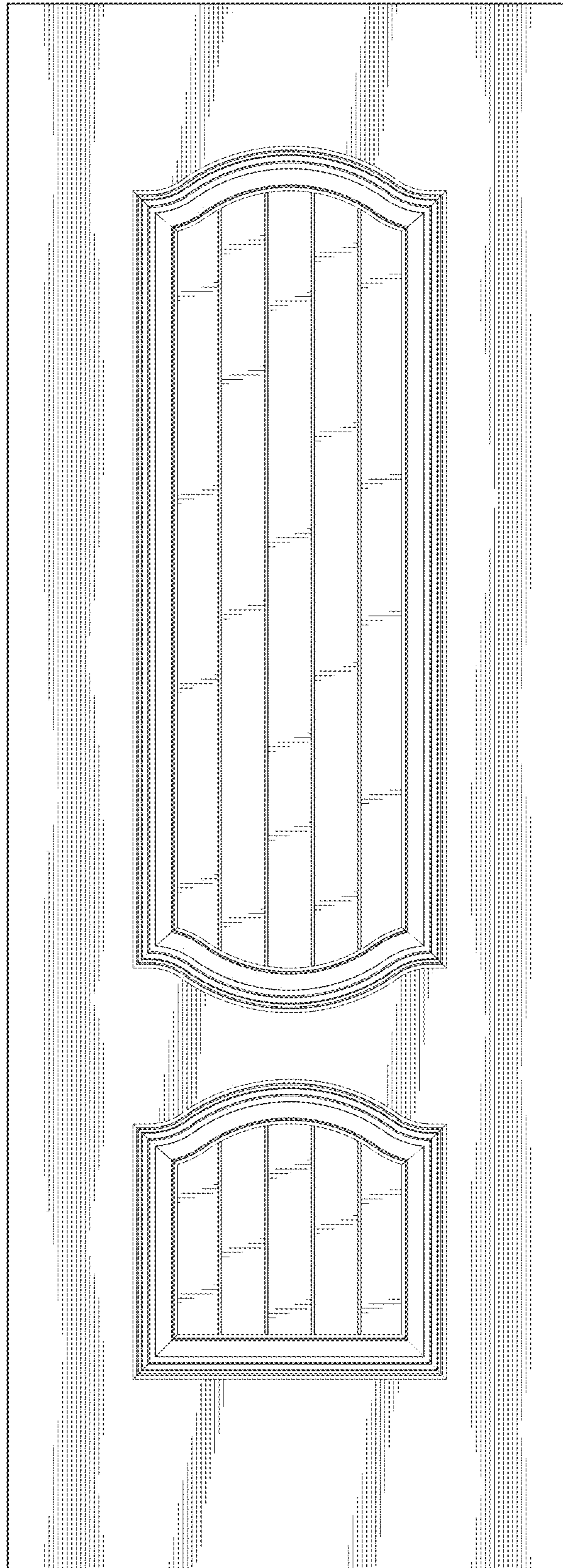


FIG. 16

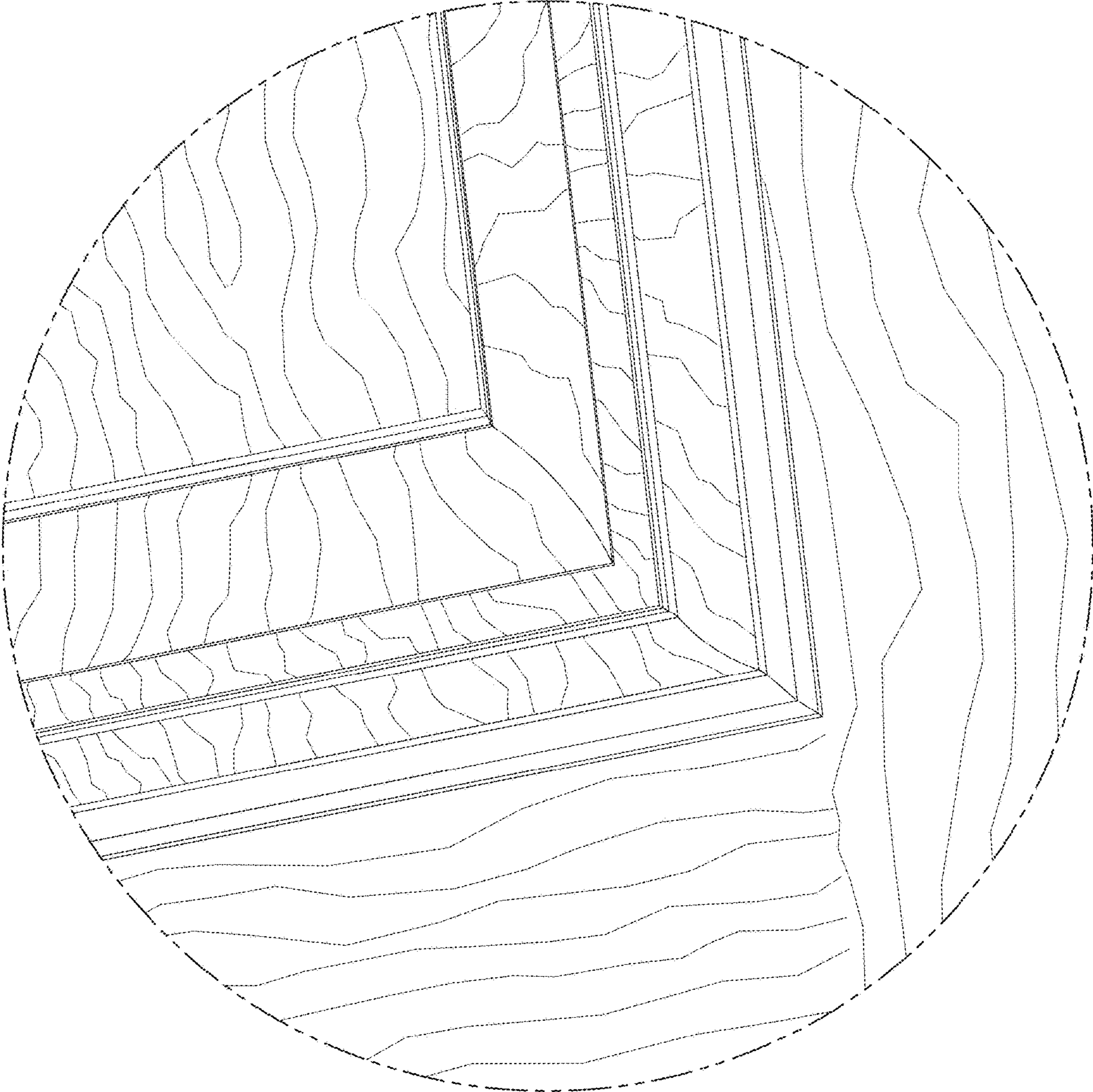


FIG. 17

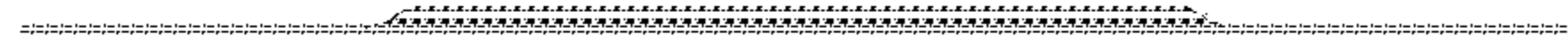


FIG. 18

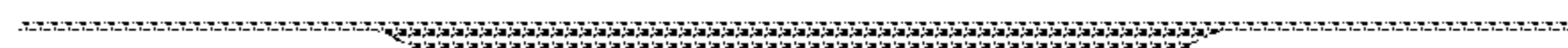


FIG. 19

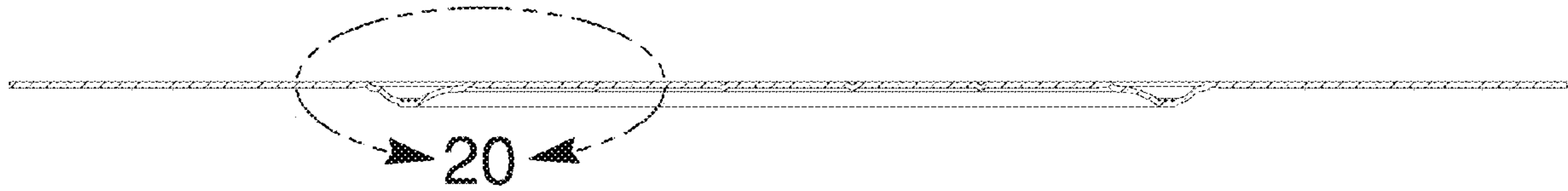
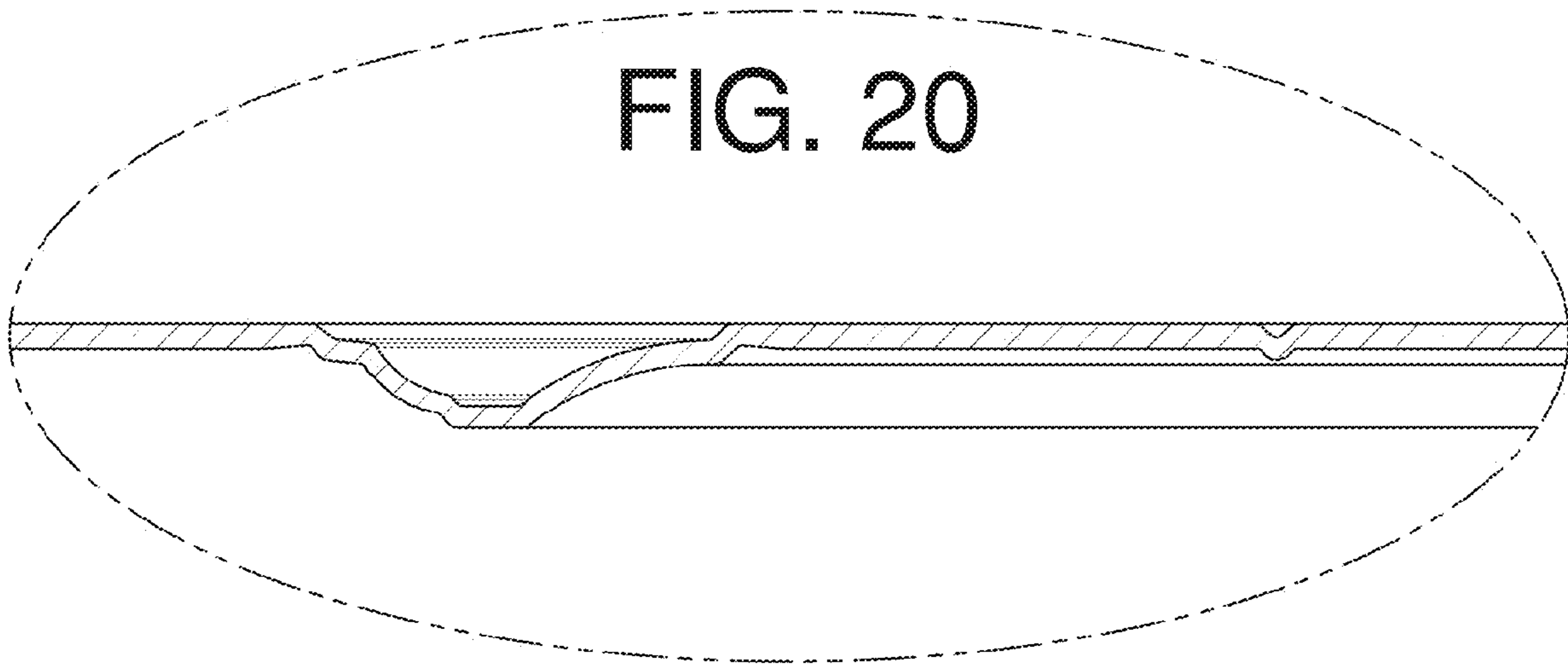


FIG. 20



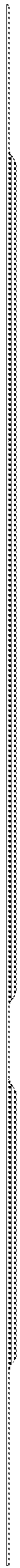


FIG. 21



FIG. 22

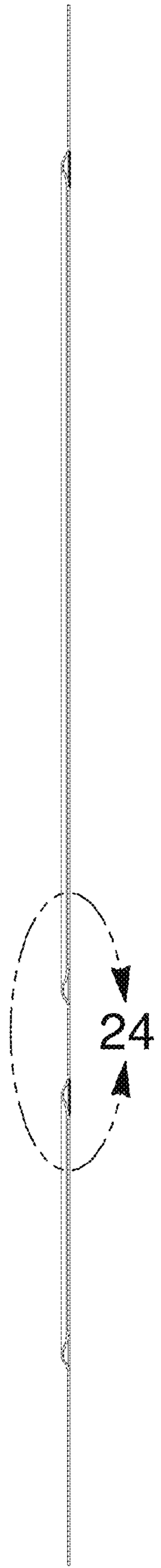


FIG. 23

FIG. 24

