



US00D893748S

(12) **United States Design Patent**
Yetkinler et al.

(10) **Patent No.:** **US D893,748 S**

(45) **Date of Patent:** **** Aug. 18, 2020**

(54) **BEAD MOLD**

(71) Applicant: **Dimensional Bioceramics, LLC**,
Menlo Park, CA (US)

(72) Inventors: **Duran Nihat Yetkinler**, San Jose, CA
(US); **Alfred Sugianto**, Union City, CA
(US)

(73) Assignee: **Dimensional Bioceramics LLC**, Santa
Cruz, CA (US)

(**) Term: **15 Years**

(21) Appl. No.: **29/664,297**

(22) Filed: **Sep. 24, 2018**

(51) **LOC (12) Cl.** **24-02**

(52) **U.S. Cl.**
USPC **D24/230**

(58) **Field of Classification Search**
USPC D24/216, 224-227, 229-231; D11/152;
D21/362, 341; D3/203.3, 203.4;
D23/261; D29/119; 206/528, 538, 557,
206/558, 564, 828

CPC A23G 1/226; A23G 3/0273
See application file for complete search history.

(56) **References Cited**

U.S. PATENT DOCUMENTS

D33,478 S *	10/1900	Kelly	D7/409
903,227 A *	11/1908	Pruden	A47G 7/00
				47/41.13
1,168,374 A *	1/1916	Barker	A63F 1/18
				235/90
2,974,843 A *	3/1961	Reifers	B65D 81/262
				229/407
D241,875 S *	10/1976	Insalaco	D11/164
4,176,591 A *	12/1979	Power	A21B 3/13
				99/430
4,426,002 A *	1/1984	Rez	B65D 85/00
				126/400

4,655,913 A *	4/1987	Boersma	E03C 1/264
				210/163
5,375,370 A *	12/1994	Zimmerman	A47G 7/07
				248/188
5,700,655 A *	12/1997	Croteau	B01L 3/5085
				435/288.4
D397,275 S *	8/1998	DuBay, Sr.	D7/667
D408,227 S *	4/1999	Swann, Jr.	D7/624.1

(Continued)

OTHER PUBLICATIONS

“InterSep Calcium Sulfate Preparation and Mixing Instructions” via Exactech, available Feb. 13, 2019, [online], [site visited Feb. 13, 2020]. Available from internet, URL: <https://www.exac.com/biologics/intersep-calcium-sulfate/> (Year: 2019).*

(Continued)

Primary Examiner — W. A. Teddy Falloway

(74) *Attorney, Agent, or Firm* — Rimon Law

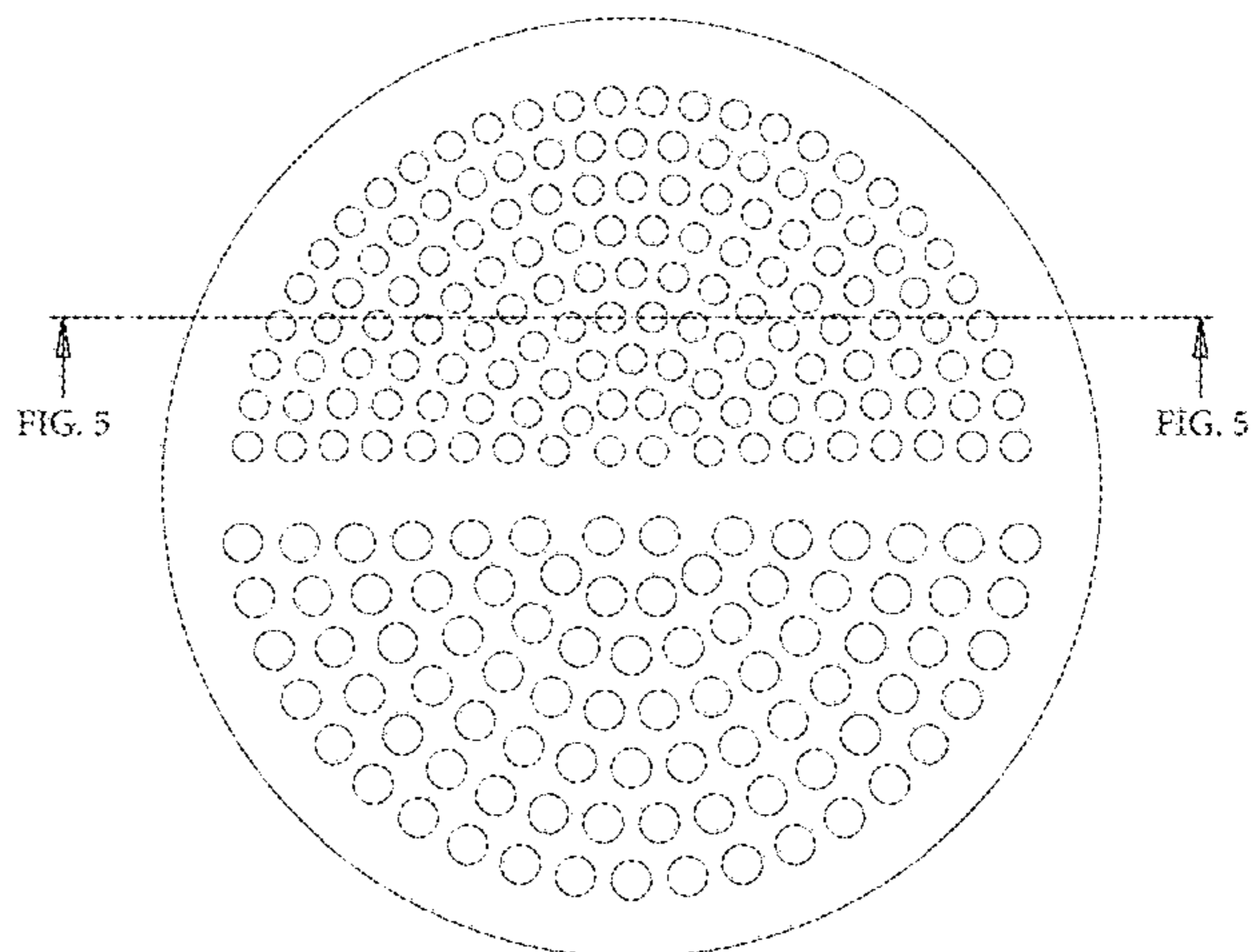
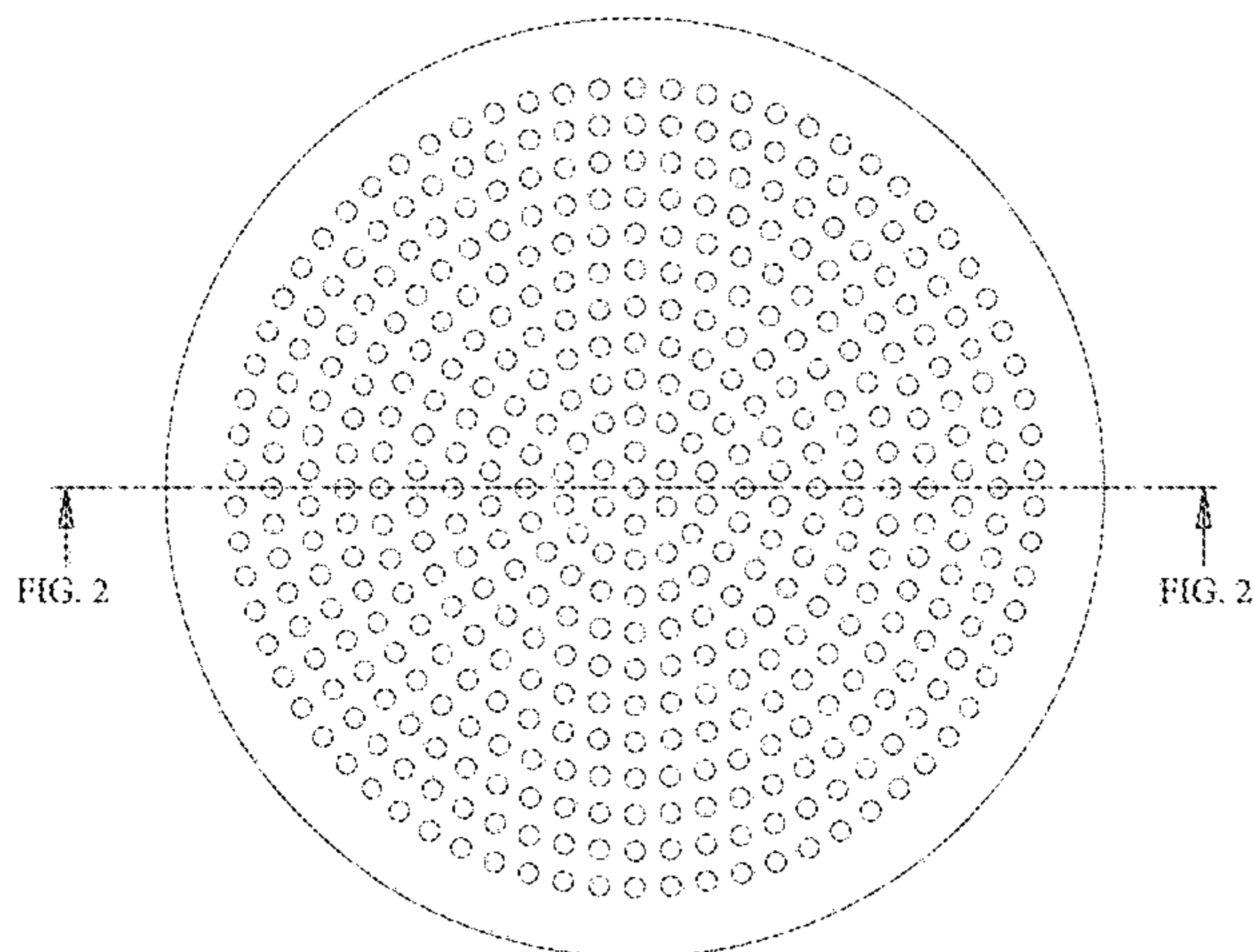
(57) **CLAIM**

We claim the ornamental design for a bead mold, as shown.

DESCRIPTION

FIG. 1 is a top plan view of the bead mold according to the claimed design;
 FIG. 2 is a cross-sectional view thereof.
 FIG. 3 is an enlarged view thereof.
 FIG. 4 is a bottom plan view thereof.
 FIG. 5 is a cross-sectional view thereof.
 FIG. 6 is an enlarged view thereof.
 FIG. 7 is another bottom plan view thereof.
 FIG. 8 is a cross-sectional view thereof.
 FIG. 9 is an enlarged view thereof.
 FIG. 10 is a top perspective view thereof.
 FIG. 11 is a bottom perspective view thereof; and,
 FIG. 12 is a side view thereof.

1 Claim, 6 Drawing Sheets



(56)

References Cited

U.S. PATENT DOCUMENTS

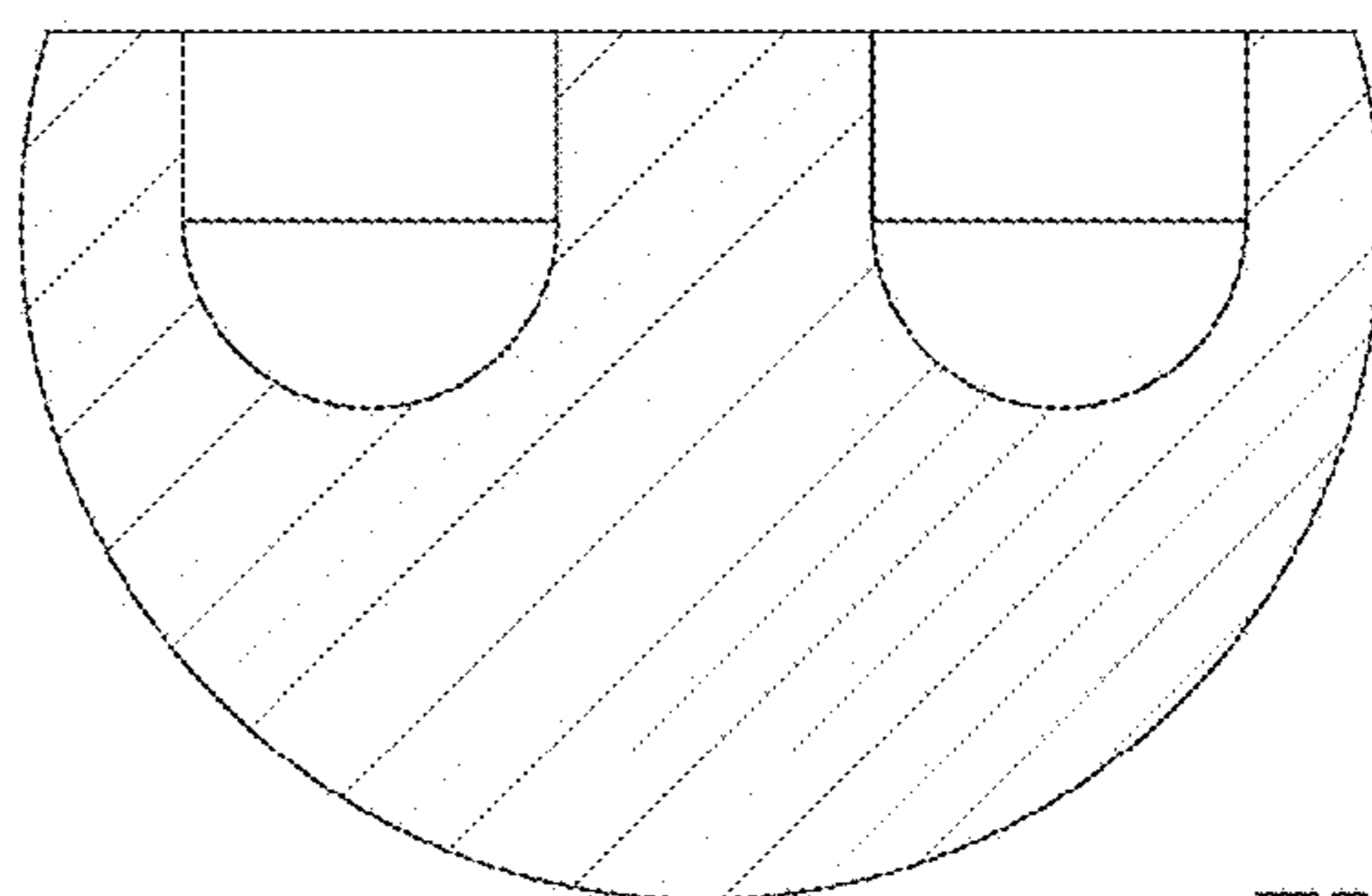
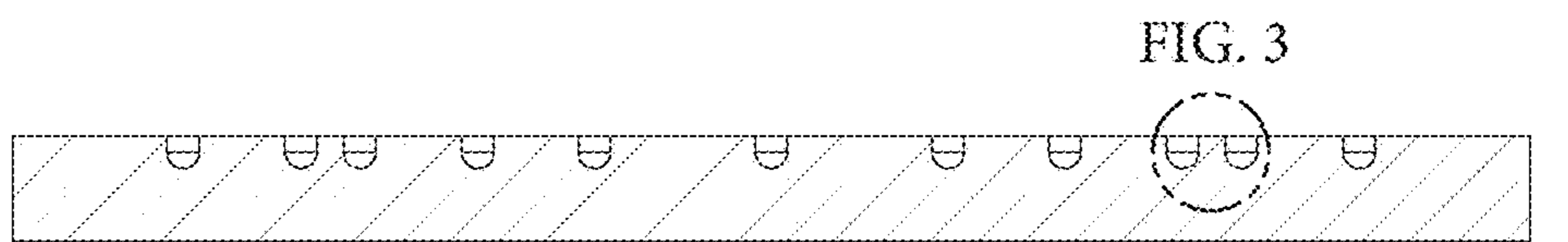
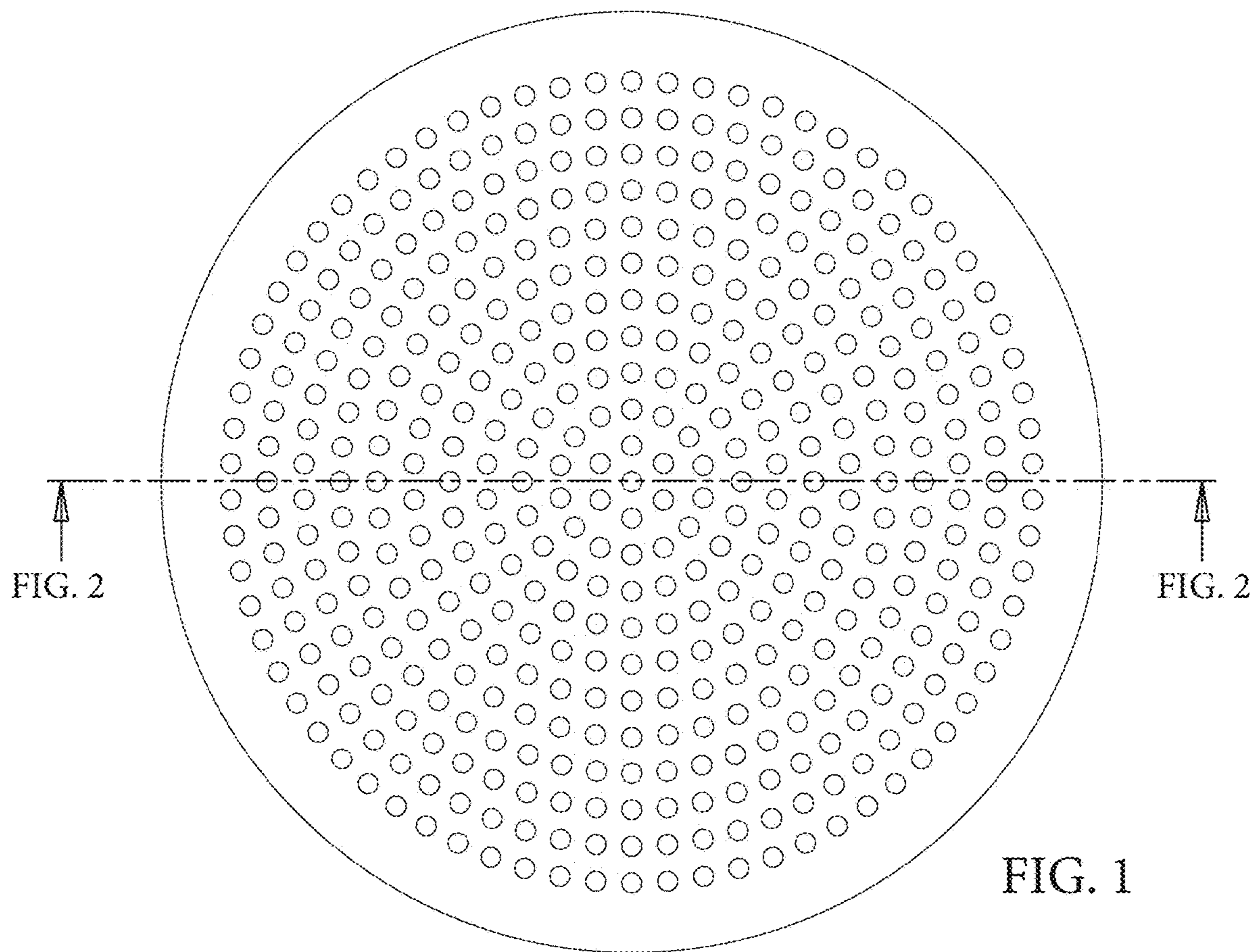
D435,481 S * 12/2000 Wagner D11/152
 D504,248 S * 4/2005 Wagner D6/403
 D504,249 S * 4/2005 Wagner D6/403
 D505,564 S * 5/2005 Wagner D6/403
 D515,315 S * 2/2006 Rader D3/304
 D552,308 S * 10/2007 Farr D30/161
 D577,159 S * 9/2008 Hasapoglou D30/128
 D602,535 S * 10/2009 Hoskins D21/345
 D611,300 S * 3/2010 Chen D7/409
 8,033,420 B2 * 10/2011 Roseblade A47G 19/2211
 220/369
 D690,984 S * 10/2013 Hauser D7/354
 D709,718 S * 7/2014 Snyder D6/682.4
 D743,298 S * 11/2015 Macari D11/152
 D746,955 S * 1/2016 Corder D23/261
 D812,519 S * 3/2018 Macari D11/164
 D816,434 S * 5/2018 Burns D7/667
 D850,323 S * 6/2019 Kaminski D11/152
 D874,617 S * 2/2020 Chen D23/261
 D877,556 S * 3/2020 Saad D7/359

2004/0036004 A1* 2/2004 De Groot A23G 1/226
 249/155
 2005/0019442 A1* 1/2005 Leu G02B 6/0036
 425/175
 2013/0099649 A1* 4/2013 Snyder A47J 31/4425
 312/348.3
 2014/0262846 A1* 9/2014 Comstock D04D 1/04
 206/6.1
 2015/0083249 A1* 3/2015 Spiegl B29C 45/0025
 137/561 A
 2016/0122995 A1* 5/2016 Corder B01D 35/02
 210/767
 2017/0246551 A1* 8/2017 Kamiyama A63F 9/06
 2020/0055113 A1* 2/2020 Furumai B22D 11/22

OTHER PUBLICATIONS

“Local Antibiotic Delivery by Stimulan”, slide 2, available Feb. 13, 2013, [online], [site visited Feb. 13, 2020]. Available from internet, URL: <https://www.slideshare.net/mangalparihar/use-of-local-antibiotic-depot-stimulan> (Year: 2013).*

* cited by examiner



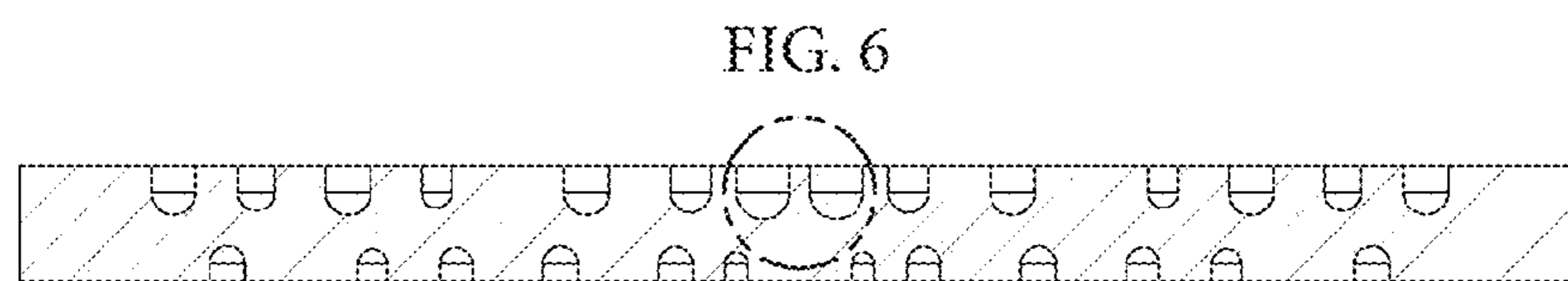
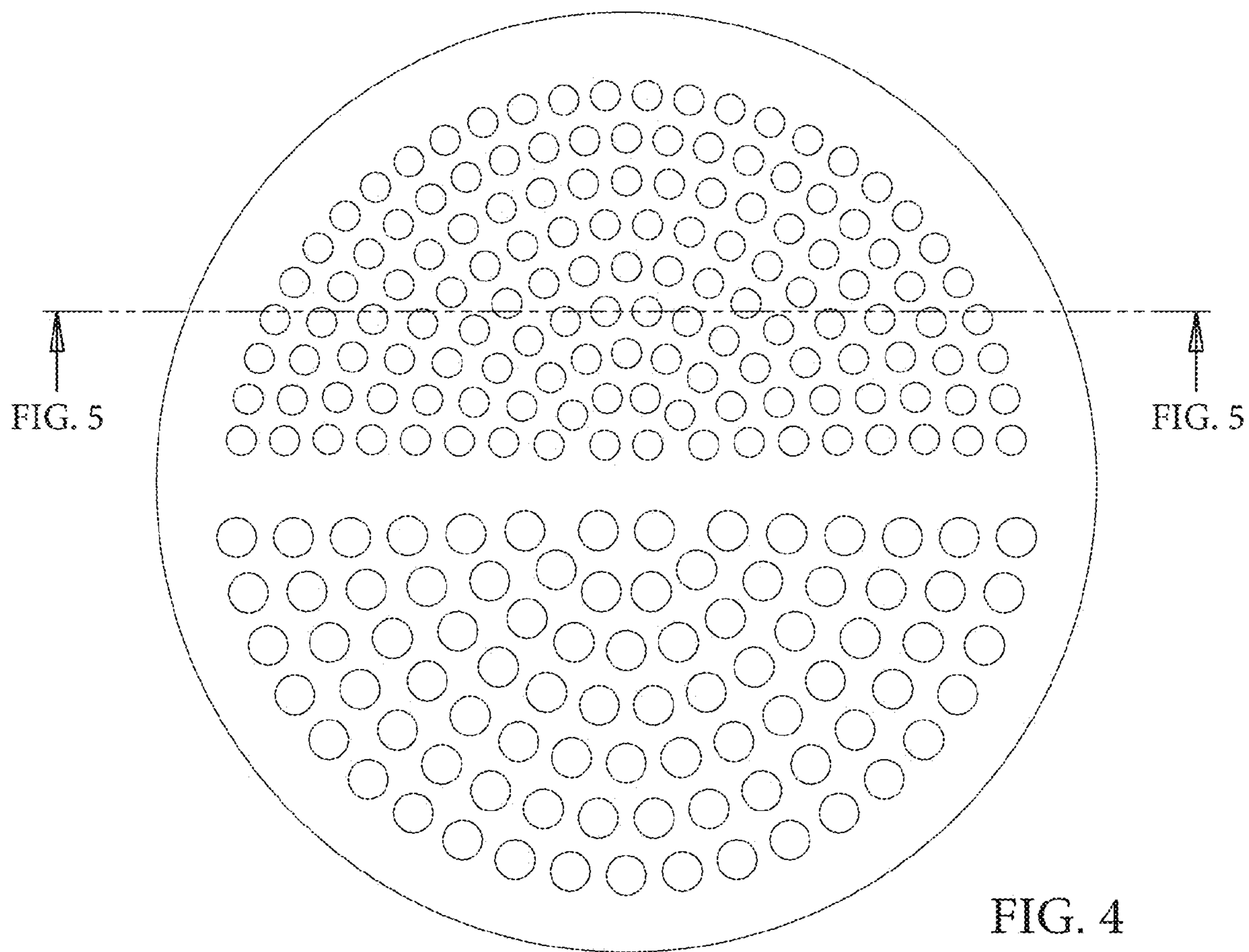


FIG. 5

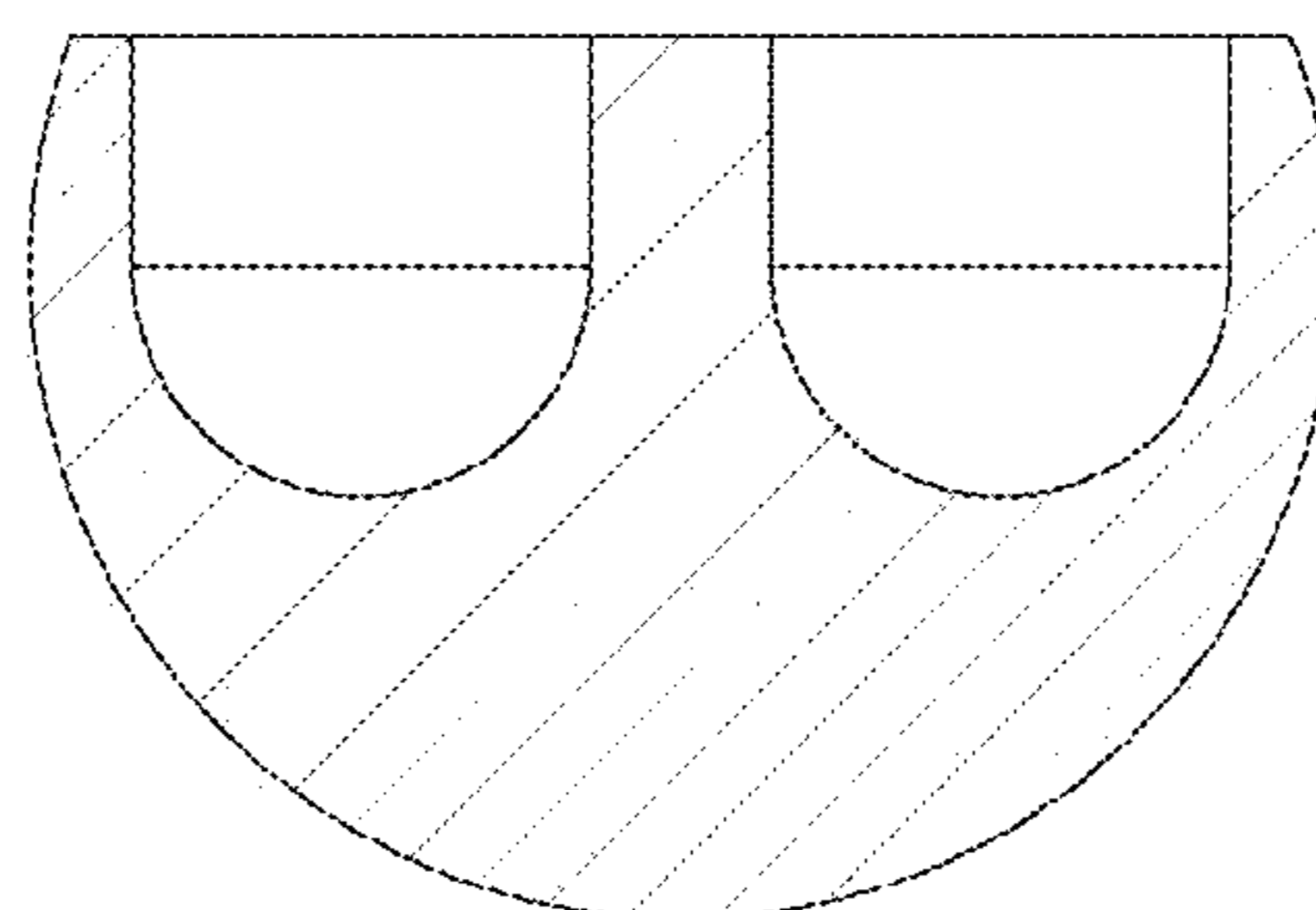


FIG. 6

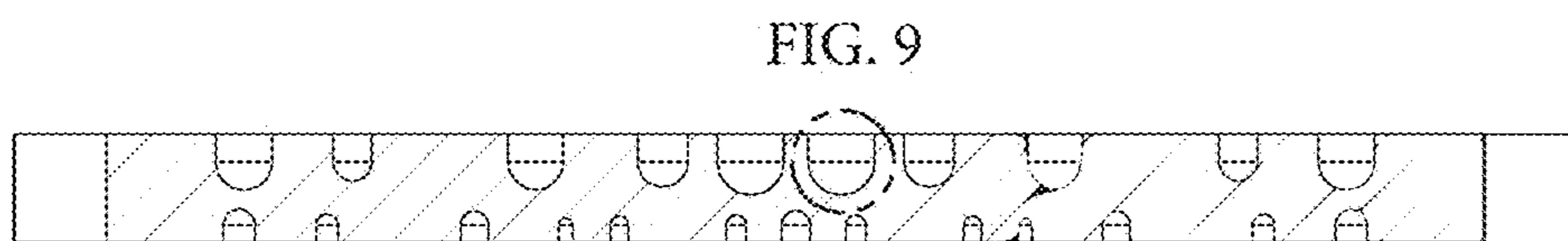
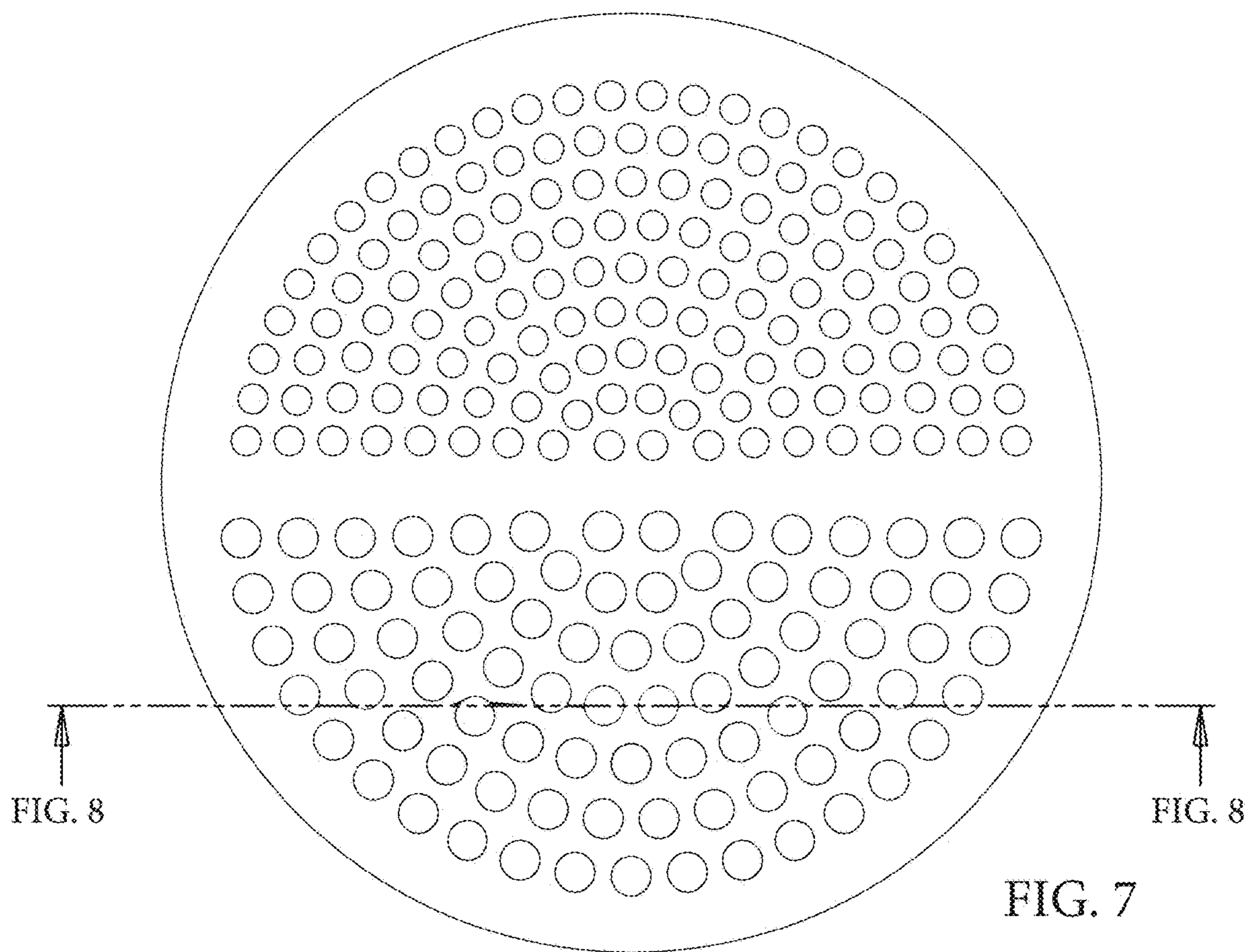


FIG. 8

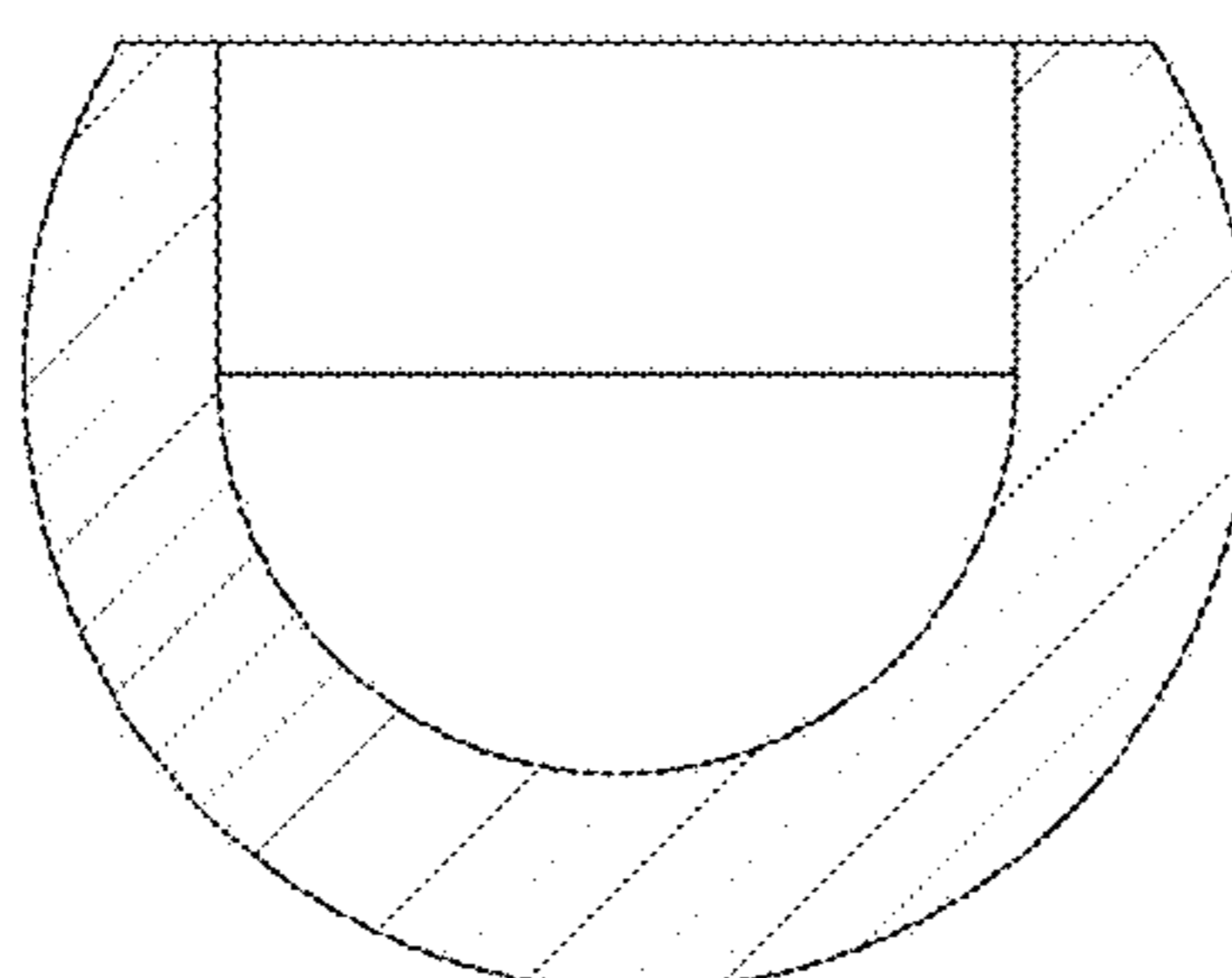


FIG. 9

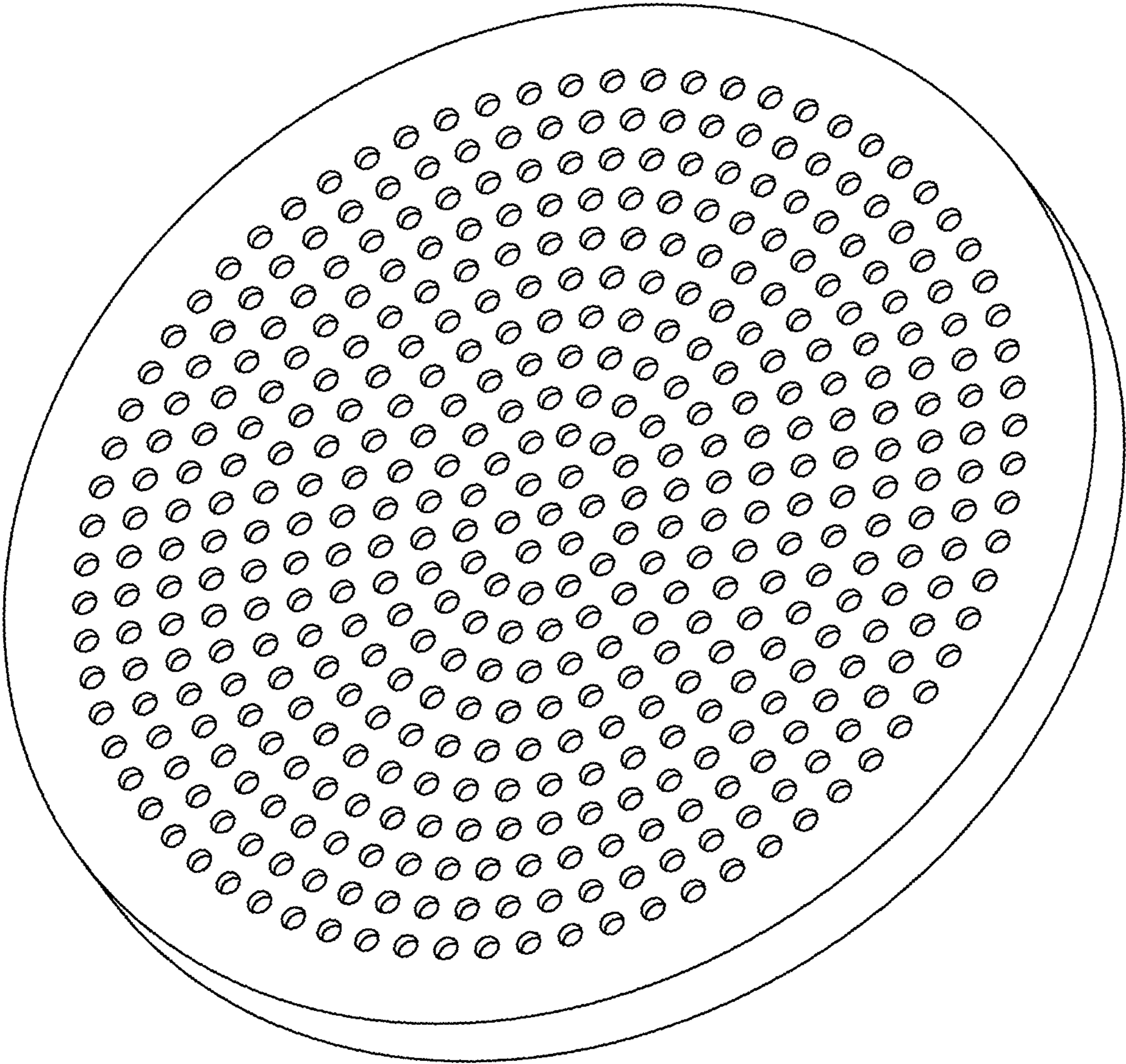


FIG. 10

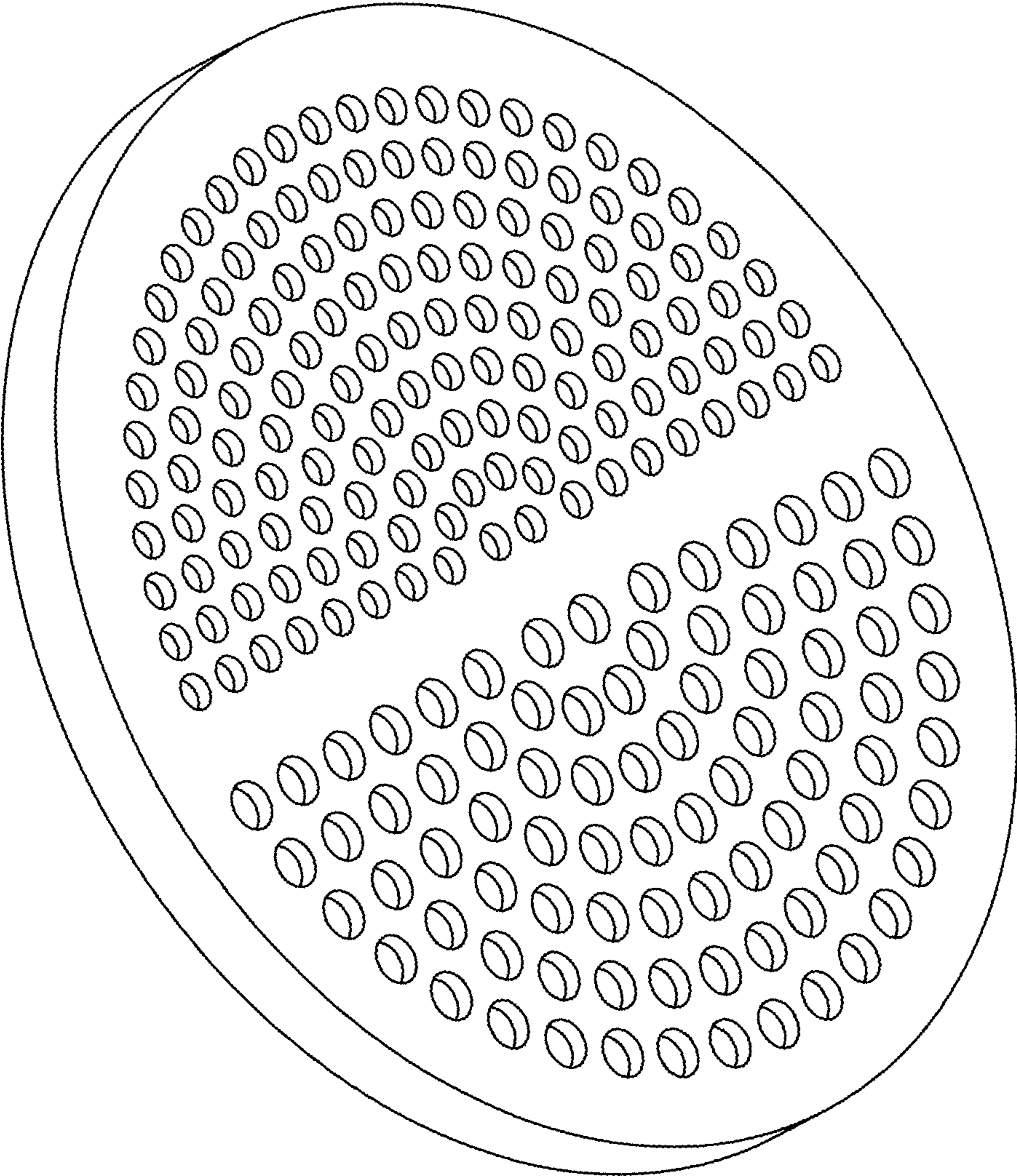


FIG. 11



FIG. 12