



US00D893747S

(12) **United States Design Patent**
Hautamäki

(10) **Patent No.:** **US D893,747 S**

(45) **Date of Patent:** **** Aug. 18, 2020**

(54) **RACK FOR TEST TUBES**

(71) Applicant: **Thermo Fisher Scientific Oy**, Vantaa (FI)

(72) Inventor: **Mika Hautamäki**, Vantaa (FI)

(73) Assignee: **THERMO FISHER SCIENTIFIC OY**, Vantaa (FI)

(**) Term: **15 Years**

(21) Appl. No.: **29/625,806**

(22) Filed: **Nov. 13, 2017**

(30) **Foreign Application Priority Data**

May 12, 2017 (EM) 003999093

(51) **LOC (12) Cl.** **24-02**

(52) **U.S. Cl.**
USPC **D24/229**

(58) **Field of Classification Search**
USPC D24/108, 127-130, 216, 224, 227-232;
D9/756-758

CPC . B65D 25/108; B01L 9/00; B01L 9/06; B01L 9/065; B01L 9/543

See application file for complete search history.

(56) **References Cited**

U.S. PATENT DOCUMENTS

D461,554 S *	8/2002	Lafond	D24/227
6,875,405 B1 *	4/2005	Mathus	B01L 9/06 206/446
D601,713 S *	10/2009	Lohn	D24/226
D620,605 S *	7/2010	Reitze	D24/227
D645,156 S *	9/2011	Reitze	D24/227
D701,617 S *	3/2014	Tsukiji	D24/227
D702,854 S *	4/2014	Nakahana	D24/227
D732,187 S *	6/2015	Houkal	D24/227
D770,042 S *	10/2016	Christensen	D24/128
D782,027 S *	3/2017	Ilan	D24/108
D806,260 S *	12/2017	Malyarov	D24/229

D826,425 S *	8/2018	Muller	D24/230
D826,426 S *	8/2018	Muller	D24/230
D840,053 S *	2/2019	Kamees	D24/230

(Continued)

FOREIGN PATENT DOCUMENTS

JP D2013-8269 * 4/2013

Primary Examiner — Susan Bennett Hattan

Assistant Examiner — Omeed Agilee

(74) *Attorney, Agent, or Firm* — Birch, Stewart, Kolasch & Birch, LLP

(57) **CLAIM**

The ornamental design for a rack for test tubes, as shown and described.

DESCRIPTION

FIG. 1 is a perspective view of a rack for test tubes showing my new design;

FIG. 2 is a top plan view thereof;

FIG. 3 is bottom plan view thereof;

FIG. 4 is a right side elevational view thereof;

FIG. 5 is a left side elevational view thereof;

FIG. 6 is a front elevational view thereof;

FIG. 7 is a rear elevational view thereof;

FIG. 8 is an enlarged top view of the claimed portion of the rack for test tubes taken from area 8 circumscribed within FIG. 2;

FIG. 9 is a left side elevational view of FIG. 8;

FIG. 10 is a right side elevational view of FIG. 8;

FIG. 11 is a front elevational view of FIG. 8;

FIG. 12 is a rear elevational view of FIG. 8;

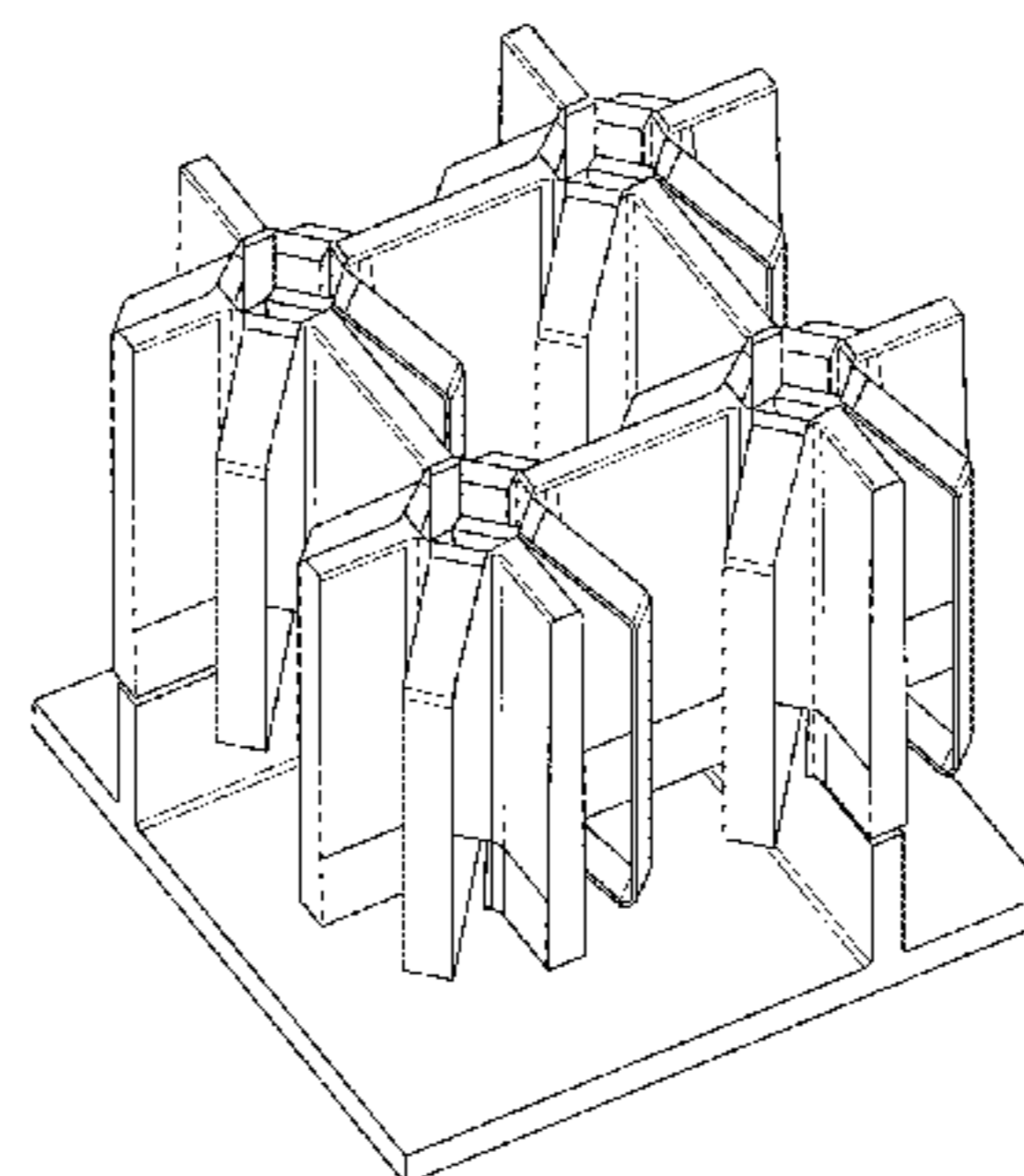
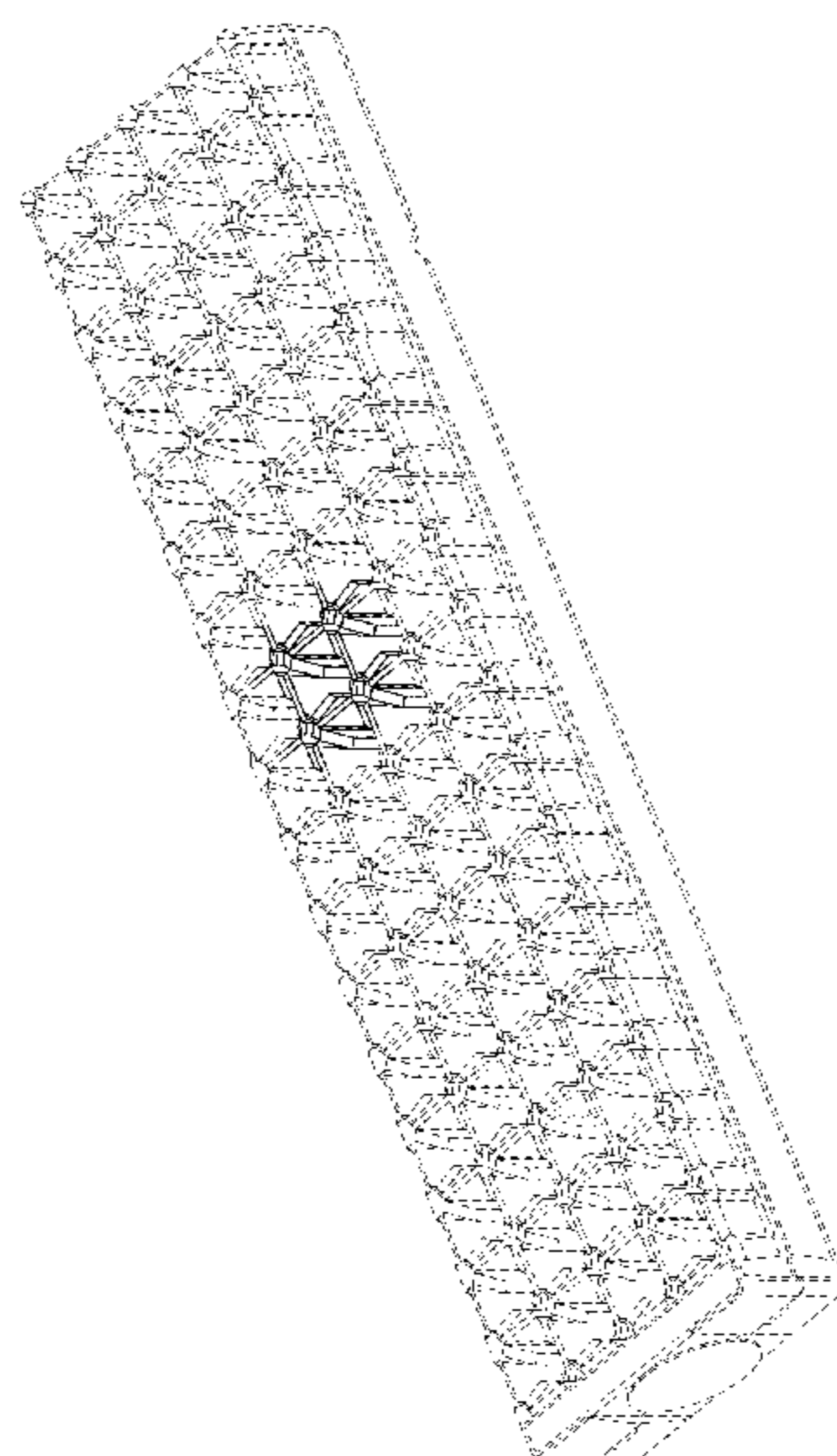
FIG. 13 is a front, left perspective view of FIG. 8;

FIG. 14 is a rear, left perspective view of FIG. 8; and,

FIG. 15 is bottom plan view of FIG. 8.

The broken lines are included for the purpose of illustrating portions of the rack for test tubes that form no part of the claimed design.

1 Claim, 15 Drawing Sheets



(56)

References Cited

U.S. PATENT DOCUMENTS

2016/0305734 A1* 10/2016 Nizzoli F41B 5/06
2018/0071731 A1* 3/2018 Ho B01L 3/50853

* cited by examiner

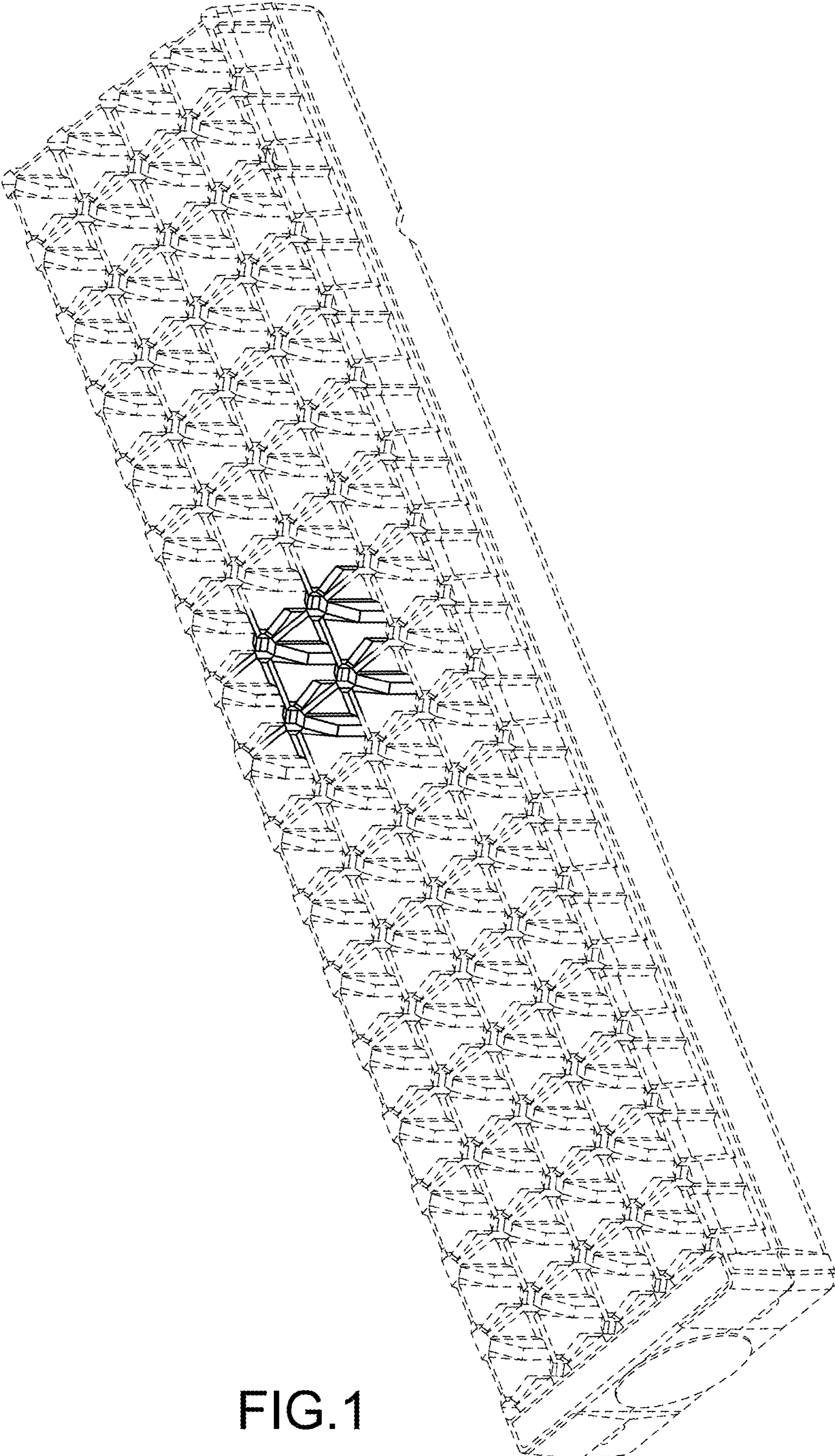


FIG.1

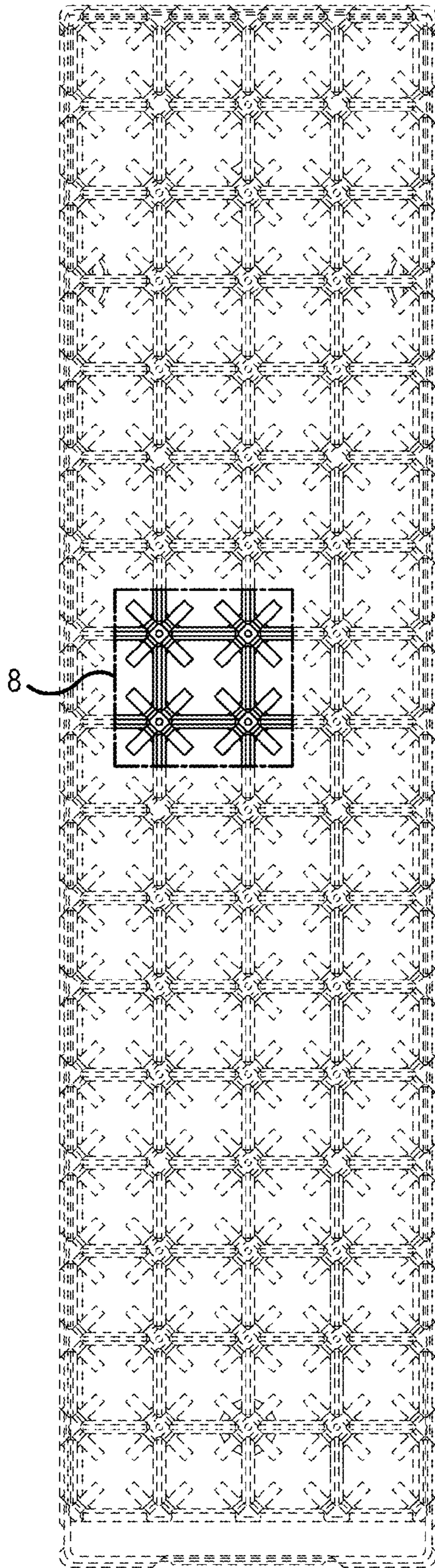


FIG.2

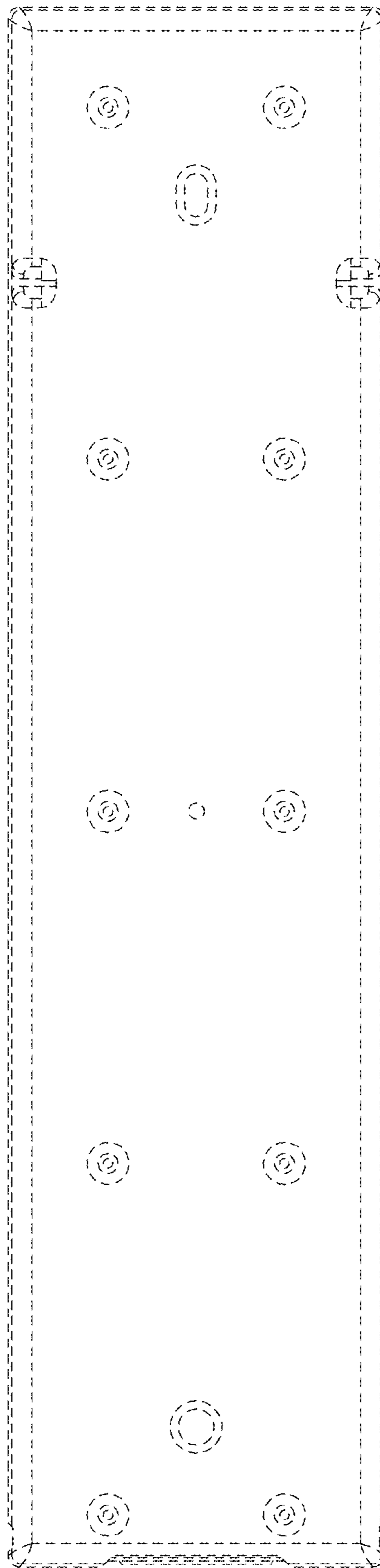


FIG. 3

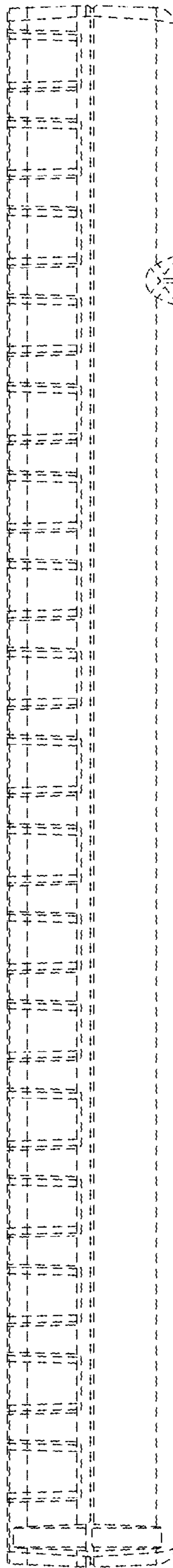


FIG.4

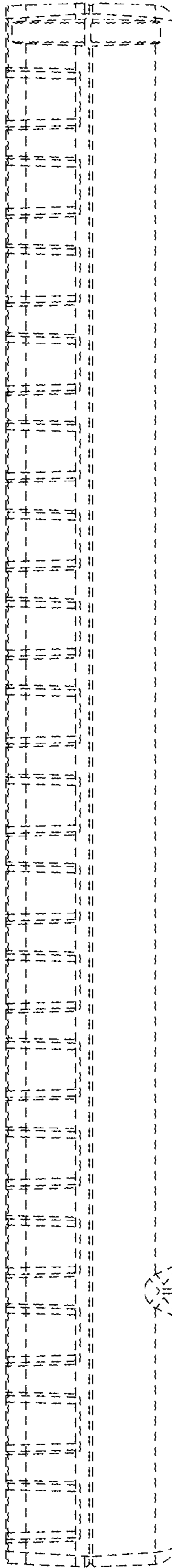


FIG.5

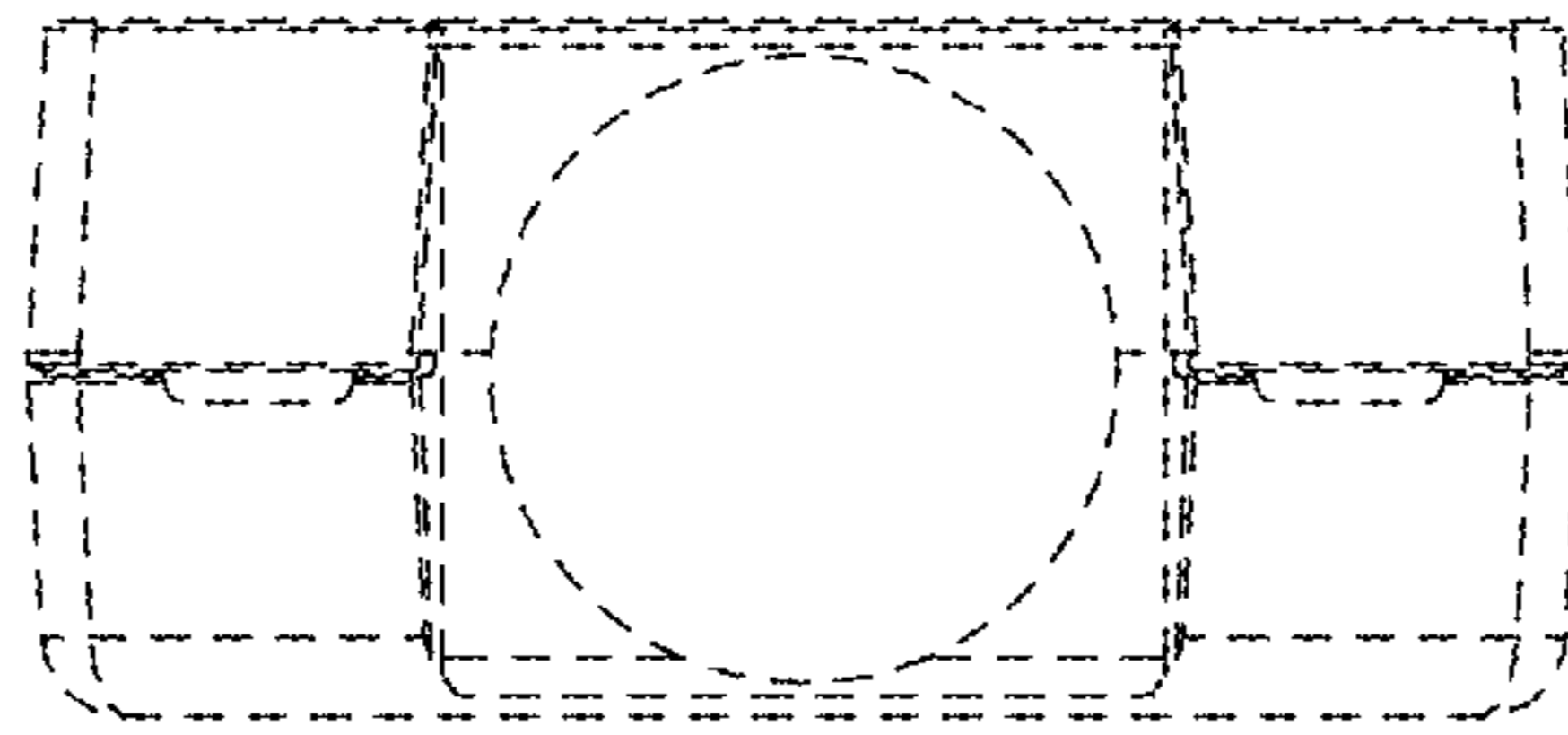


FIG.6

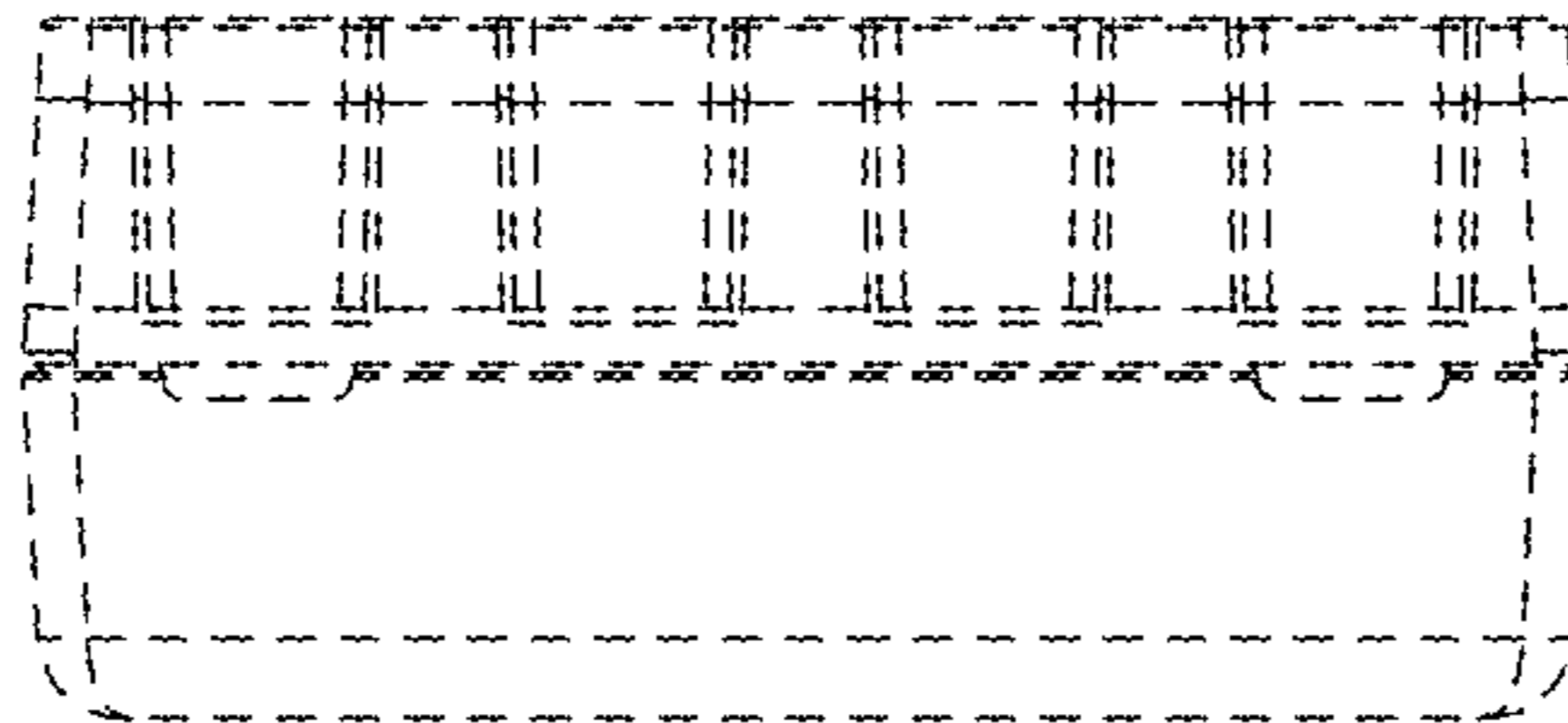


FIG.7

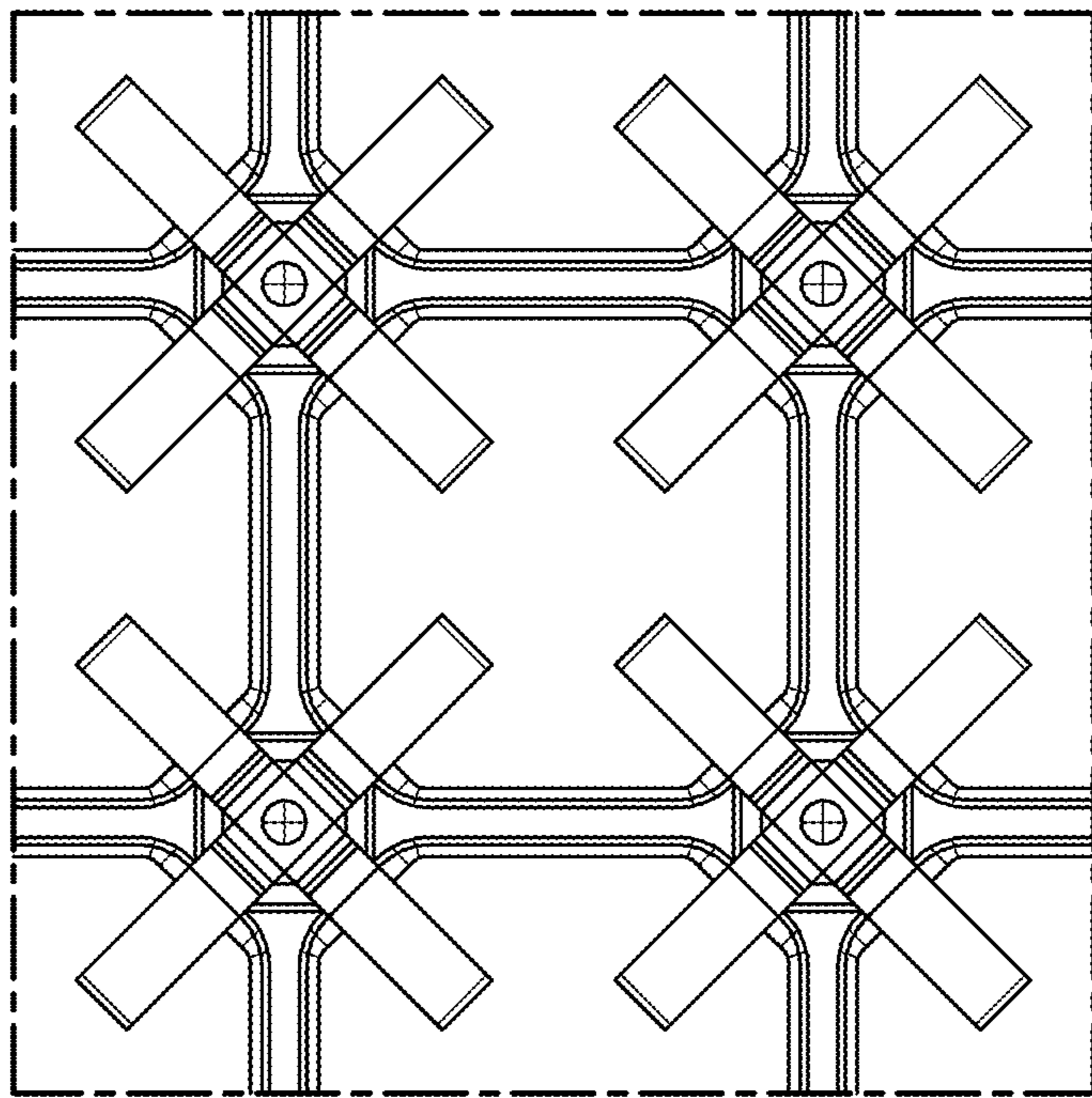


FIG.8

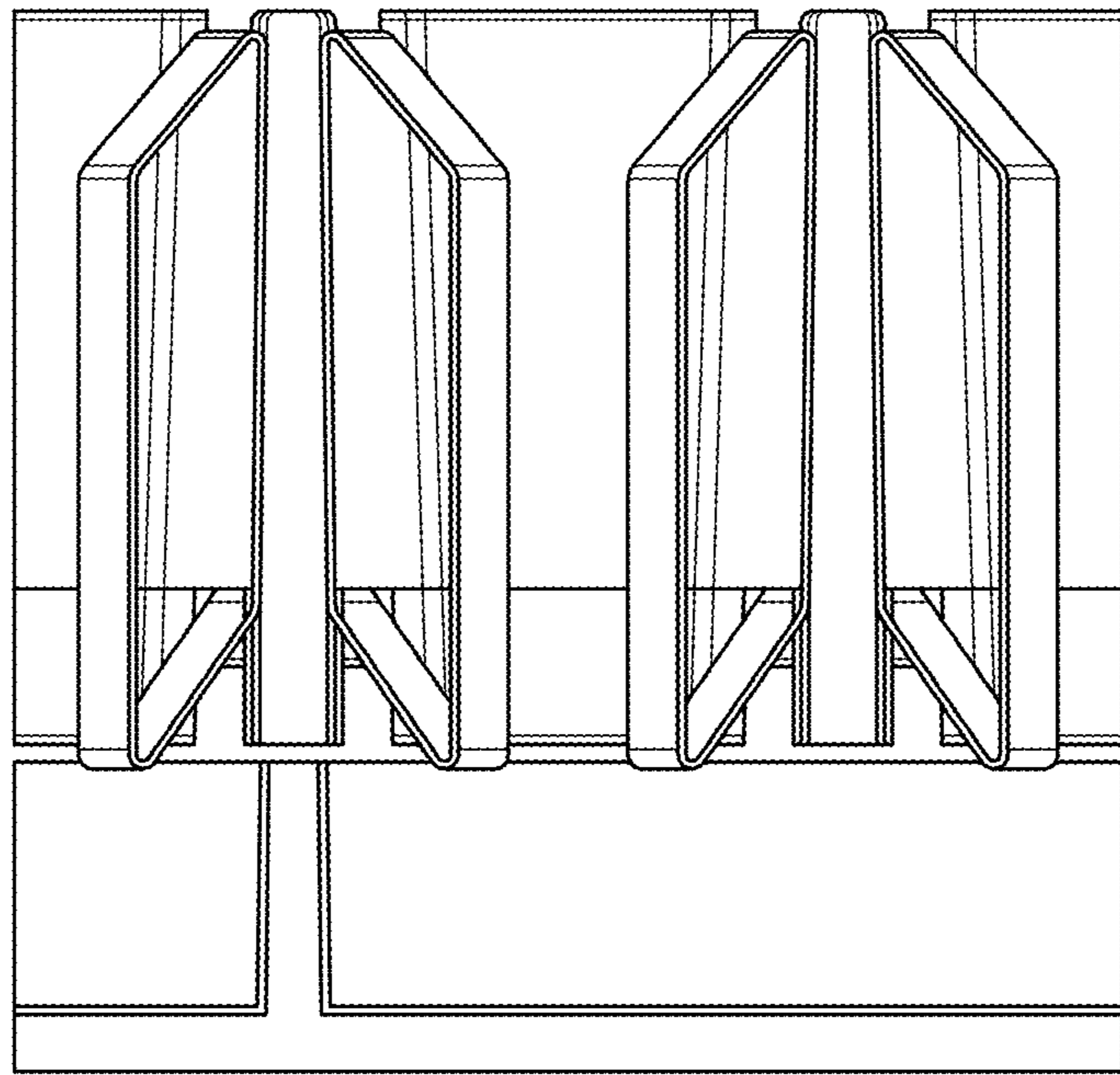


FIG.9

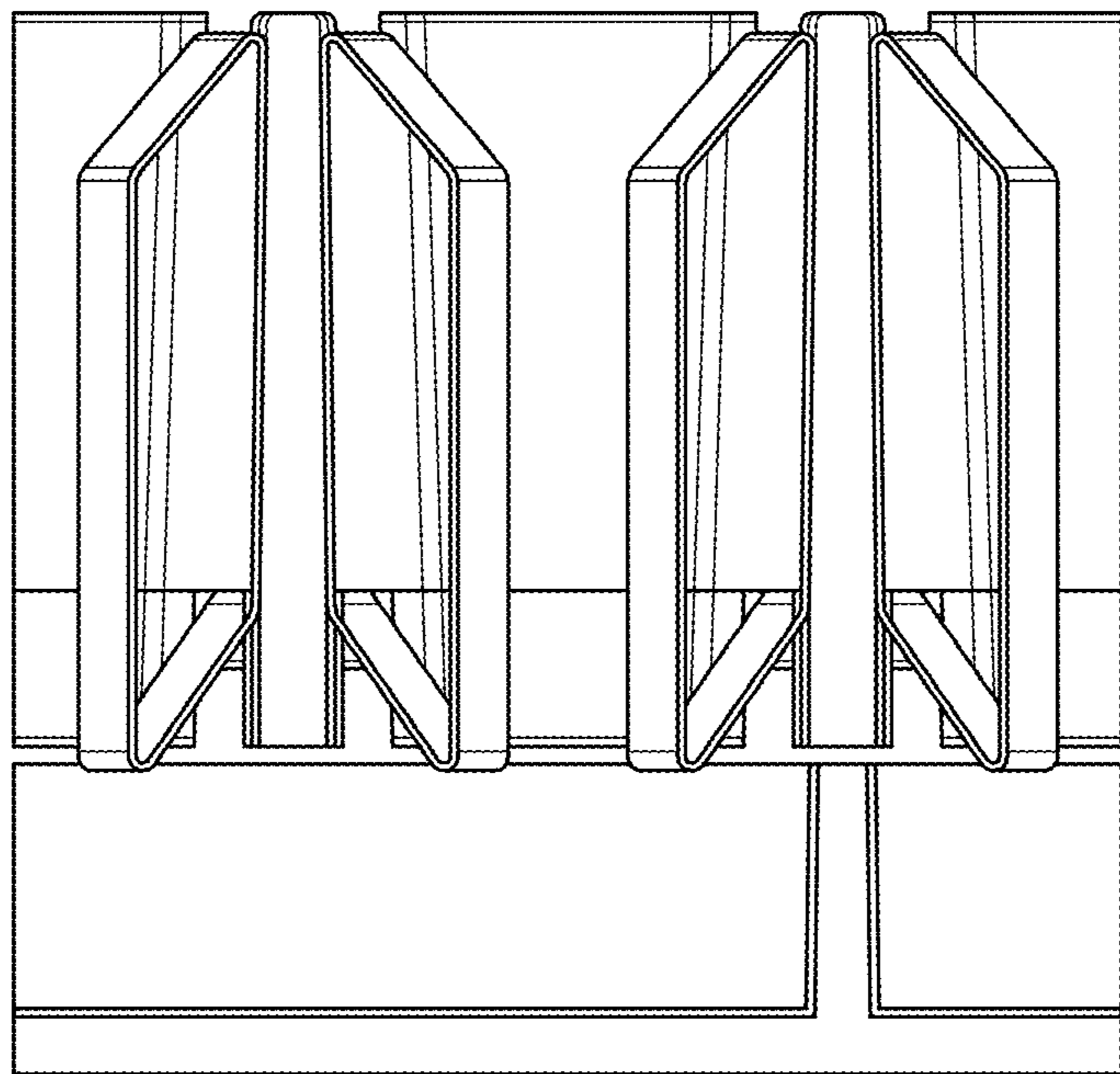


FIG.10

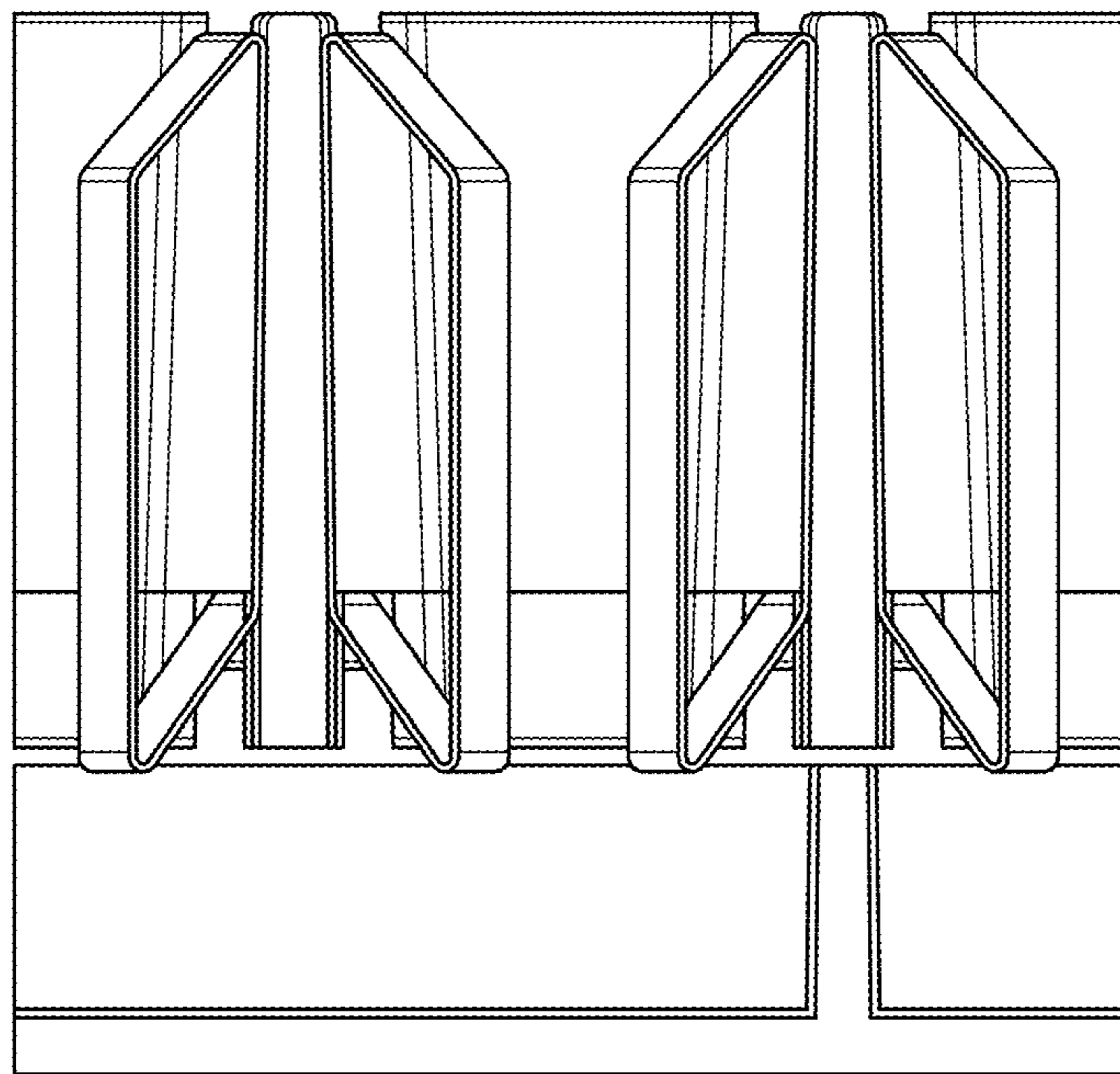


FIG.11

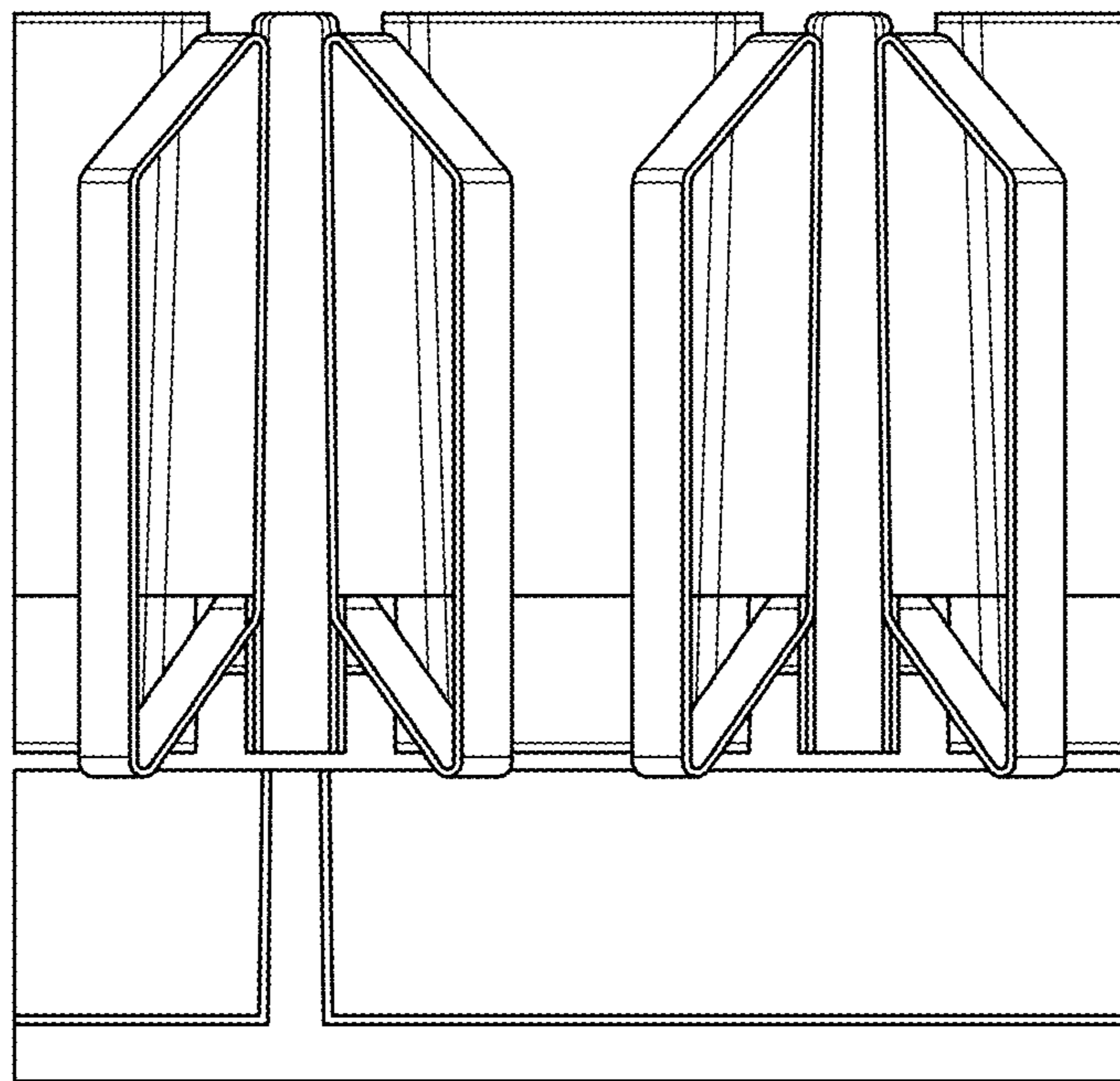


FIG.12

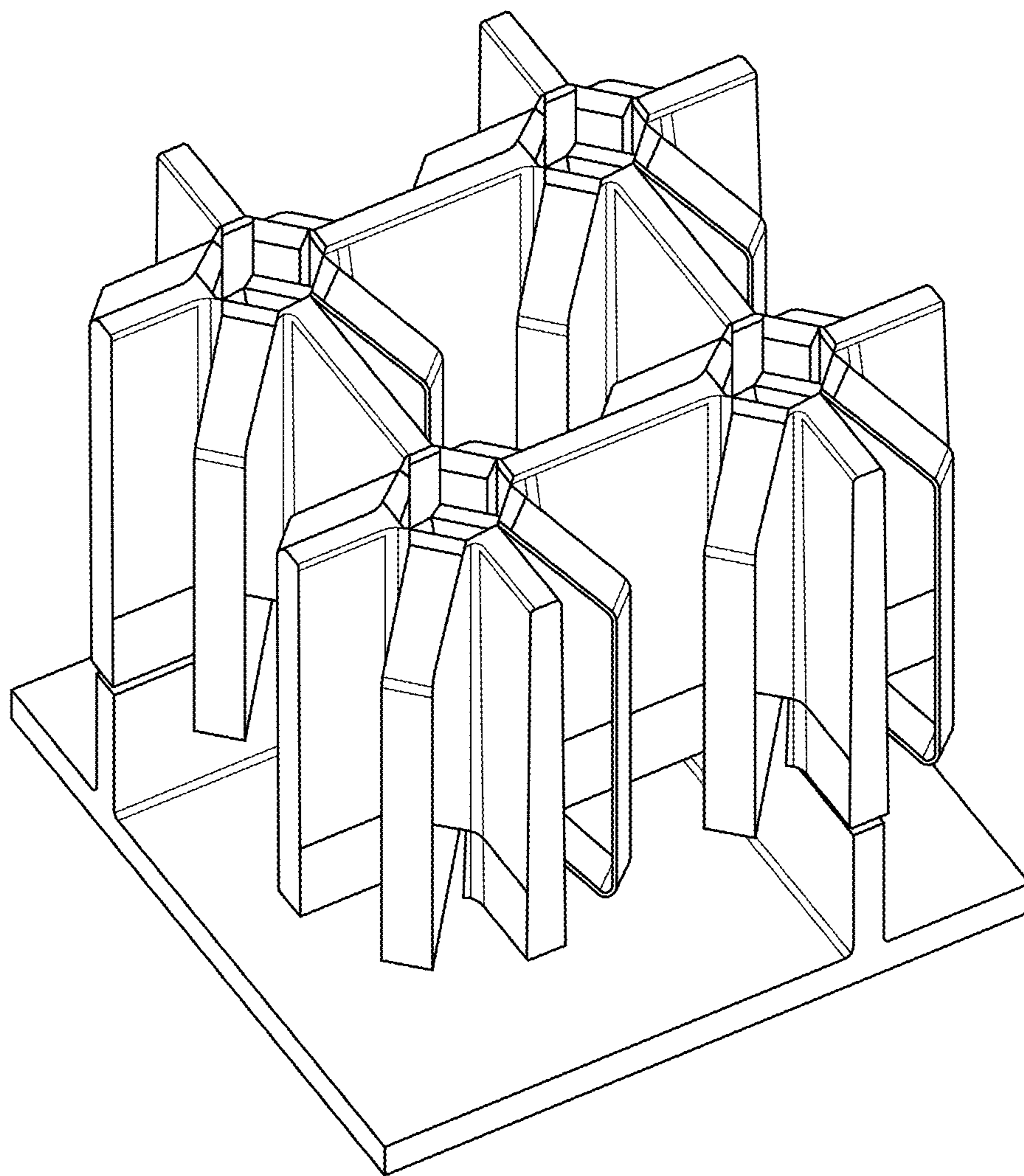


FIG.13

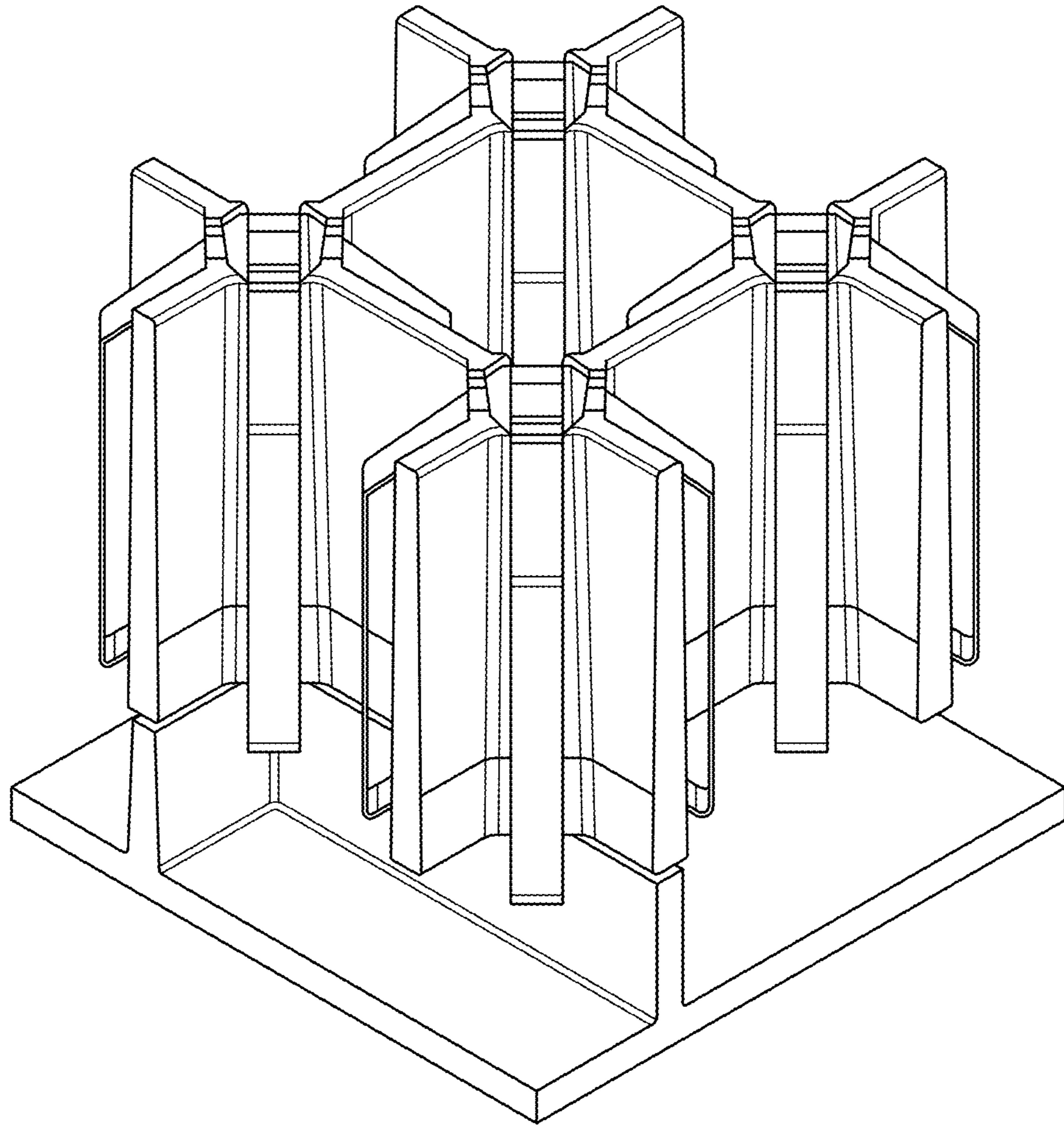


FIG.14

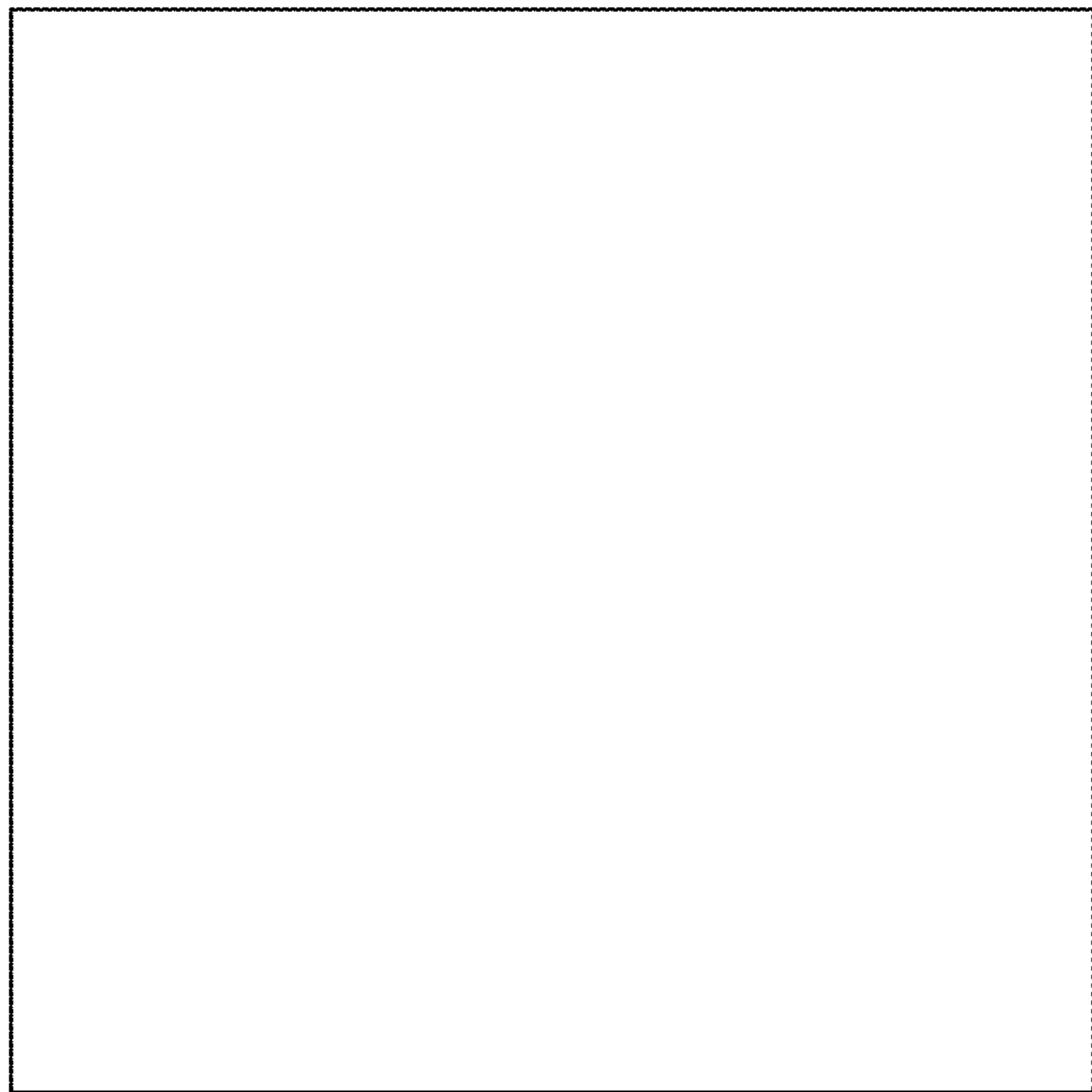


FIG. 15