



US00D893746S

(12) **United States Design Patent**  
**Ohmura et al.**

(10) **Patent No.:** **US D893,746 S**  
(45) **Date of Patent:** **\*\* Aug. 18, 2020**

(54) **SAMPLE HOLDER FOR IONIZED SAMPLE ANALYSIS**

(71) Applicant: **HAMAMATSU PHOTONICS K.K.**,  
Hamamatsu-shi, Shizuoka (JP)

(72) Inventors: **Takayuki Ohmura**, Hamamatsu (JP);  
**Masahiro Kotani**, Hamamatsu (JP)

(73) Assignee: **HAMAMATSU PHOTONICS K.K.**,  
Hamamatsu-shi, Shizuoka (JP)

(\*\*) Term: **15 Years**

(21) Appl. No.: **29/657,010**

(22) Filed: **Jul. 18, 2018**

(30) **Foreign Application Priority Data**

Jan. 19, 2018 (JP) ..... 2018-000942

(51) **LOC (12) Cl.** ..... **24-02**

(52) **U.S. Cl.**  
USPC ..... **D24/226; D24/225**

(58) **Field of Classification Search**  
USPC ..... D24/216, 223–227, 229–232; D9/537,  
D9/545, 549, 756–760, 761; D3/203.1,  
D3/203.2; D10/81; D28/8  
(Continued)

(56) **References Cited**

**U.S. PATENT DOCUMENTS**

D218,819 S 9/1970 Rubin et al.  
D227,744 S 7/1973 Mitchko  
(Continued)

**FOREIGN PATENT DOCUMENTS**

CN 201630335565 \* 7/2016

**OTHER PUBLICATIONS**

Office Action dated Dec. 9, 2019 in U.S. Appl. No. 29/657,001.

(Continued)

*Primary Examiner* — Susan Bennett Hattan

*Assistant Examiner* — Omeed Agilee

(74) *Attorney, Agent, or Firm* — Faegre Drinker Biddle & Reath LLP

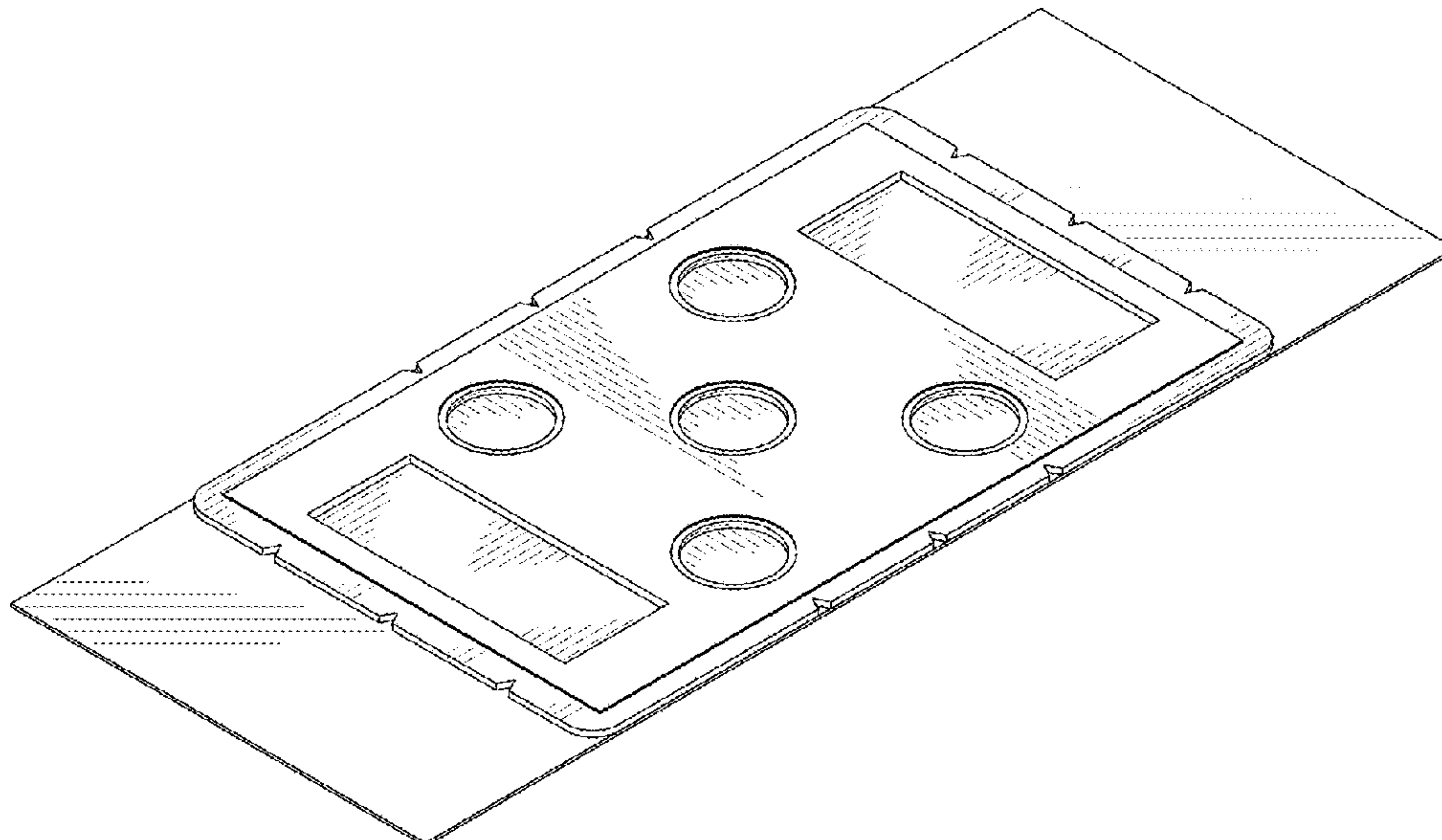
(57) **CLAIM**

The ornamental design for a sample holder for ionized sample analysis, as shown and described.

**DESCRIPTION**

FIG. 1 is a front view of a sample holder for ionized sample analysis of the present invention;  
FIG. 2 is a rear view thereof;  
FIG. 3 is a top plan view thereof;  
FIG. 4 is a bottom plan view thereof;  
FIG. 5 is a right side view thereof;  
FIG. 6 is a left side view thereof;  
FIG. 7 is a front perspective view thereof;  
FIG. 8 is a rear perspective view thereof;  
FIG. 9 is an enlarged cross-sectional view along the line 9-9 in FIG. 1, in the area designated by 9'-9' in FIG. 1;  
FIG. 10 is an enlarged cross-sectional view along the line 10-10 in FIG. 1, in the area designated by 10'-10' in FIG. 1;  
FIG. 11 is an enlarged cross-sectional view along the line 11-11 in FIG. 1, in the area designated by 11'-11' in FIG. 1;  
FIG. 12 is an enlarged cross-sectional view along the line 12-12 in FIG. 1, in the area designated by 12'-12' in FIG. 1;  
and,  
FIG. 13 is an enlarged cross-sectional view along the line 13-13 in FIG. 1, in the area designated by 13'-13' in FIG. 1.  
The dash-dot-dash broken lines depict indicators for sectional views and enlarged views and depict boundaries in the enlarged sectional views and enlarged views, the dash-dot-dash broken lines form no part of the claimed design.

**1 Claim, 13 Drawing Sheets**



- (58) **Field of Classification Search**  
 CPC ... C12M 23/10; C12M 23/12; G01N 23/0033;  
 G01N 23/0041; G01N 23/20025  
 See application file for complete search history.

(56) **References Cited**

U.S. PATENT DOCUMENTS

D239,548 S \* 4/1976 Schiff ..... D24/225  
 4,441,793 A \* 4/1984 Elkins ..... G02B 21/34  
 356/244  
 D273,898 S 5/1984 Valencia  
 D274,261 S \* 6/1984 Valencia ..... D24/225  
 D277,699 S 2/1985 Valencia  
 D290,042 S \* 5/1987 Ford ..... D24/225  
 5,349,436 A 9/1994 Fisch  
 D351,475 S 10/1994 Gerber  
 5,425,451 A 6/1995 Blase  
 D376,685 S 12/1996 Weller et al.  
 D397,831 S 9/1998 Stoecker  
 D418,228 S \* 12/1999 Fisch ..... D24/225  
 D420,745 S 2/2000 Cardy  
 D431,300 S \* 9/2000 Fisch ..... D24/225  
 D431,301 S \* 9/2000 Fisch ..... D24/225  
 D473,318 S 4/2003 Barbera-Guillenn  
 D491,276 S 6/2004 Langille  
 D500,142 S 12/2004 Crisanti et al.  
 D503,274 S 3/2005 Roche et al.  
 D510,883 S 10/2005 George  
 D530,826 S 10/2006 Rich et al.  
 D540,953 S 4/2007 Ramel et al.  
 7,217,520 B2 5/2007 Tsinberg et al.  
 D569,990 S 5/2008 Fisch  
 7,409,698 B2 8/2008 Tjensvold et al.  
 D596,753 S 7/2009 LaStella  
 D596,758 S 7/2009 Constable  
 D672,050 S 12/2012 Lee et al.  
 D673,295 S 12/2012 Motadel  
 D680,227 S 4/2013 Berg  
 D699,369 S 2/2014 Fonseca  
 D702,364 S \* 4/2014 Iqbal ..... D24/225  
 D722,385 S 2/2015 Fonseca  
 9,034,634 B2 5/2015 Miller  
 D733,313 S \* 6/2015 Kouge ..... D24/225  
 D733,912 S \* 7/2015 Ito ..... D24/225  
 D734,482 S 7/2015 Peterman et al.  
 D736,403 S \* 8/2015 Hudson ..... D24/226  
 D758,608 S \* 6/2016 Behar ..... D24/223  
 D786,448 S 5/2017 Ohsaka et al.  
 D787,356 S 5/2017 Johnston  
 D792,735 S 7/2017 Henry  
 D800,184 S 10/2017 Suess et al.  
 D800,336 S 10/2017 Chang et al.  
 D806,890 S 1/2018 Williams et al.  
 D806,892 S \* 1/2018 Walden, II ..... D24/225

D812,767 S 3/2018 Osmus et al.  
 D825,076 S 8/2018 Librach et al.  
 D827,857 S \* 9/2018 Buschtez ..... D24/225  
 D838,001 S \* 1/2019 Ito ..... D24/225  
 D840,049 S 2/2019 Schulz et al.  
 D841,183 S \* 2/2019 Walden, II ..... D24/224  
 D843,013 S 3/2019 Ito et al.  
 D854,184 S 7/2019 Ito et al.  
 D855,203 S \* 7/2019 Katsumata ..... D24/224  
 D855,206 S 7/2019 Ito et al.  
 D855,207 S 7/2019 Ito et al.  
 D855,208 S 7/2019 Ito et al.  
 D855,209 S 7/2019 Ito et al.  
 D855,210 S 7/2019 Ito et al.  
 D867,612 S 11/2019 Ohmura et al.  
 D867,613 S 11/2019 Ohmura et al.  
 2005/0237607 A1 10/2005 Tenney  
 2008/0056948 A1 3/2008 Dale et al.  
 2009/0253582 A1 10/2009 Pena et al.  
 2012/0045792 A1 2/2012 Cohen et al.  
 2012/0142026 A1 \* 6/2012 Miller ..... G01N 27/49  
 435/7.9  
 2015/0330776 A1 11/2015 Hayashi et al.  
 2016/0175840 A1 6/2016 Ingber et al.

OTHER PUBLICATIONS

Office Action dated Dec. 10, 2019 in U.S. Appl. No. 29/656,985.  
 Makeup palette. Online, published date unknown. Retrieved on  
 Dec. 5, 2019 from URL: <https://www.wallpaperflare.com/search?wallpaper=makeup+palette>.  
 Office Action dated Oct. 4, 2019 in Design U.S. Appl. No. 29/656,971.  
 Office Action dated Oct. 4, 2019 in Design U.S. Appl. No. 29/656,978.  
 Office Action dated Oct. 15, 2019 in Design U.S. Appl. No.  
 29/656,965.  
 Office Action dated Nov. 15, 2019 in Design U.S. Appl. No.  
 29/656,974.  
 Makeup Tool Kit 33 in 1 Make up Cosmetics Including Eyeshadow  
 Blush Powder Lip gloss With Makeup Box Makeup Set for Gift.  
 Online, published date unknown. Retrieved on Oct. 10, 2019 from  
 URL: <https://kozeez.com/products/makup-tool-kit-33-in-1-make-up-cosmetics-including-eyeshadow-blush-powder-lip-gloss-with-makeup-box>.  
 "Custom 6 Color Highlighter Makeup Packaging Eyeshadow Pal-  
 ette Container With Mirror," Nov. 10, 2019.  
 Office Action dated Oct. 3, 2019 in Design U.S. Appl. No. 29/656,960.  
 Office Action dated Nov. 15, 2019 in Design U.S. Appl. No.  
 29/656,973.  
 Office Action dated Nov. 21, 2019 in Design U.S. Appl. No.  
 29/656,983.  
 Office Action dated Nov. 25, 2019 in Design U.S. Appl. No.  
 29/656,989.  
 Office Action dated Sep. 20, 2019 in U.S. Appl. No. 29/656,959.

\* cited by examiner



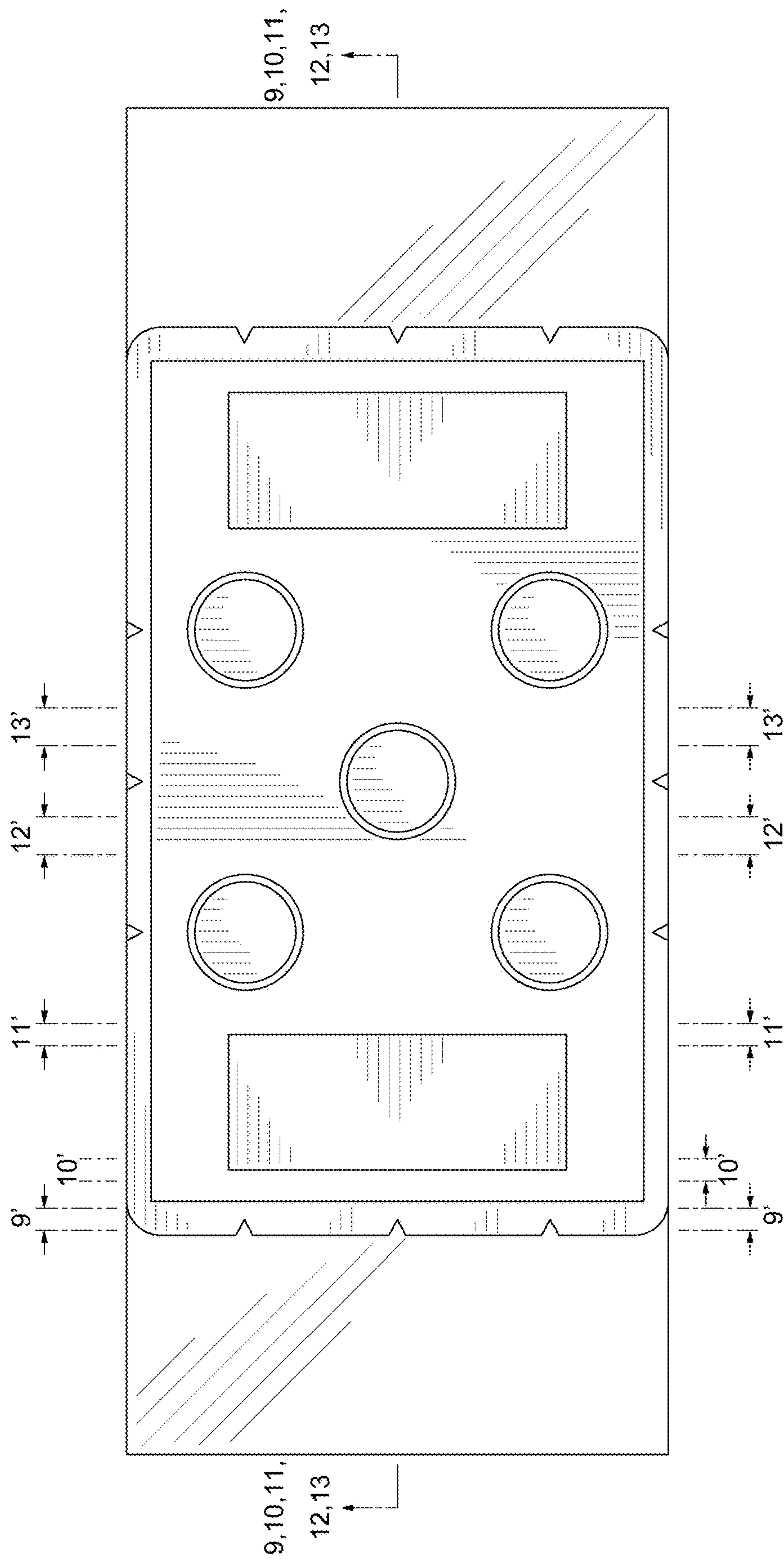


FIG. 1

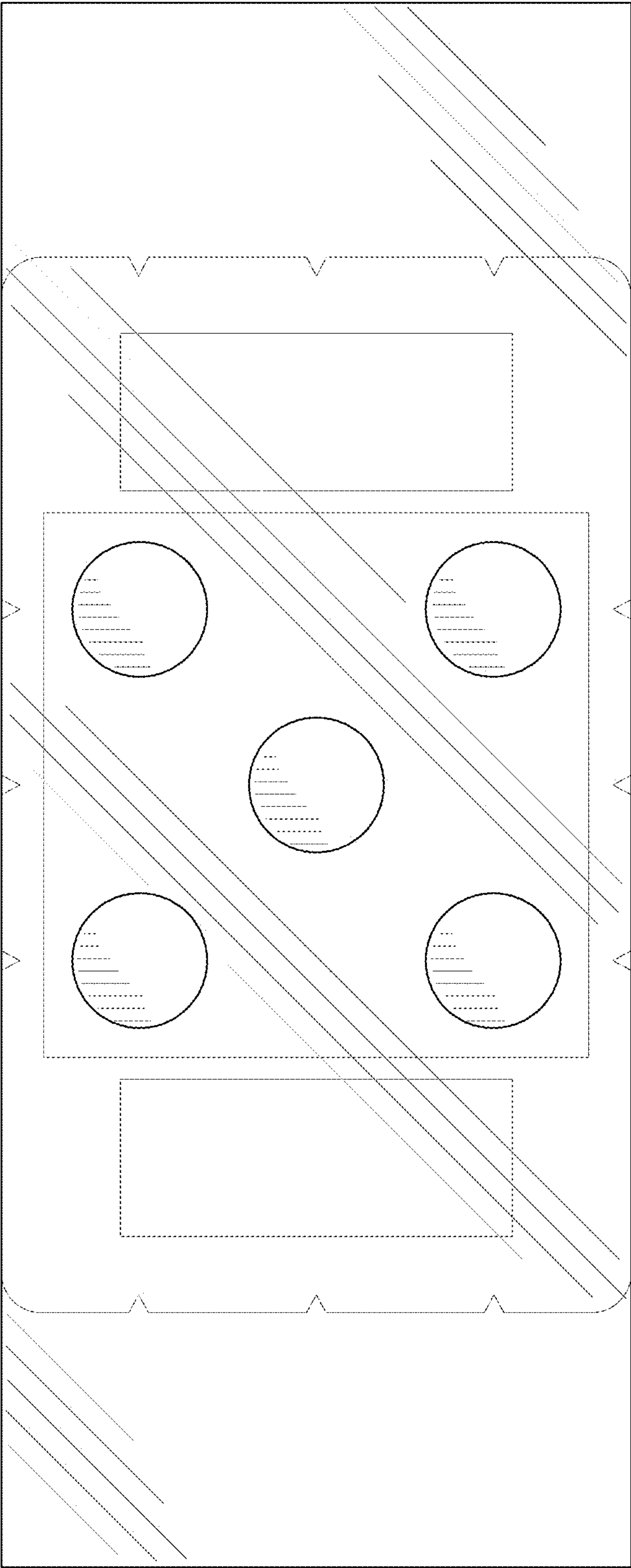


FIG. 2



FIG. 3



FIG. 4



FIG. 5



FIG. 6



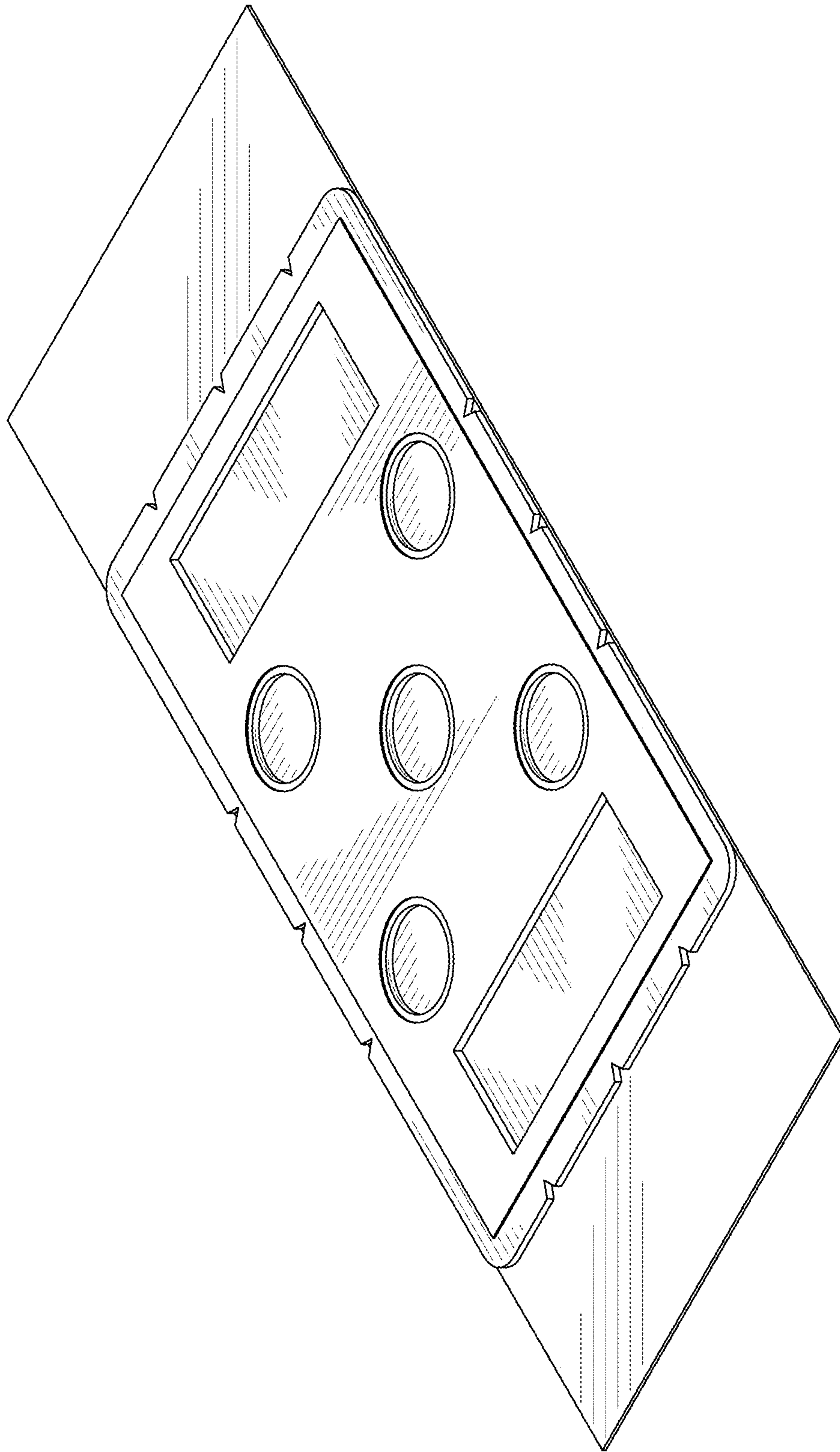


FIG. 7

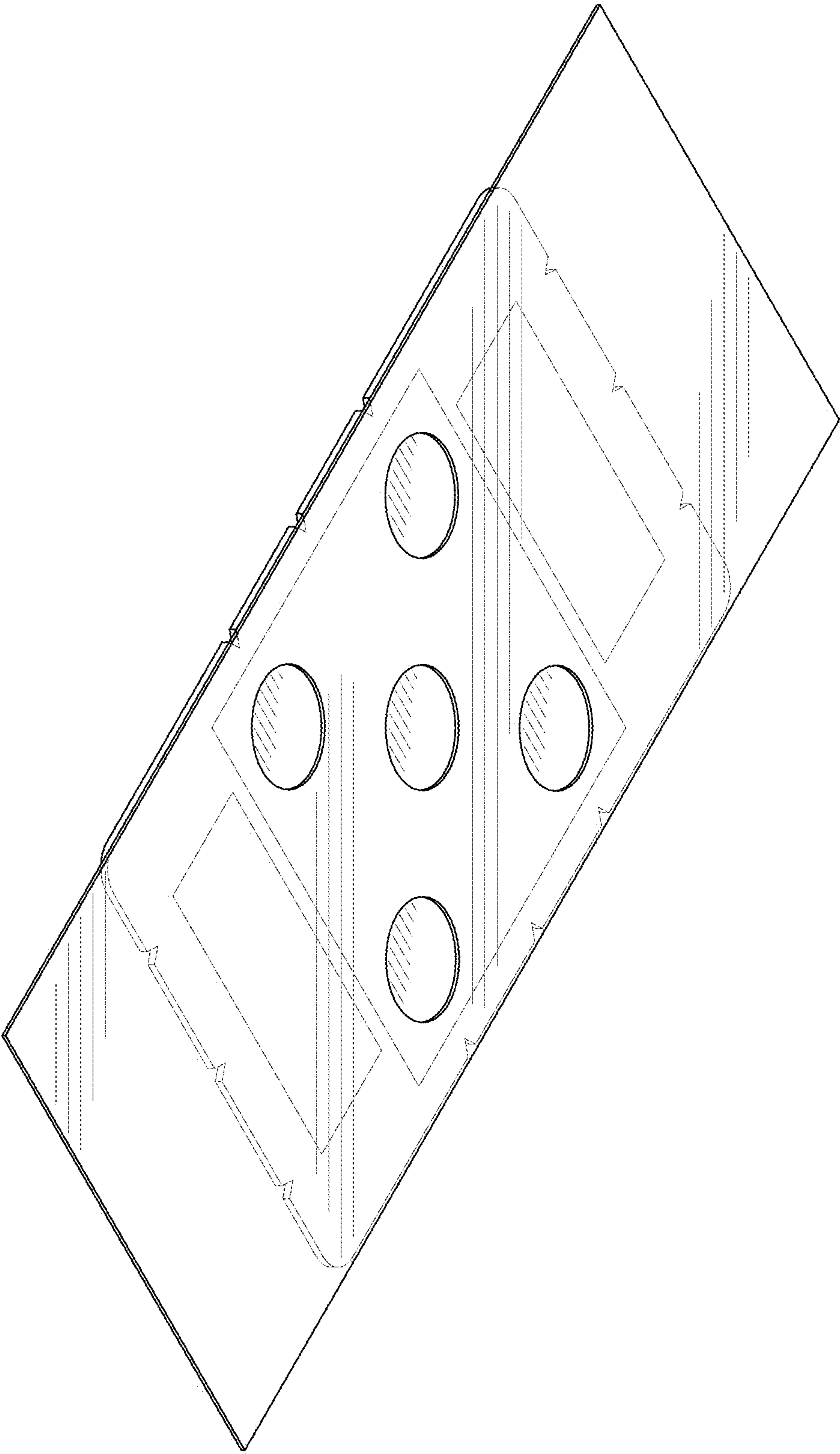


FIG. 8

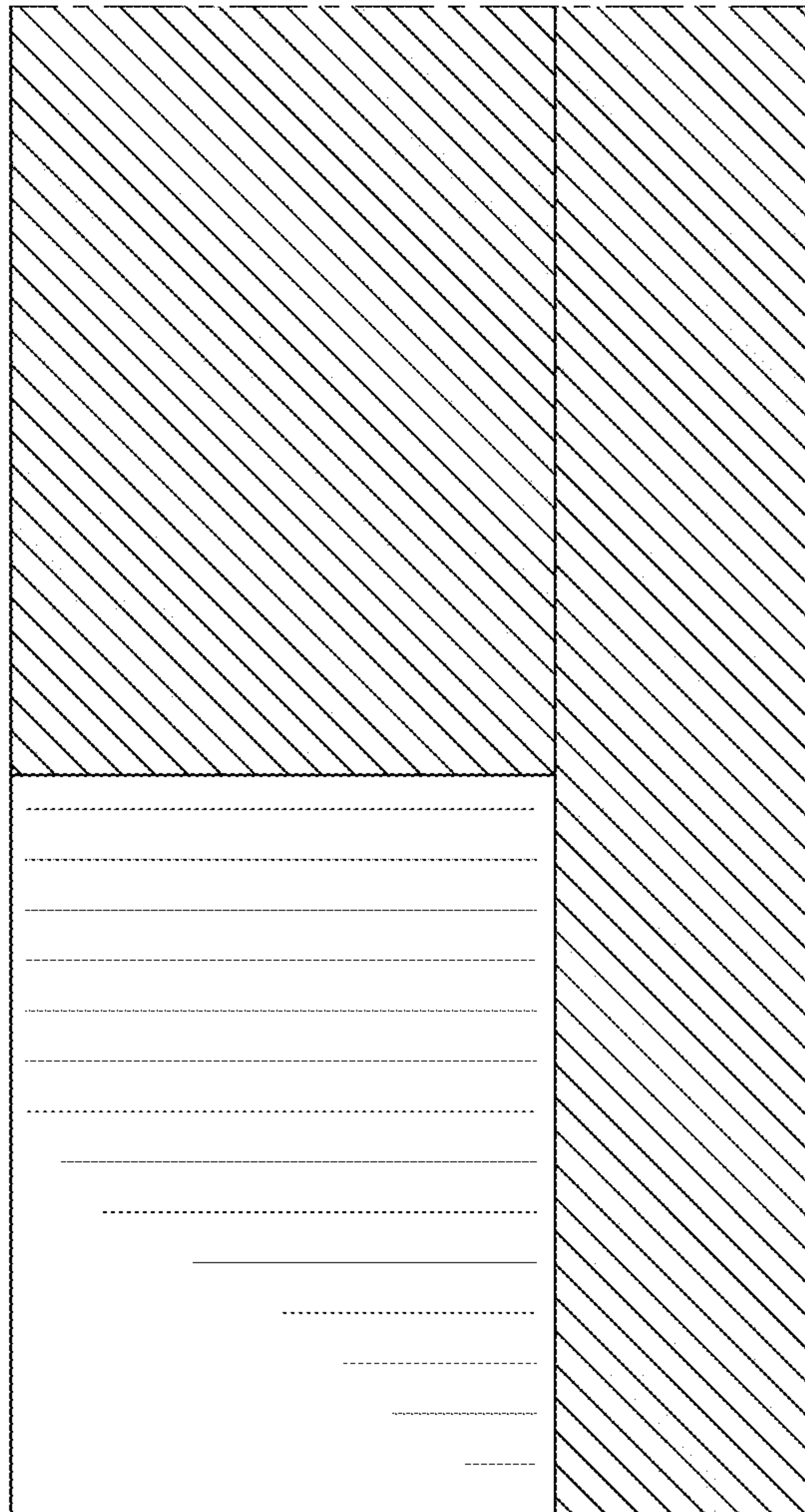


FIG. 9

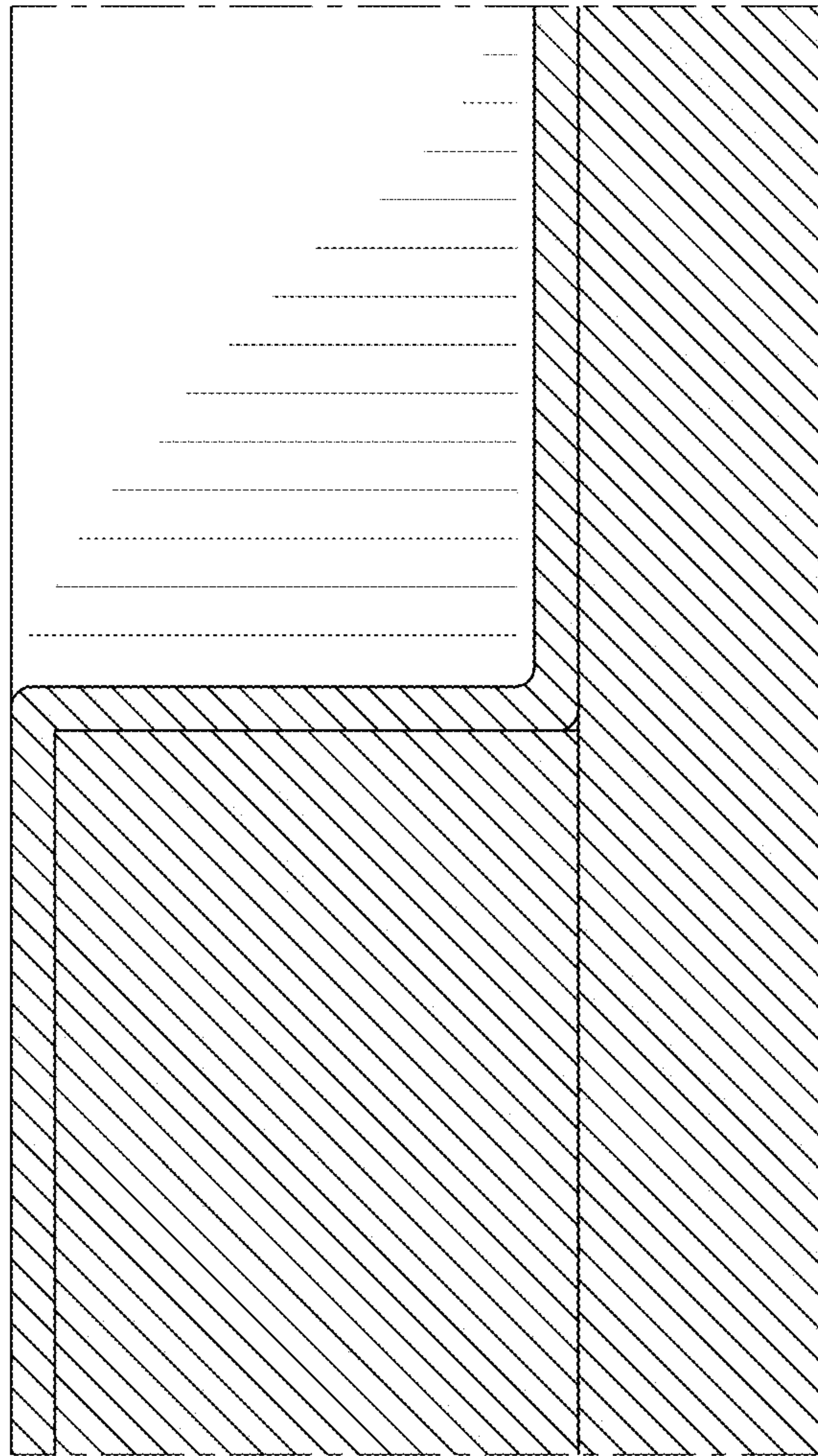


FIG. 10



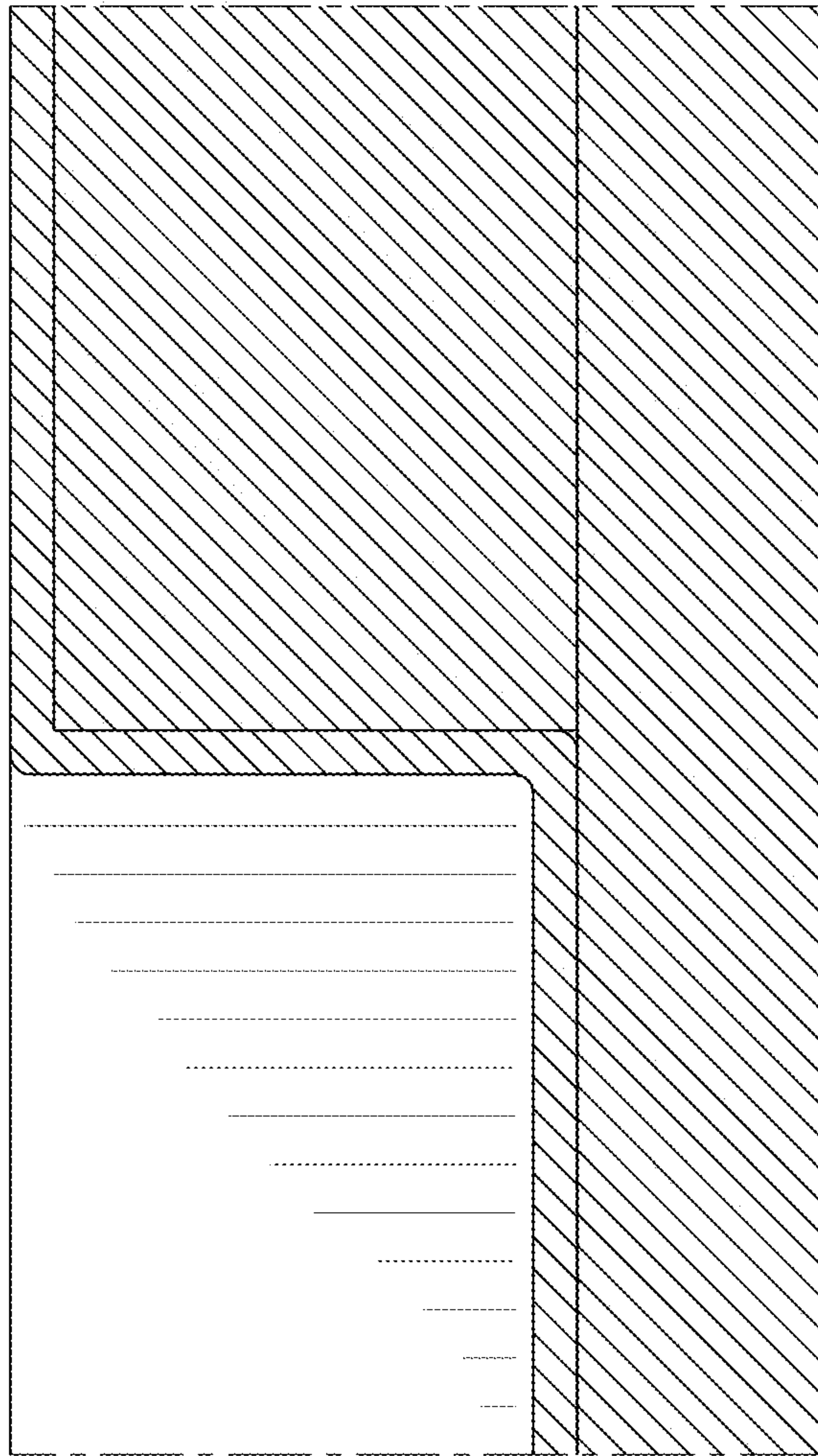


FIG. 11



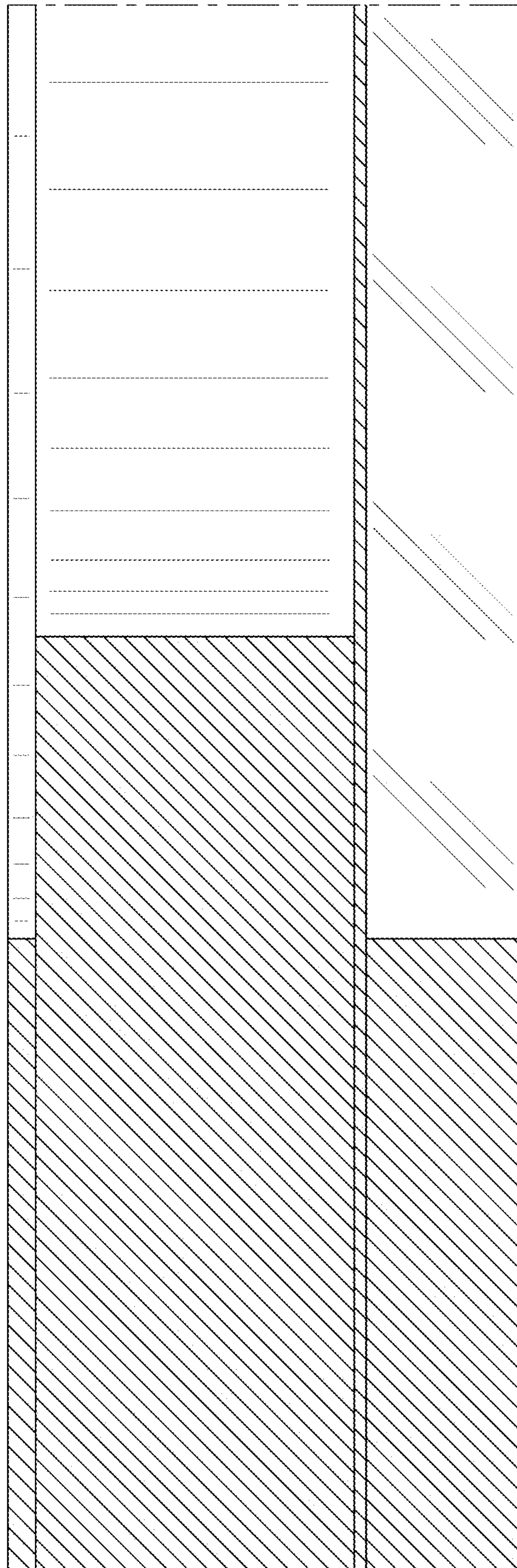


FIG. 12

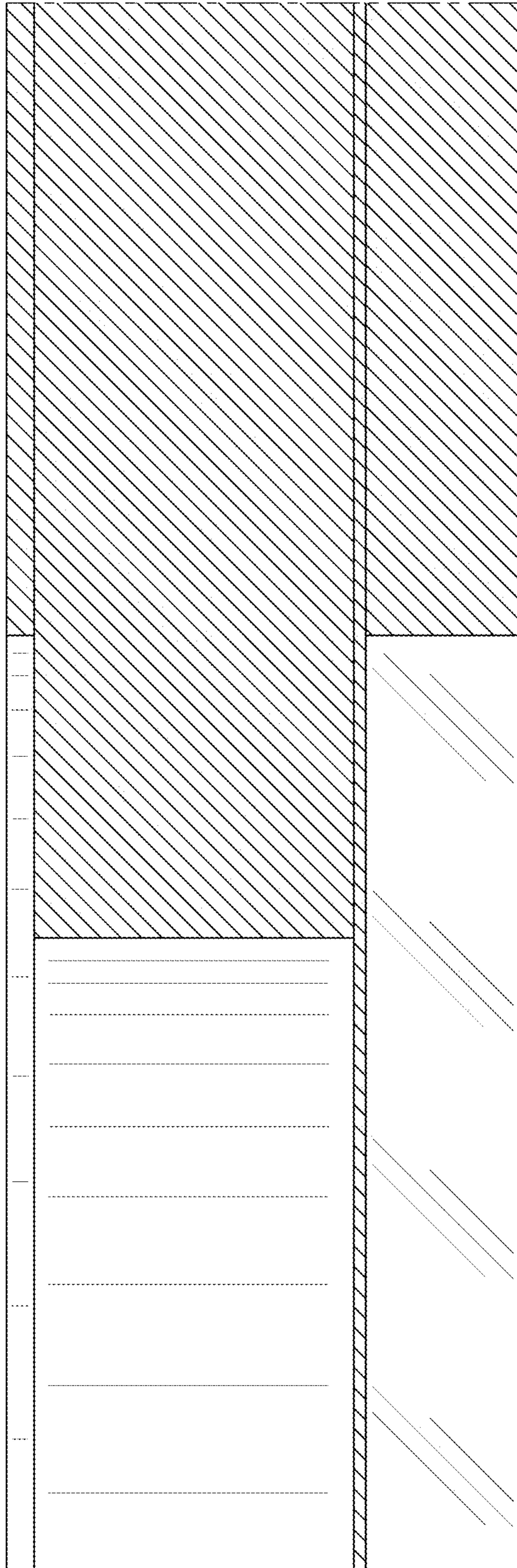


FIG. 13