



US00D893744S

(12) **United States Design Patent** (10) **Patent No.:** **US D893,744 S**  
**Johnsen et al.** (45) **Date of Patent:** **\*\* Aug. 18, 2020**

(54) **BIOLOGICAL SAMPLE CONTAINER**

(71) Applicant: **Ambu A/S**, Ballerup (DK)

(72) Inventors: **Lasse Markworth Johnsen**, Birkerød (DK); **Jonas Hjortlund**, Copenhagen S (DK)

(73) Assignee: **AMBU A/S**, Ballerup (DK)

(\*\*) Term: **15 Years**

(21) Appl. No.: **29/672,062**

(22) Filed: **Dec. 3, 2018**

(30) **Foreign Application Priority Data**

Jun. 7, 2018 (EM) ..... 005301231

(51) **LOC (12) Cl.** ..... **24-02**

(52) **U.S. Cl.**  
USPC ..... **D24/224**

(58) **Field of Classification Search**  
USPC ..... D24/107, 121-123, 216-217, 219, D24/223-227, 229-231, 232; D9/504, D9/516, 519, 529, 549, 574, 715, 719; D3/201, 203.1, 203.2

CPC ..... B29C 65/665; A61B 10/0045  
See application file for complete search history.

(56) **References Cited**

U.S. PATENT DOCUMENTS

- D558,357 S \* 12/2007 Byrd ..... D24/224
- D618,362 S \* 6/2010 Giraud ..... D24/224
- 7,850,922 B2 \* 12/2010 Gallagher ..... B01L 3/5029  
422/501
- 7,915,032 B2 \* 3/2011 Ostrowski ..... A61B 10/0045  
422/411
- D659,848 S \* 5/2012 TerMaat ..... D24/224
- D707,364 S \* 6/2014 Spencer ..... D24/224
- D732,684 S \* 6/2015 Ooi ..... D24/224
- D773,055 S \* 11/2016 Krauss ..... D10/81

- D808,809 S \* 1/2018 Krafft ..... D9/504
- D856,148 S \* 8/2019 Lucas, Jr. .... D9/523
- D860,472 S \* 9/2019 Blake ..... D24/224
- D870,312 S \* 12/2019 Aoki ..... D24/216
- D881,410 S \* 4/2020 Motadel ..... D24/224

FOREIGN PATENT DOCUMENTS

JP D2016-24225 \* 9/2017

OTHER PUBLICATIONS

Ambu® aScope BronchoSampler™. Online, published date Sep. 2018. Retrieved on Apr. 14, 2020 from URL: [http://carestreammedical.com/wp-content/uploads/IE\\_aScope\\_BronchoSampler\\_datasheet\\_493480100\\_V01\\_0918-1.pdf](http://carestreammedical.com/wp-content/uploads/IE_aScope_BronchoSampler_datasheet_493480100_V01_0918-1.pdf).\*

\* cited by examiner

*Primary Examiner* — Susan Bennett Hattan

*Assistant Examiner* — Omeed Agilee

(74) *Attorney, Agent, or Firm* — Faegre Drinker Biddle & Reath LLP

(57) **CLAIM**

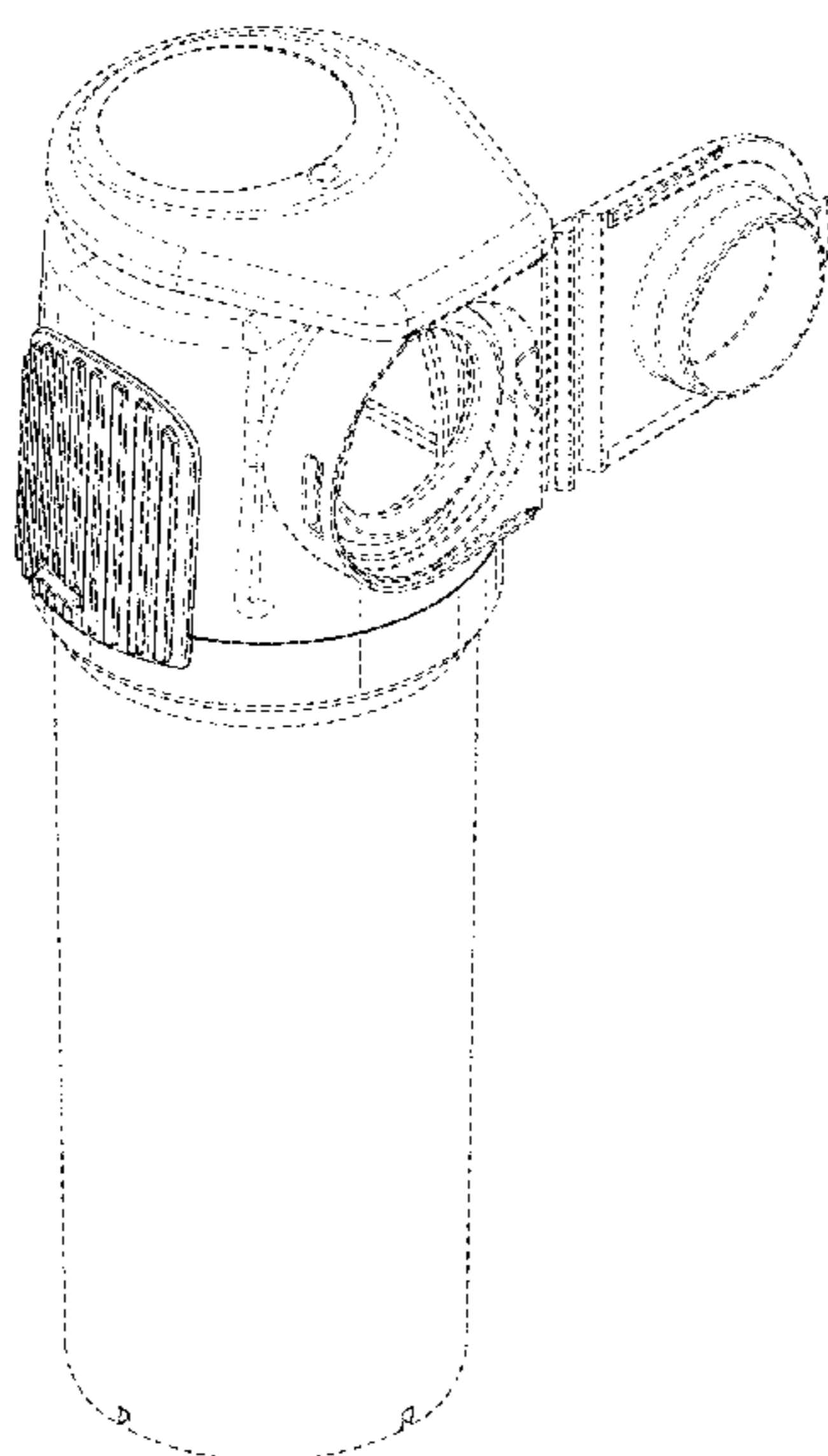
The ornamental design for a biological sample container, as shown and described.

**DESCRIPTION**

FIG. 1 is a front perspective view of a biological sample container showing our new design; FIG. 2 is a left side view thereof; FIG. 3 is a front view thereof; FIG. 4 is a rear view thereof; FIG. 5 is a right side view thereof; FIG. 6 is a top view thereof; and, FIG. 7 is a bottom view thereof.

The broken lines in the drawings depict portions of the biological sample container that form no part of the claimed design.

**1 Claim, 7 Drawing Sheets**



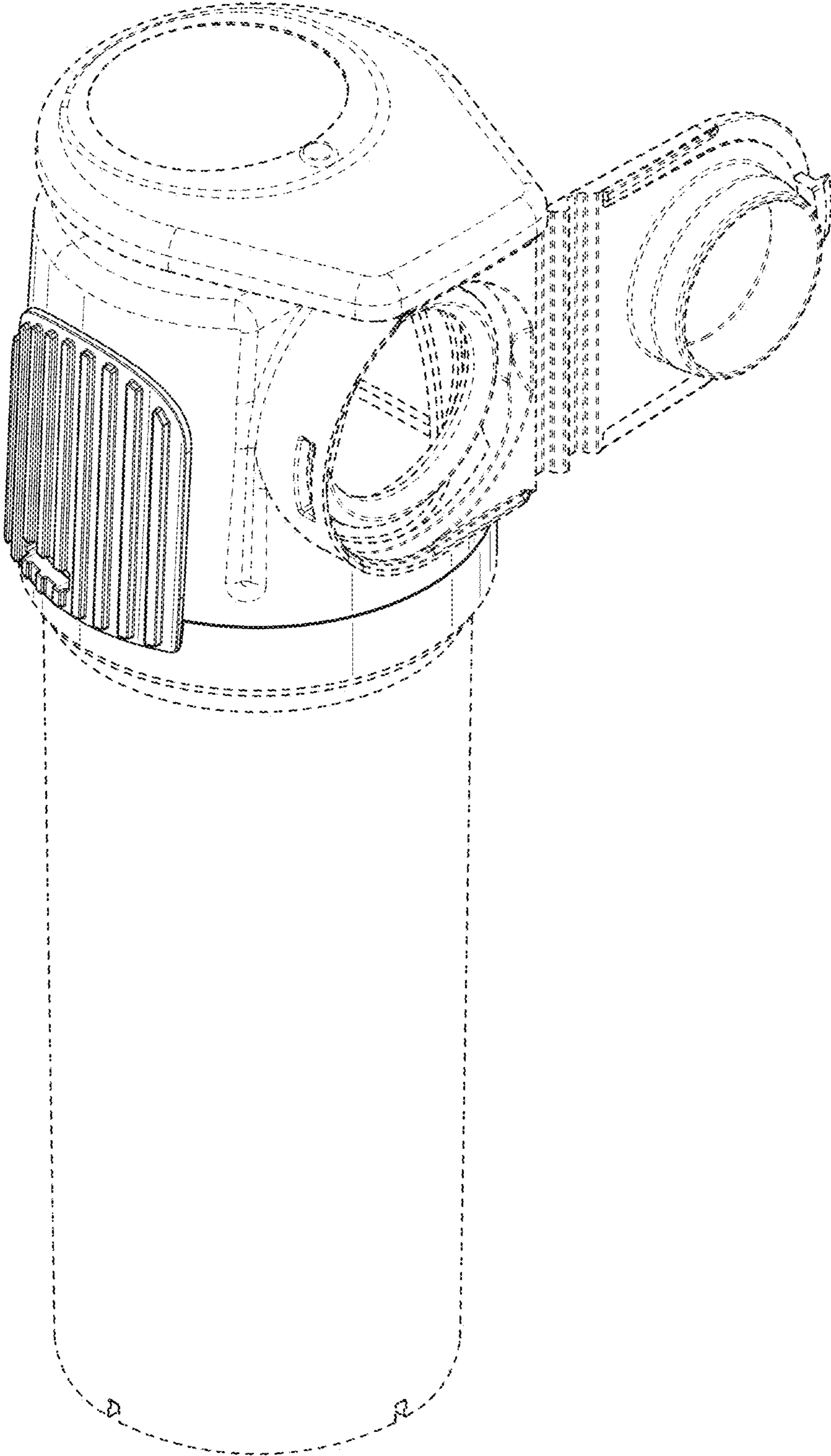


FIG. 1

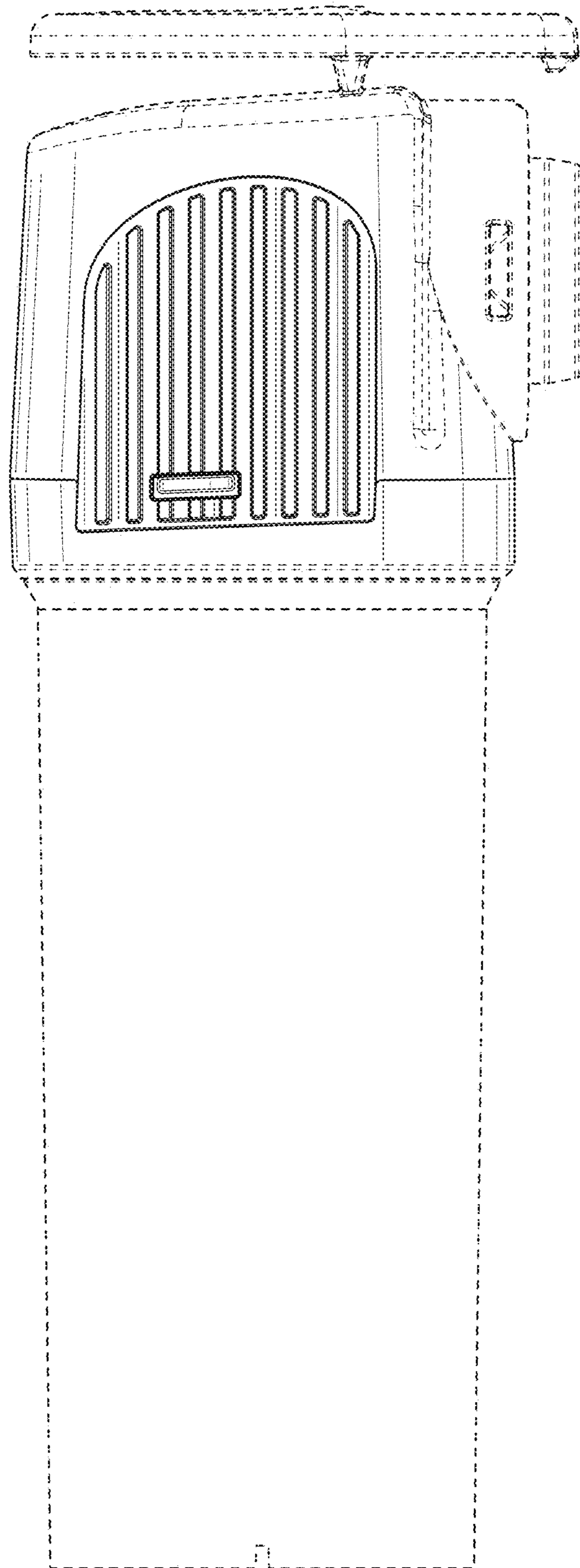


FIG. 2

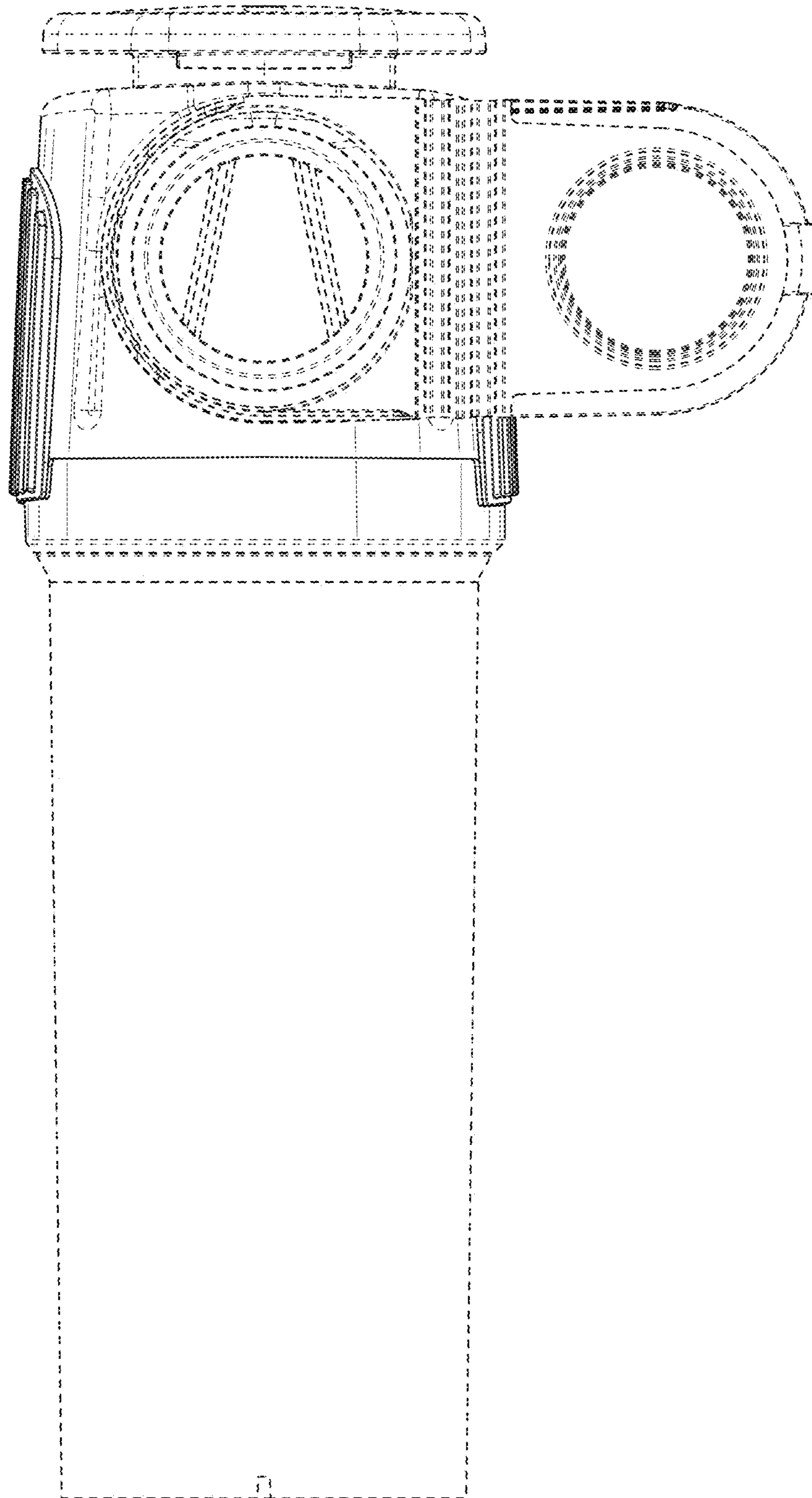


FIG. 3

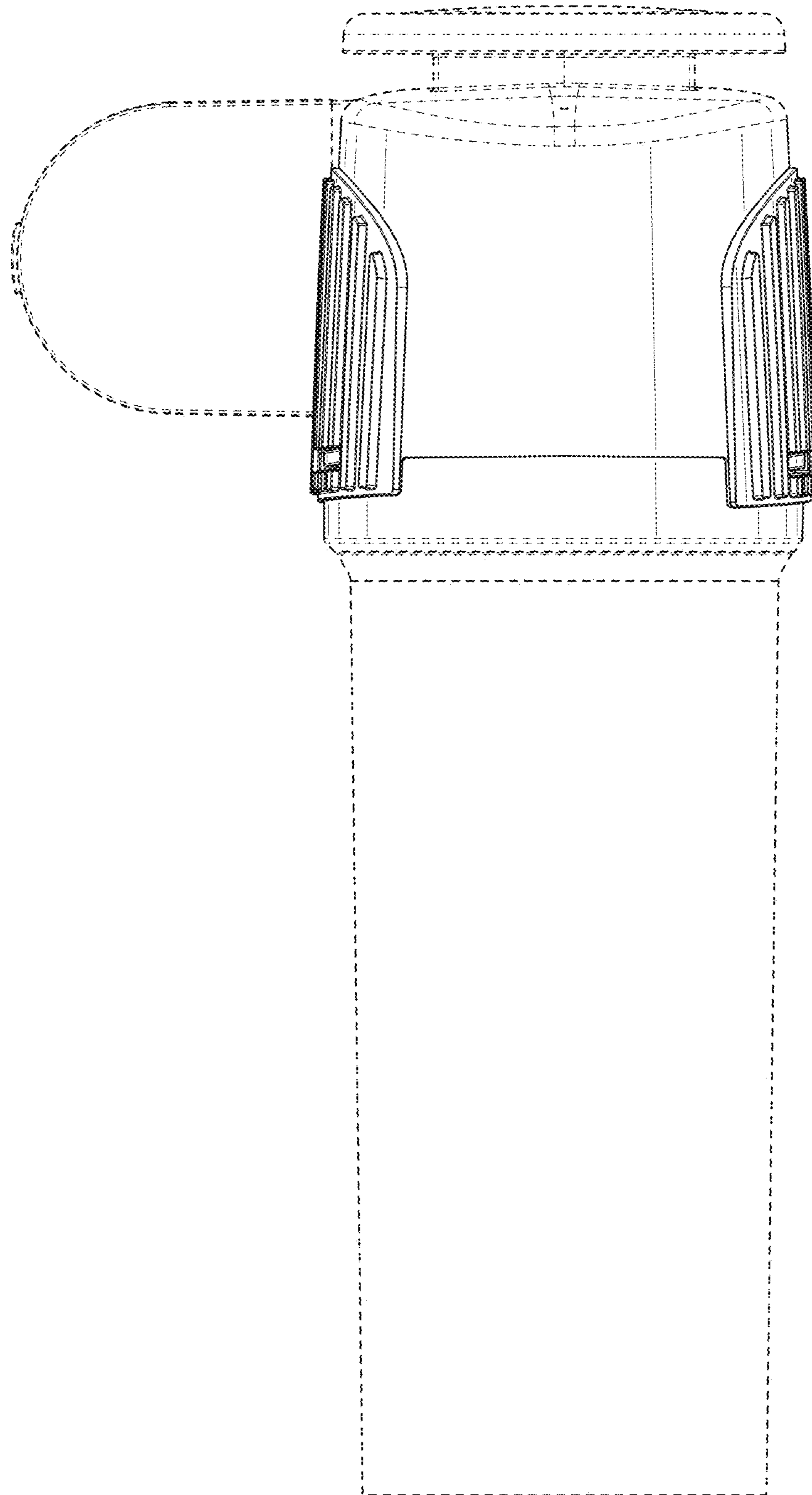


FIG. 4

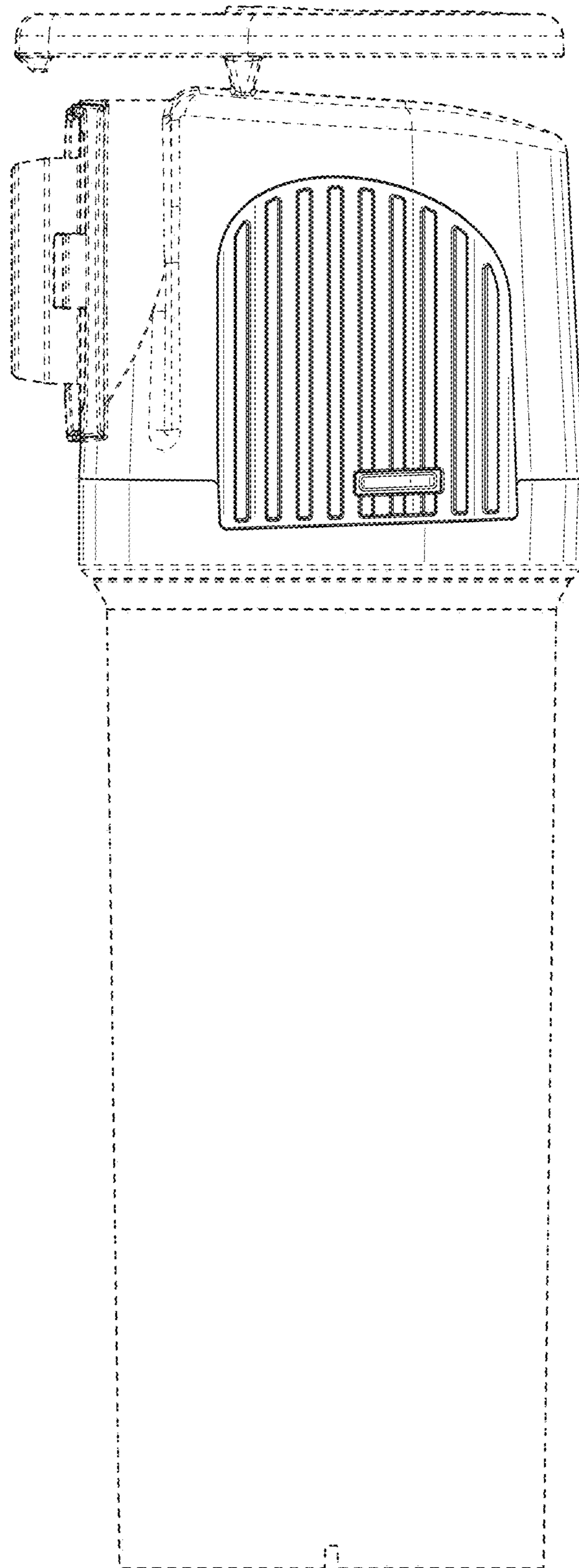


FIG. 5

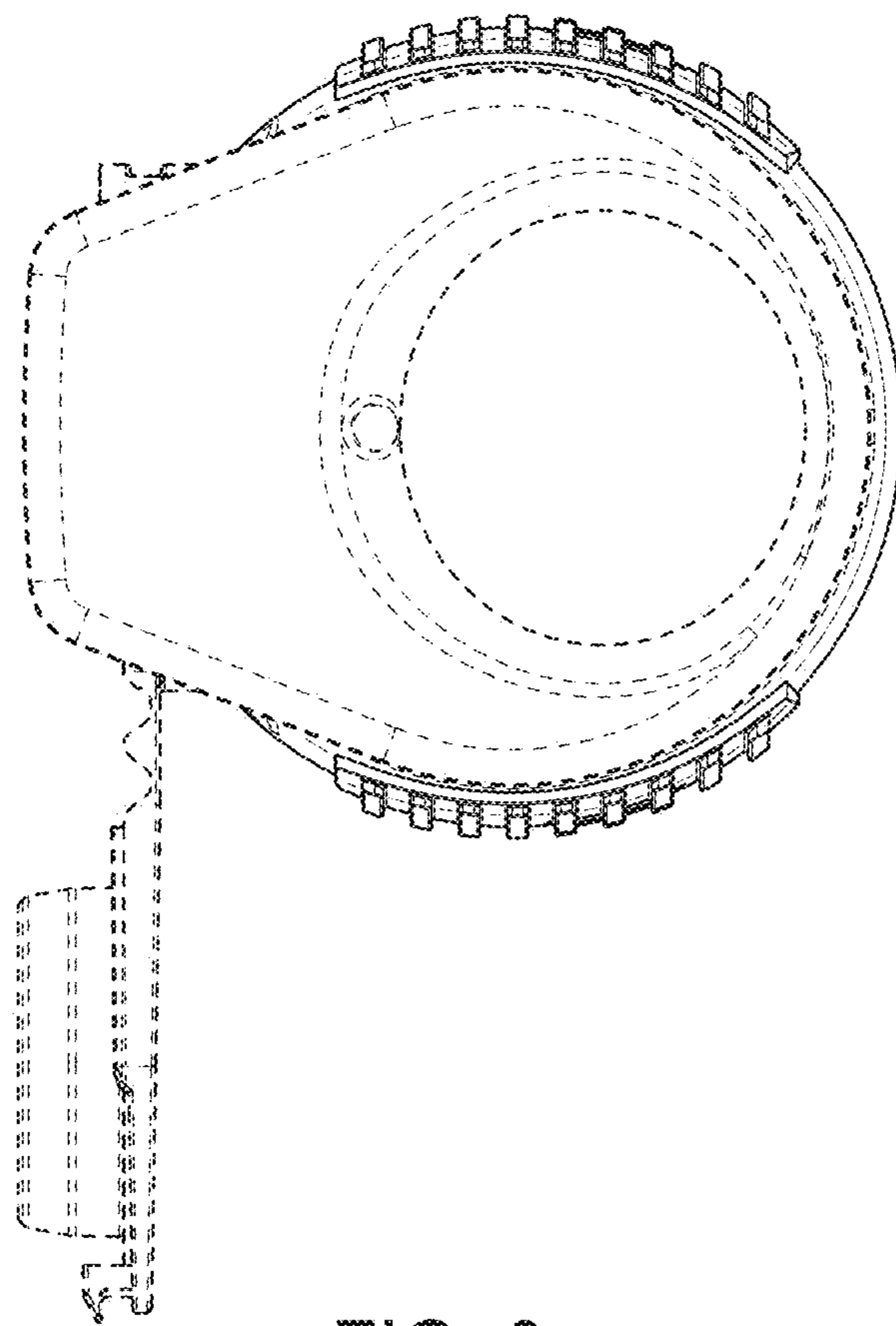


FIG. 6

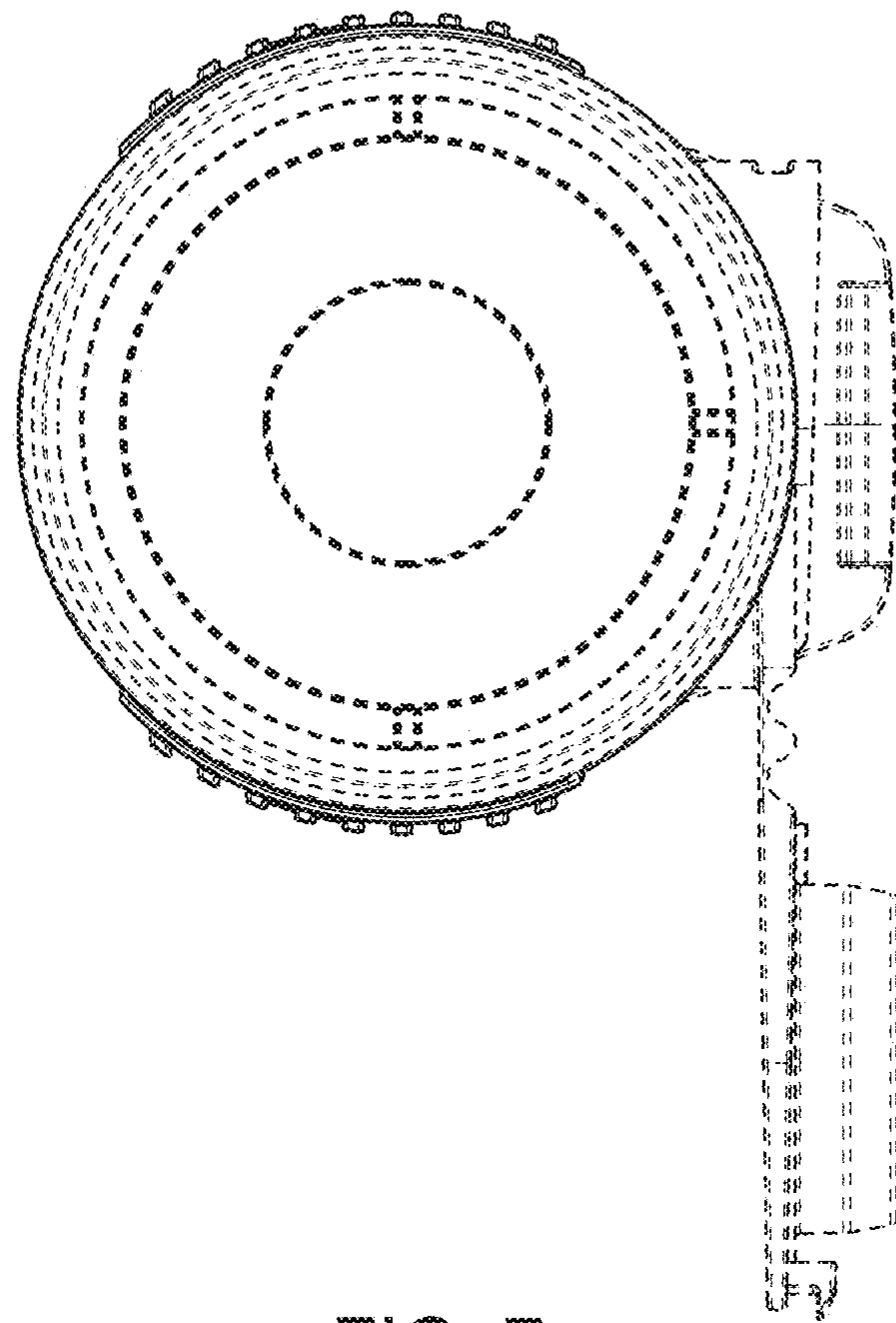


FIG. 7