



US00D893743S

(12) **United States Design Patent** (10) **Patent No.:** **US D893,743 S**  
**Self et al.** (45) **Date of Patent:** **\*\* Aug. 18, 2020**

(54) **PROCESS PLATE**  
(71) Applicant: **Becton, Dickinson and Company,**  
Franklin Lakes, NJ (US)  
(72) Inventors: **Brian A. Self,** Monkton, MD (US);  
**Dwight Livingston,** Fallston, MD (US)  
(73) Assignee: **Becton, Dickinson and Company,**  
Franklin Lakes, NJ (US)

D618,820 S 6/2010 Wilson et al.  
D624,194 S 9/2010 Pack et al.  
D673,294 S 12/2012 Motadel  
D677,400 S \* 3/2013 Blaettler ..... D24/230  
D690,027 S 9/2013 Motadel  
D697,227 S \* 1/2014 Motadel ..... D24/227  
(Continued)

(\*\*) Term: **15 Years**  
(21) Appl. No.: **29/658,064**  
(22) Filed: **Jul. 27, 2018**

**FOREIGN PATENT DOCUMENTS**

AU 201614442 C1 11/2016

**OTHER PUBLICATIONS**

[https://www.google.com/search?q=process+plate&source=Inms&tbm=isch&sa=X&ved= Aug. 12, 2019.\\*](https://www.google.com/search?q=process+plate&source=Inms&tbm=isch&sa=X&ved= Aug. 12, 2019.*)  
(Continued)

**Related U.S. Application Data**

(60) Division of application No. 29/575,809, filed on Aug. 29, 2016, now Pat. No. Des. 827,149, which is a continuation-in-part of application No. 29/564,484, filed on May 13, 2016, now Pat. No. Des. 825,774.  
(51) **LOC (12) Cl.** ..... **24-02**  
(52) **U.S. Cl.**  
USPC ..... **D24/224**  
(58) **Field of Classification Search**  
USPC ..... D24/107, 216, 227-230, 222, 127, 128;  
422/50, 500, 501, 524, 564, 563, 562,  
422/561, 942, 401  
CPC ..... B01L 3/0275; B01L 3/02; B01L 2300/08;  
B01L 2300/0829; B01L 2200/06  
See application file for complete search history.

*Primary Examiner* — Susan Bennett Hattan  
*Assistant Examiner* — Rebecca Tsehaye  
(74) *Attorney, Agent, or Firm* — Lerner, David,  
Littenberg, Krumholz & Mentlik, LLP

(57) **CLAIM**

The ornamental design for a process plate, as shown and described.

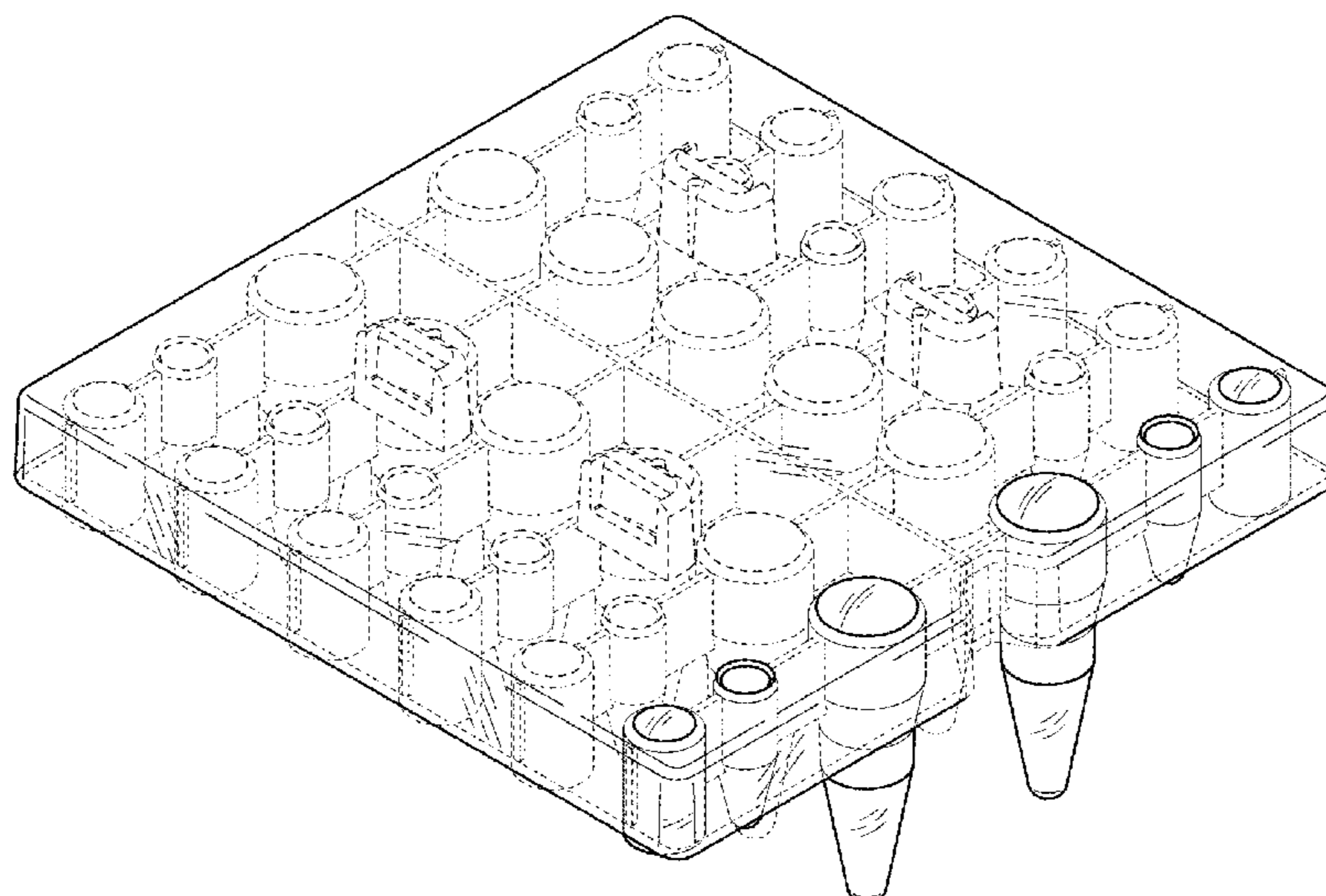
**DESCRIPTION**

FIG. 1 is a front perspective view of a process plate according to our design;  
FIG. 2 is a front elevational view thereof;  
FIG. 3 is a rear elevational view thereof;  
FIG. 4 is a right side elevational view thereof;  
FIG. 5 is a left side elevational view thereof;  
FIG. 6 is a top plan view thereof; and,  
FIG. 7 is a bottom plan view thereof.  
The broken lines illustrate unclaimed environmental structure and form no part of the claimed design. The oblique shade lines shown in the drawings indicate a transparent surface.

(56) **References Cited**  
**U.S. PATENT DOCUMENTS**

D337,165 S \* 7/1993 Malinoff ..... D24/222  
D420,743 S \* 2/2000 Monks ..... D24/224  
6,558,631 B1 5/2003 Day  
6,601,725 B2 8/2003 Lafond et al.  
D574,506 S 8/2008 Monks  
D598,566 S 8/2009 Allaer  
D608,013 S 1/2010 Coulling et al.

**1 Claim, 4 Drawing Sheets**



(56)

References Cited

U.S. PATENT DOCUMENTS

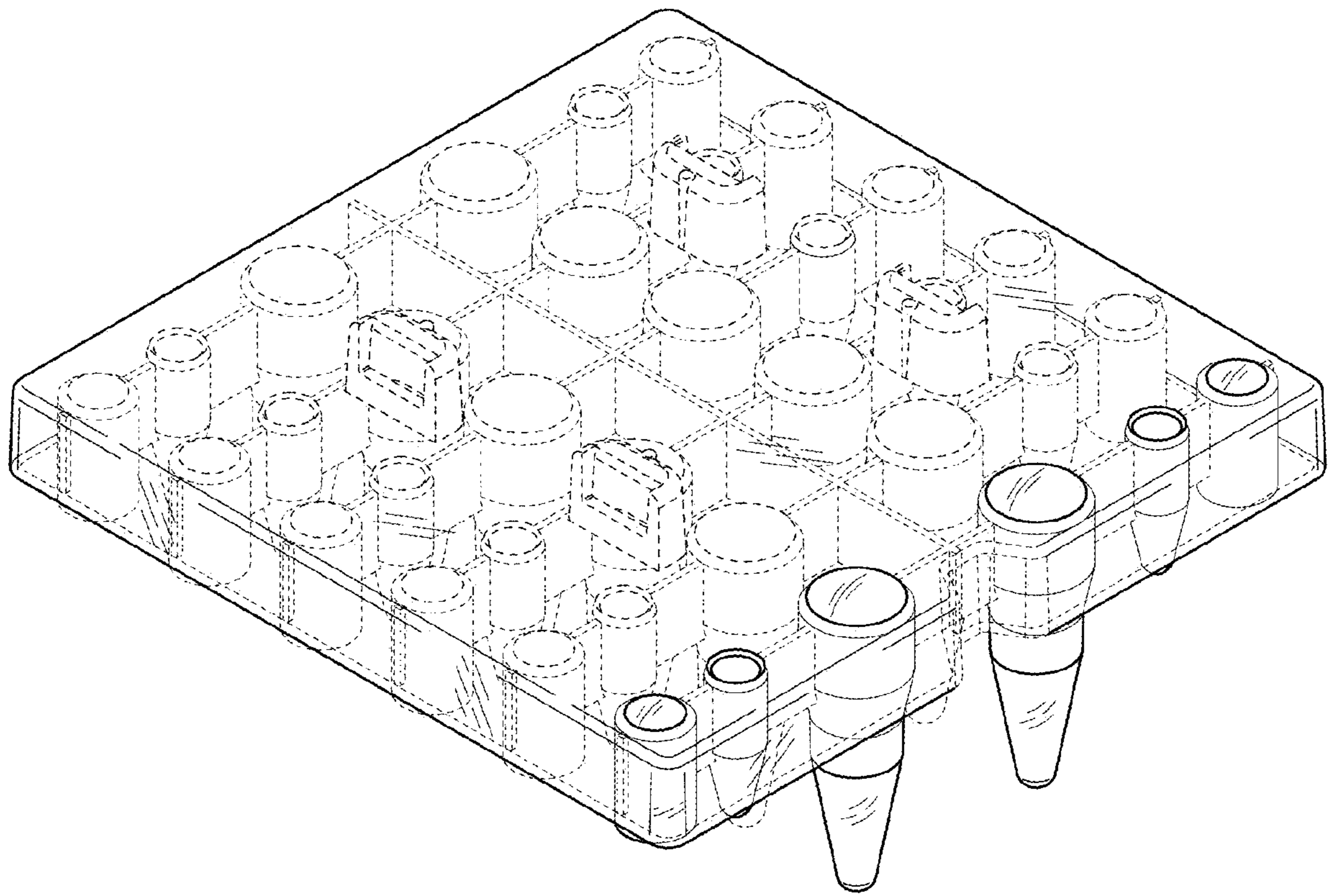
D699,371 S 2/2014 Williams et al.  
 D699,859 S \* 2/2014 Motadel ..... D24/227  
 D702,854 S \* 4/2014 Nakahana ..... D24/227  
 D703,345 S \* 4/2014 Tajima ..... D24/224  
 8,728,415 B2 5/2014 Seippel  
 D710,024 S 7/2014 Guo  
 D718,465 S 11/2014 Tajima et al.  
 D729,942 S 5/2015 Keizer et al.  
 9,180,456 B2 11/2015 Malinoski et al.  
 D778,459 S 2/2017 Tajima  
 D792,981 S 7/2017 Tajima  
 D793,573 S 8/2017 Karmeniemi  
 9,802,196 B2 10/2017 Taunk  
 D815,753 S 4/2018 Curry et al.  
 D825,774 S \* 8/2018 Self ..... D24/224  
 D826,425 S 8/2018 Muller et al.  
 D827,149 S \* 8/2018 Self ..... D24/224  
 D836,794 S \* 12/2018 Livingston ..... D24/224  
 D844,806 S 4/2019 Johns et al.  
 D848,638 S \* 5/2019 Sims ..... D24/226  
 D849,961 S 5/2019 Muller et al.  
 D854,707 S 7/2019 Jakobsen et al.  
 D862,724 S \* 10/2019 Sims ..... D24/224  
 D868,289 S 11/2019 Muller et al.  
 D868,996 S 12/2019 Muller et al.  
 D878,623 S \* 3/2020 Self ..... D24/224

2005/0136546 A1\* 6/2005 Berndt ..... B01L 3/5085  
 436/45  
 2006/0257292 A1\* 11/2006 Motadel ..... B01L 9/543  
 422/400  
 2008/0284602 A1\* 11/2008 Morris ..... B01L 3/5027  
 340/572.1  
 2010/0080734 A1\* 4/2010 Brophy ..... B01L 3/0275  
 422/400  
 2010/0119418 A1\* 5/2010 Clements ..... B01L 3/5085  
 422/400  
 2010/0314051 A1\* 12/2010 Barger ..... B01D 1/14  
 159/16.1  
 2012/0257953 A1 10/2012 Williams et al.  
 2013/0161225 A1\* 6/2013 Lepot ..... A61M 5/001  
 206/557  
 2014/0205518 A1\* 7/2014 Malinoski ..... C08L 67/02  
 422/552  
 2014/0234182 A1 8/2014 Motadel et al.  
 2016/0319329 A1\* 11/2016 Natale ..... G01N 35/028

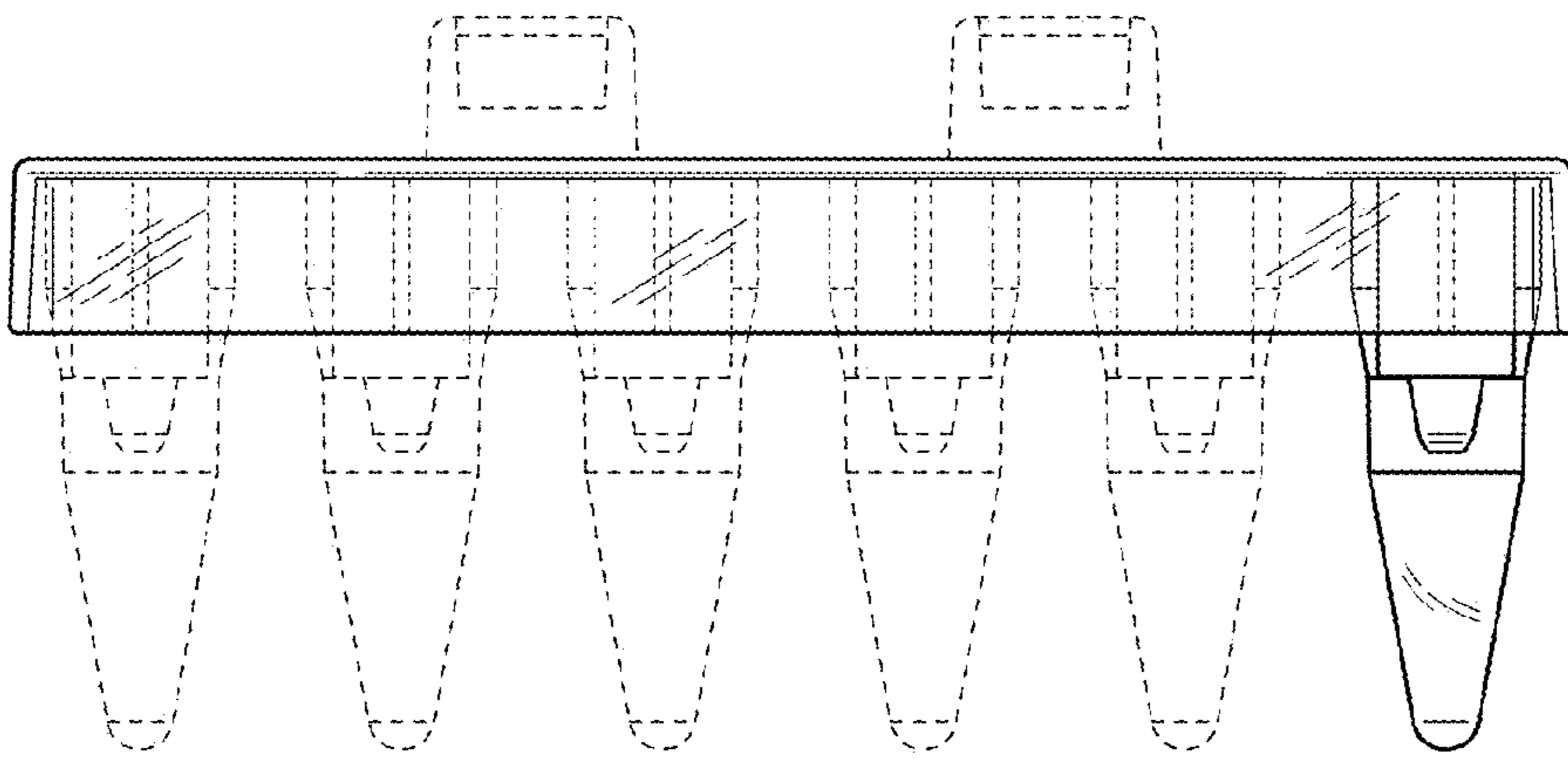
OTHER PUBLICATIONS

Design U.S. Appl. No. 29/657,941, filed Jul. 26, 2018, entitled  
 "Process Plate".  
 Self et al., "Process Plate", Design U.S. Appl. No. 29/664,909, filed  
 Sep. 28, 2018.

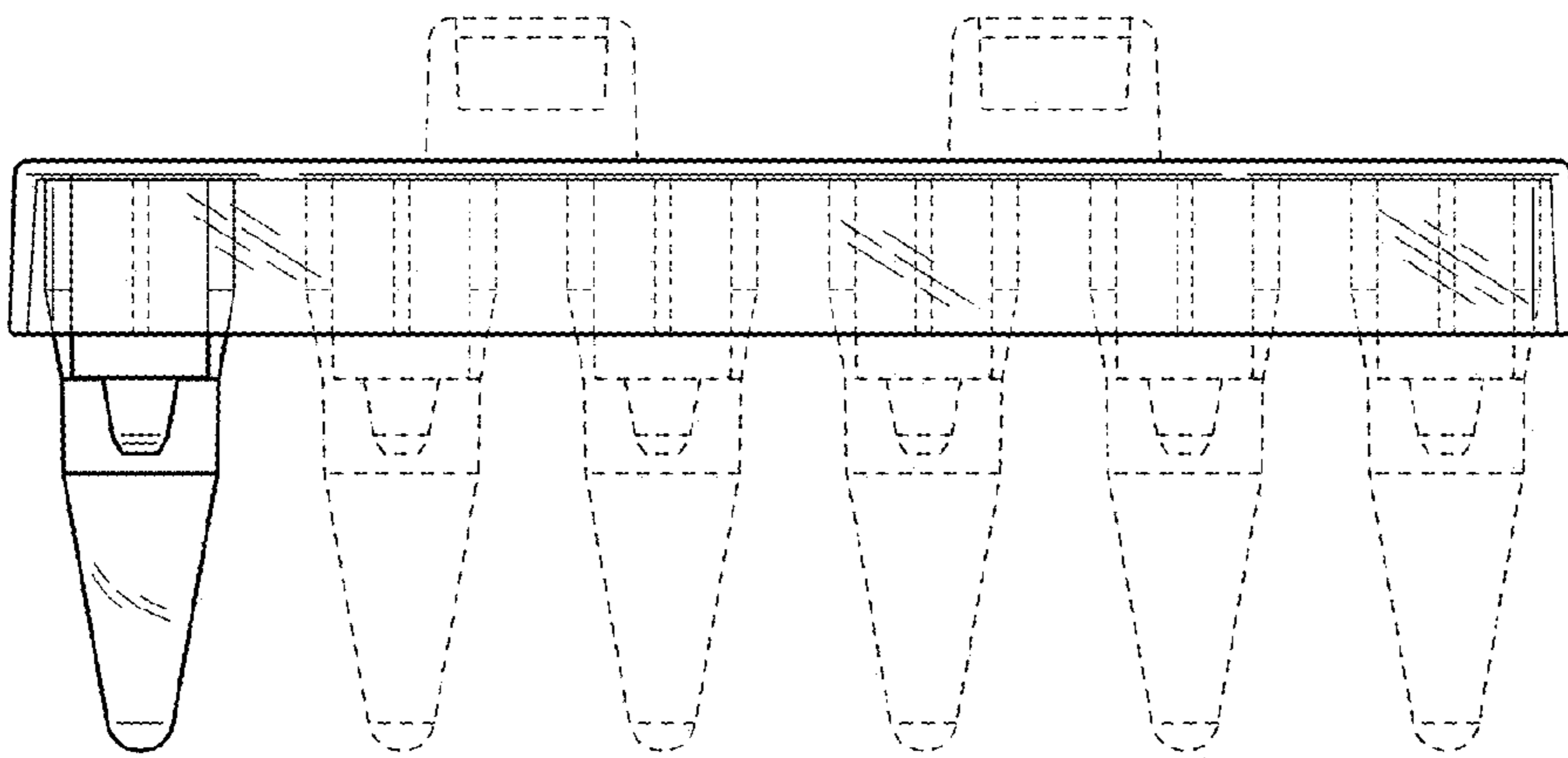
\* cited by examiner



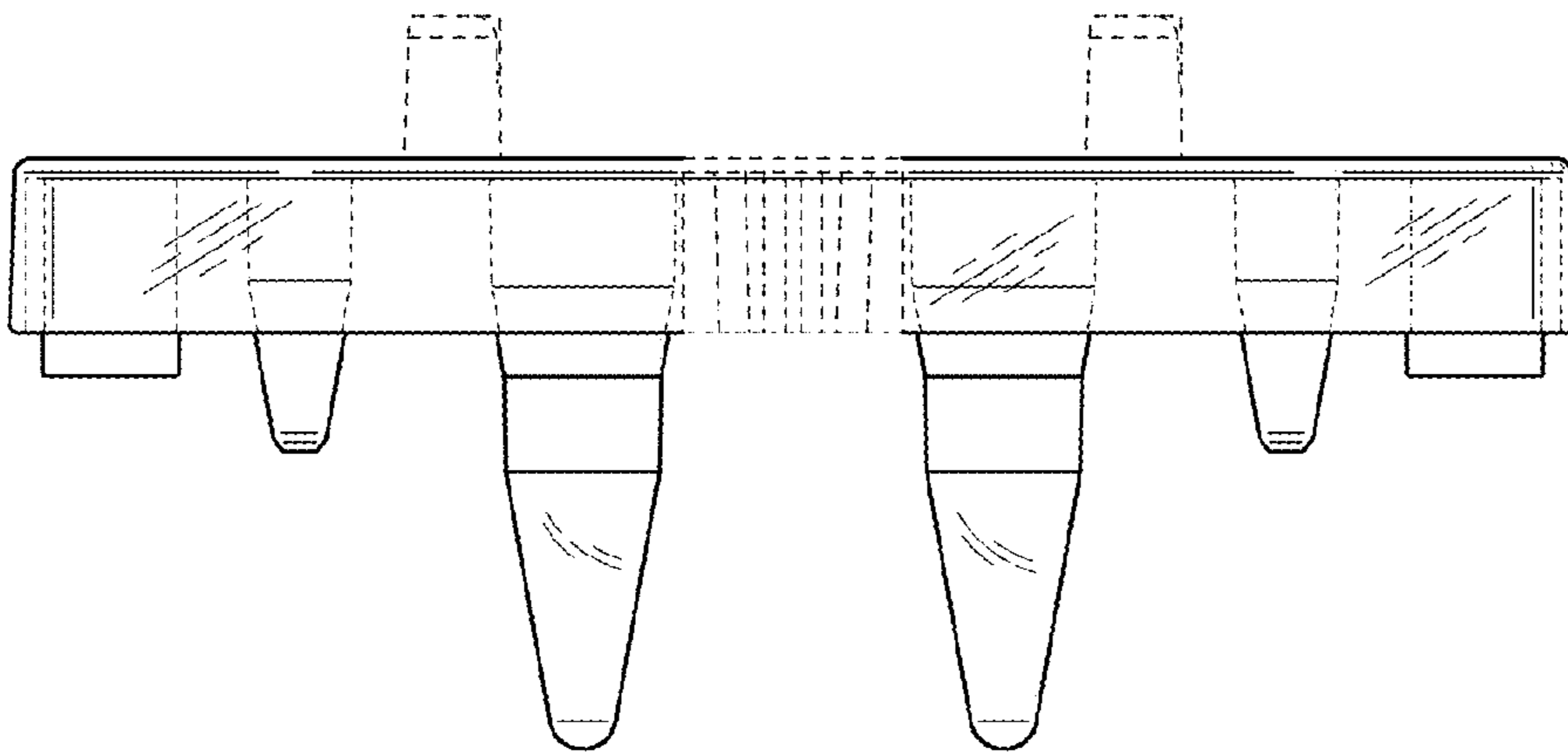
**FIG. 1**



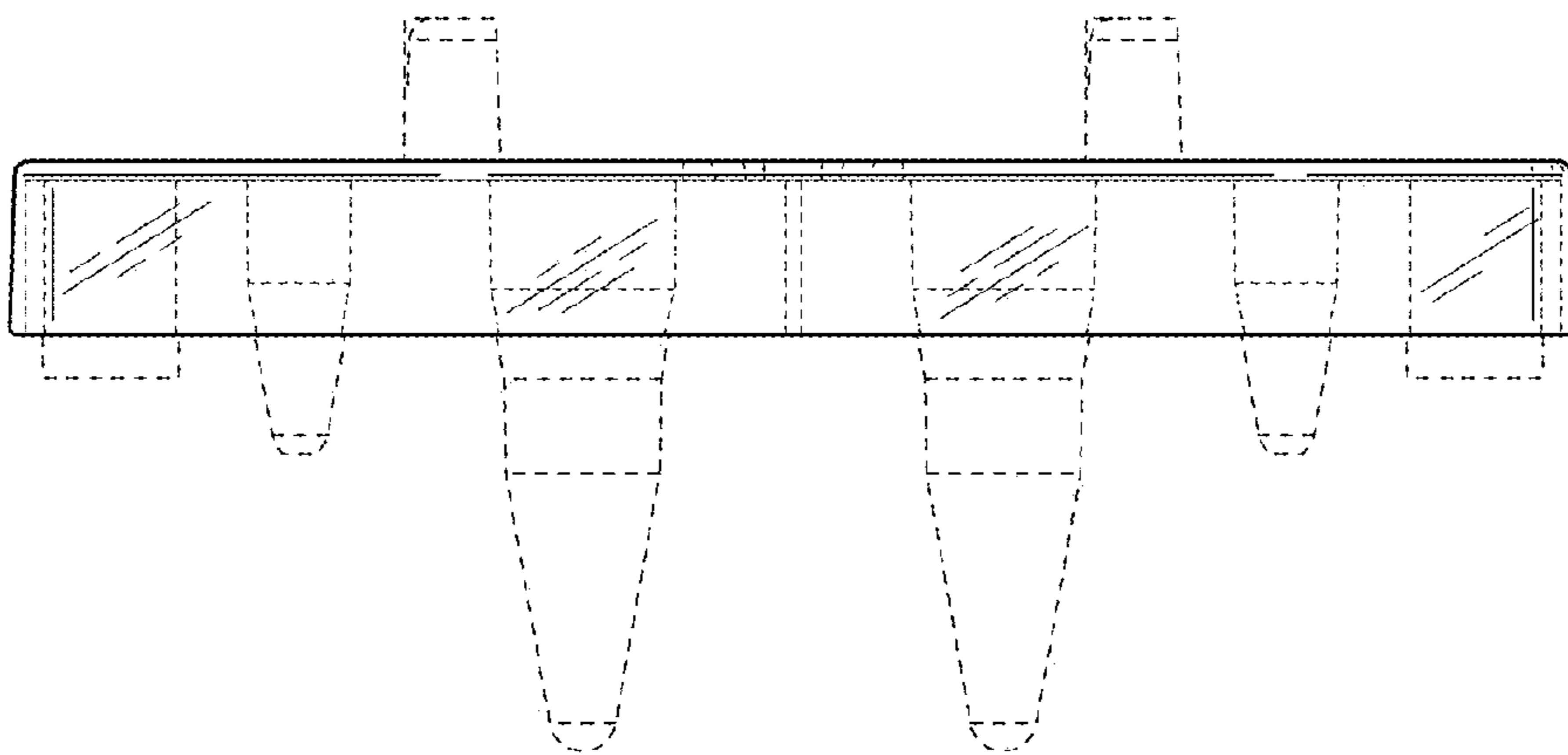
**FIG. 2**



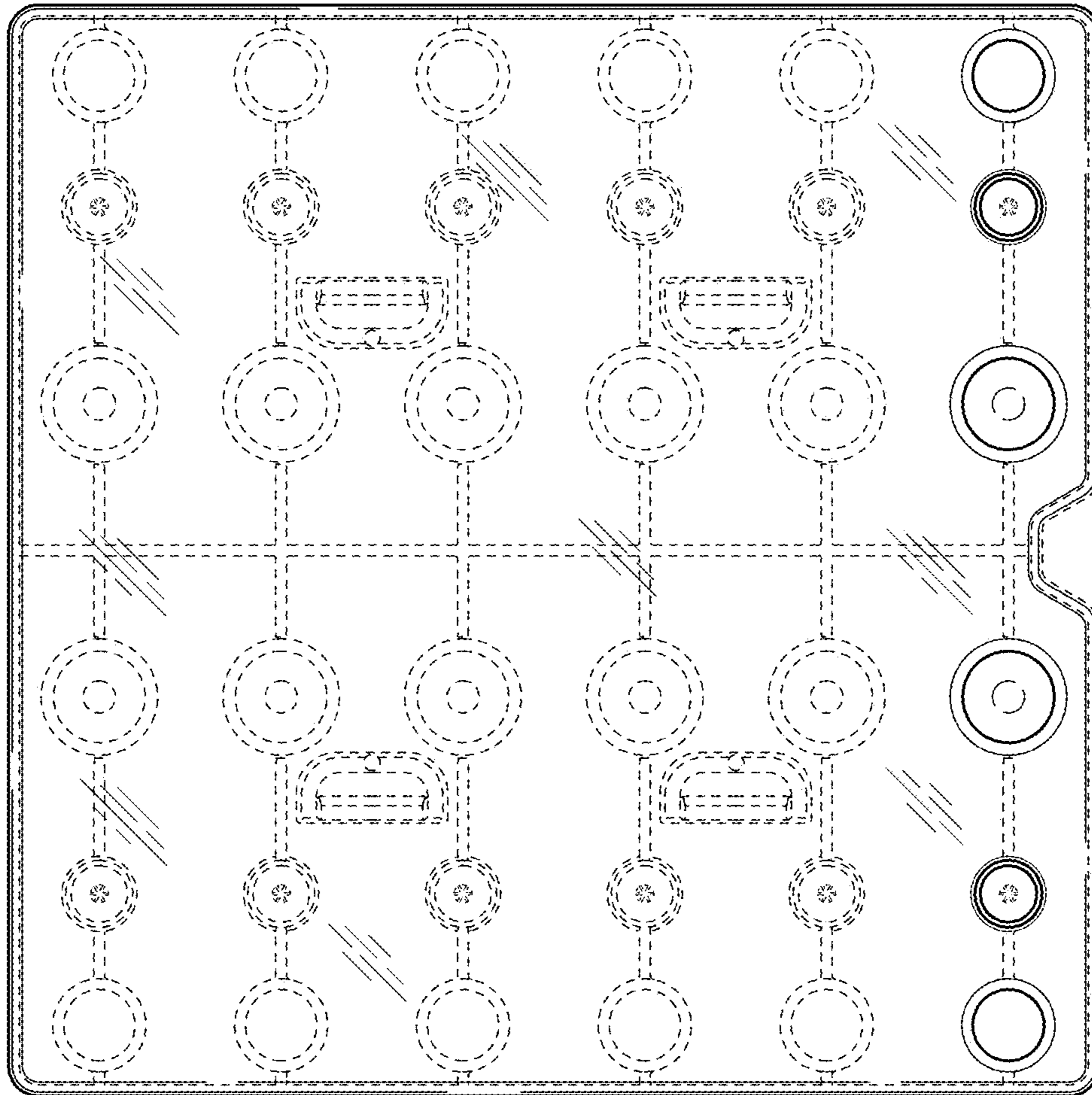
**FIG. 3**



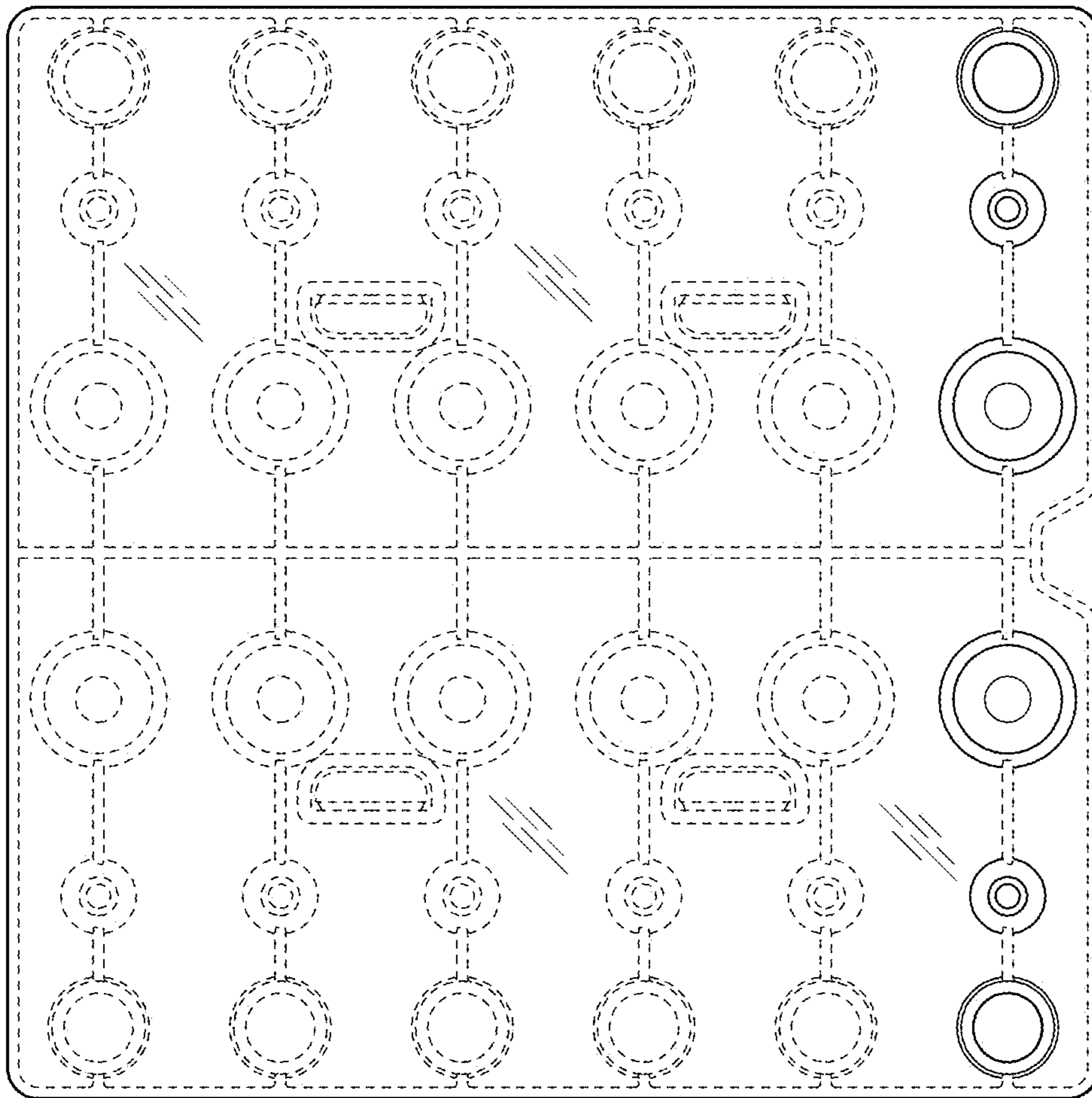
**FIG. 4**



**FIG. 5**



**FIG. 6**



**FIG. 7**