



US00D893742S

(12) **United States Design Patent** (10) **Patent No.:** **US D893,742 S**
Ohmura et al. (45) **Date of Patent:** **** *Aug. 18, 2020**

(54) **SAMPLE HOLDER FOR IONIZED SAMPLE ANALYSIS**

(71) Applicant: **HAMAMATSU PHOTONICS K.K.**,
Hamamatsu-shi, Shizuoka (JP)

(72) Inventors: **Takayuki Ohmura**, Hamamatsu (JP);
Masahiro Kotani, Hamamatsu (JP)

(73) Assignee: **HAMAMATSU PHOTONICS K.K.**,
Hamamatsu-shi, Shizuoka (JP)

(*) Notice: This patent is subject to a terminal disclaimer.

(**) Term: **15 Years**

(21) Appl. No.: **29/656,983**

(22) Filed: **Jul. 18, 2018**

(30) **Foreign Application Priority Data**

Jan. 19, 2018 (JP) 2018-000962

(51) **LOC (12) Cl.** **24-02**

(52) **U.S. Cl.**
USPC **D24/224; D24/225**

(58) **Field of Classification Search**
USPC D24/216, 223-227, 229-232; D9/537,
D9/545, 549; D3/203.1, 203.2; D10/81
(Continued)

(56) **References Cited**

U.S. PATENT DOCUMENTS

D218,819 S 9/1970 Rubbin
D227,744 S 7/1973 Mitchko
(Continued)

OTHER PUBLICATIONS

Makeup Tool Kit 33 in 1 Make up Cosmetics Including Eyeshadow
Blush Powder Lip gloss With Makeup Box Makeup Set for Gift.

Online, published date unknown. Retrieved on Nov. 17, 2019 from
URL: https://kozeez.com/products/makup-tool-kit-33-in-1-make-up-cosmetics-including-eyeshadow-blush-powder-lip-gloss-with-makeup-box.*

(Continued)

Primary Examiner — Susan Bennett Hattan
Assistant Examiner — Omeed Agilee

(74) *Attorney, Agent, or Firm* — Faegre Drinker Biddle &
Reath LLP

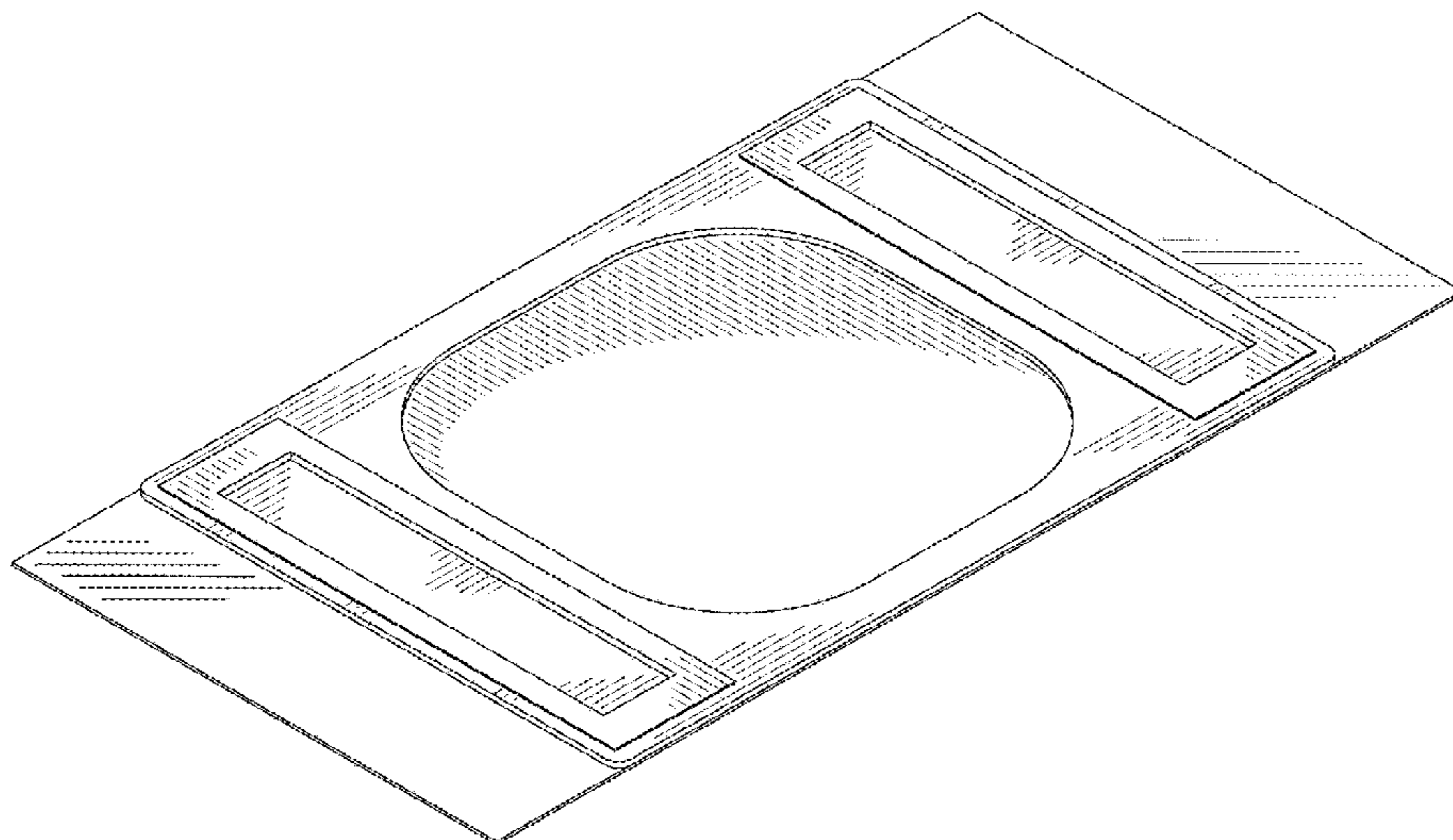
(57) **CLAIM**

The ornamental design for a sample holder for ionized sample analysis, as shown and described.

DESCRIPTION

FIG. 1 is a front view of a sample holder for ionized sample analysis of the present invention;
FIG. 2 is a rear view thereof;
FIG. 3 is a top plan view thereof;
FIG. 4 is a bottom plan view thereof;
FIG. 5 is a right side view thereof;
FIG. 6 is a left side view thereof;
FIG. 7 is a front perspective view thereof;
FIG. 8 is a rear perspective view thereof;
FIG. 9 is an enlarged cross-sectional view along the line 9-9 in FIG. 1, in the area designated by 9'-9' in FIG. 1;
FIG. 10 is an enlarged cross-sectional view along the line 10-10 in FIG. 1, in the area designated by 10'40' in FIG. 1;
FIG. 11 is an enlarged cross-sectional view along the line 11-11 in FIG. 1, in the area designated by 11'-11' in FIG. 1;
FIG. 12 is an enlarged cross-sectional view along the line 12-12 in FIG. 1, in the area designated by 12'-12' in FIG. 1; and,
FIG. 13 is an enlarged cross-sectional view along the line 13-13 in FIG. 1, in the area designated by 13'-13' in FIG. 1. The dash-dot-dash broken lines depict indicators for sectional views and enlarged views and depict boundaries in the enlarged sectional views and enlarged views, the dash-dot-dash broken lines form no part of the claimed design.

1 Claim, 13 Drawing Sheets



(58) **Field of Classification Search**
 CPC ... C12M 23/10; C12M 23/12; G01N 23/0033;
 G01N 23/0041; G01N 23/20025
 See application file for complete search history.

(56) **References Cited**

U.S. PATENT DOCUMENTS

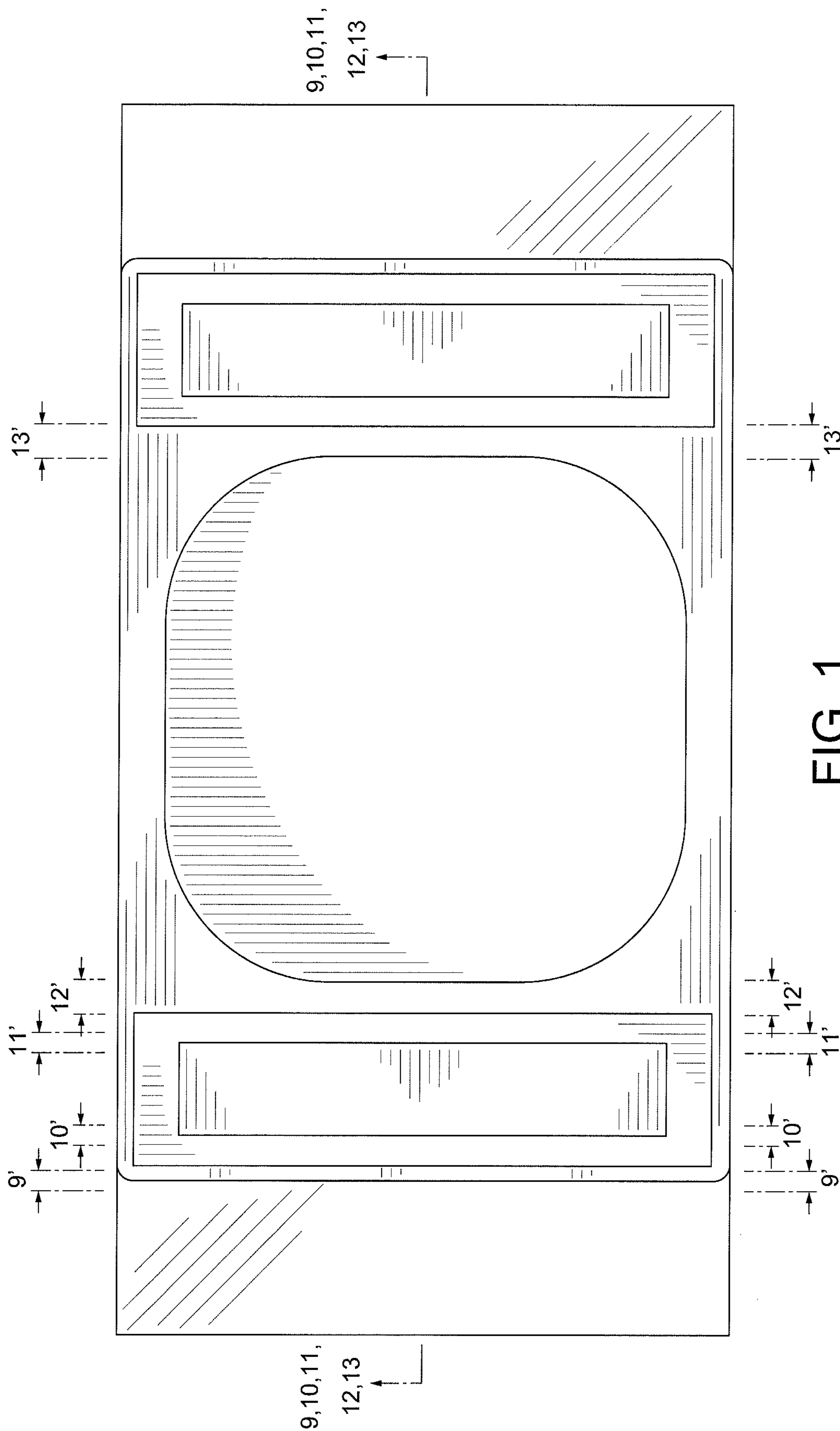
D239,548 S * 4/1976 Schiff D24/225
 D273,898 S 5/1984 Valencia
 D274,261 S 6/1984 Valencia
 D277,699 S 2/1985 Valencia
 D290,042 S 5/1987 Ford
 5,349,436 A 9/1994 Fisch
 D351,475 S 10/1994 Gerber
 5,425,451 A 6/1995 Blase
 D376,685 S 12/1996 Weller et al.
 D397,831 S * 9/1998 Stoecker D28/78
 D418,228 S 12/1999 Fisch
 D420,745 S 2/2000 Cardy
 D431,300 S 9/2000 Fisch
 D431,301 S 9/2000 Fisch
 D473,318 S 4/2003 Barbera-Guillem
 D491,276 S 6/2004 Langille
 D500,142 S * 12/2004 Crisanti D24/216
 D503,274 S 3/2005 Roche et al.
 D510,883 S 10/2005 George
 D530,826 S 10/2006 Rich et al.
 D540,953 S 4/2007 Ramel et al.
 7,217,520 B2 5/2007 Tsinberg et al.
 D569,990 S * 5/2008 Fisch D24/225
 7,409,698 B2 8/2008 Tjensvold et al.
 D596,753 S 7/2009 LaStella
 D596,758 S 7/2009 Constable
 D672,050 S 12/2012 Lee et al.
 D673,295 S 12/2012 Motadel
 D680,227 S * 4/2013 Berg D24/223
 D699,369 S * 2/2014 Fonseca D24/224
 D702,364 S 4/2014 Iqbal et al.
 D722,385 S 2/2015 Fonseca
 9,034,634 B2 5/2015 Miller
 D733,313 S 6/2015 Kouge et al.
 D733,912 S 7/2015 Ito et al.
 D734,482 S * 7/2015 Peterman D24/216
 D736,403 S 8/2015 Hudson et al.
 D758,608 S * 6/2016 Behar D24/223

D786,448 S * 5/2017 Ohsaka D24/224
 D787,356 S 5/2017 Johnston
 D792,735 S 7/2017 Henry
 D800,184 S 10/2017 Suess et al.
 D800,336 S 10/2017 Chang et al.
 D806,890 S 1/2018 Williams et al.
 D806,892 S 1/2018 Walden, II et al.
 D812,767 S 3/2018 Osmus et al.
 D825,076 S 8/2018 Librach et al.
 D827,857 S 9/2018 Buschtez
 D838,001 S 1/2019 Ito et al.
 D840,049 S 2/2019 Schulz et al.
 D841,183 S 2/2019 Walden, II et al.
 D843,013 S 3/2019 Ito et al.
 D854,184 S 7/2019 Ito et al.
 D855,203 S 7/2019 Katsumata et al.
 D855,206 S 7/2019 Ito et al.
 D855,207 S 7/2019 Ito et al.
 D855,208 S 7/2019 Ito et al.
 D855,209 S 7/2019 Ito et al.
 D855,210 S 7/2019 Ito et al.
 D867,612 S 11/2019 Ohmura et al.
 D867,613 S 11/2019 Ohmura et al.
 2005/0237607 A1 * 10/2005 Tenney G01N 1/2813
 359/392
 2008/0056948 A1 3/2008 Dale et al.
 2009/0253582 A1 10/2009 Pena et al.
 2012/0045792 A1 2/2012 Cohen et al.
 2012/0142026 A1 6/2012 Miller et al.
 2015/0330776 A1 11/2015 Hayashi et al.
 2016/0175840 A1 6/2016 Ingber et al.

OTHER PUBLICATIONS

“Custom 6Color Highlighter Makeup Packaging Eyeshadow Palette Container With Mirror”, Nov. 10, 2019.
 “Paleta 15 Sombras Mac Colores Neutros* Regalo Gratis”, https://articulo.mercadolibre.com.mx/MLM-598664759-paleta-15-sombras-mac-colores-neutros-regalo-gratis-_JM, Dec. 5, 2019.
 Office Action dated Dec. 9, 2019 in U.S. Appl. No. 29/657,001.
 Office Action dated Dec. 10, 2019 in U.S. Appl. No. 29/656,985.
 Makeup palette. Online, published date unknown. Retrieved on Dec. 5, 2019 from URL: <https://www.wallpaperflare.com/search?wallpaper=makeup+palette>.

* cited by examiner



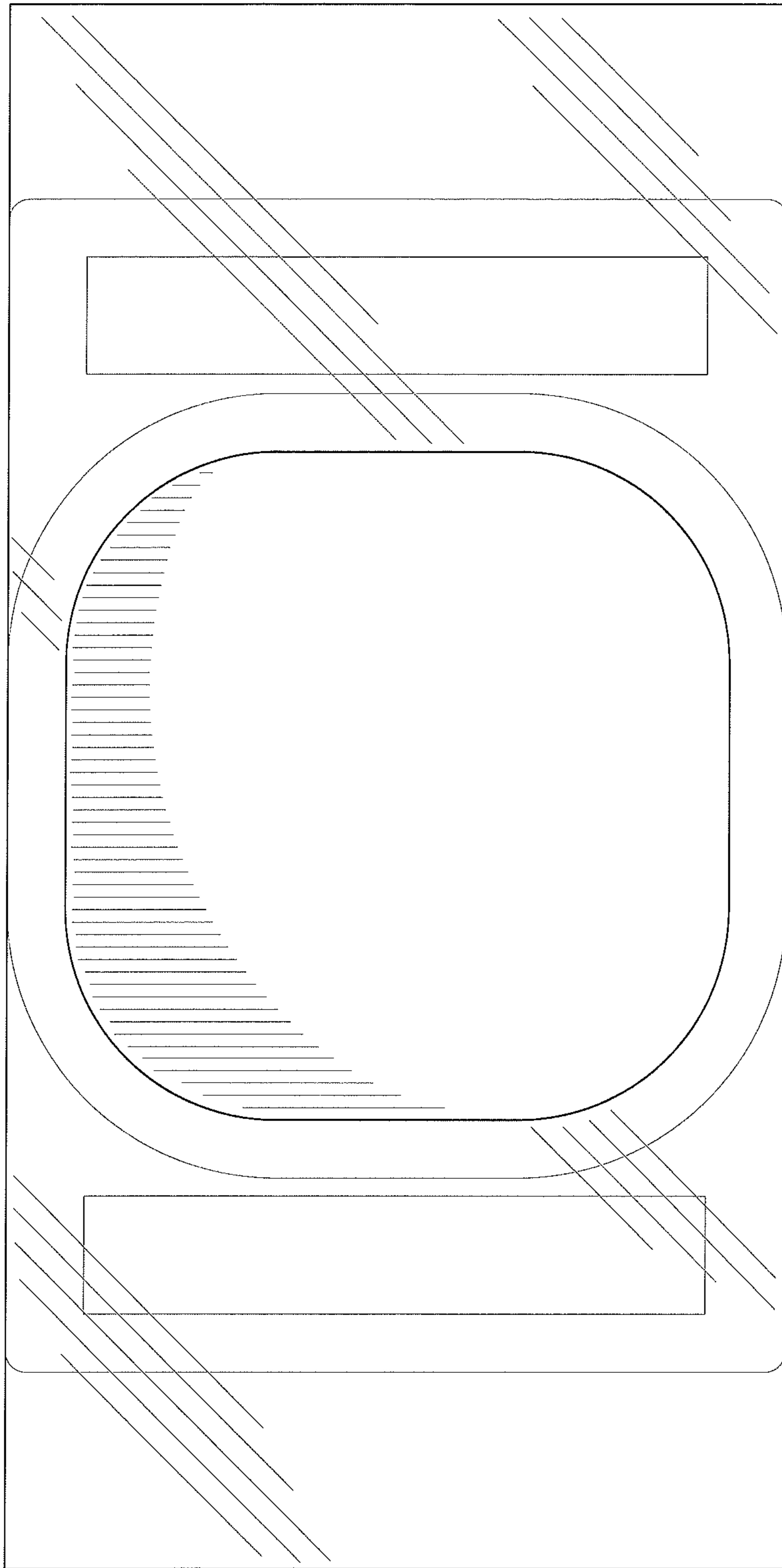


FIG. 2



FIG. 3



FIG. 4

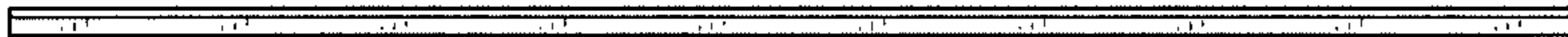


FIG. 5

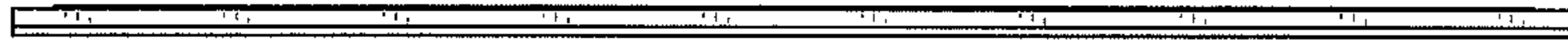


FIG. 6

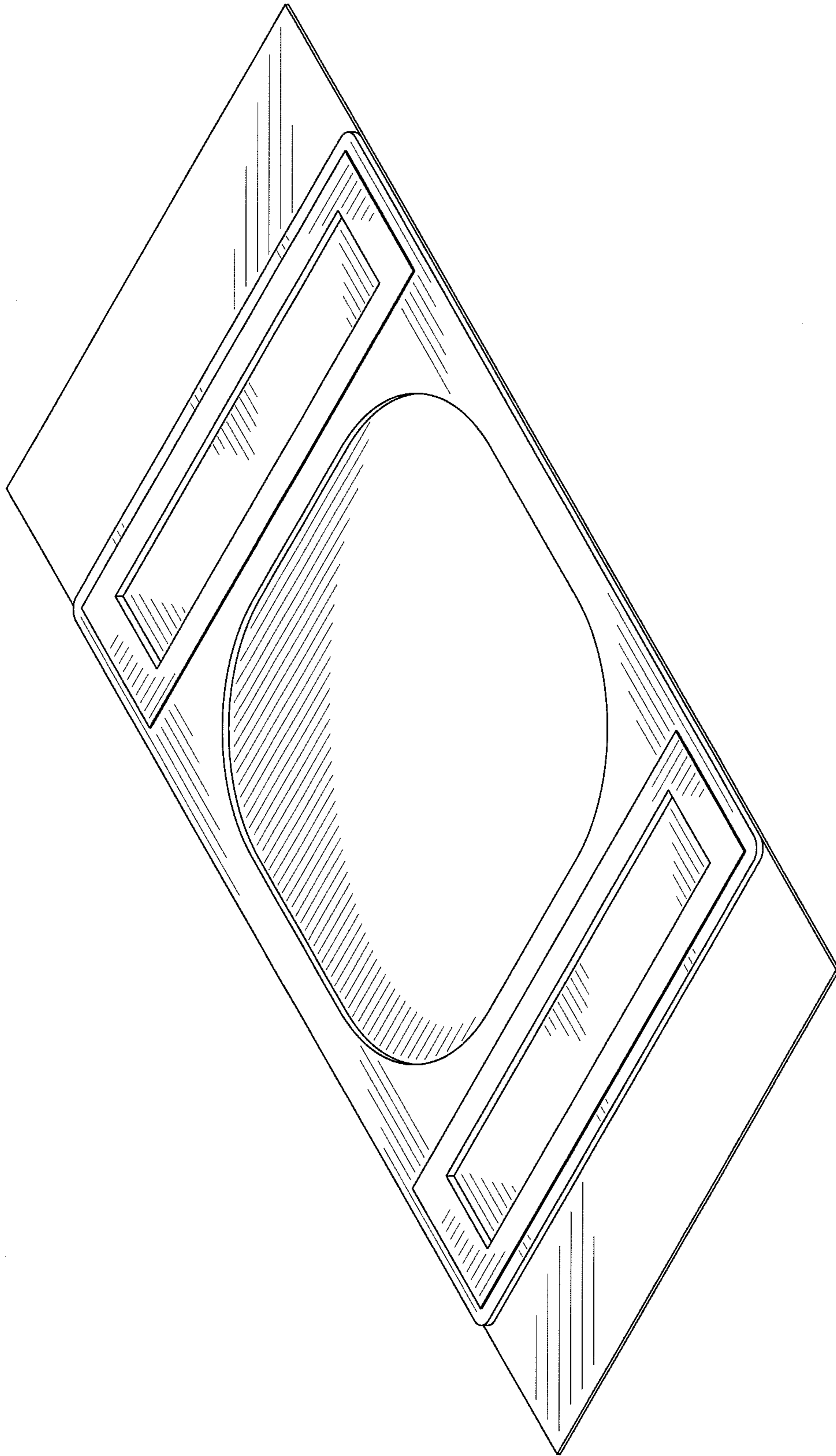


FIG. 7

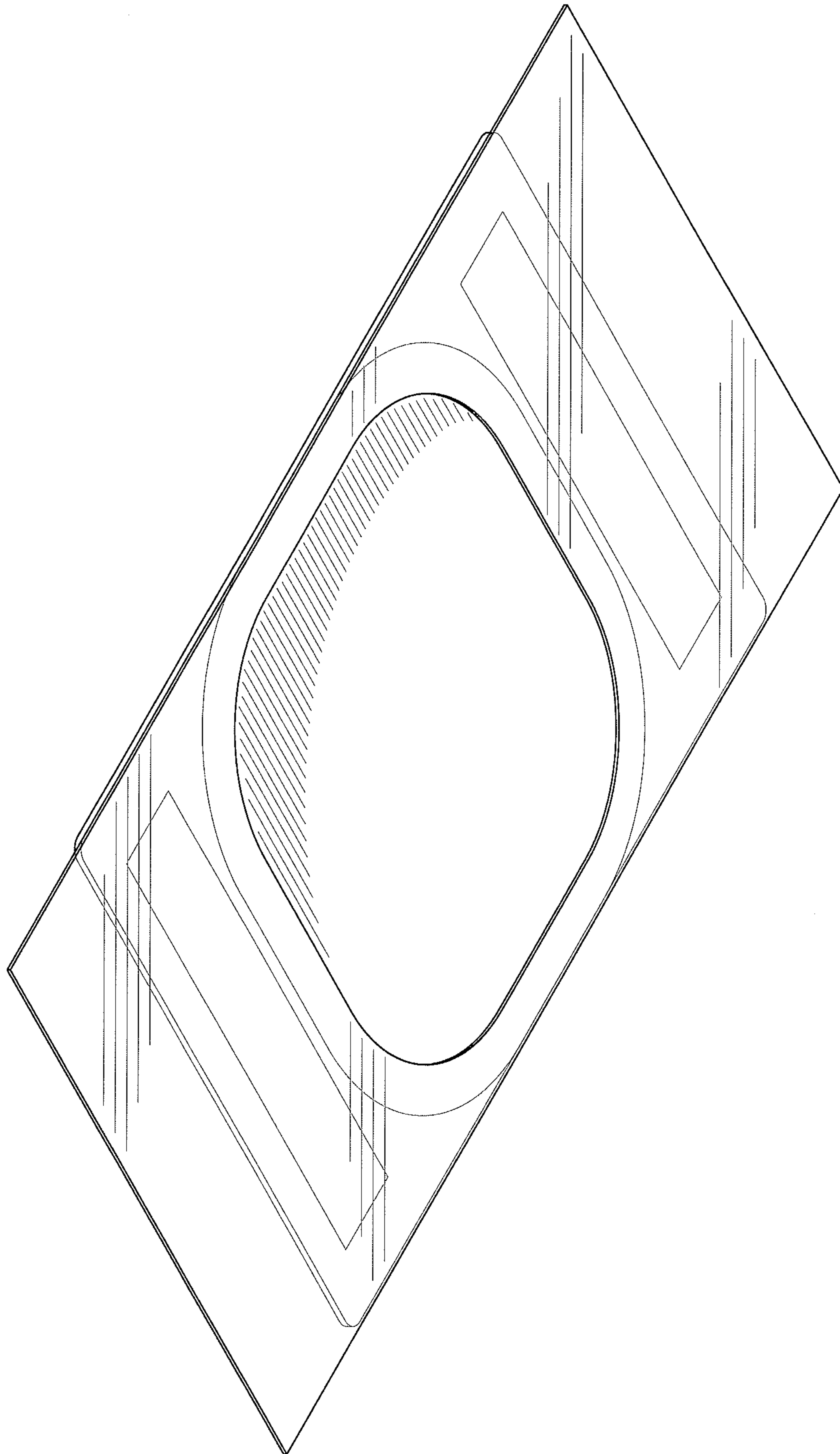


FIG. 8

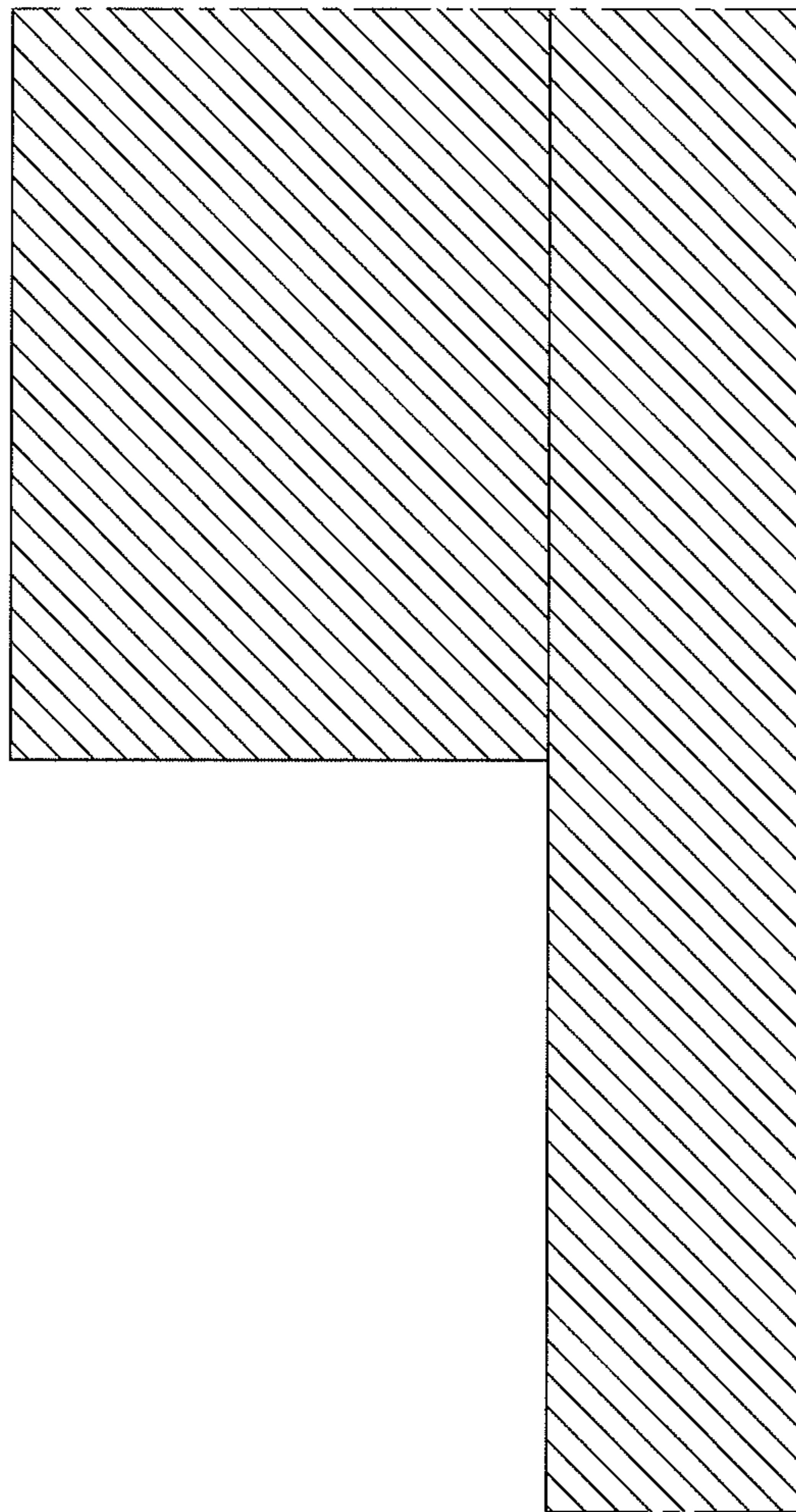


FIG. 9

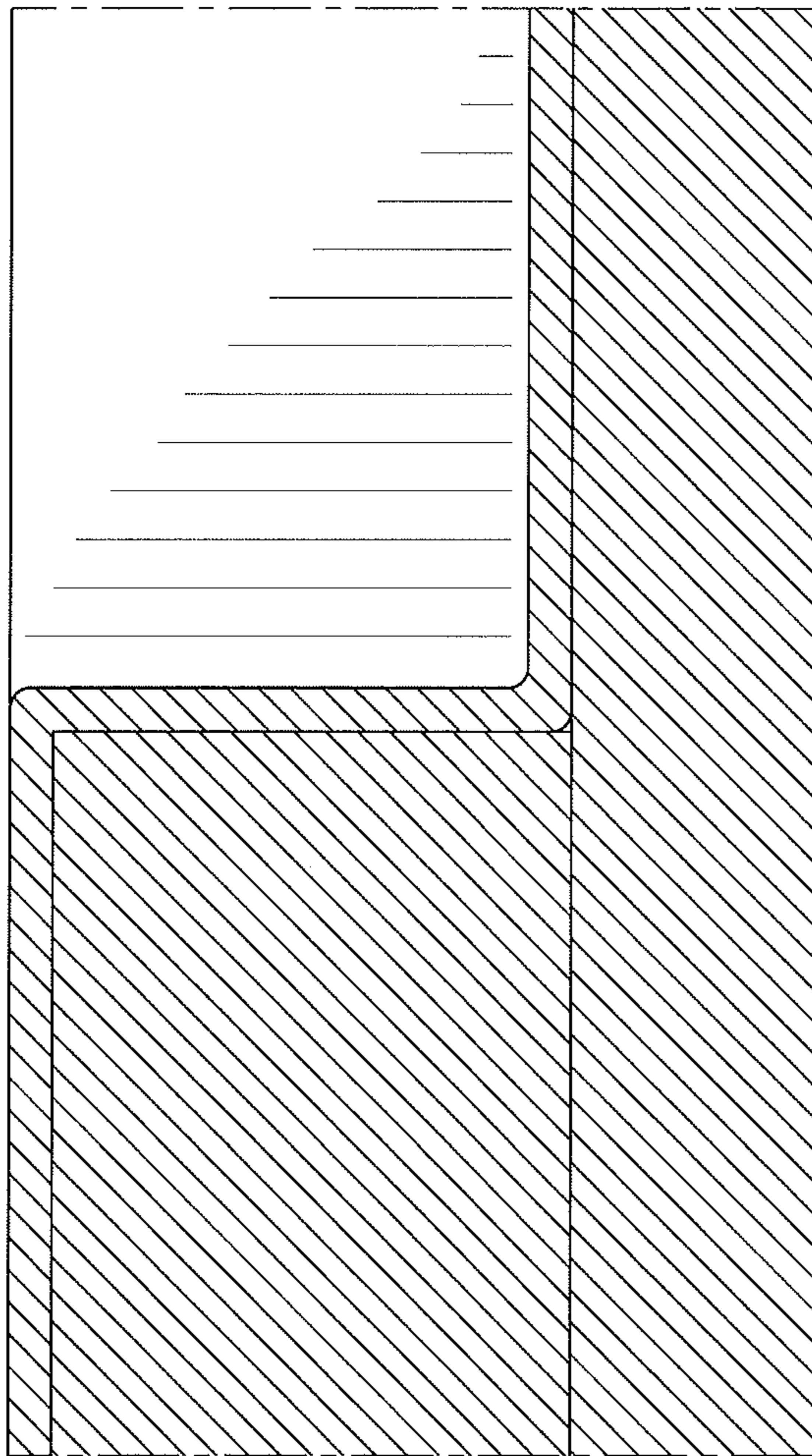


FIG. 10

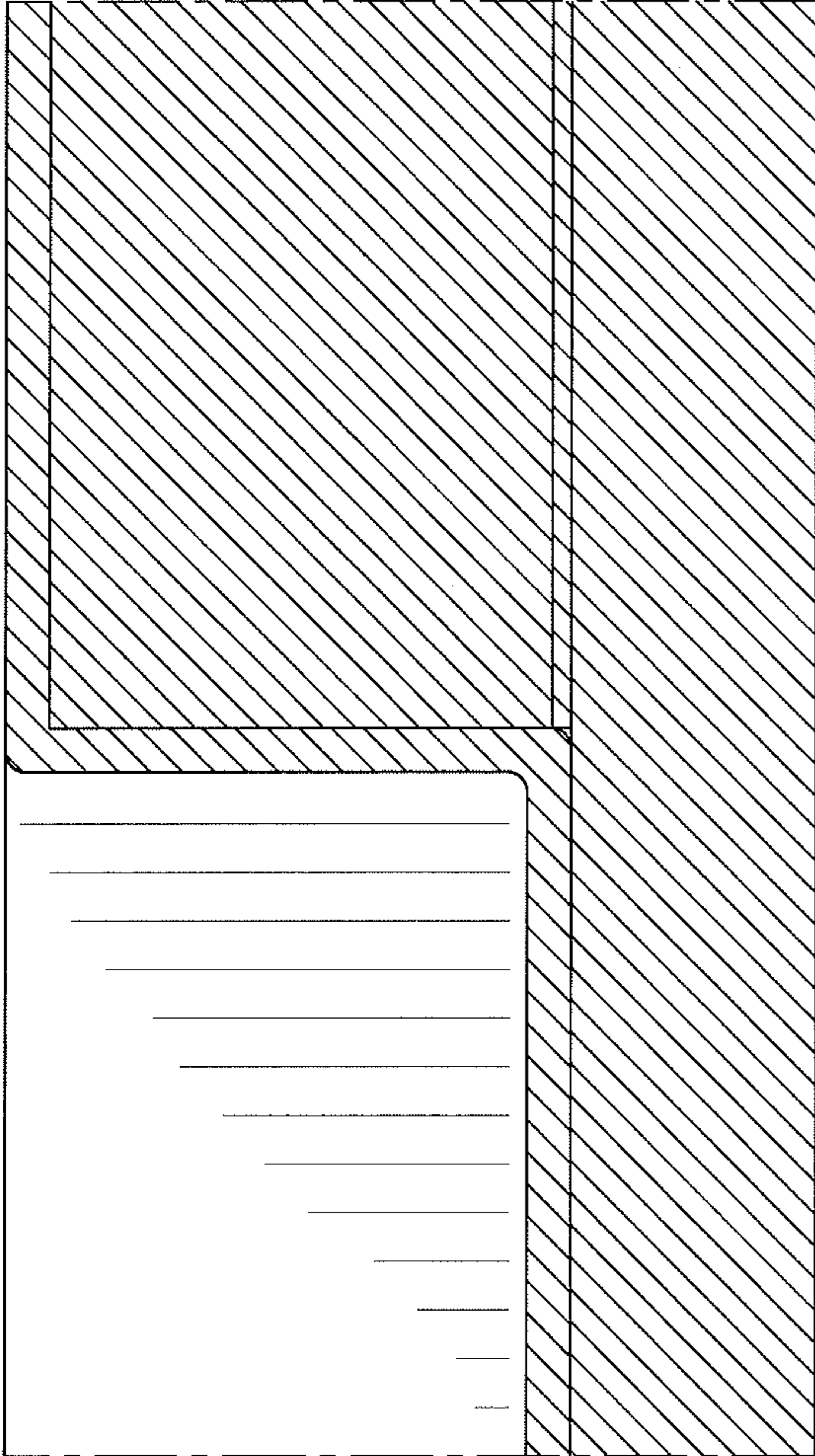


FIG. 11

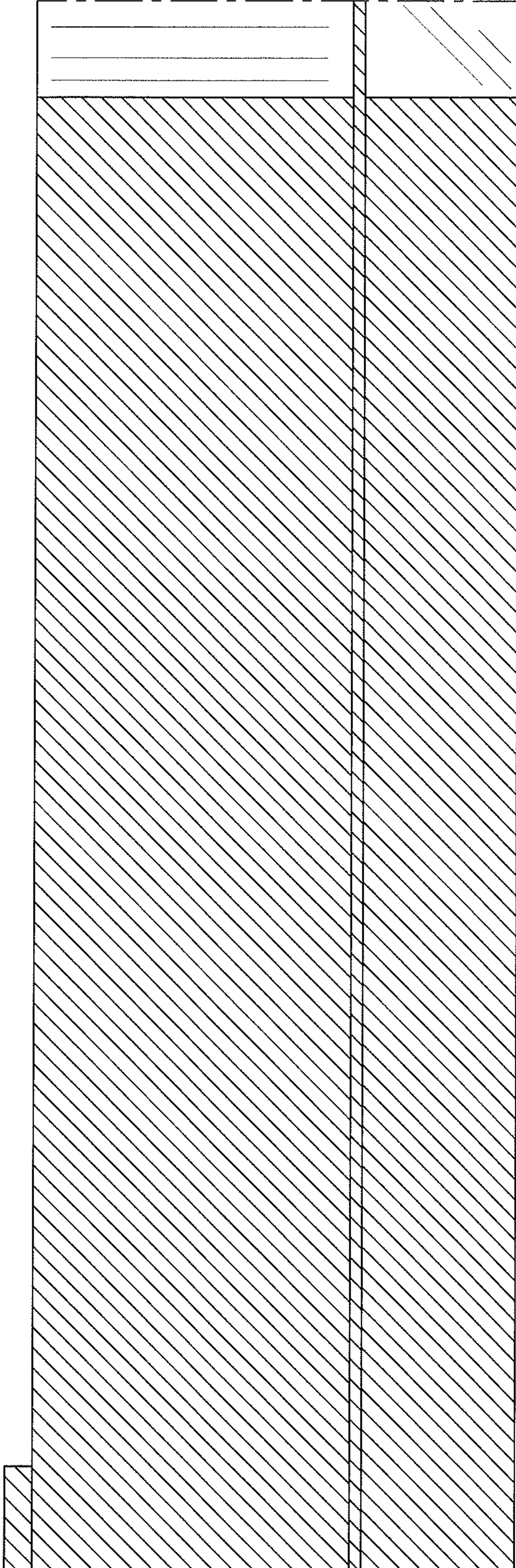


FIG. 12

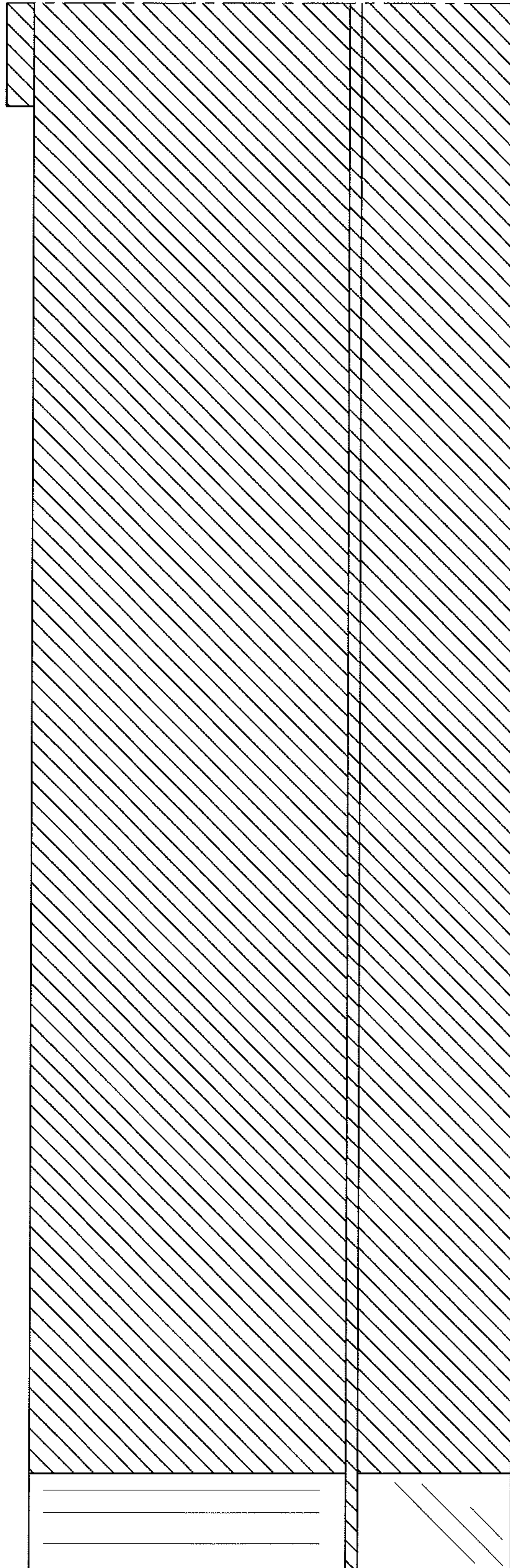


FIG. 13