



US00D893741S

(12) **United States Design Patent**
Aagaard

(10) **Patent No.:** **US D893,741 S**

(45) **Date of Patent:** **** Aug. 18, 2020**

- (54) **HOUSING FOR A CENTRIFUGE**
- (71) Applicant: **GEA MECHANICAL EQUIPMENT GMBH, Oelde (DE)**
- (72) Inventor: **Poul-Erik Aagaard, Sporup (DK)**
- (73) Assignee: **GEA MECHANICAL EQUIPMENT GmbH, Oelde (DE)**

D413,676 S *	9/1999	Lippoldt	D24/219
D413,678 S *	9/1999	Anderson	D24/232
D524,825 S *	7/2006	Koch	D15/21
D551,104 S *	9/2007	Wounder	D10/81
D569,008 S *	5/2008	Lundqvist	D24/232
D601,912 S *	10/2009	Gebauer	D10/81
D632,801 S *	2/2011	Kyle	D24/219
D694,423 S *	11/2013	Klein	D24/219
D706,324 S *	6/2014	Watts	D15/147
D754,754 S *	4/2016	Wang	D15/9
D762,756 S *	8/2016	Eliasson	D15/147
2014/0315706 A1 *	10/2014	Knospe	B04B 1/2016 494/37
2017/0182502 A1 *	6/2017	Aagaard	B04B 1/20

- (**) Term: **15 Years**
- (21) Appl. No.: **29/636,819**

(22) Filed: **Feb. 12, 2018**

(30) **Foreign Application Priority Data**

Aug. 30, 2017 (EP) 004171742

(51) **LOC (12) Cl.** **24-01**

(52) **U.S. Cl.**
USPC **D24/219**

(58) **Field of Classification Search**
USPC D24/107, 169, 185, 186, 216-219,
D24/231-234; D10/81; D15/7, 147
CPC G01N 9/30; G01N 15/042; G01N 33/491;
B04B 5/02; B04B 5/10; B04B 7/02;
B04B 7/08; B04B 1/06
See application file for complete search history.

(56) **References Cited**

U.S. PATENT DOCUMENTS

D252,811 S *	9/1979	Arakawa	D15/7
D280,628 S *	9/1985	Besson	D15/147
D343,904 S *	2/1994	Silver	D24/219

* cited by examiner

Primary Examiner — Anhdao Doan

(74) *Attorney, Agent, or Firm* — Patent Portfolio Builders PLLC

(57) **CLAIM**

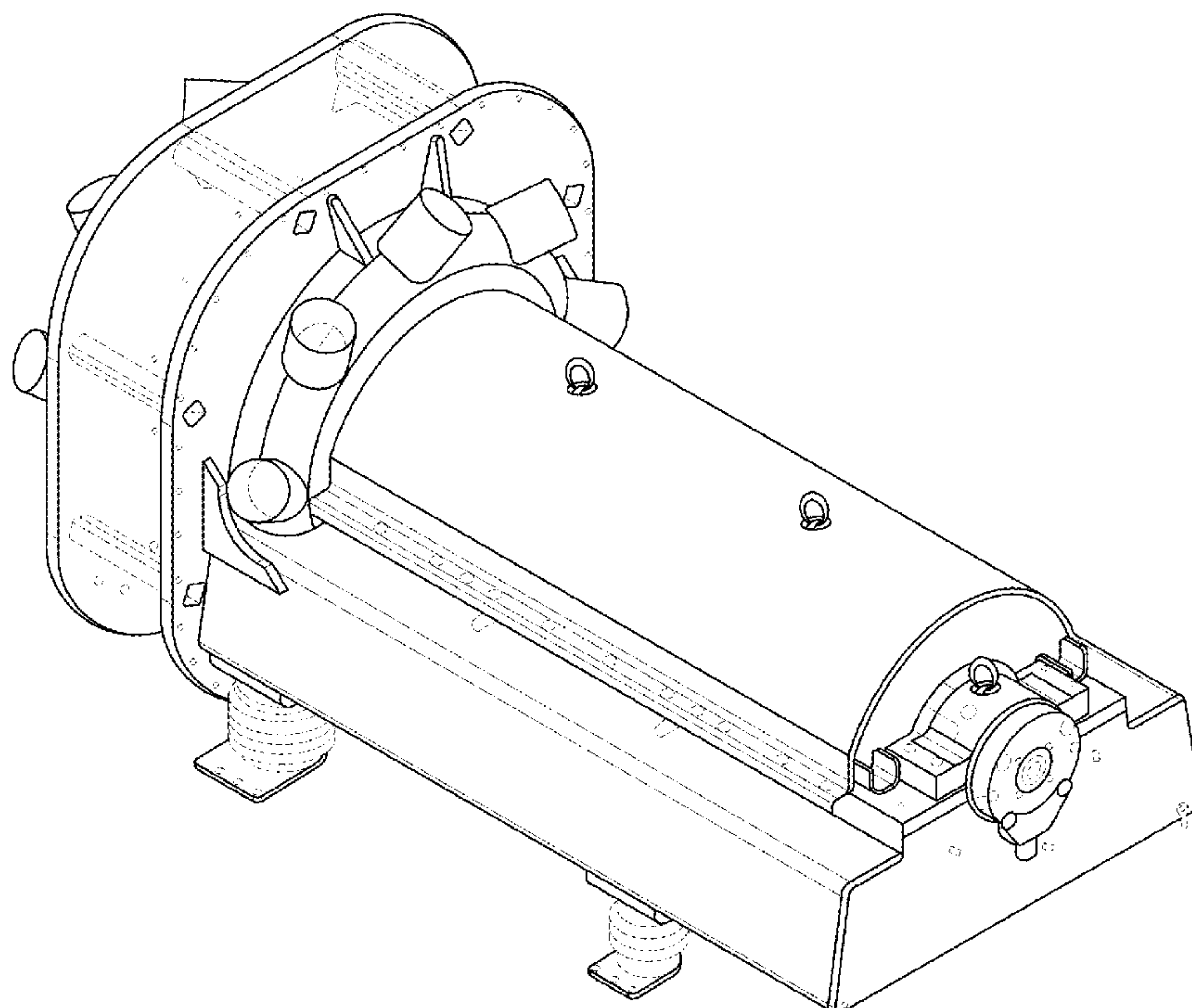
The ornamental design for a housing for a centrifuge, as shown and described.

DESCRIPTION

FIG. 1 is a perspective view of a housing for a centrifuge; FIG. 2 is a left side view of FIG. 1; FIG. 3 is a right side view of FIG. 1; FIG. 4 is a top view of FIG. 1; FIG. 5 is a bottom view of FIG. 1; FIG. 6 is a front view of FIG. 1; and, FIG. 7 is a rear view of FIG. 1.

The broken lines in the drawings depict portions of the housing for a centrifuge which form no part of the claimed design.

1 Claim, 7 Drawing Sheets



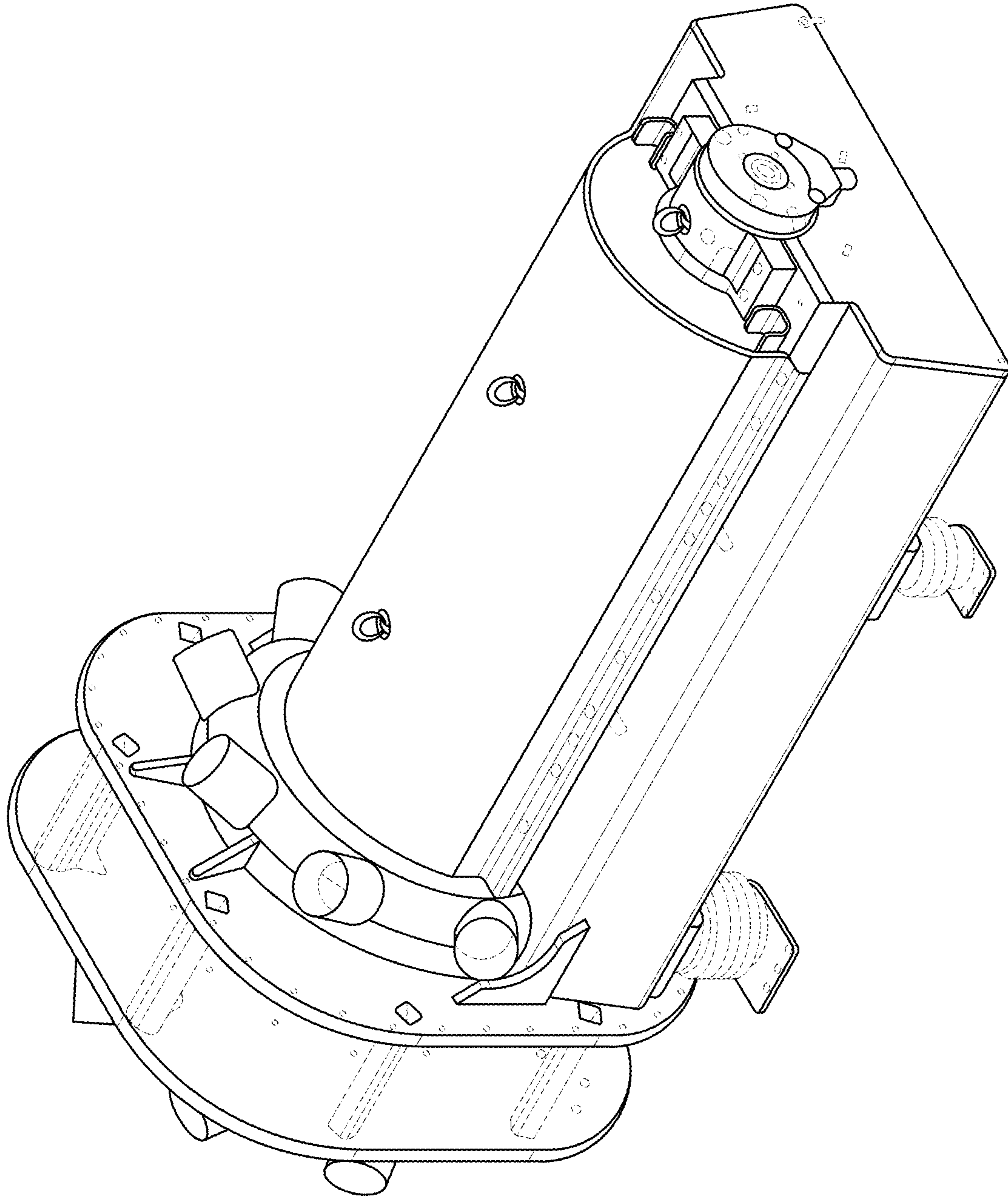


FIG. 1

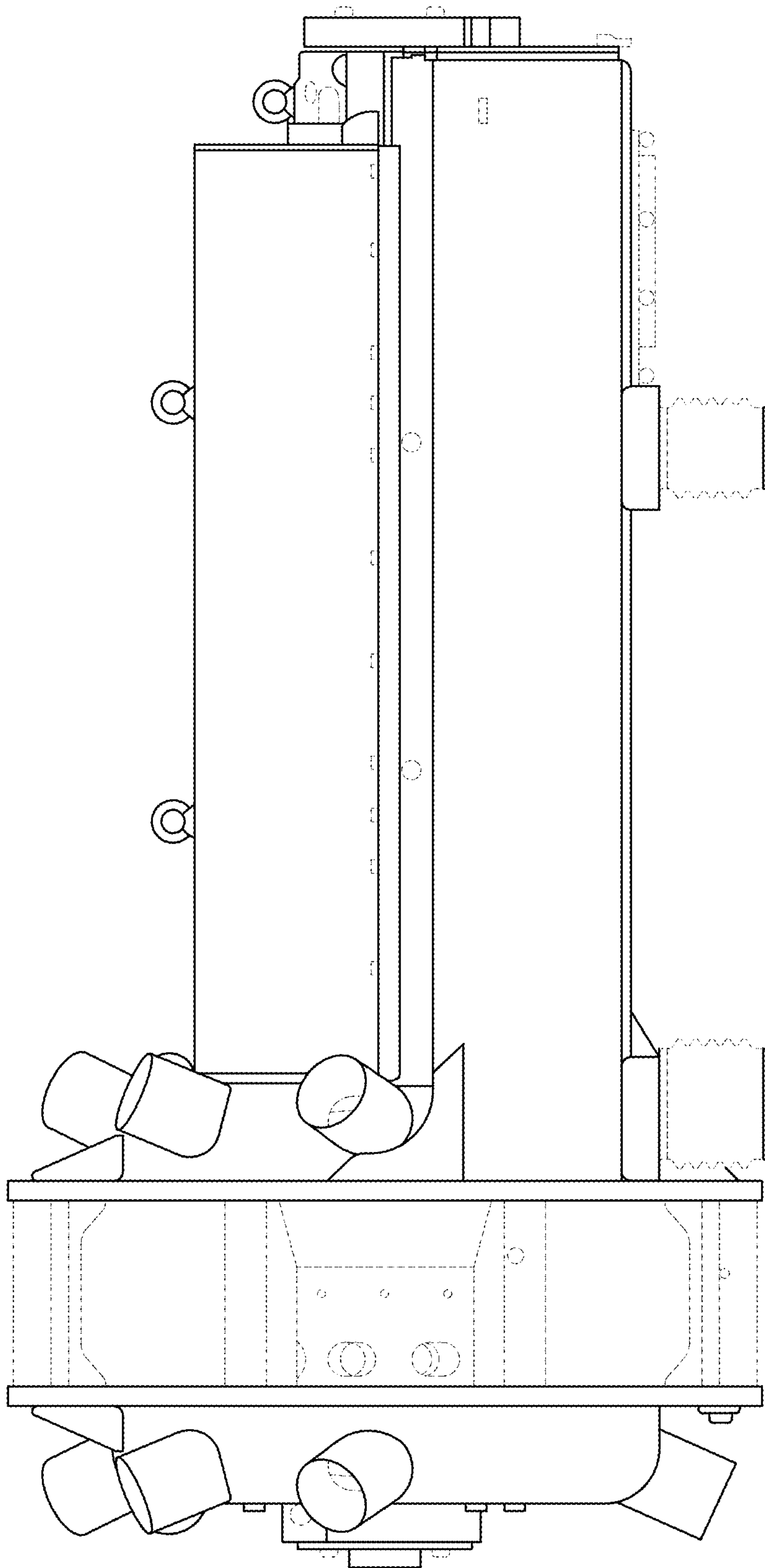


FIG. 2

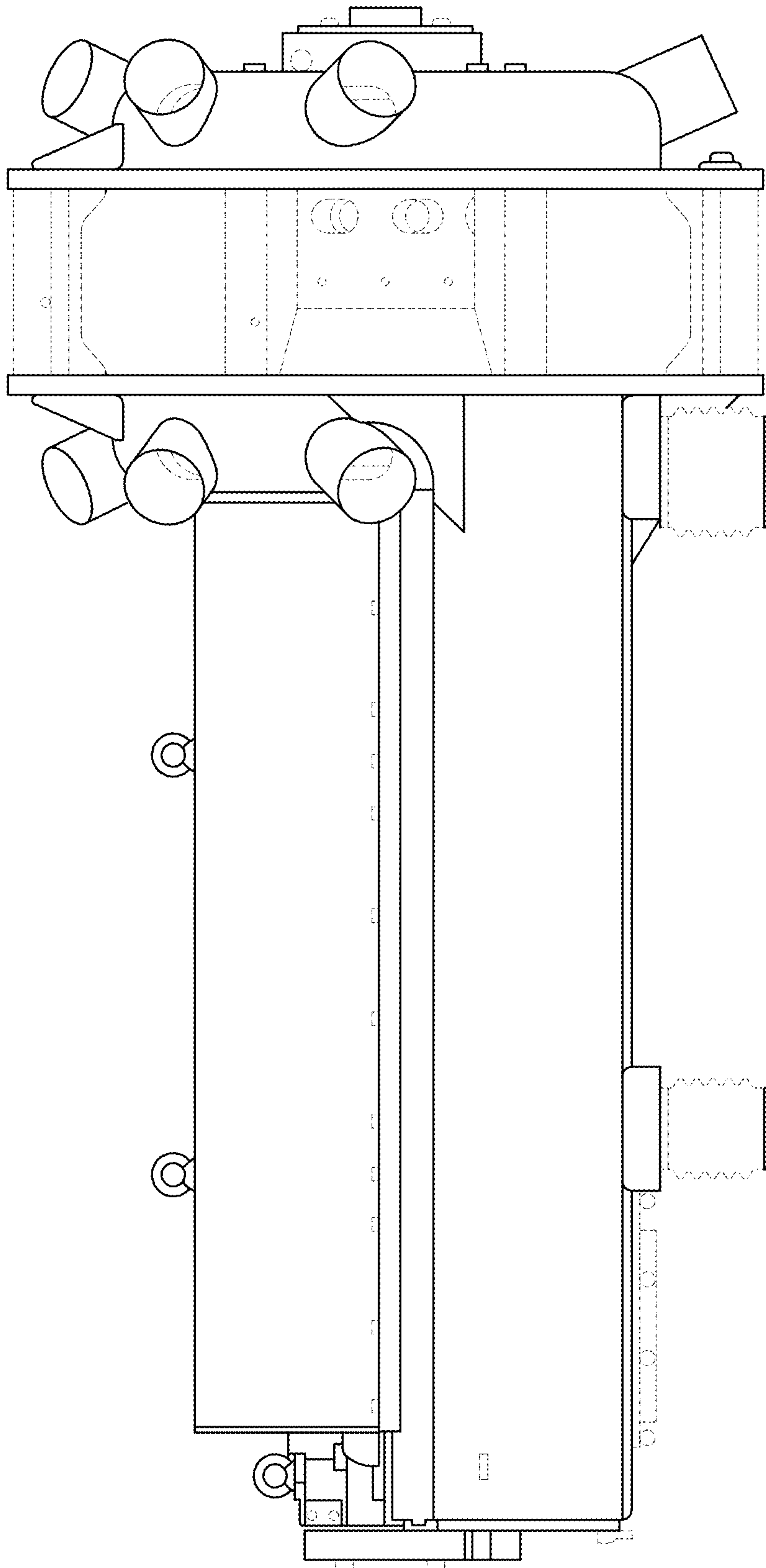


FIG. 3

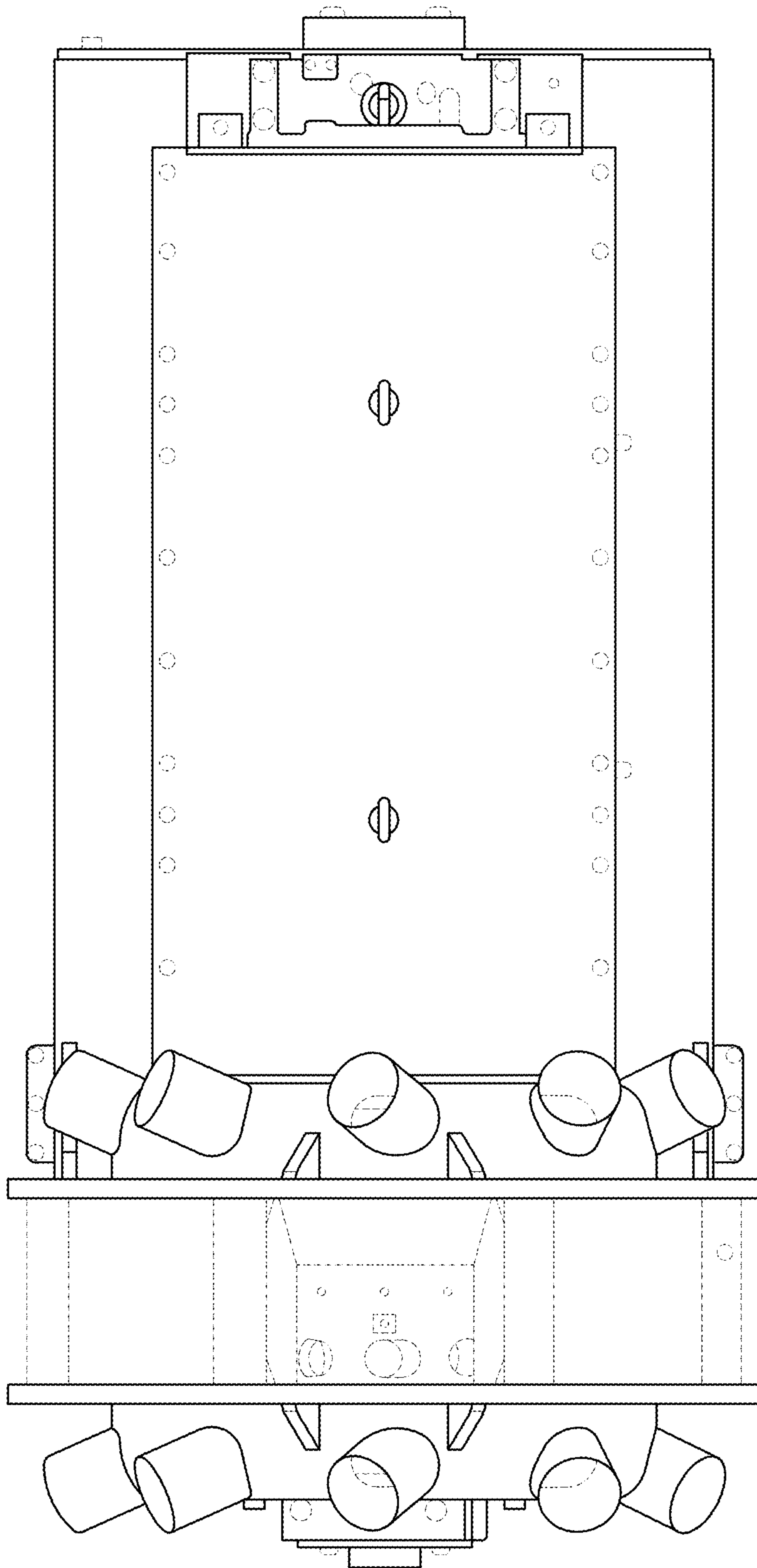


FIG. 4

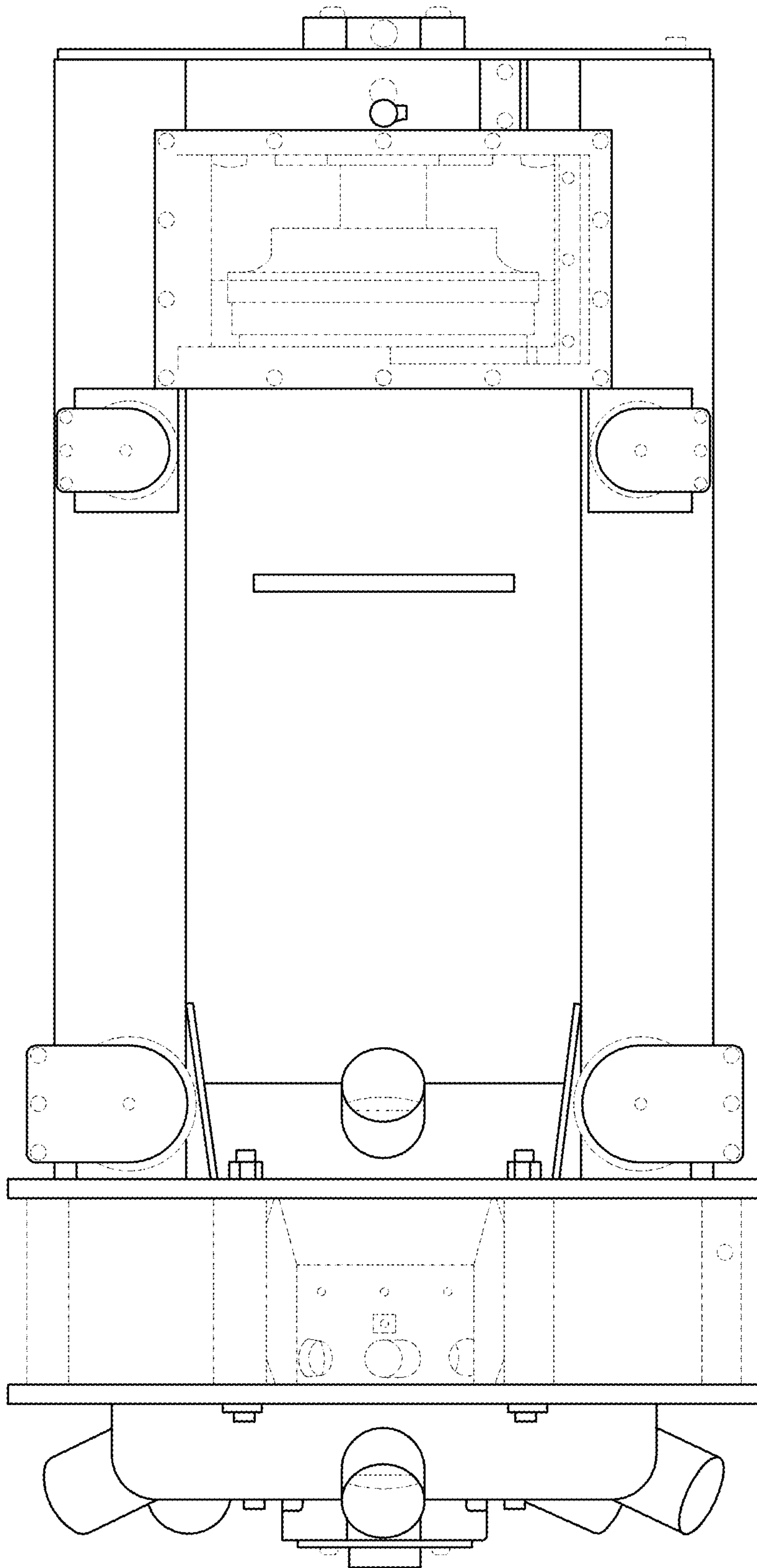


FIG. 5

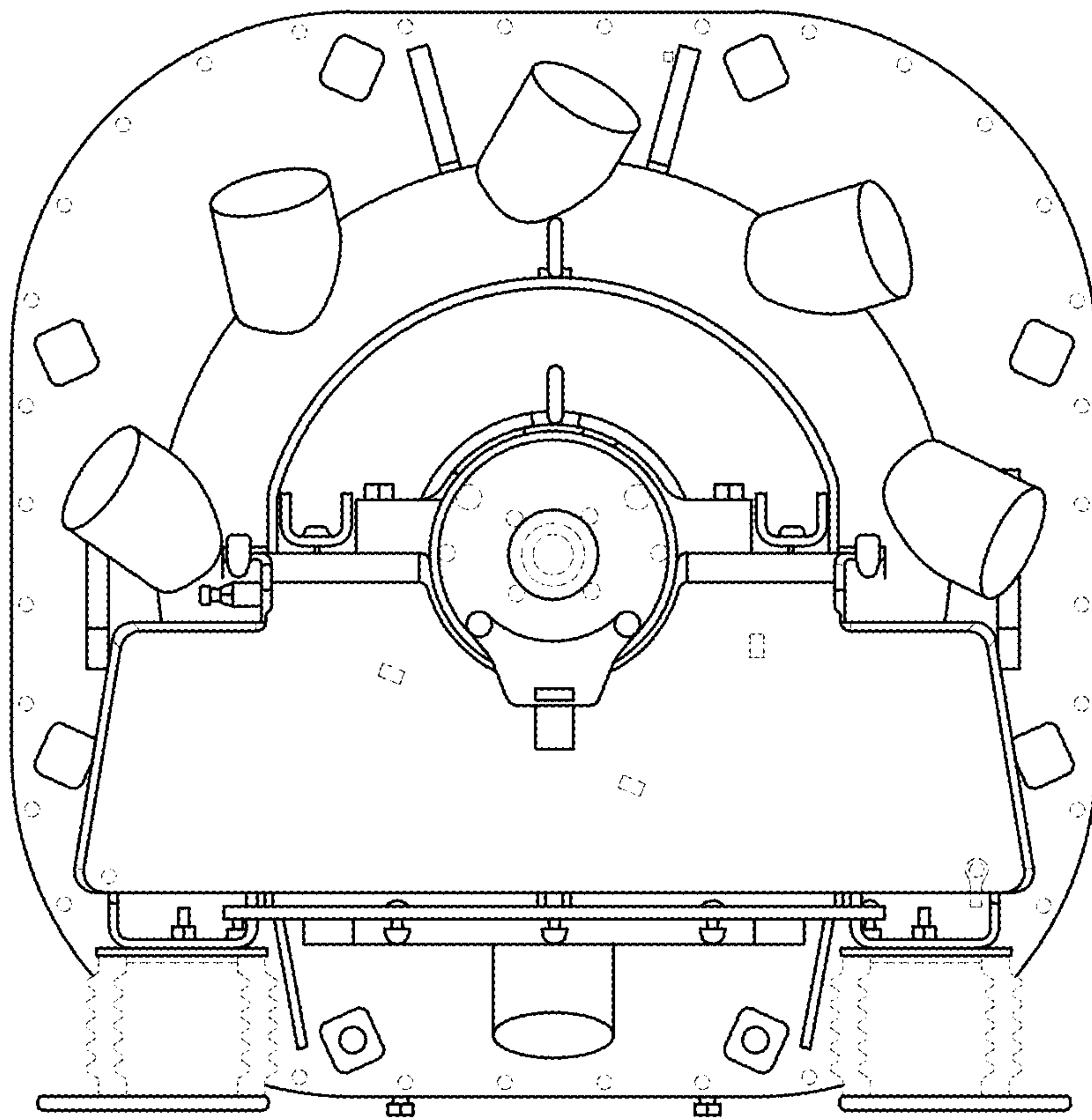


FIG. 6

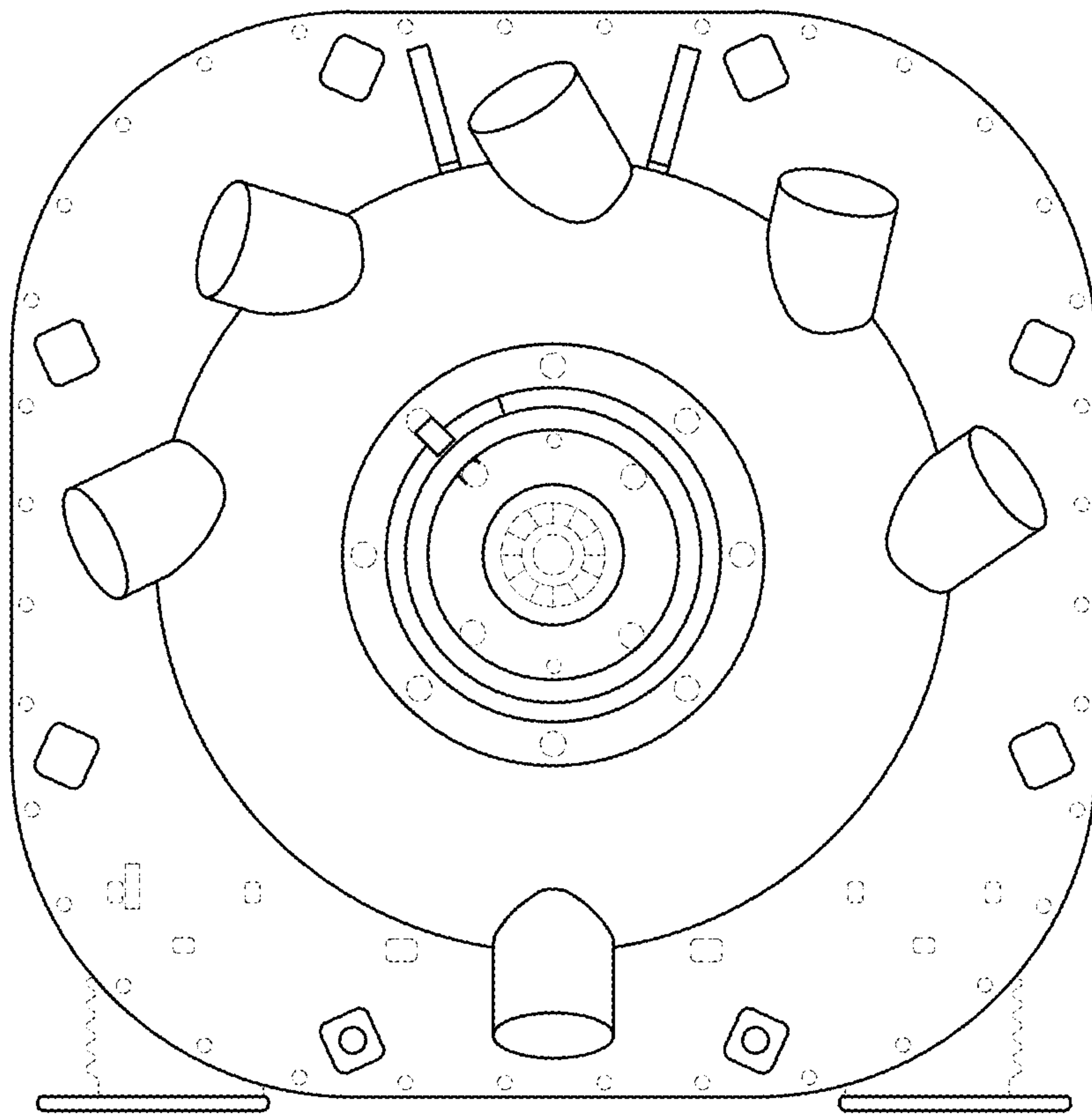


FIG. 7