



US00D893738S

(12) **United States Design Patent**
Zhuang

(10) **Patent No.:** **US D893,738 S**

(45) **Date of Patent:** **** Aug. 18, 2020**

(54) **HAND-HELD DEEP MUSCLE FASCIA
MASSAGE GUN**

(71) Applicant: **Kunxian Zhuang**, Puning (CN)

(72) Inventor: **Kunxian Zhuang**, Puning (CN)

(73) Assignee: **KUNXIAN ZHUANG**, Puning (CN)

(**) Term: **15 Years**

(21) Appl. No.: **29/674,850**

(22) Filed: **Dec. 26, 2018**

(51) **LOC (12) Cl.** **28-03**

(52) **U.S. Cl.**
USPC **D24/215**

(58) **Field of Classification Search**
USPC 601/15, 18, 19, 27, 28, 29, 30, 31, 32,
601/46, 47, 48, 52, 72, 99, 112, 113, 118,
601/135, 137, DIG. 12, DIG. 14, DIG. 15,
601/DIG. 16, DIG. 17; D24/200, 211,
D24/212, 213, 214, 215; D8/14.1;
607/85

CPC .. A61H 23/0254; A61H 1/008; A61H 23/006;
A61H 7/007

See application file for complete search history.

(56) **References Cited**

U.S. PATENT DOCUMENTS

- 1,594,636 A * 8/1926 Smith A61H 23/02
601/154
- 1,784,301 A * 12/1930 Mekler A61H 9/005
601/112
- 3,968,789 A * 7/1976 Simoncini A46B 13/04
601/95
- 4,691,693 A * 9/1987 Sato A61H 7/003
601/15
- 4,989,613 A * 2/1991 Finkenberg A61B 5/4504
600/552
- D329,291 S * 9/1992 Wollman D24/200
- D329,292 S * 9/1992 Wollman D24/200

- D331,467 S * 12/1992 Wollman D24/200
- D388,175 S * 12/1997 Lie D24/215
- 5,925,002 A * 7/1999 Wollman A61H 23/0263
601/46
- D430,938 S * 9/2000 Lee D24/214
- D448,852 S * 10/2001 Engelen D24/215

(Continued)

OTHER PUBLICATIONS

Walmart, "HURRISE Professional Deep Muscle Therapy Massage Gun", Sep. 12, 2019. <https://www.walmart.ca/en/ip/HURRISE-Professional-Deep-Muscle-Therapy-Massage-Gun-Percussion-Body-Relax-Massager-US-Plug-Therapy-Massage-Gun-Percussion-Massage-Gun/PRD72O9LQK7YUZL>. Shown on p. 1. (Year: 2019).*

Primary Examiner — Cynthia Ramirez

Assistant Examiner — Michael A Maharajh

(74) *Attorney, Agent, or Firm* — Law Offices of Steven W. Weinrieb

(57) **CLAIM**

The ornamental design for a hand-held deep muscle fascia massage gun, as shown and described.

DESCRIPTION

FIG. 1 is a front, right side, top perspective view of the hand-held deep muscle fascia massage gun showing my new design;

FIG. 2 is a rear, left side, bottom perspective view thereof;

FIG. 3 is a right side elevational view thereof;

FIG. 4 is a left side elevational view thereof;

FIG. 5 is a front elevational view thereof;

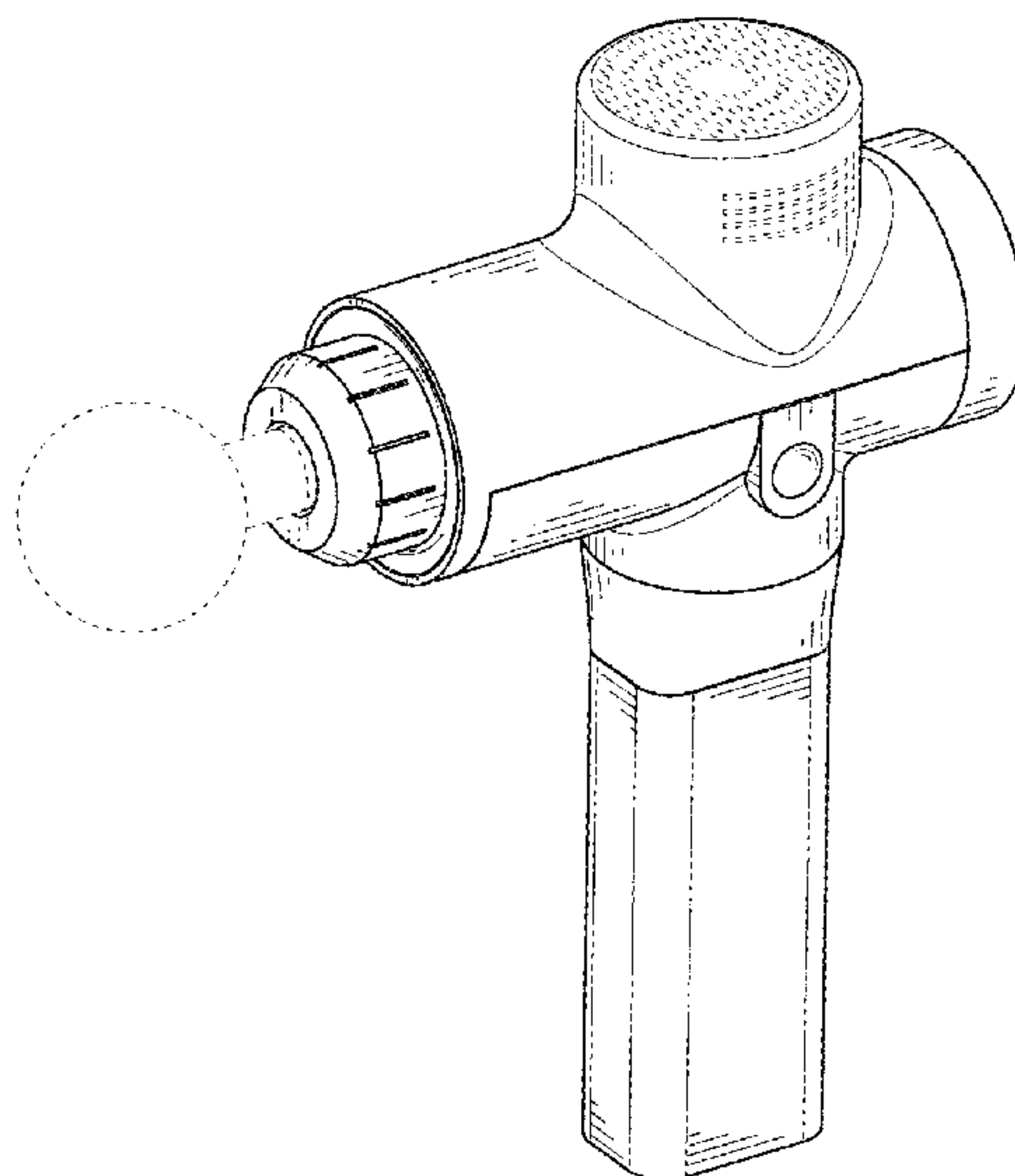
FIG. 6 is a rear elevational view thereof;

FIG. 7 is a top plan view thereof; and,

FIG. 8 is a bottom plan view thereof.

The broken lines immediately adjacent to the claimed portions are boundaries, all other broken lines are environmental structures; all the broken lines form no part of the claimed design.

1 Claim, 8 Drawing Sheets



(56)

References Cited

U.S. PATENT DOCUMENTS

6,401,289 B1 *	6/2002	Herbert	A61H 7/005	15/97.1		
D476,746 S *	7/2003	Harris	D24/214			
D531,733 S *	11/2006	Burout, III	D24/215			
D553,252 S *	10/2007	Masuda	D24/214			
D606,192 S *	12/2009	Summerer	D24/133			
D649,657 S *	11/2011	Petersen	D24/215			
D658,759 S *	5/2012	Marescaux	D24/133			
8,435,194 B2 *	5/2013	Dverin	A61B 18/14	601/112		
D703,337 S *	4/2014	Fuhr	D24/200			
D706,433 S *	6/2014	Fuhr	D24/200			
D708,742 S *	7/2014	Dallemagne	D24/133			
D734,863 S *	7/2015	Hennessey	D24/214			
D735,348 S *	7/2015	Hennessey	D24/211			
D759,237 S *	6/2016	Heath	D24/133			
D759,238 S *	6/2016	Heath	D24/133			
D763,442 S *	8/2016	Price	D24/133			
D778,439 S *	2/2017	Hakansson	D24/133			
D819,221 S *	5/2018	Lei	D24/200			
D823,478 S *	7/2018	Park	D24/215			
D837,395 S *	1/2019	Gan	D24/214			
D838,378 S *	1/2019	Cao	D24/215			
D840,547 S *	2/2019	Harle	D24/214			
D842,491 S *	3/2019	Fleming	D24/215			
D843,656 S *	3/2019	Zhang	D24/209			
D844,896 S *	4/2019	Levi	D24/133			
D847,362 S *	4/2019	Tang	D24/215			
D847,364 S *	4/2019	Lee	D24/215			
						D847,990 S *	5/2019 Kimball D24/145
						10,314,762 B1 *	6/2019 Marton A61H 23/006
						10,357,425 B2 *	7/2019 Wersland
						D855,822 S *	8/2019 Marton D24/215
						2002/0177795 A1 *	11/2002 Frye A61H 1/008
							601/84
						2002/0188233 A1 *	12/2002 Denyes A61H 19/34
							601/46
						2003/0195443 A1 *	10/2003 Miller A61H 1/008
							601/108
						2005/0131461 A1 *	6/2005 Tucek A61H 1/008
							601/108
						2006/0116614 A1 *	6/2006 Jones A61H 15/0085
							601/80
						2006/0211961 A1 *	9/2006 Meyer A61H 7/005
							601/73
						2010/0145242 A1 *	6/2010 Tsai A61H 7/004
							601/108
						2010/0160841 A1 *	6/2010 Wu A61H 7/004
							601/135
						2010/0274162 A1 *	10/2010 Evans A61F 7/007
							601/15
						2014/0221887 A1 *	8/2014 Wu A61H 15/0092
							601/112
						2015/0119771 A1 *	4/2015 Roberts A61H 39/04
							601/135
						2018/0154141 A1 *	6/2018 Ahn A61H 39/08
						2018/0200141 A1 *	7/2018 Wersland A61H 1/008
						2019/0175434 A1 *	6/2019 Zhang A61H 1/008
						2019/0254921 A1 *	8/2019 Marton A61H 23/006
						2019/0254922 A1 *	8/2019 Marton A61H 23/006

* cited by examiner

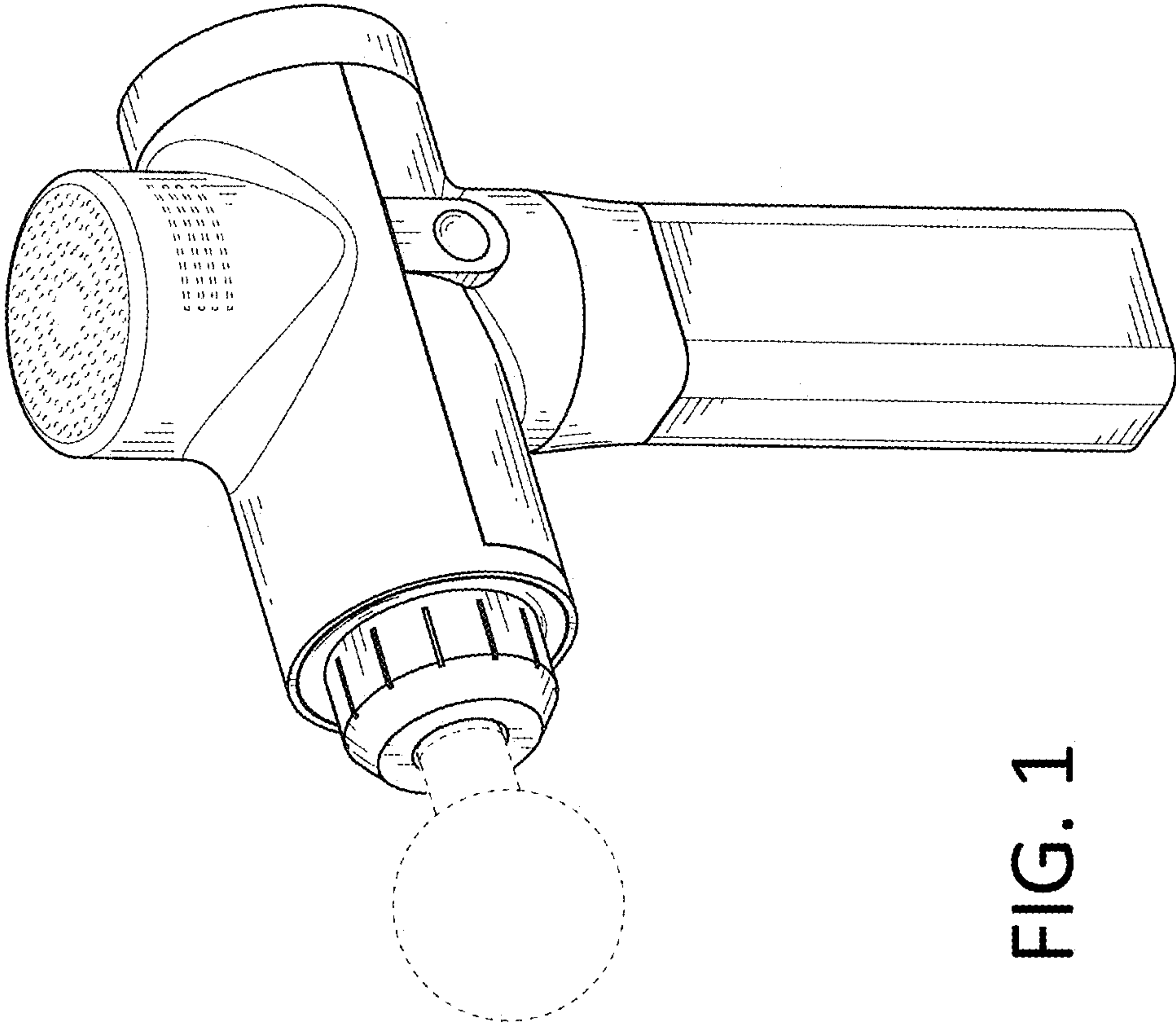


FIG. 1

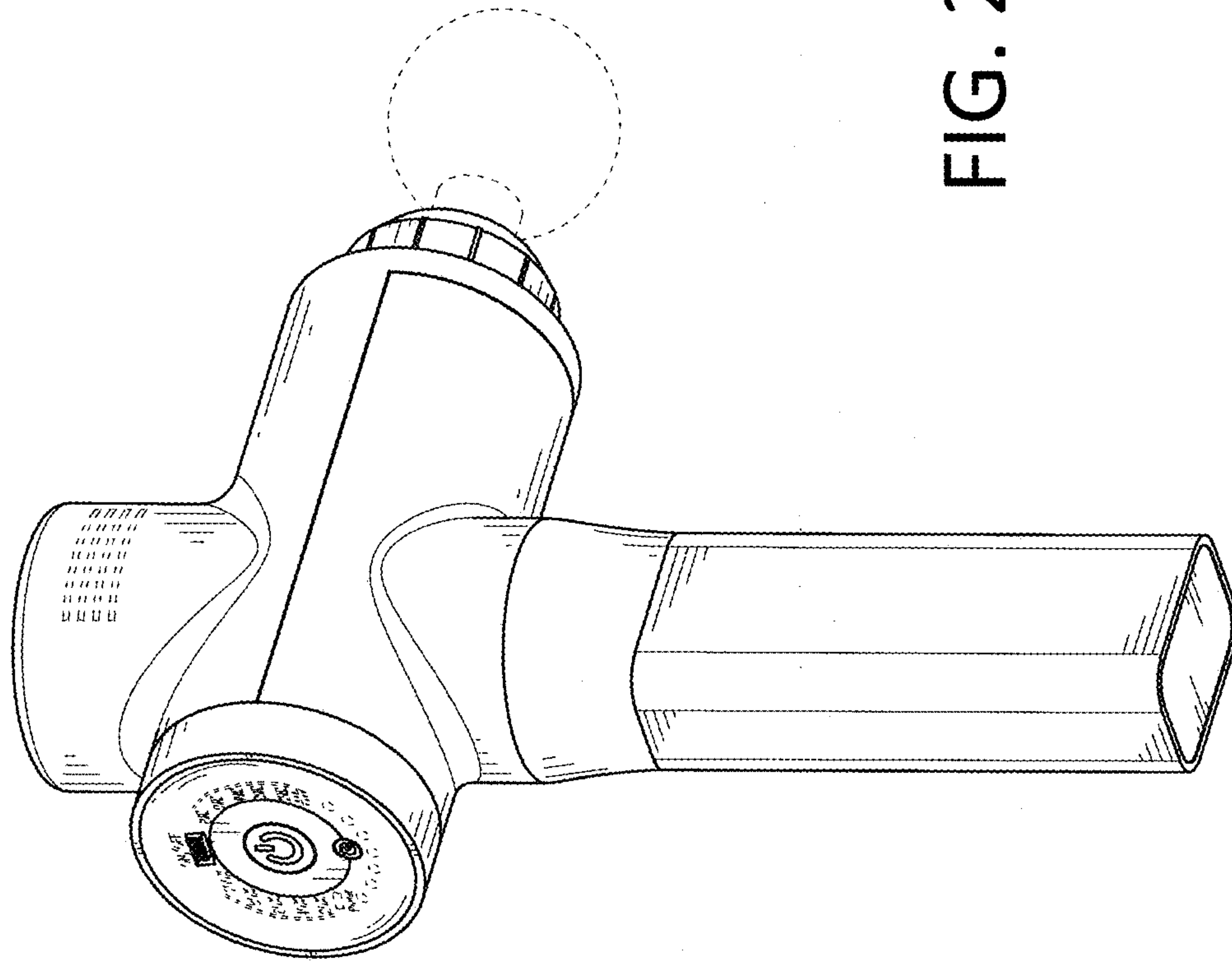


FIG. 2

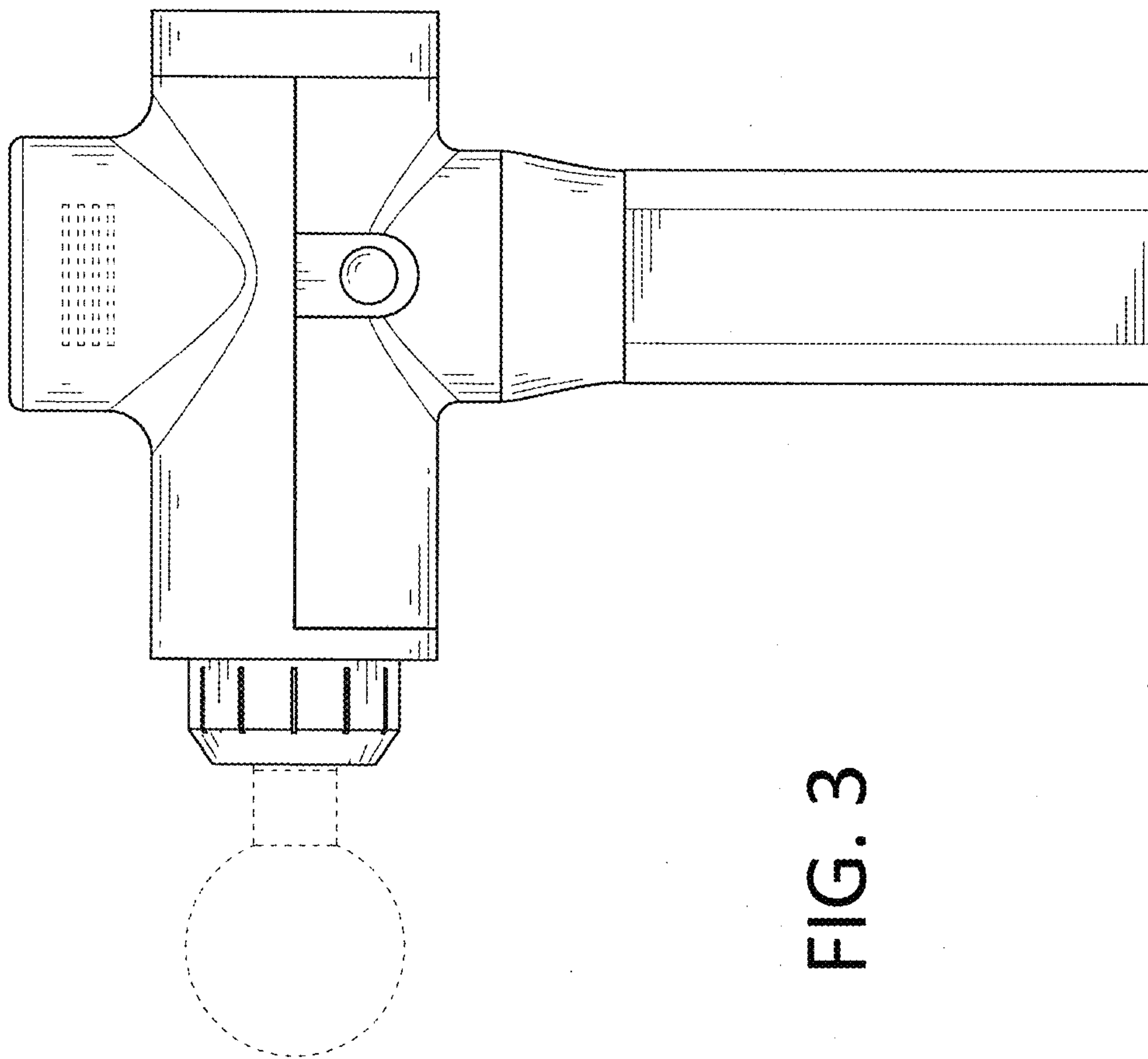


FIG. 3

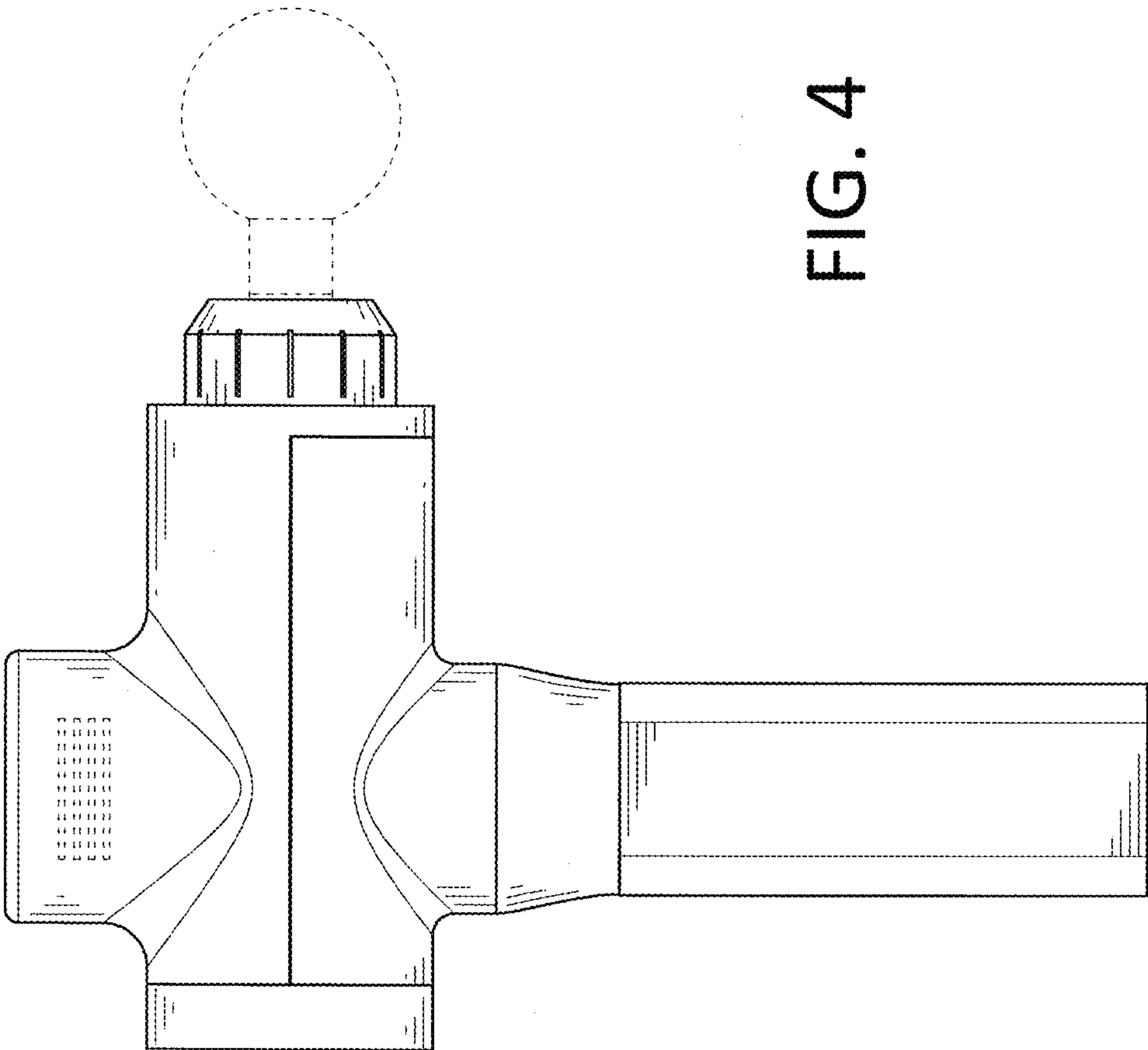


FIG. 4

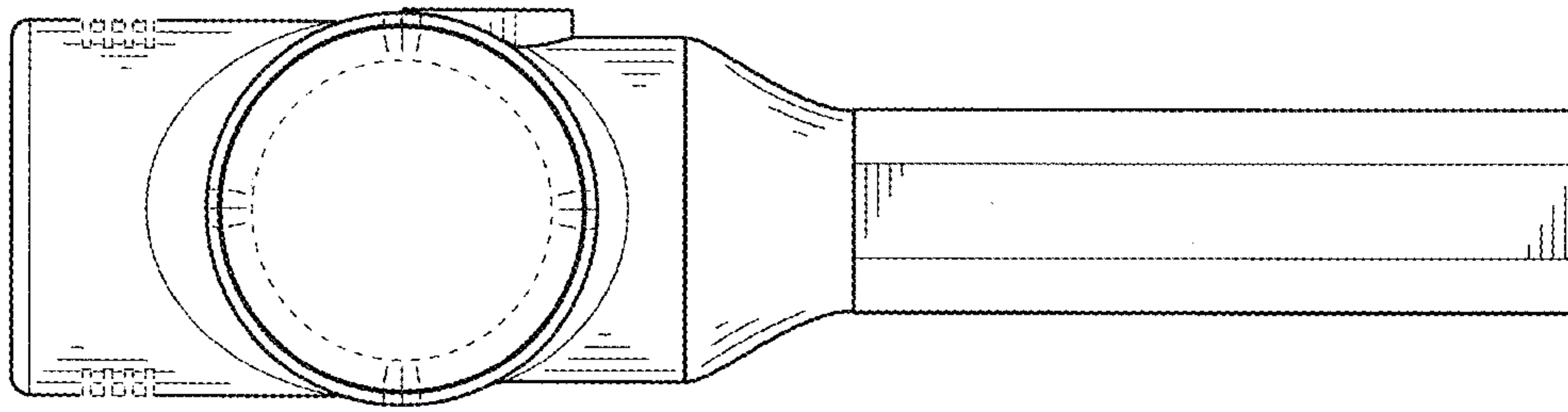


FIG. 5

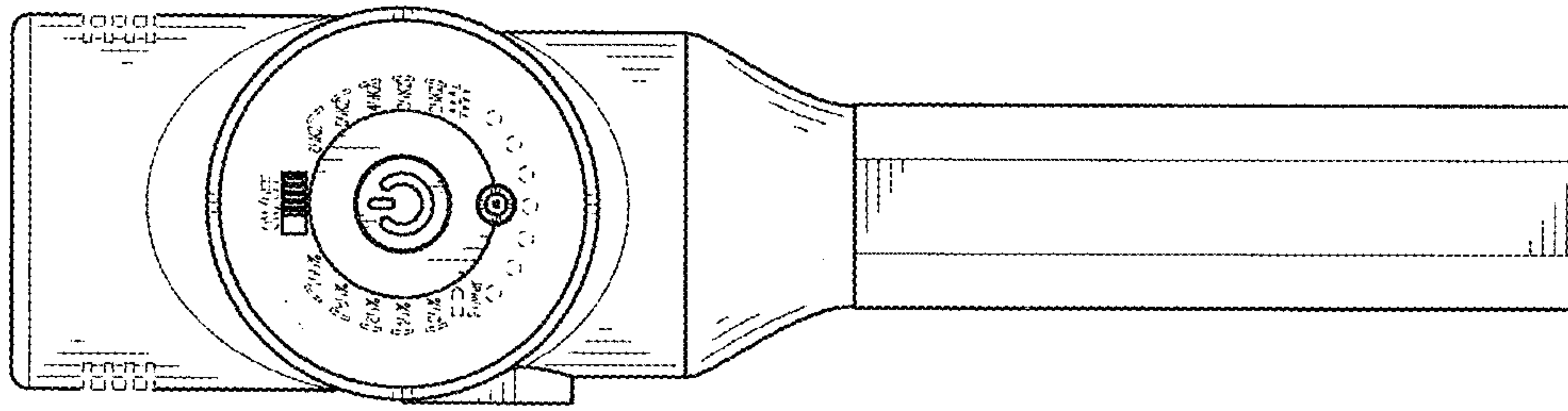


FIG. 6

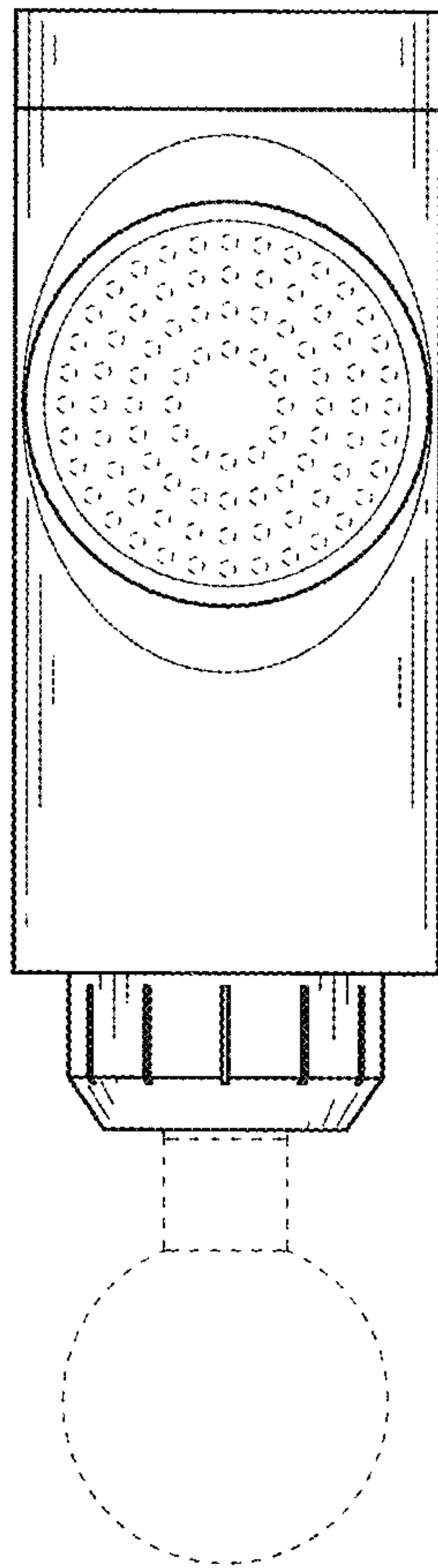


FIG. 7

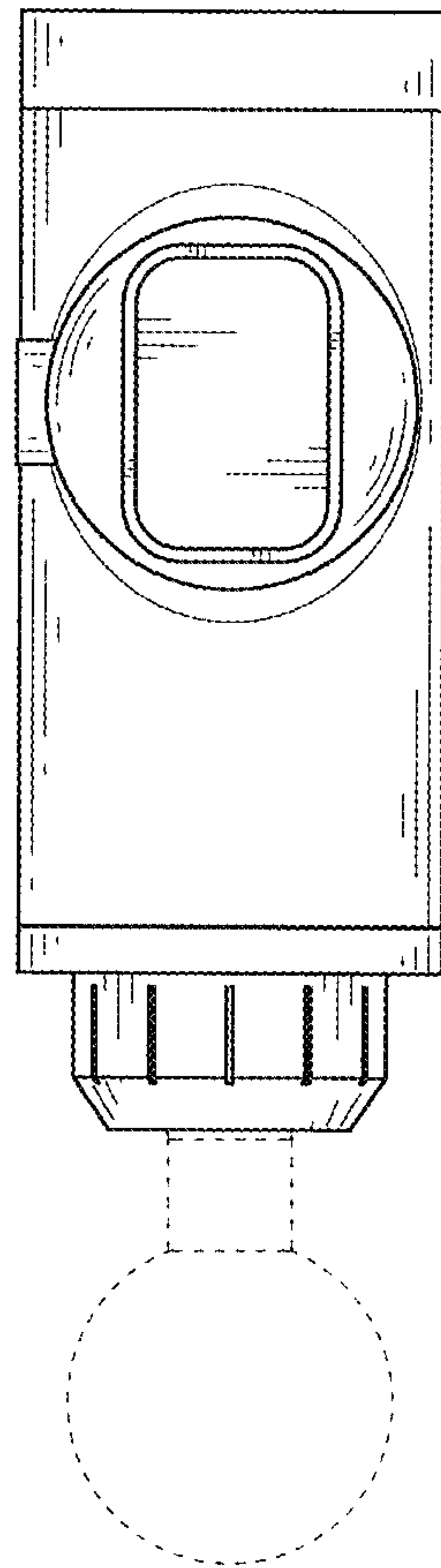


FIG. 8