



US00D893732S

(12) **United States Design Patent** (10) **Patent No.:** **US D893,732 S**
Marcher et al. (45) **Date of Patent:** **** Aug. 18, 2020**

(54) **EAR TIP FOR HEARING AID**
(71) Applicant: **Widex A/S**, Lyngø (DK)
(72) Inventors: **Ib Marcher**, Herlev (DK); **Kasper Holkved Rasmussen**, Bronshøj (DK)
(73) Assignee: **Widex A/S**, Lyngø (DK)
(**) Term: **15 Years**

2005/0244026 A1 11/2005 Nielsen et al.
2006/0067551 A1 3/2006 Cartwright et al.
2010/0135517 A1 6/2010 Murozaki et al.
2011/0051979 A1 3/2011 Lee et al.
2011/0135120 A1 6/2011 Larsen et al.
2015/0049896 A1 2/2015 Blanchard
2016/0066110 A1 3/2016 Shennib et al.
2017/0195807 A1 7/2017 Higgins et al.
2017/0195808 A1 7/2017 Higgins et al.
2018/0317031 A1* 11/2018 Karamuk H04R 25/456
2018/0367926 A1* 12/2018 Marcher H04R 25/652

(21) Appl. No.: **29/653,085**
(22) Filed: **Jun. 12, 2018**
(51) **LOC (12) Cl.** **24-99**
(52) **U.S. Cl.**
USPC **D24/174**
(58) **Field of Classification Search**
USPC D24/106, 151, 173–175, 186, 200, 231;
D14/205, 223, 224, 225, 226, 249
CPC .. H04R 2225/025; H04R 25/60; H04R 25/63;
H04R 25/67; H04R 25/602; H04R
25/604; H04R 25/608; H04R 25/65;
H04R 25/652; H04R 1/105; H04R 1/75
See application file for complete search history.

FOREIGN PATENT DOCUMENTS

DE 102010022324 A1 12/2011
WO 02/078392 A2 10/2002
WO 2006/094502 A1 9/2006
WO 2014/146702 A1 9/2014

* cited by examiner

Primary Examiner — Anhdao Doan
(74) *Attorney, Agent, or Firm* — Sughrue Mion, PLLC

(57) **CLAIM**

The ornamental design for an ear tip for hearing aid, as shown and described.

DESCRIPTION

FIG. 1 is a top view of an ear tip according to the invention; FIG. 2 is a side view thereof; FIG. 3 is another side view thereof; FIG. 4 is a bottom view thereof; FIG. 5 is a top perspective view thereof; FIG. 6 is a bottom perspective view thereof; and, FIG. 7 is another bottom perspective view thereof. The broken lines in FIG. 4 show portions of the ear tip for hearing aid that form no part of the claimed design; the broken lines form no part of the claimed design.

1 Claim, 4 Drawing Sheets

(56) **References Cited**
U.S. PATENT DOCUMENTS

3,935,401 A 1/1976 Shore et al.
4,852,684 A 8/1989 Packard
7,602,933 B2 10/2009 Cartwright et al.
D643,415 S * 8/2011 Vasquez D14/223
D676,415 S * 2/2013 Erdel D14/205
9,094,756 B2 7/2015 Stiehl et al.
D756,970 S * 5/2016 Ferber D14/223
D794,612 S * 8/2017 Katopis D14/223
D808,365 S * 1/2018 Katopis D14/223
D829,321 S * 9/2018 Marinissen D24/106
D846,729 S * 4/2019 Qu D24/106

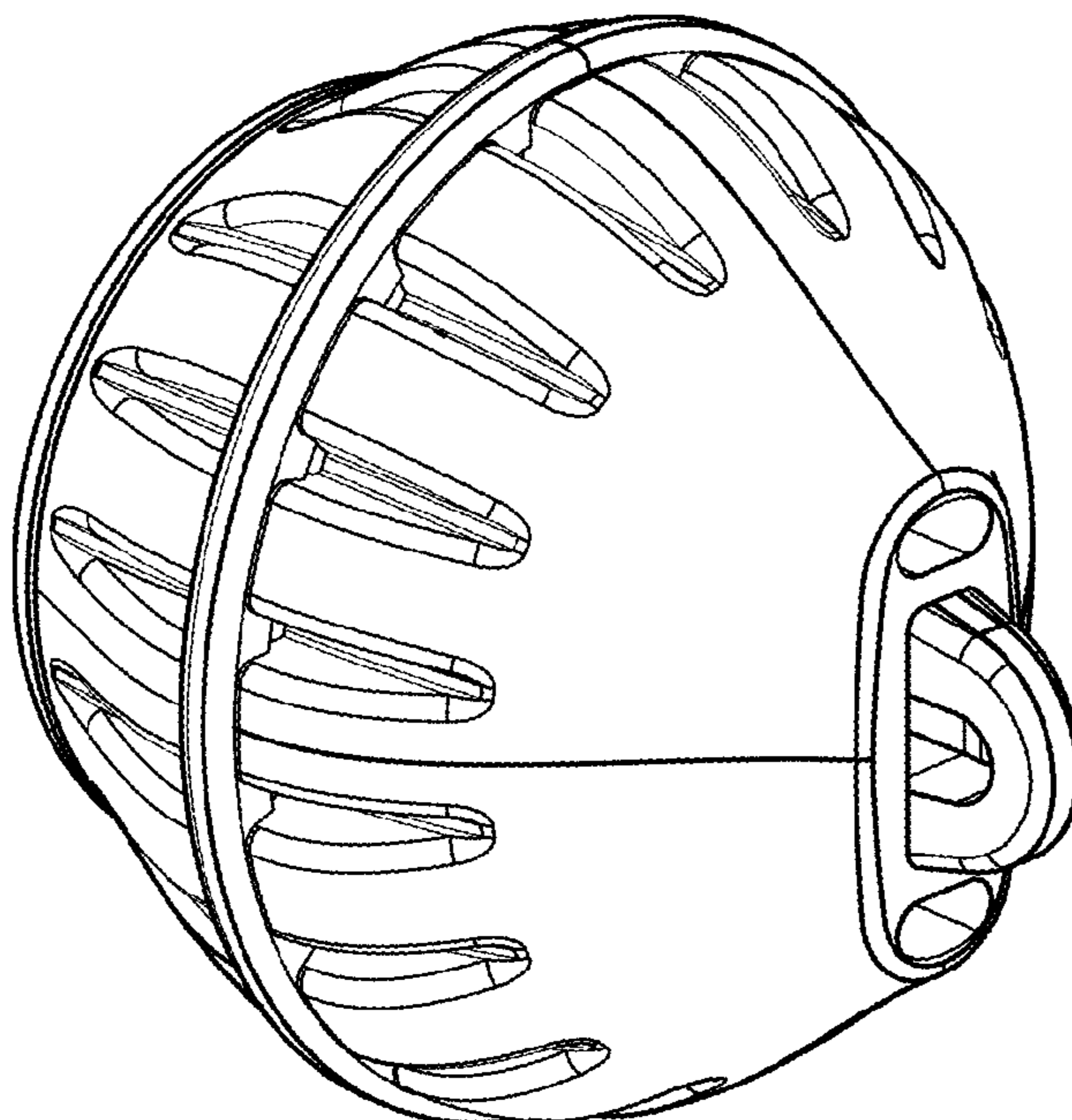


FIG. 1

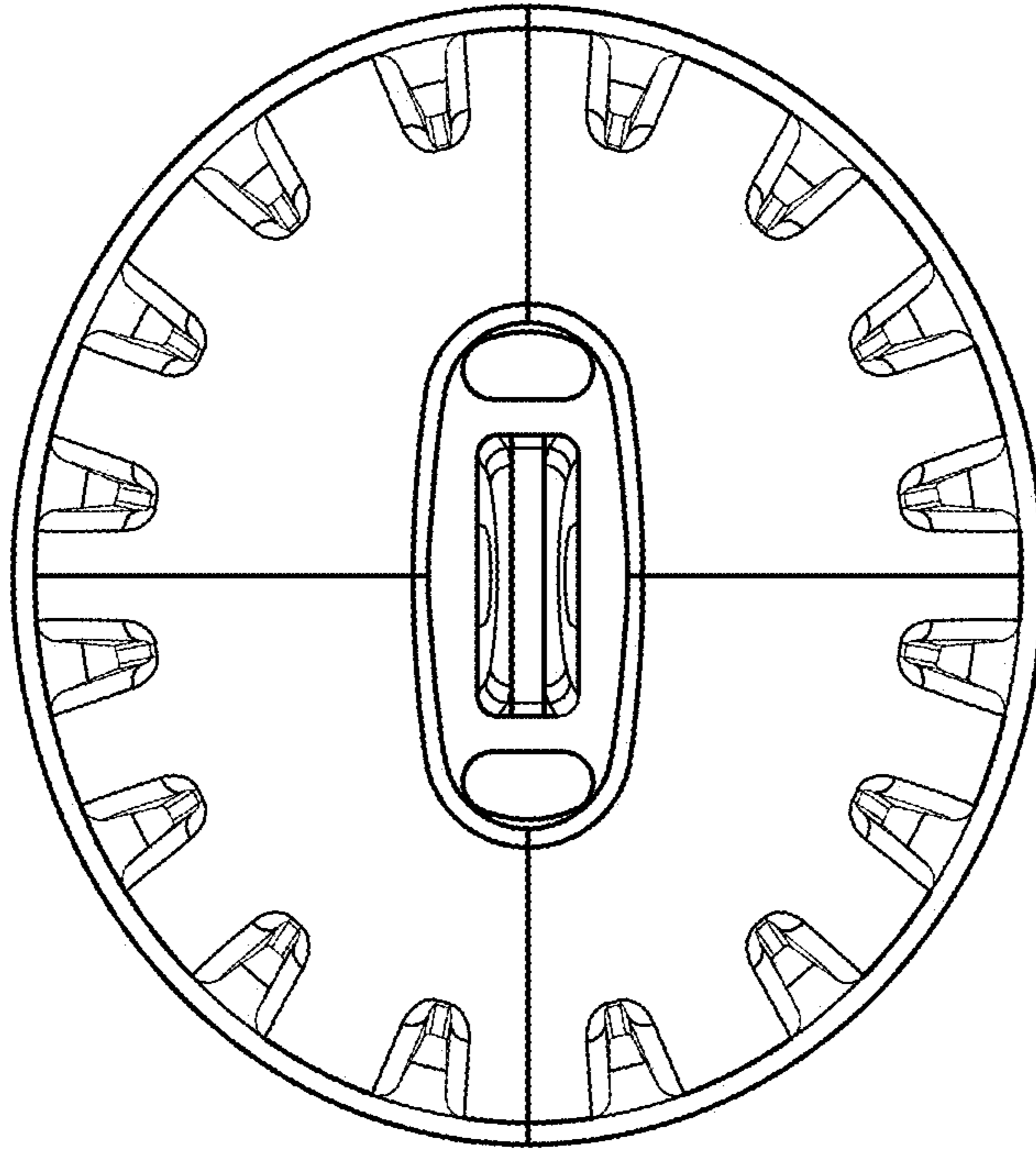


FIG. 2

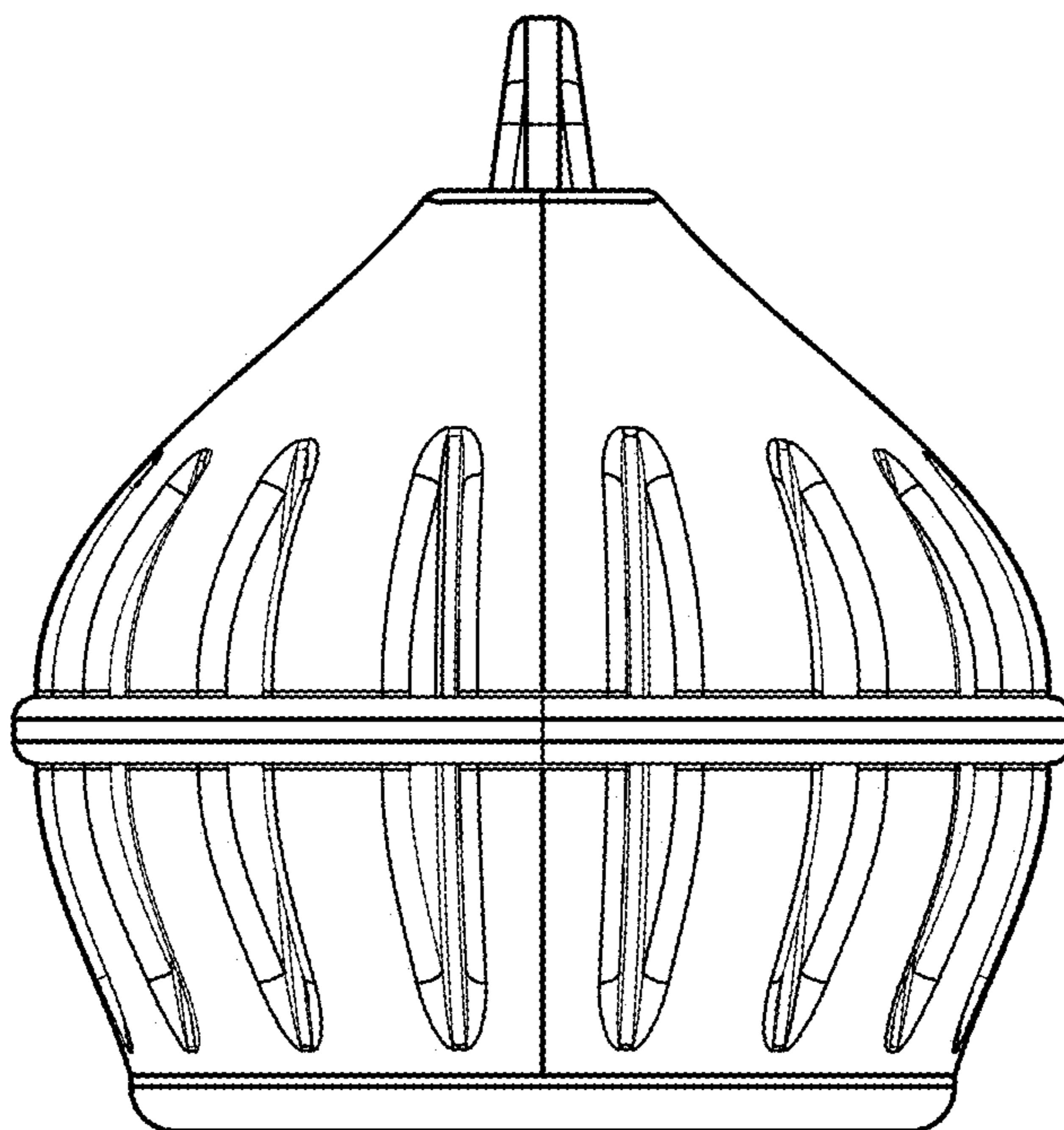


FIG. 3

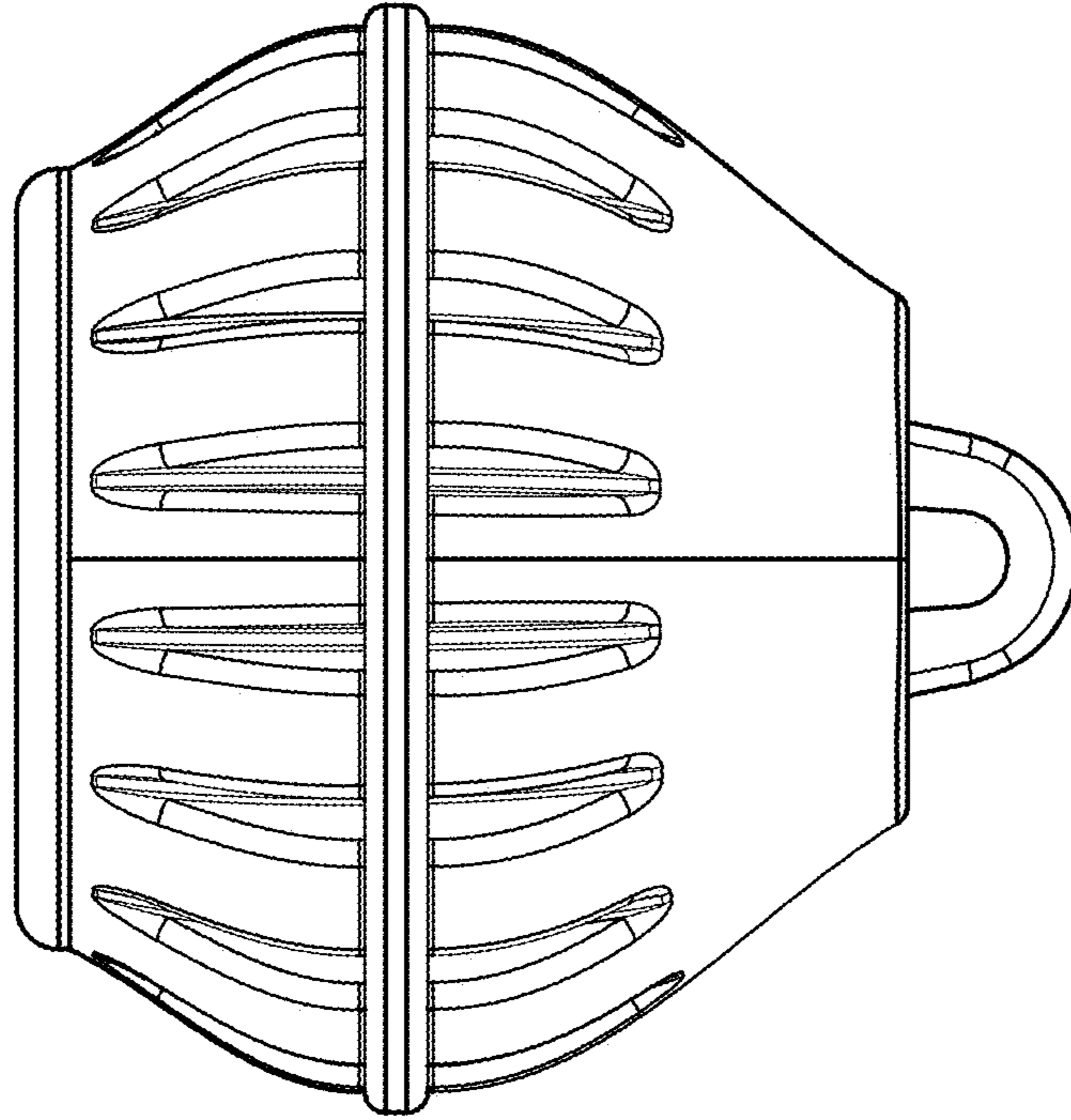


FIG. 4

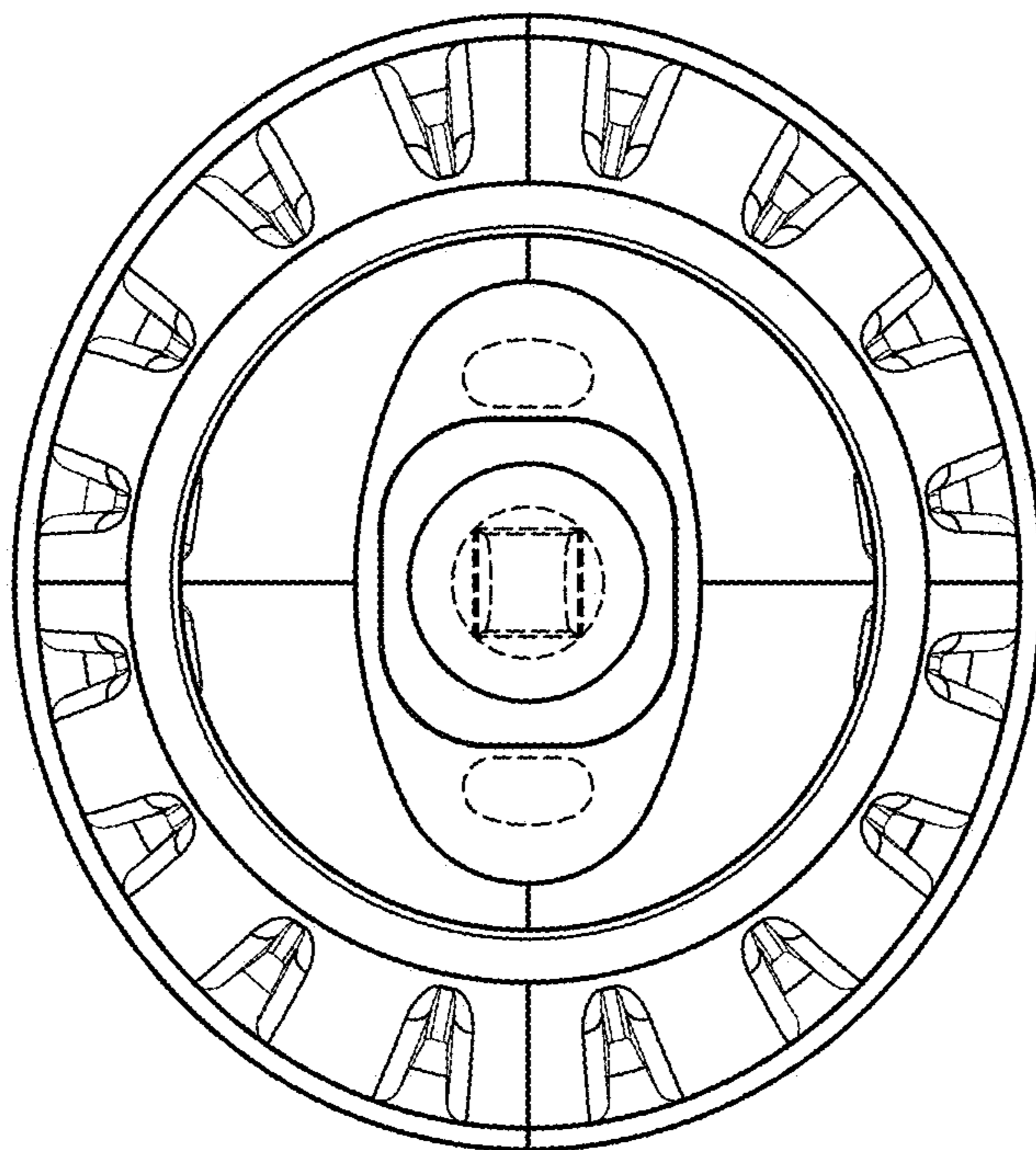


FIG. 5

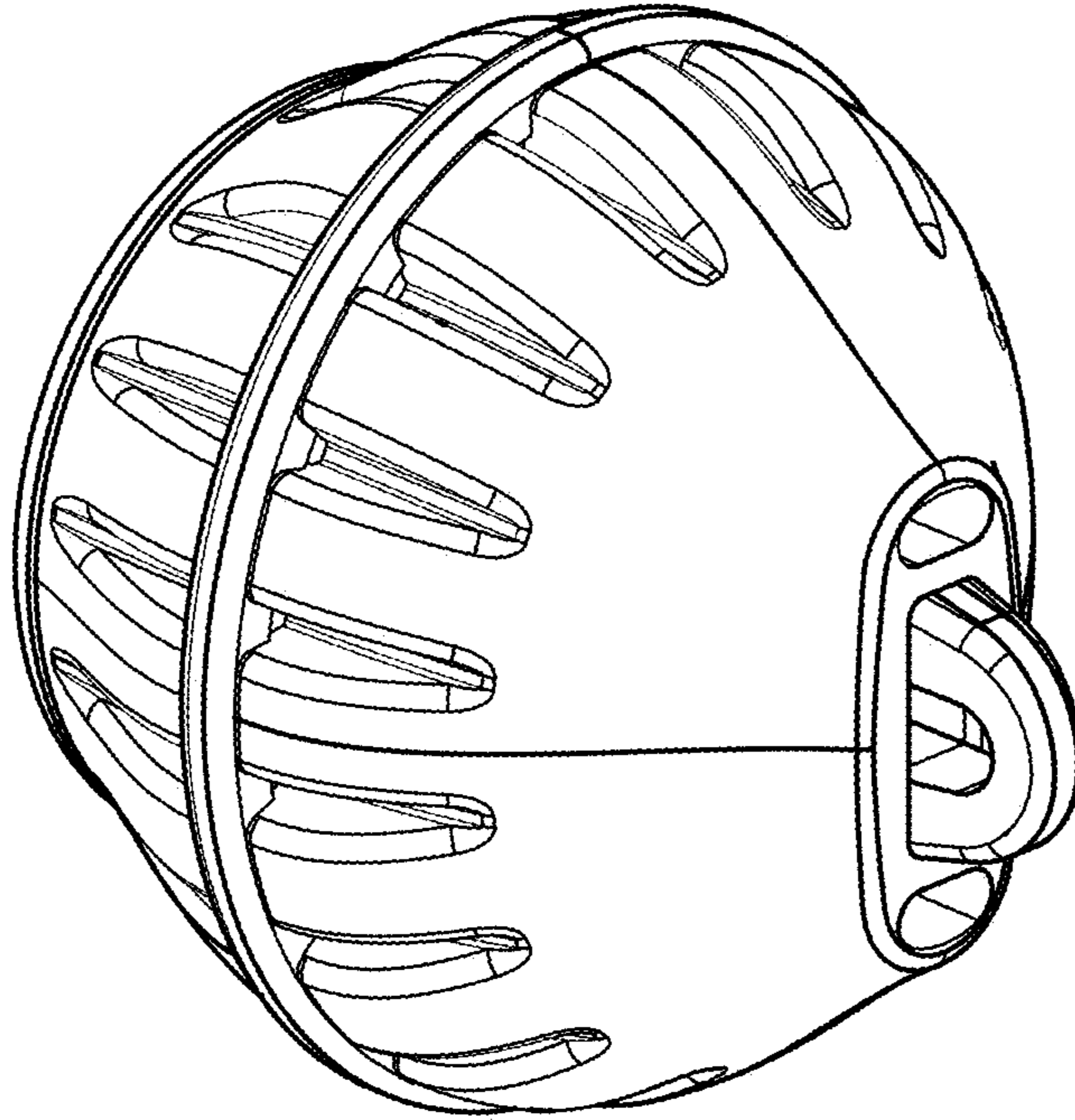


FIG. 6

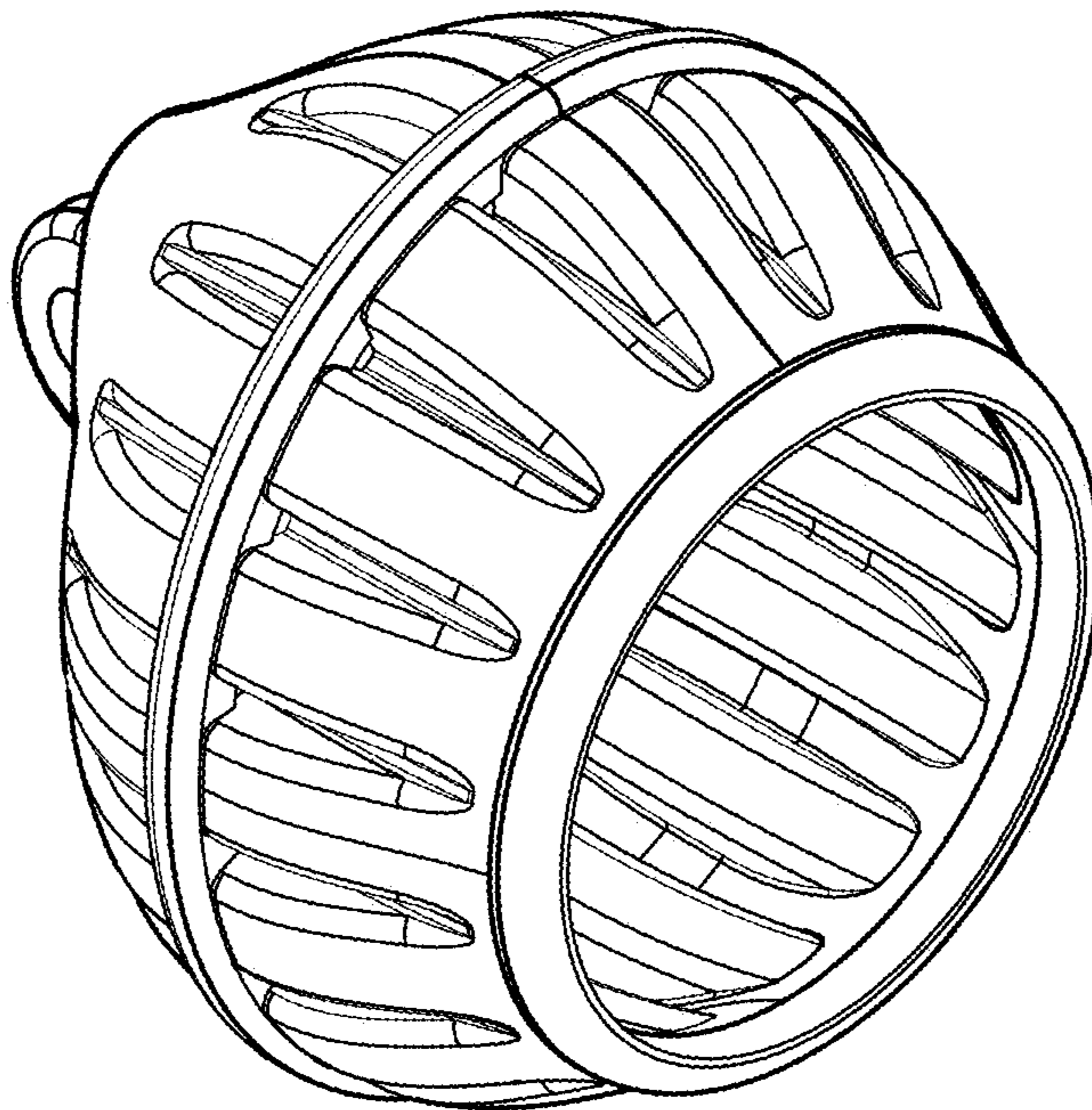


FIG. 7

