



US00D893730S

(12) **United States Design Patent**  
**Chun et al.**

(10) **Patent No.:** **US D893,730 S**

(45) **Date of Patent:** **\*\* Aug. 18, 2020**

(54) **BIOSTIMULATOR LOADING TOOL**

(71) Applicant: **Pacesetter, Inc.**, Sylmar, CA (US)

(72) Inventors: **Byron Lihwah Chun**, San Francisco, CA (US); **Sondra Orts**, Sunnyvale, CA (US); **Wade Keller**, Aliso Viejo, CA (US); **Stephanie M. Raymond**, Porter Ranch, CA (US); **Thomas B. Eby**, Mountain View, CA (US)

(73) Assignee: **PACASETTER, INC.**, Sylmar, CA (US)

(\*\*) Term: **15 Years**

(21) Appl. No.: **29/684,374**

(22) Filed: **Mar. 20, 2019**

(51) **LOC (12) Cl.** ..... **24-01**

(52) **U.S. Cl.**  
USPC ..... **D24/167**

(58) **Field of Classification Search**  
USPC ..... D24/107, 164–167, 186, 187, 200, 133;  
D10/75  
CPC . A61B 5/0402; A61B 5/0404; A61B 5/04085;  
A61B 5/0416; A61B 5/0432; A61B  
5/044; A61B 5/6805; A61B 5/6823; A61B  
2560/0412; A61B 2560/0462; A61B  
17/3468; A61B 1/372; A61B 1/3756;  
A61B 2017/22035  
See application file for complete search history.

(56) **References Cited**

**U.S. PATENT DOCUMENTS**

D394,109 S \* 5/1998 Miller ..... D24/133  
6,647,292 B1 \* 11/2003 Bardy ..... A61N 1/375  
607/119  
D592,747 S \* 5/2009 Weiler ..... D24/133

D642,680 S \* 8/2011 Brucker ..... D24/133  
D691,274 S \* 10/2013 Buckels ..... D24/167  
2002/0103510 A1 \* 8/2002 Bardy ..... A61N 1/375  
607/5  
2010/0023095 A1 \* 1/2010 Stevenson ..... A61N 1/08  
607/63  
2010/0152799 A1 \* 6/2010 Sanghera ..... A61N 1/0504  
607/5  
2014/0275919 A1 \* 9/2014 Katra ..... A61B 5/0031  
600/374  
2017/0105762 A1 \* 4/2017 Bloom ..... A61B 17/3468  
2017/0106185 A1 \* 4/2017 Orts ..... A61N 1/0573  
2019/0275340 A1 \* 9/2019 Eby ..... A61N 1/362  
2019/0290323 A1 \* 9/2019 Chun ..... A61N 1/372

\* cited by examiner

*Primary Examiner* — Anhdao Doan

(74) *Attorney, Agent, or Firm* — Womble Bond Dickinson (US) LLP

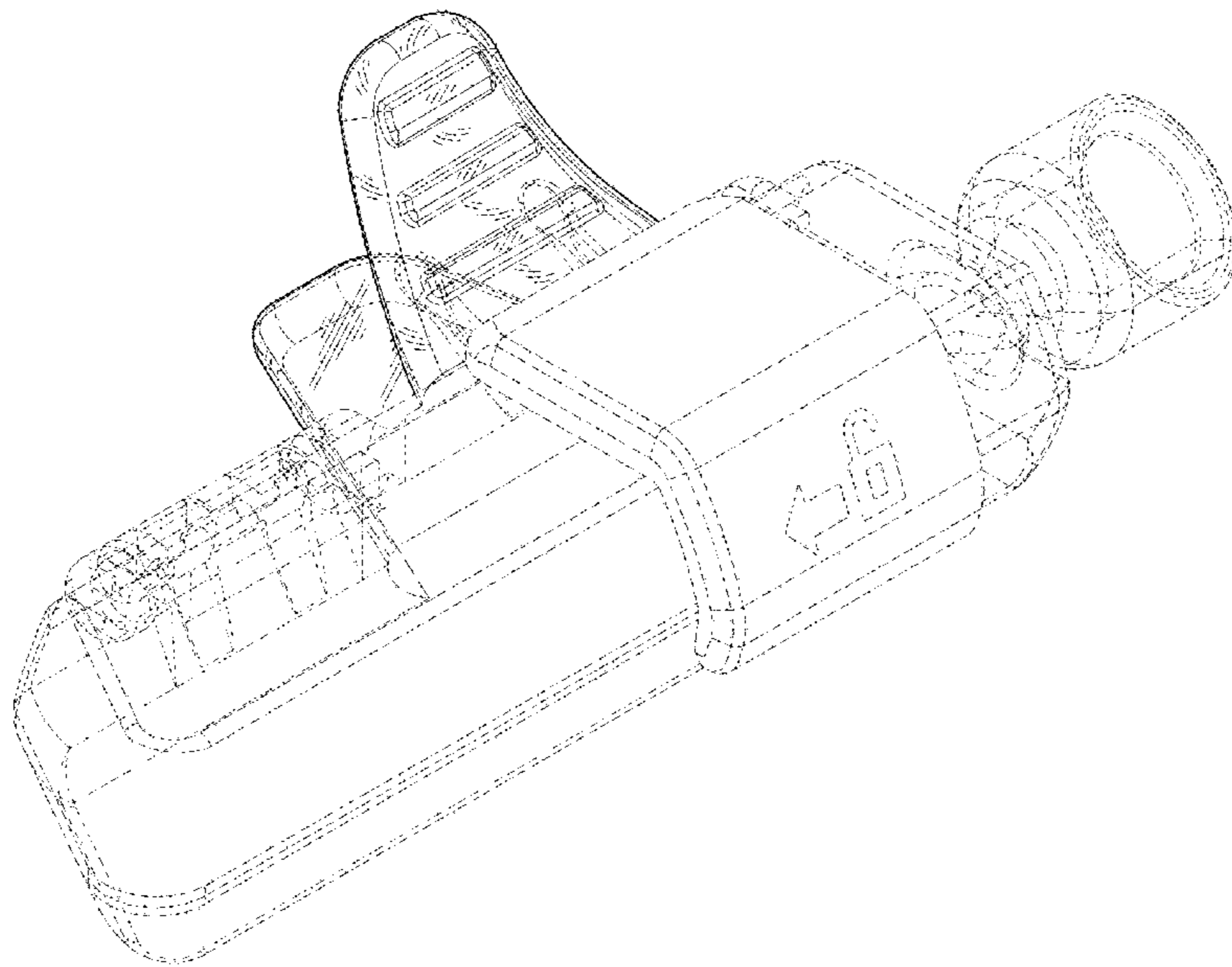
(57) **CLAIM**

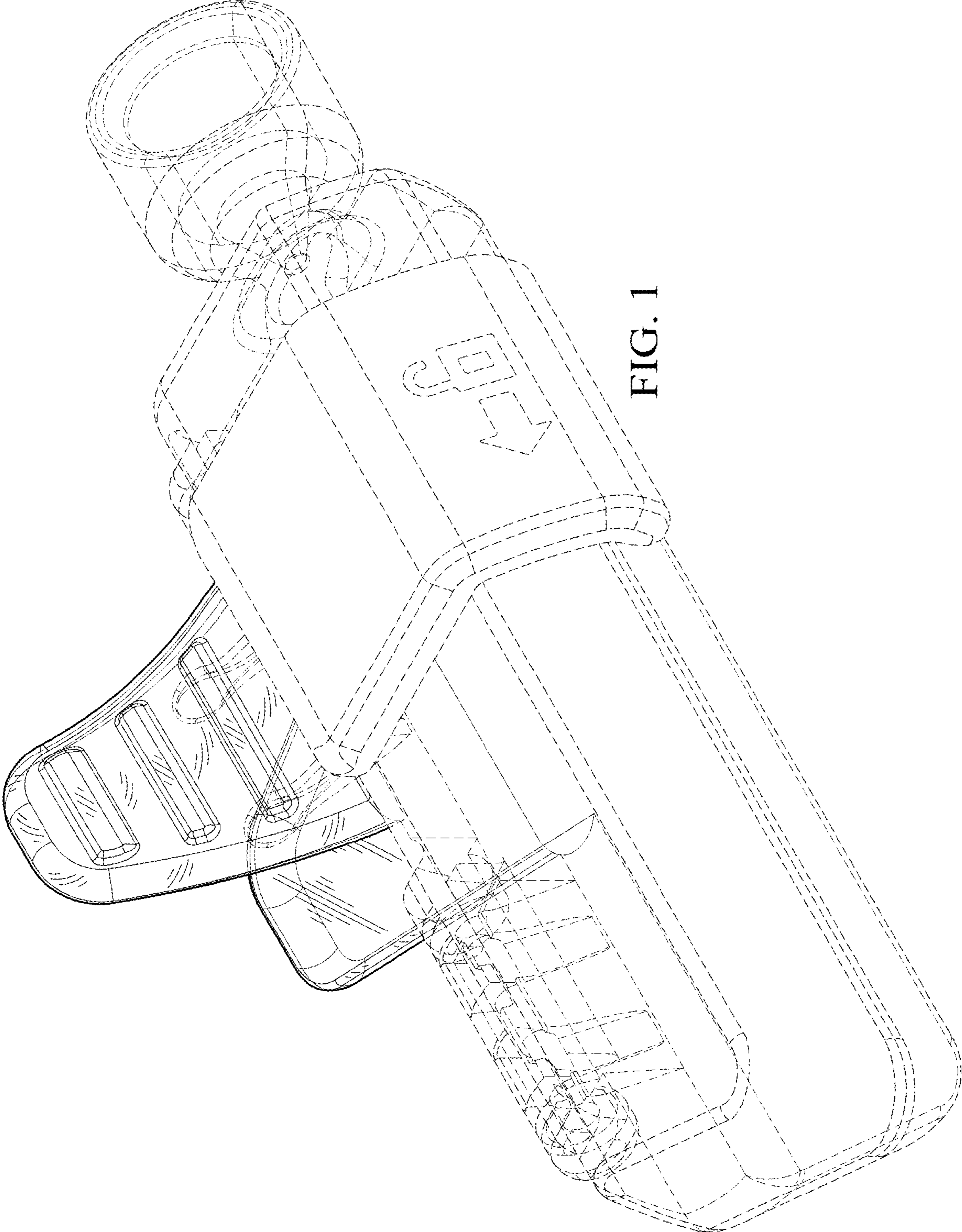
The ornamental design for a biostimulator loading tool, as shown and described.

**DESCRIPTION**

FIG. 1 is a side perspective view of a leadless biostimulator loading tool showing our new design;  
FIG. 2 is a front elevation view thereof;  
FIG. 3 is a rear elevation side view thereof;  
FIG. 4 is a right side view thereof;  
FIG. 5 is a left side view thereof;  
FIG. 6 is a an alternative left side view thereof in a locked configuration;  
FIG. 7 is a top view thereof;  
FIG. 8 is a bottom view thereof; and,  
FIG. 9 is an alternative perspective view thereof.  
The broken lines illustrate portions of the biostimulator loading tool that form no part of the claimed design; the broken lines form no part of the claimed design.

**1 Claim, 7 Drawing Sheets**





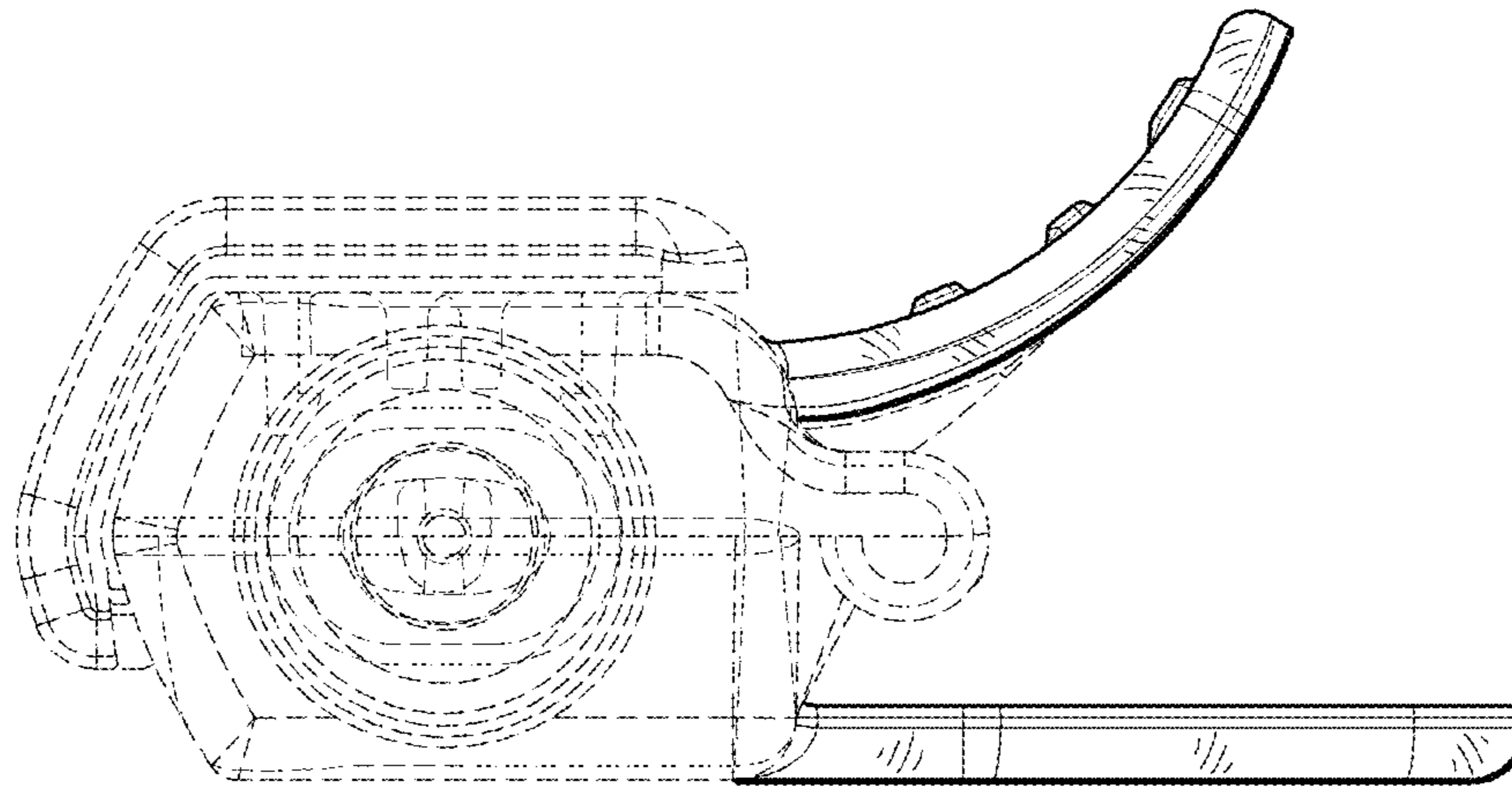


FIG. 2

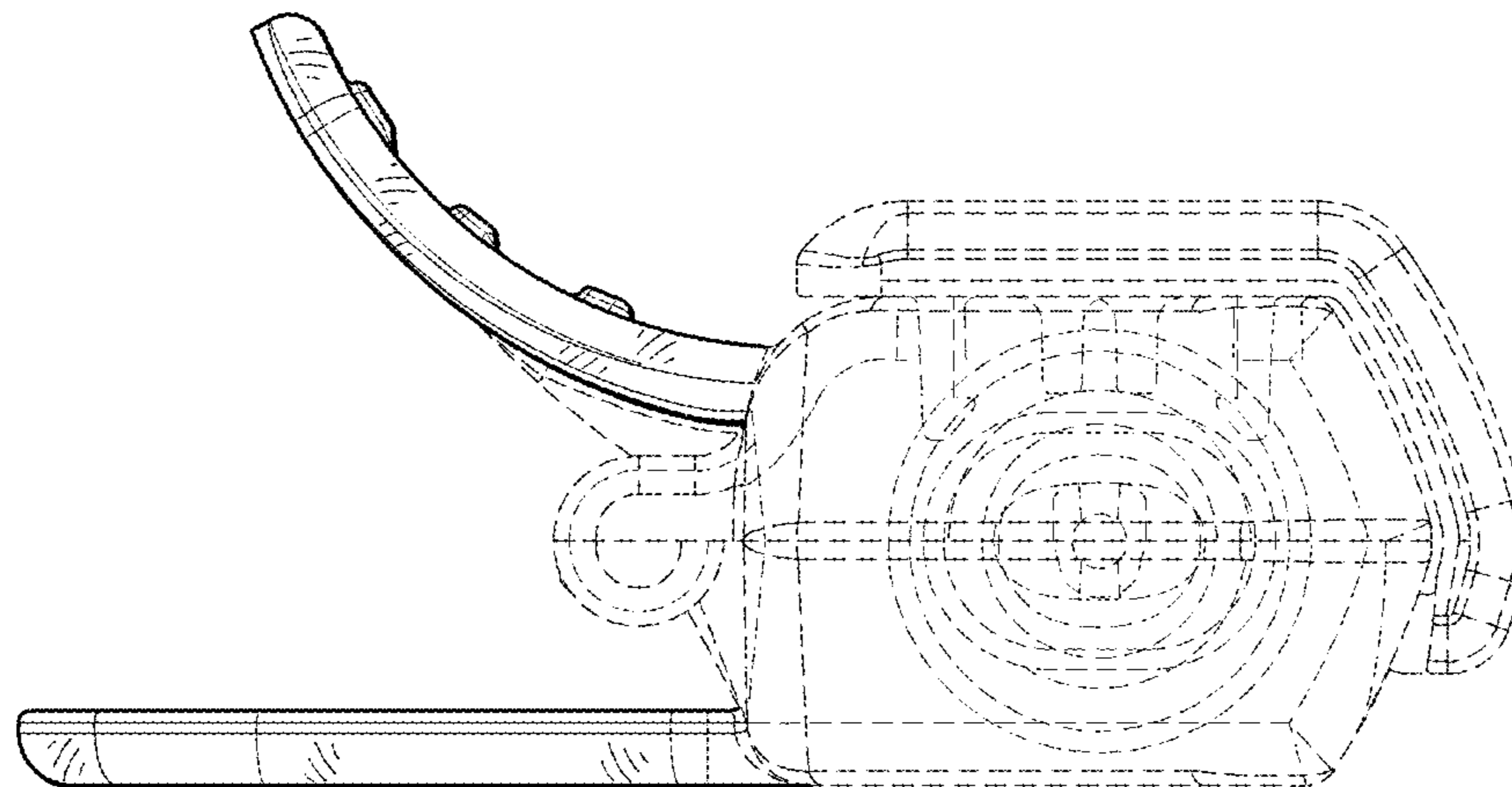


FIG. 3

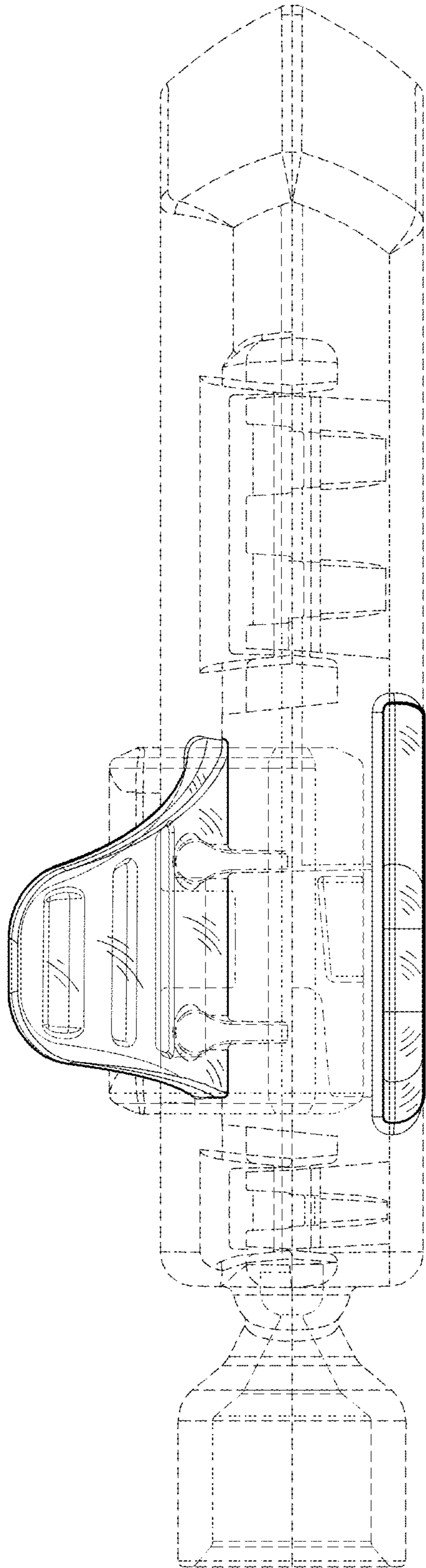


FIG. 4

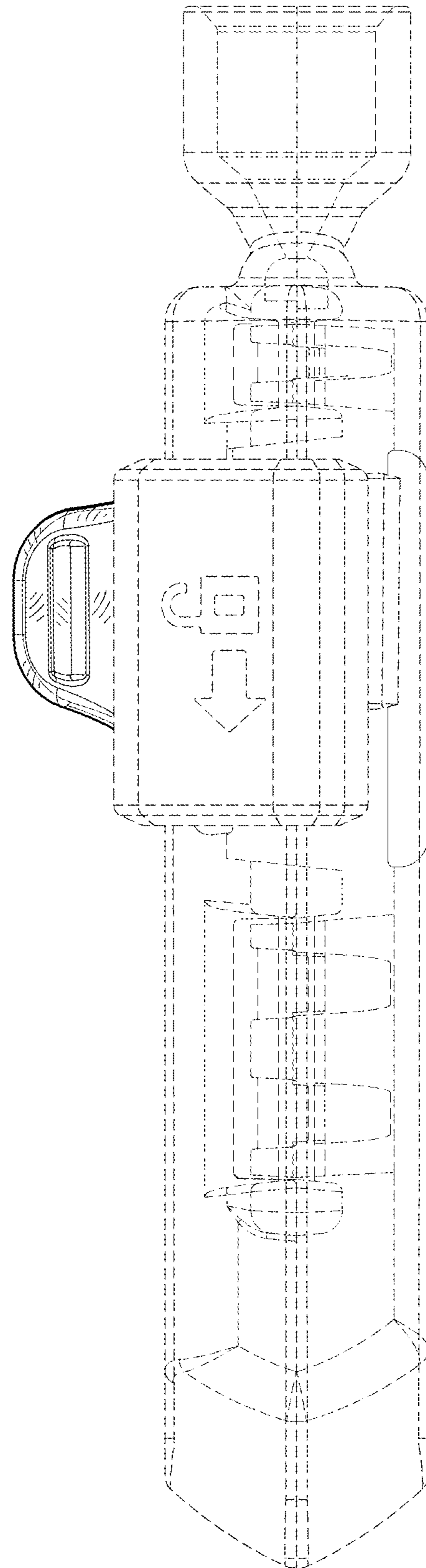


FIG. 5

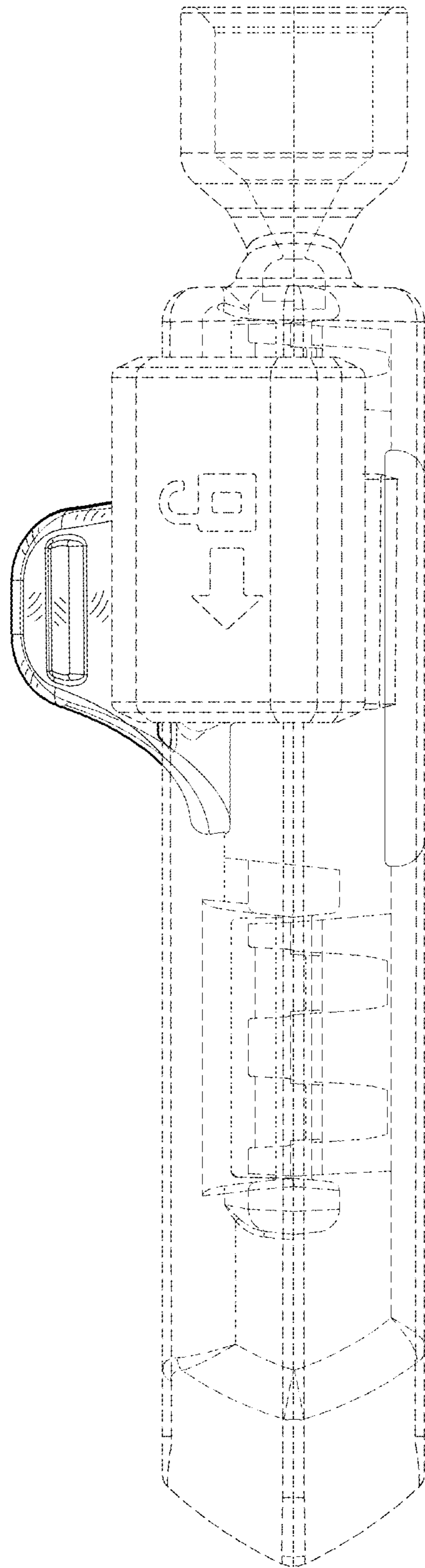


FIG. 6

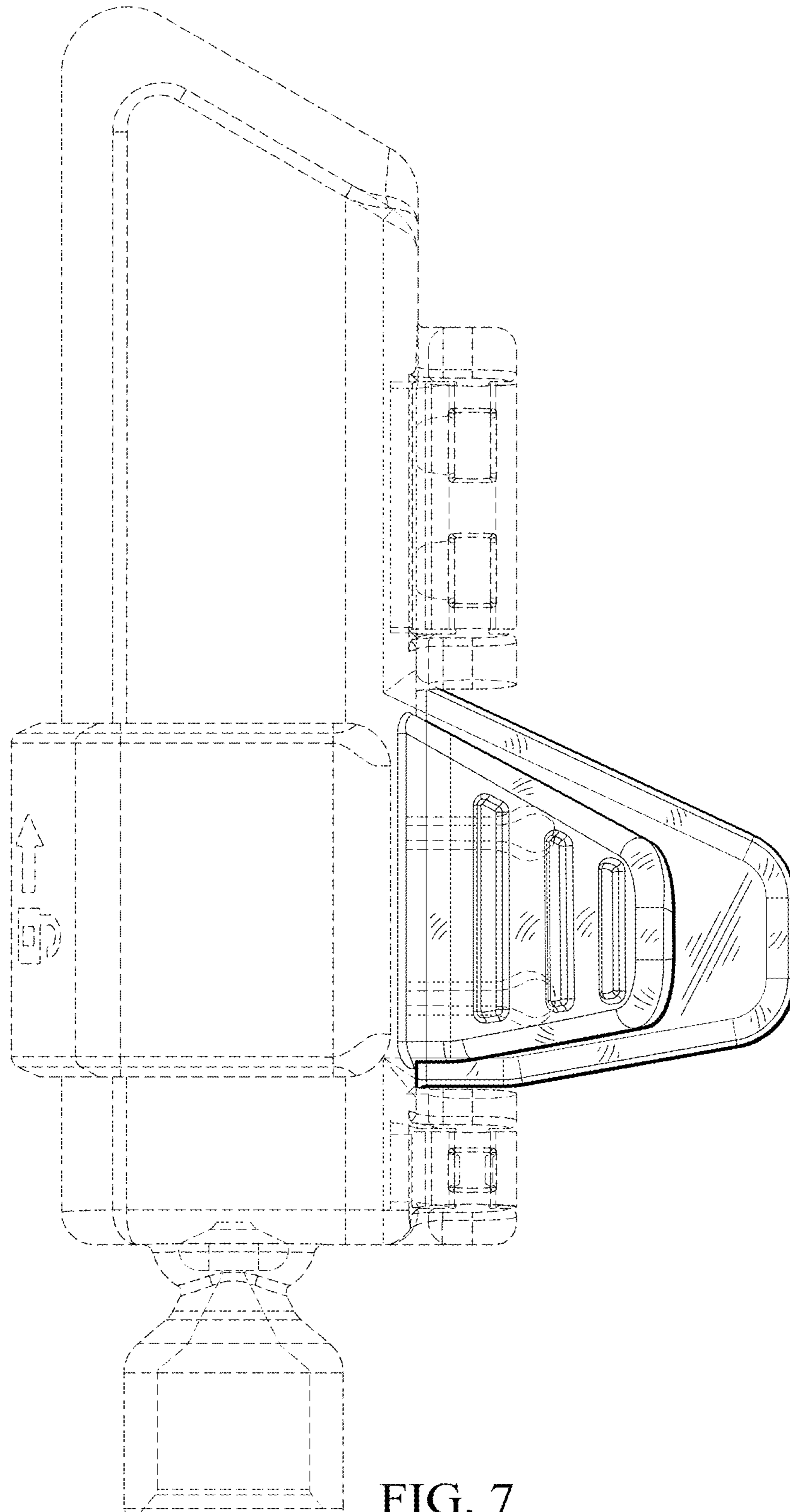


FIG. 7

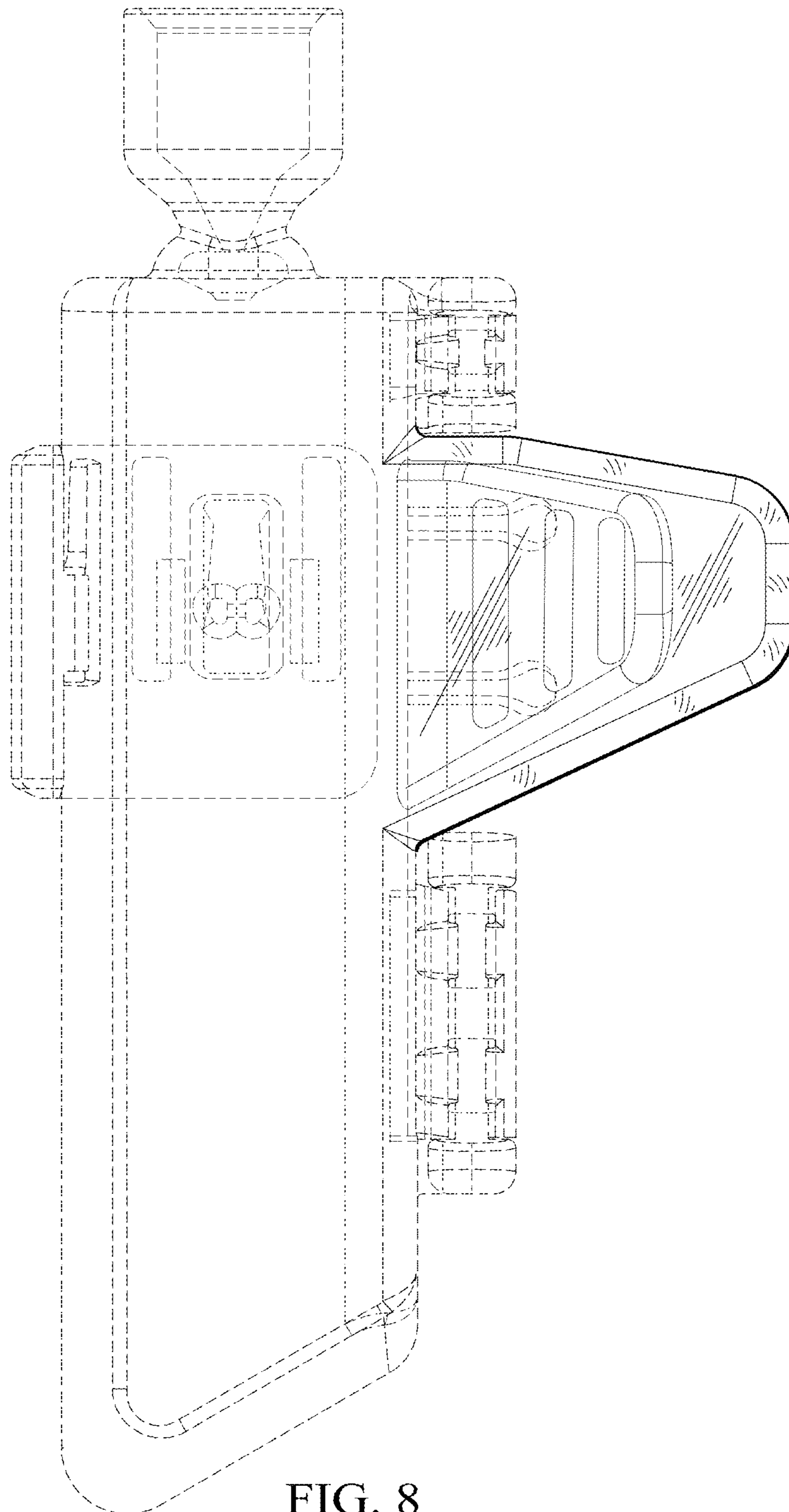


FIG. 8

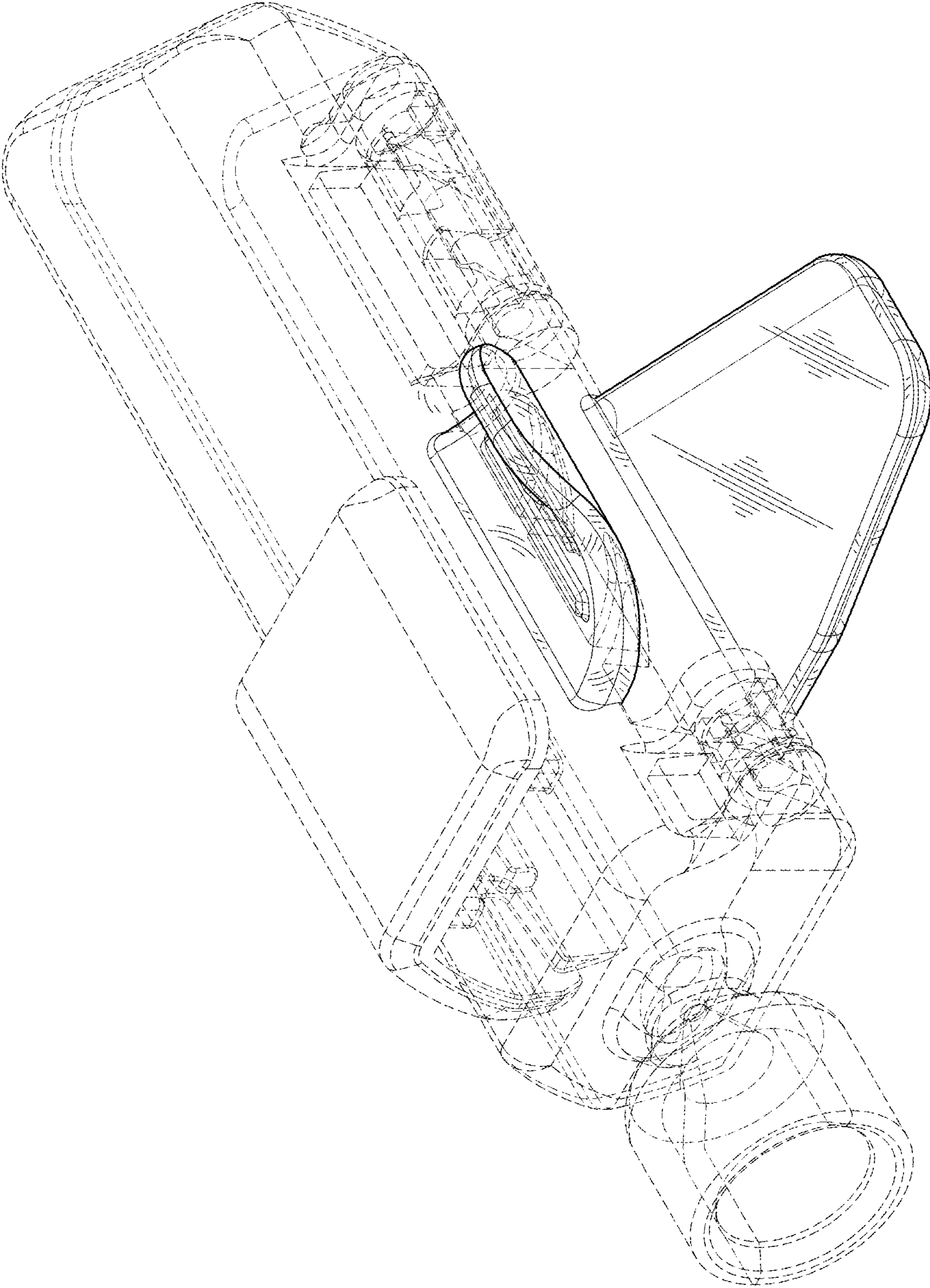


FIG. 9