



US00D893729S

(12) **United States Design Patent** (10) **Patent No.:** **US D893,729 S**  
**Joda et al.** (45) **Date of Patent:** **\*\* Aug. 18, 2020**

(54) **MAGNET ACCESSORY**

D866,371 S \* 11/2019 Wheaton ..... D10/70

\* cited by examiner

(71) Applicant: **Cardiac Pacemakers, Inc.**, St. Paul, MN (US)

*Primary Examiner* — Anhdao Doan

(72) Inventors: **David B. Joda**, Minneapolis, MN (US);  
**David P. Stieper**, North Branch, MN (US)

(74) *Attorney, Agent, or Firm* — Faegre Drinker Biddle & Reath LLP

(73) Assignee: **Cardiac Pacemakers, Inc.**, St Paul, MN (US)

(57) **CLAIM**

The ornamental design for a magnet accessory, as shown and described.

(\*\*) Term: **15 Years**

**DESCRIPTION**

(21) Appl. No.: **29/668,137**

FIG. 1 is a front perspective view of a magnet accessory illustrating a first embodiment of our new design;

(22) Filed: **Oct. 28, 2018**

FIG. 2 is a front view of the first embodiment of FIG. 1;

(51) **LOC (12) Cl.** ..... **24-01**

FIG. 3 is a rear view of the first embodiment of FIG. 1;

(52) **U.S. Cl.**

FIG. 4 is a left side view of the first embodiment of FIG. 1;

USPC ..... **D24/167**

FIG. 5 is a right side view of the first embodiment of FIG. 1;

(58) **Field of Classification Search**

FIG. 6 is a top view of the first embodiment of FIG. 1;

USPC ..... D24/107, 164–167, 186, 187, 200;  
D10/75; D14/344, 358, 388, 389;  
D13/183, 184, 199

FIG. 7 is a bottom view of the first embodiment of FIG. 1;

CPC ..... A61N 1/3956; A61N 1/3975; A61N  
1/39622; A61N 1/3993; A61N 1/37229;  
A61N 1/37276

FIG. 8 is a front perspective view of a magnet accessory illustrating a second embodiment of our new design;

See application file for complete search history.

FIG. 9 is a front view of the second embodiment of FIG. 8;

FIG. 10 is a rear view of the second embodiment of FIG. 8;

FIG. 11 is a left side view of the second embodiment of FIG. 8;

(56) **References Cited**

FIG. 12 is a right side view of the second embodiment of FIG. 8;

**U.S. PATENT DOCUMENTS**

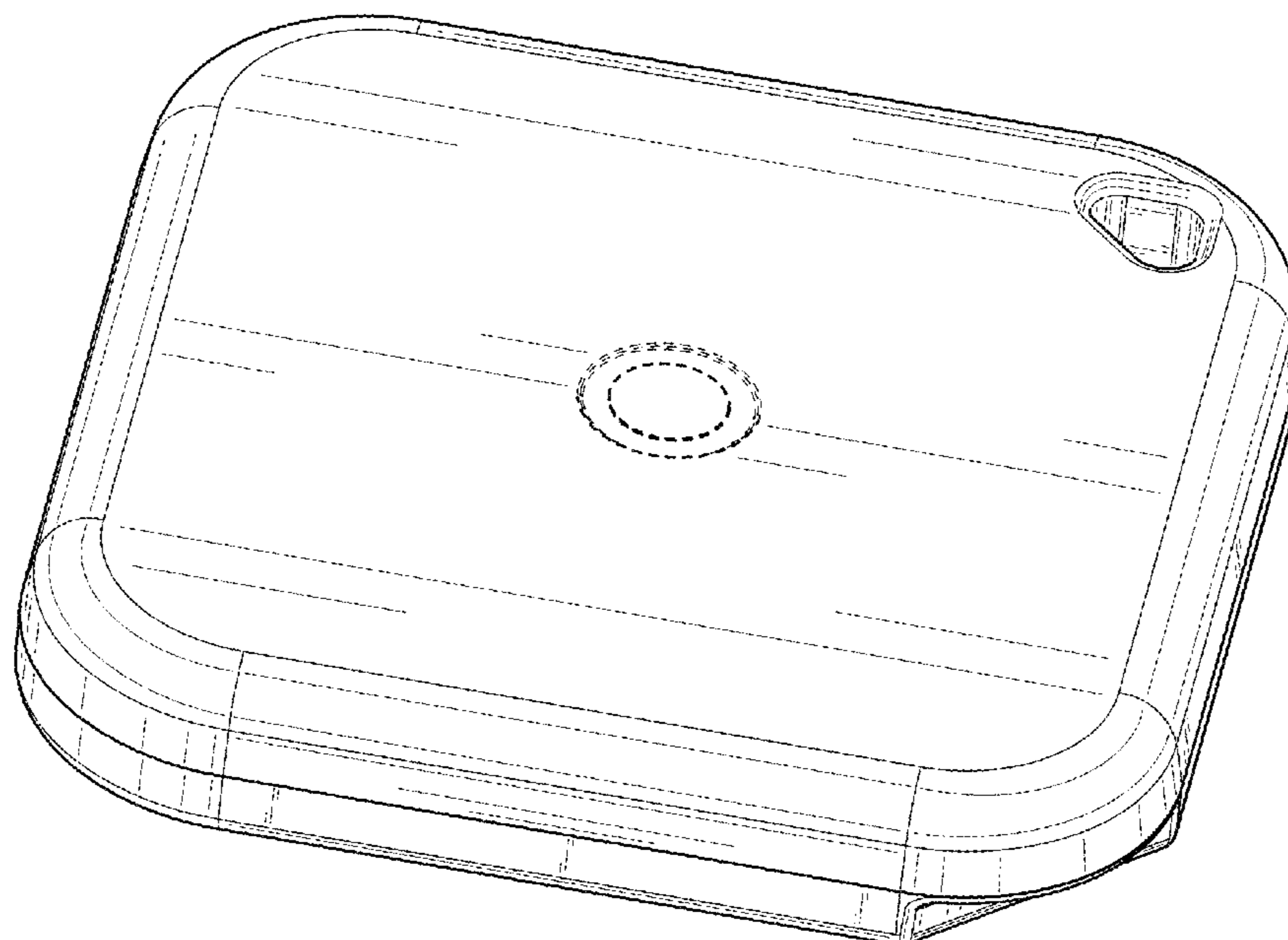
FIG. 13 is a top view of the second embodiment of FIG. 8; and,

D402,762 S	*	12/1998	Szpur	.....	D24/200
D559,987 S	*	1/2008	Strother	.....	D24/187
D595,839 S	*	7/2009	Miazga	.....	D24/107
D673,275 S	*	12/2012	Armstrong	.....	D24/167
D764,670 S	*	8/2016	Finch	.....	D24/167
D774,651 S	*	12/2016	Kaib	.....	D24/186
D783,170 S	*	4/2017	Carreon	.....	D24/167
D790,996 S	*	7/2017	Farley	.....	D10/70

FIG. 14 is a bottom view of the second embodiment of FIG. 8.

The broken lines show portions of the magnet accessory that form no part of the claimed design; the broken lines form no part of the claimed design.

**1 Claim, 14 Drawing Sheets**



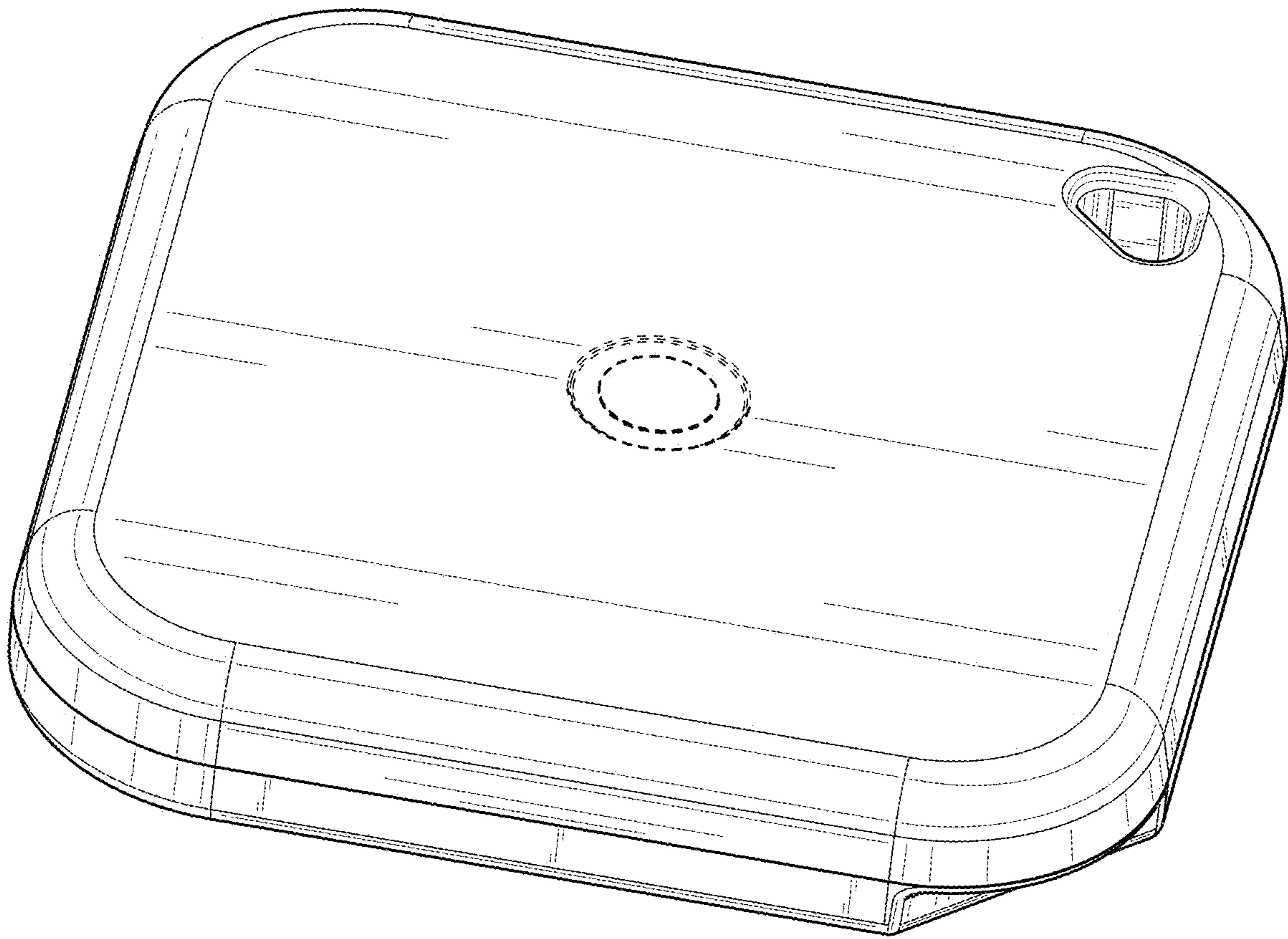


FIG. 1

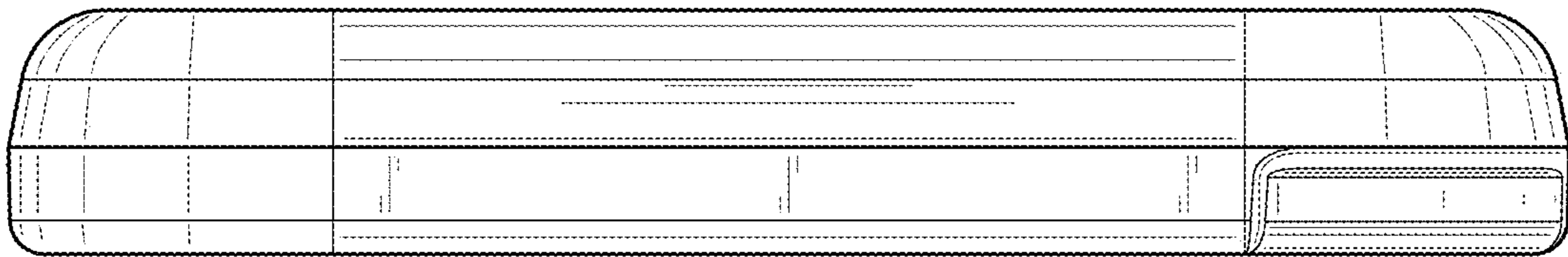


FIG. 2

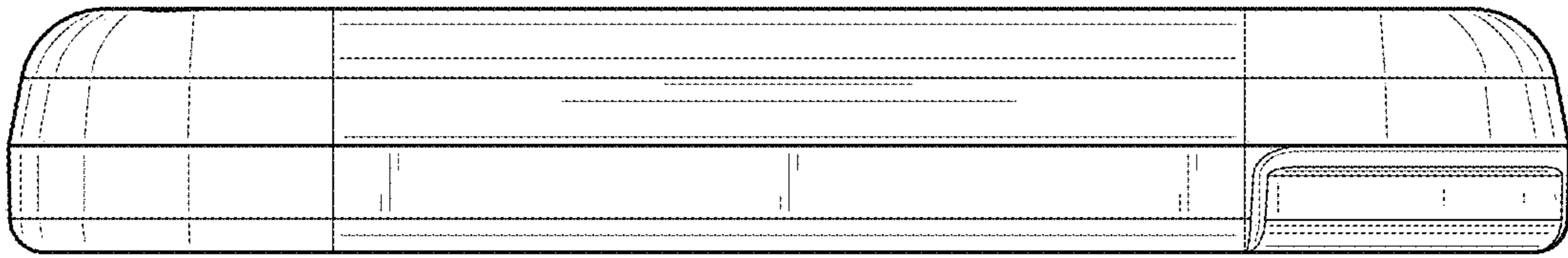


FIG. 3

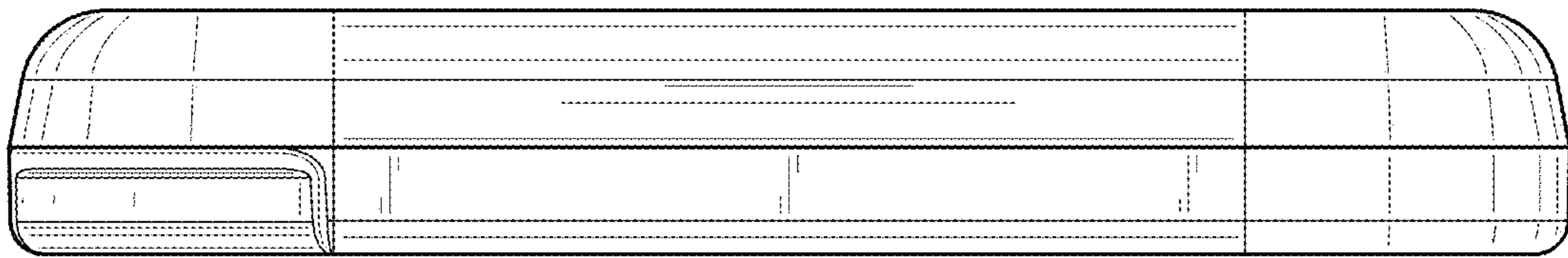


FIG. 4

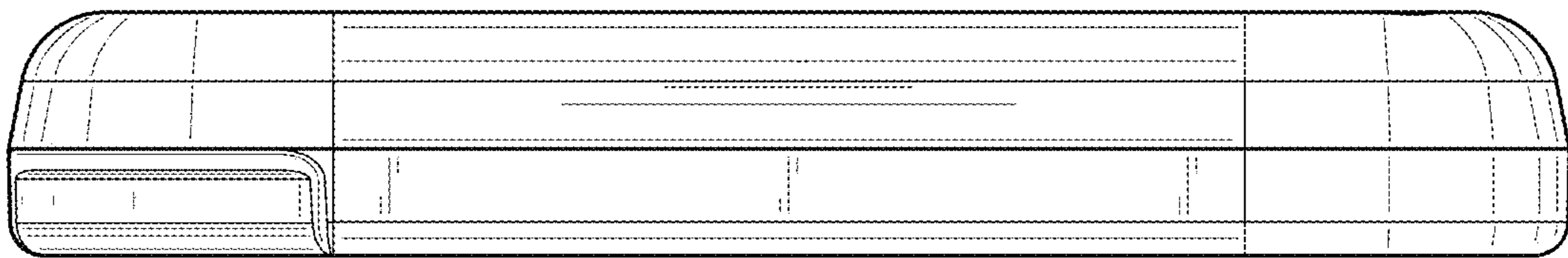


FIG. 5

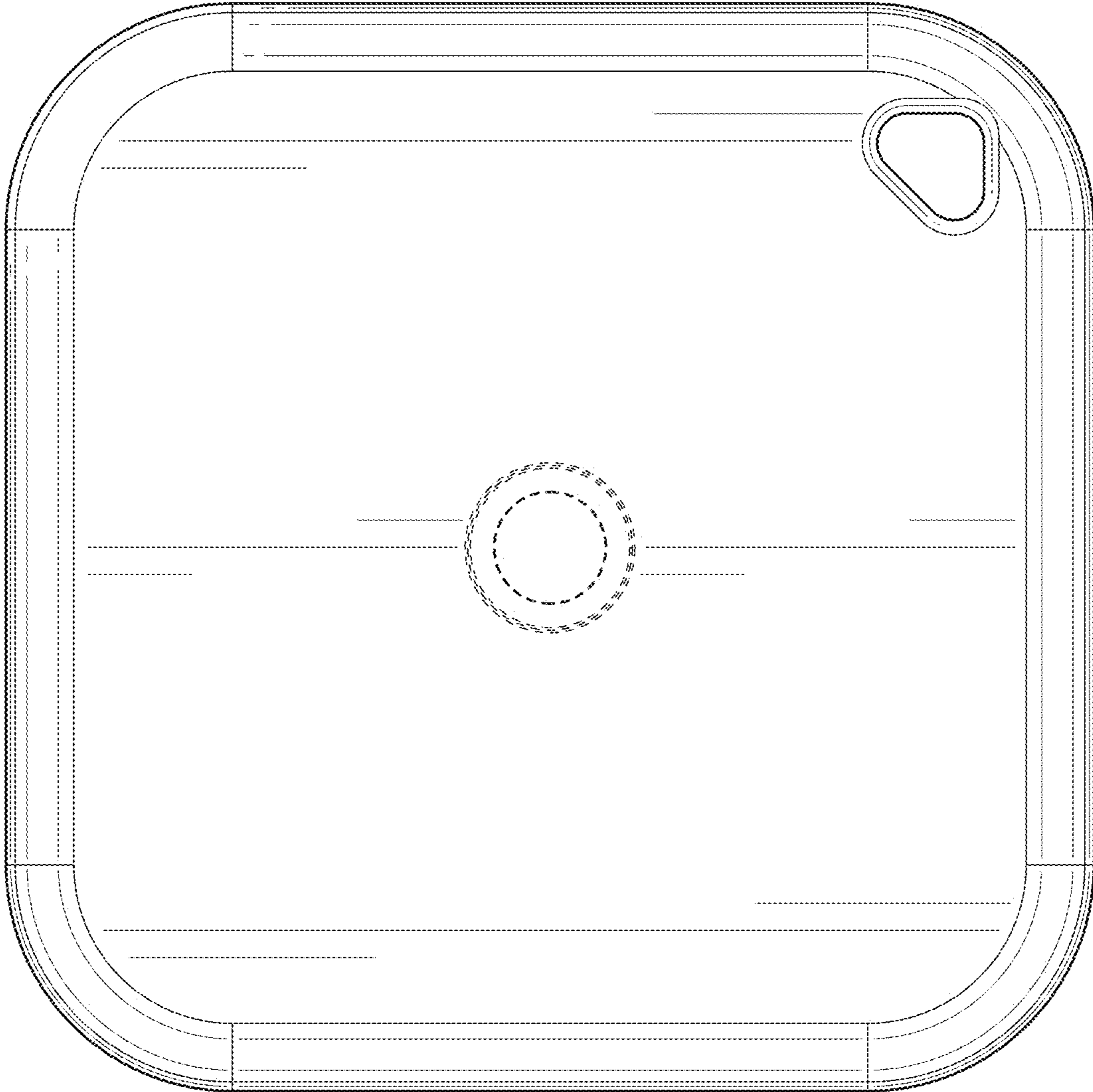


FIG. 6



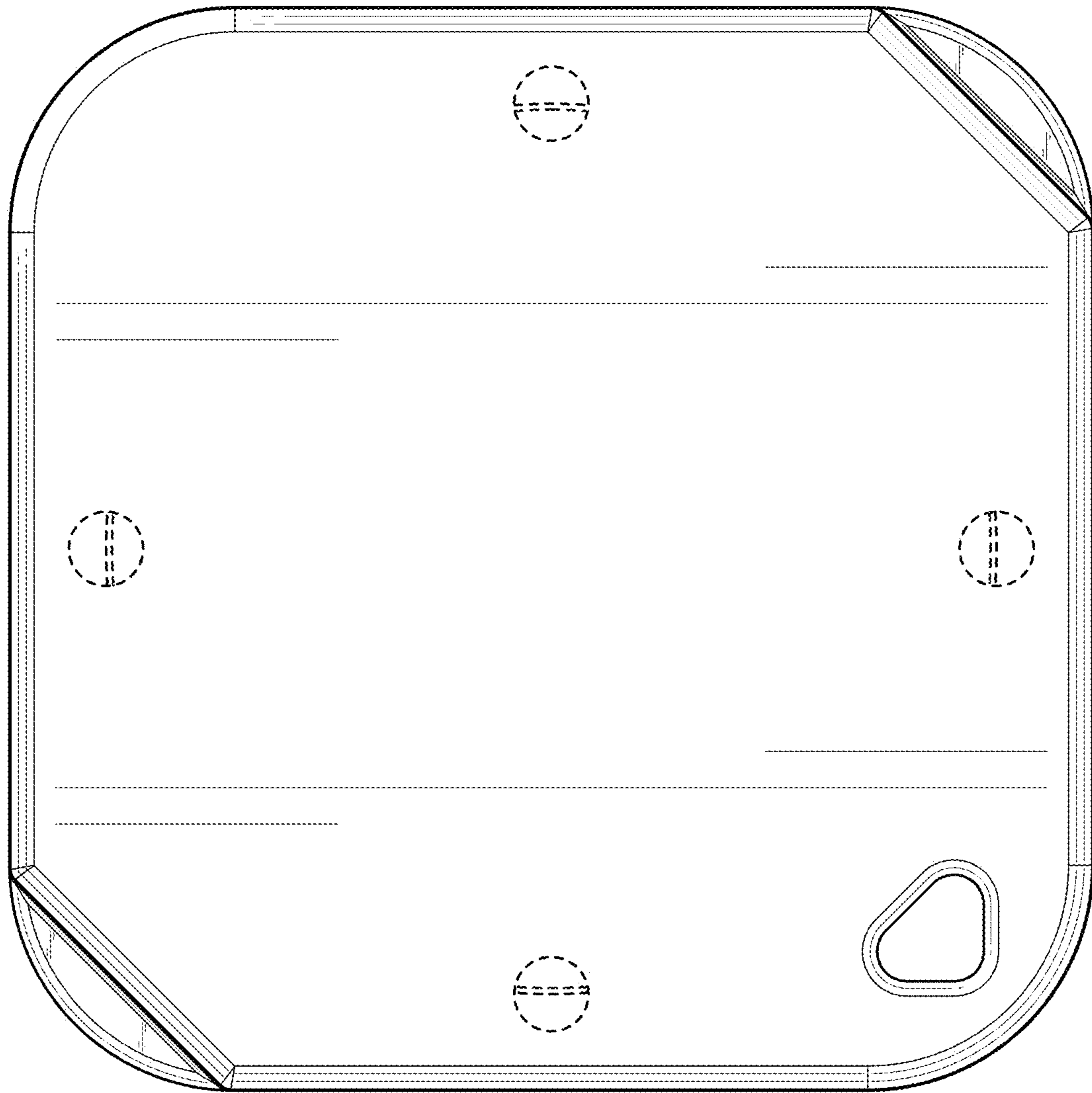


FIG. 7



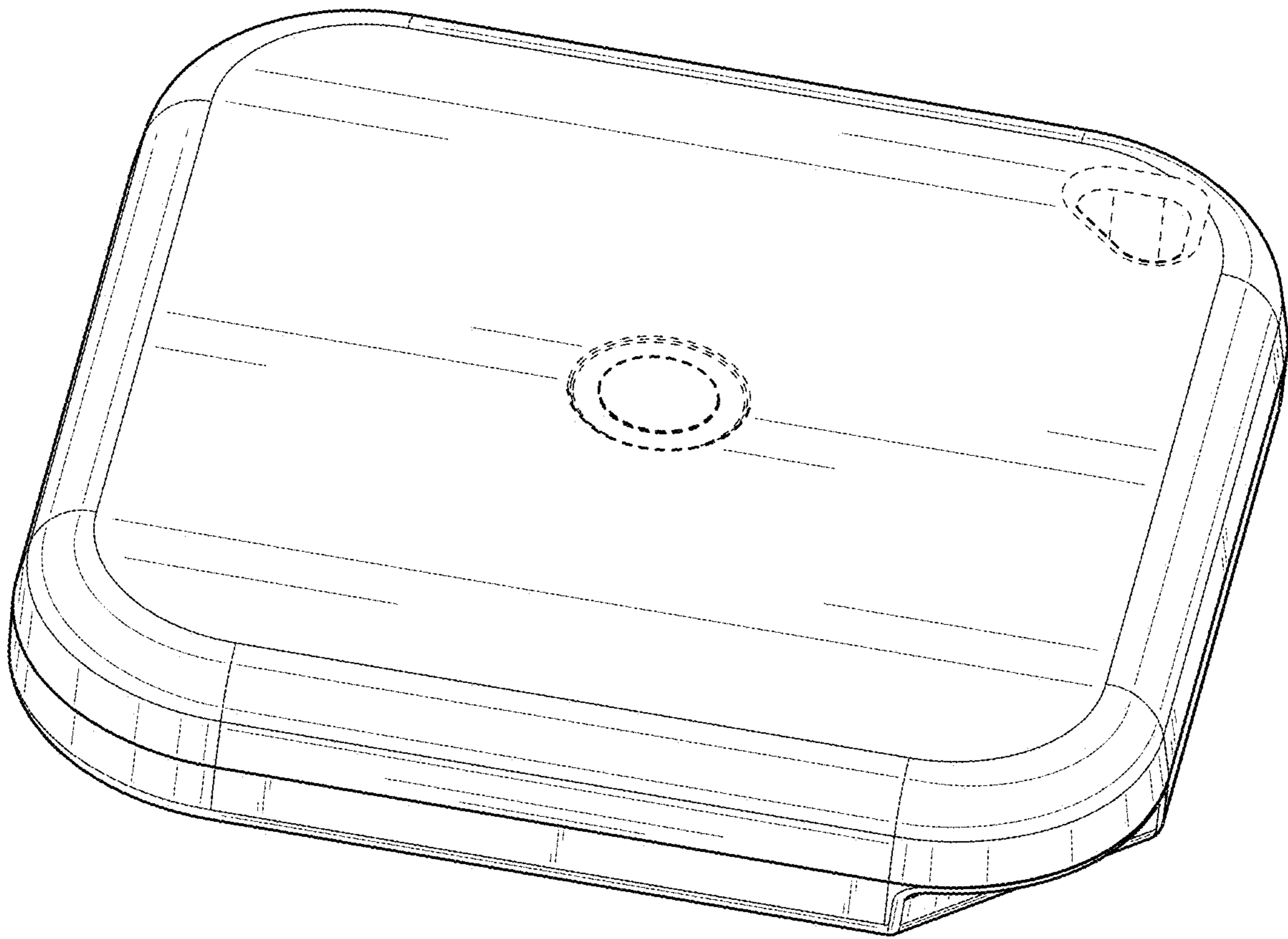


FIG. 8

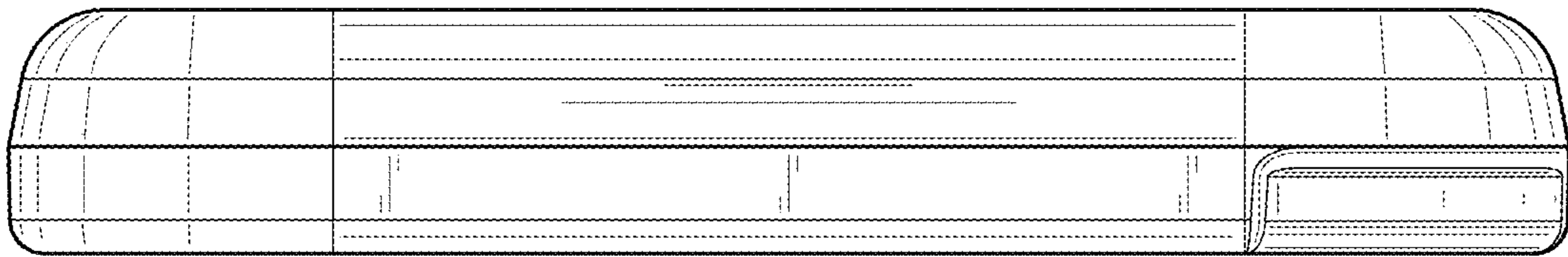


FIG. 9

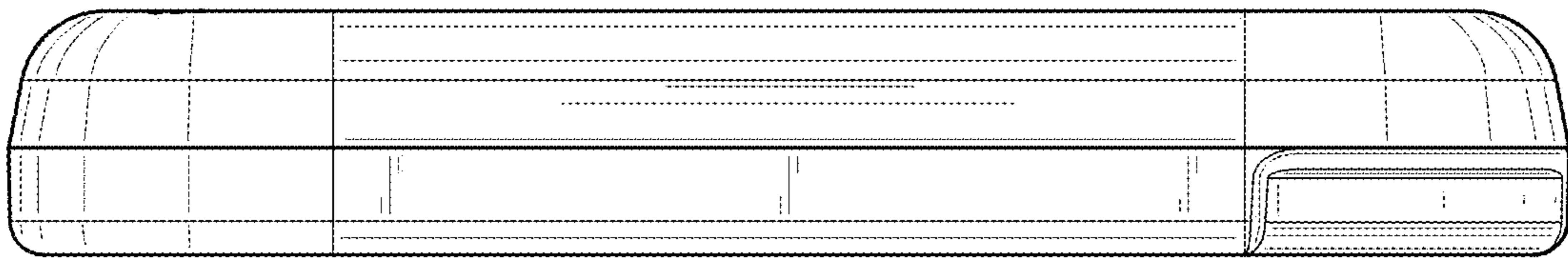


FIG. 10

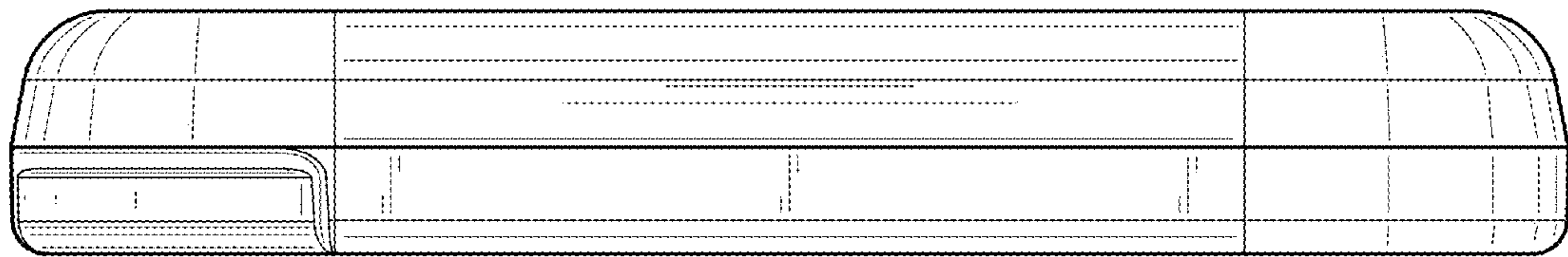


FIG. 11

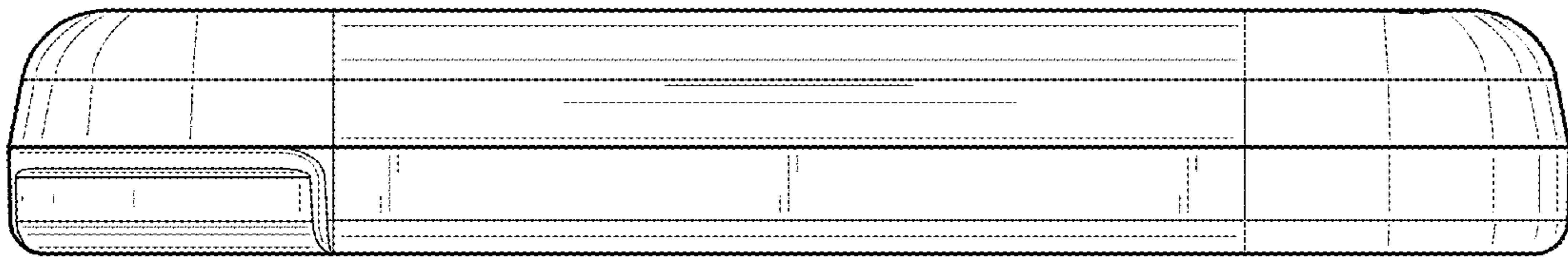


FIG. 12

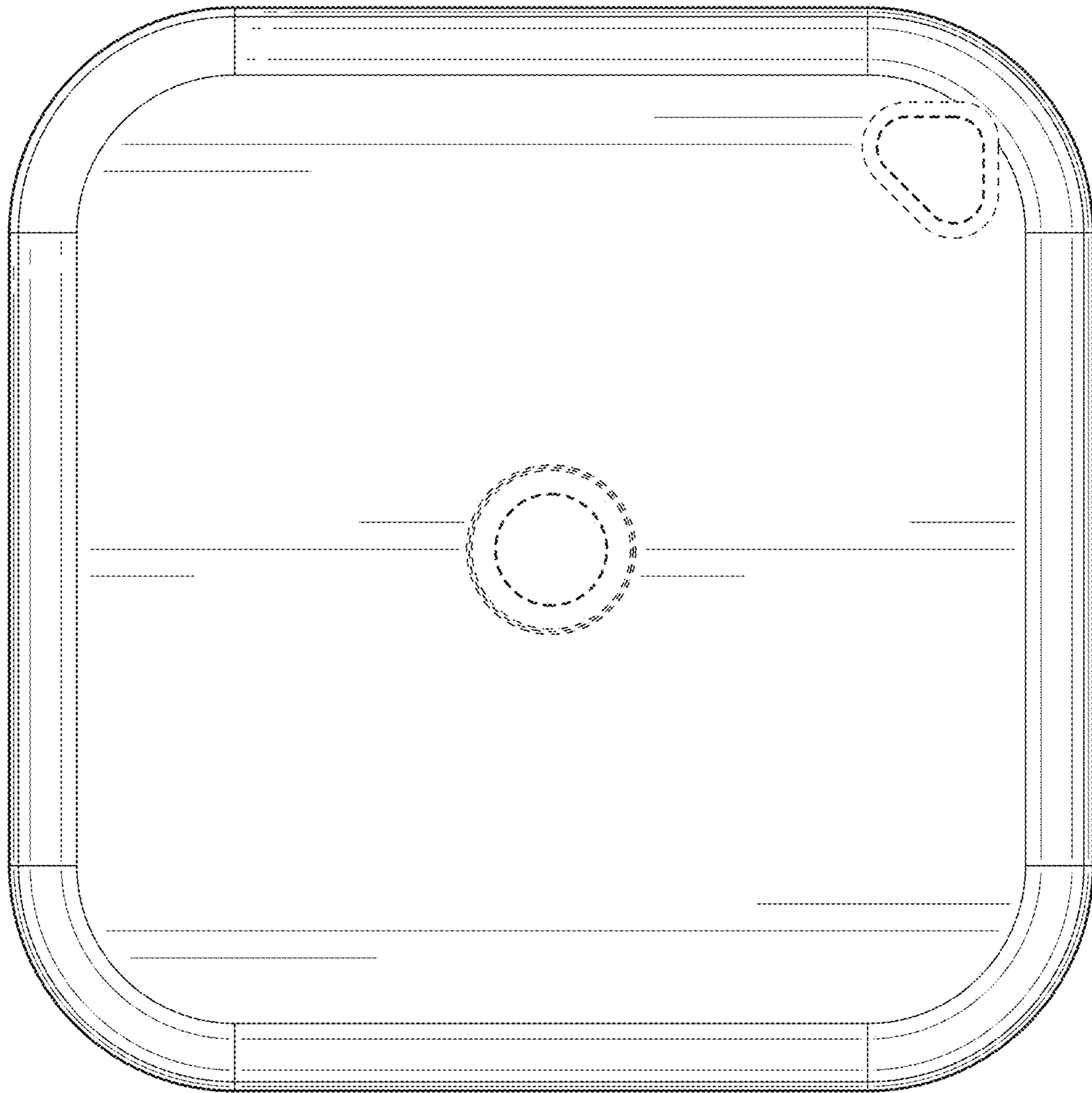


FIG. 13

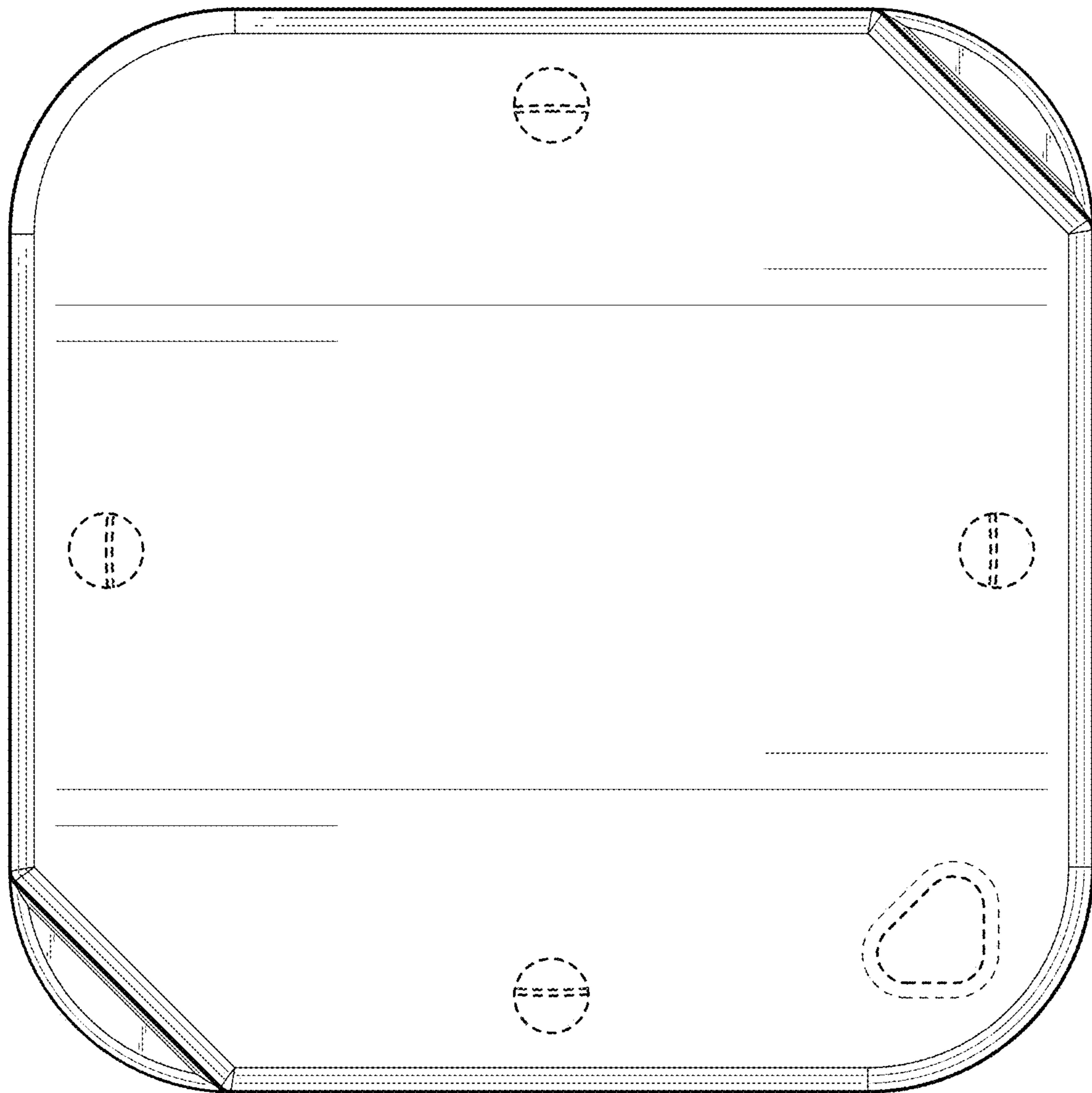


FIG. 14