



US00D893726S

(12) **United States Design Patent**
Ye et al.

(10) **Patent No.:** **US D893,726 S**
(45) **Date of Patent:** **** Aug. 18, 2020**

(54) **RADIATION SOURCE**
(71) Applicant: **SHENZHEN XPECTVISION TECHNOLOGY CO., LTD.**, Shenzhen (CN)

9,364,190 B2 * 6/2016 Lee A61B 6/588
D783,827 S * 4/2017 Arishima D24/158
D788,310 S * 5/2017 Takeuchi D24/158
D799,044 S * 10/2017 Graziani D24/158
2014/0226786 A1 * 8/2014 Goossen A61B 6/0414
378/37

(72) Inventors: **Zhuoting Ye**, Shenzhen (CN); **Huan Yu**, Shenzhen (CN)
(73) Assignee: **SHENZHEN XPECTVISION TECHNOLOGY CO., LTD.**, Shenzhen (CN)

* cited by examiner
Primary Examiner — Anhdao Doan
(74) *Attorney, Agent, or Firm* — IPro, PLLC

(**) Term: **15 Years**

(57) **CLAIM**

(21) Appl. No.: **29/674,013**

The ornamental design for a radiation source, as shown and described.

(22) Filed: **Dec. 19, 2018**

(51) **LOC (12) Cl.** **24-01**

(52) **U.S. Cl.**
USPC **D24/158**

DESCRIPTION

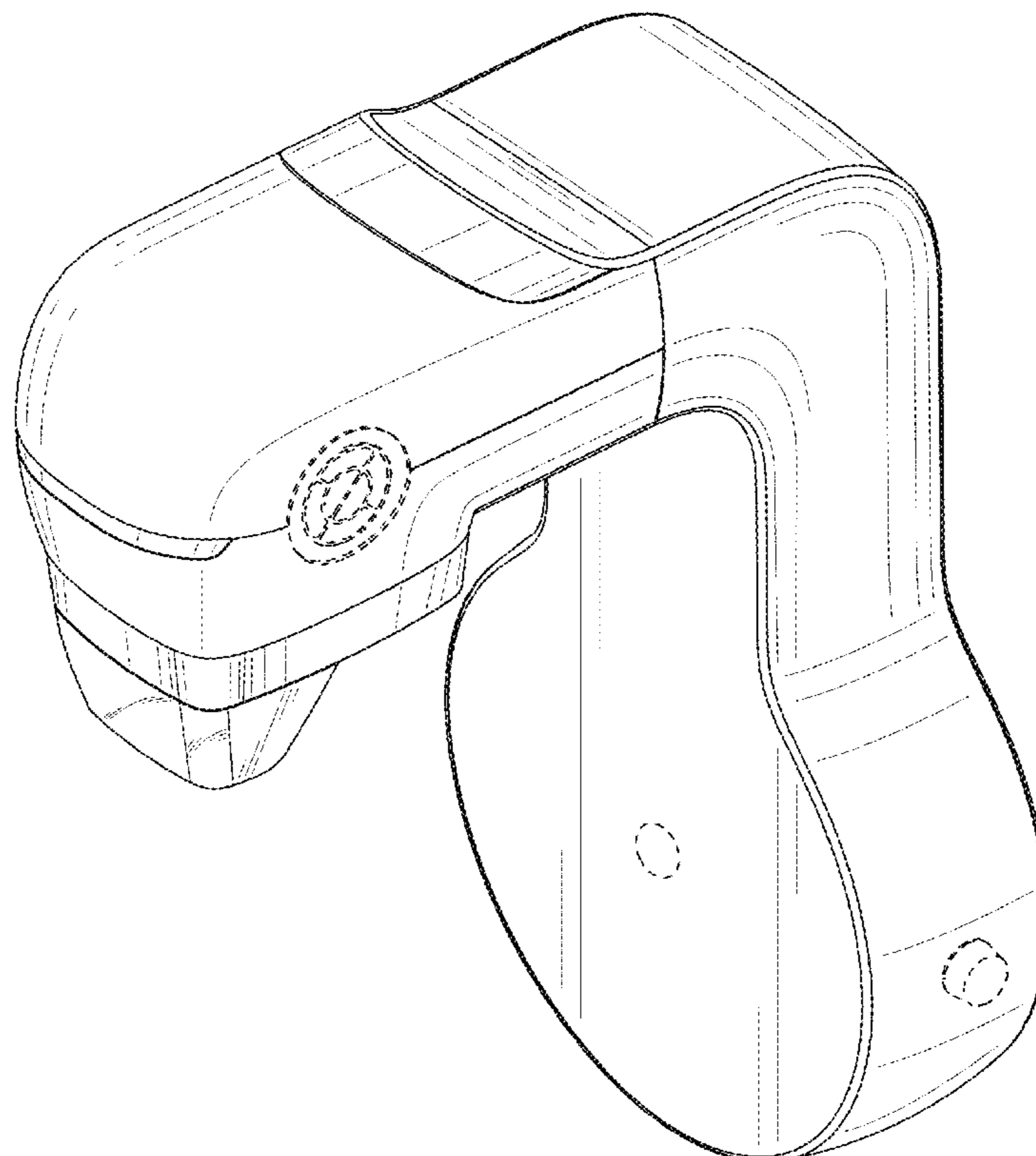
(58) **Field of Classification Search**
USPC D24/107, 158-161, 185, 186
CPC ... A61B 6/0435; A61B 6/0457; A61B 6/0442;
A61B 6/502; A61B 5/0555; A61B
8/0825; A61B 8/406
See application file for complete search history.

FIG. 1 is a perspective view of a radiation source embodying the new design;
FIG. 2 is another perspective view thereof;
FIG. 3 is a front view thereof;
FIG. 4 is a back view thereof;
FIG. 5 is a side view thereof;
FIG. 6 is another side view thereof;
FIG. 7 is a top view thereof; and,
FIG. 8 is a bottom view thereof.
The broken lines illustrate portions of the mammography machine that form no part of the claimed design.

(56) **References Cited**
U.S. PATENT DOCUMENTS

D625,011 S * 10/2010 Hirabayashi D24/158
D728,793 S * 5/2015 Kim D24/158

1 Claim, 8 Drawing Sheets



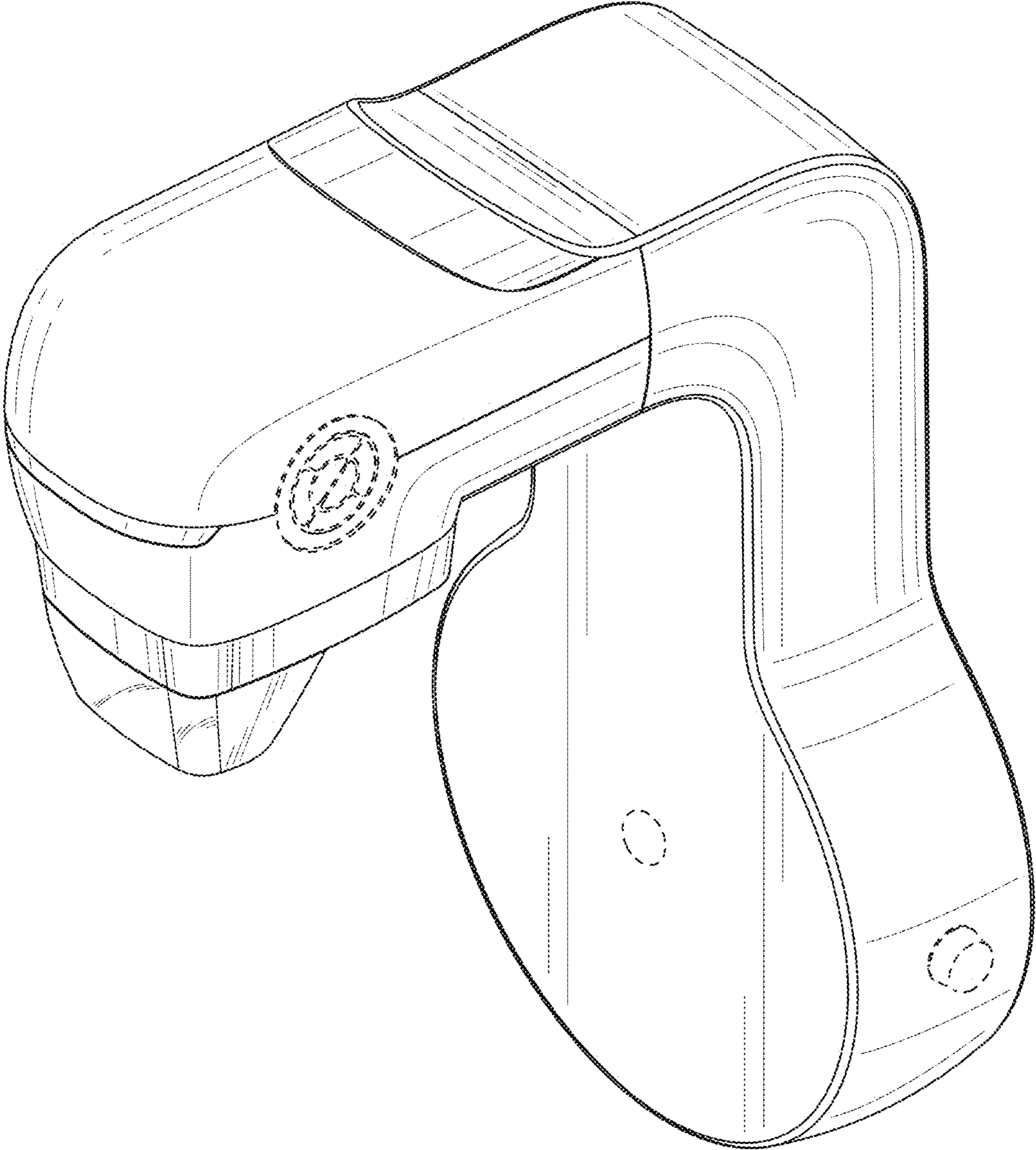


FIG. 1

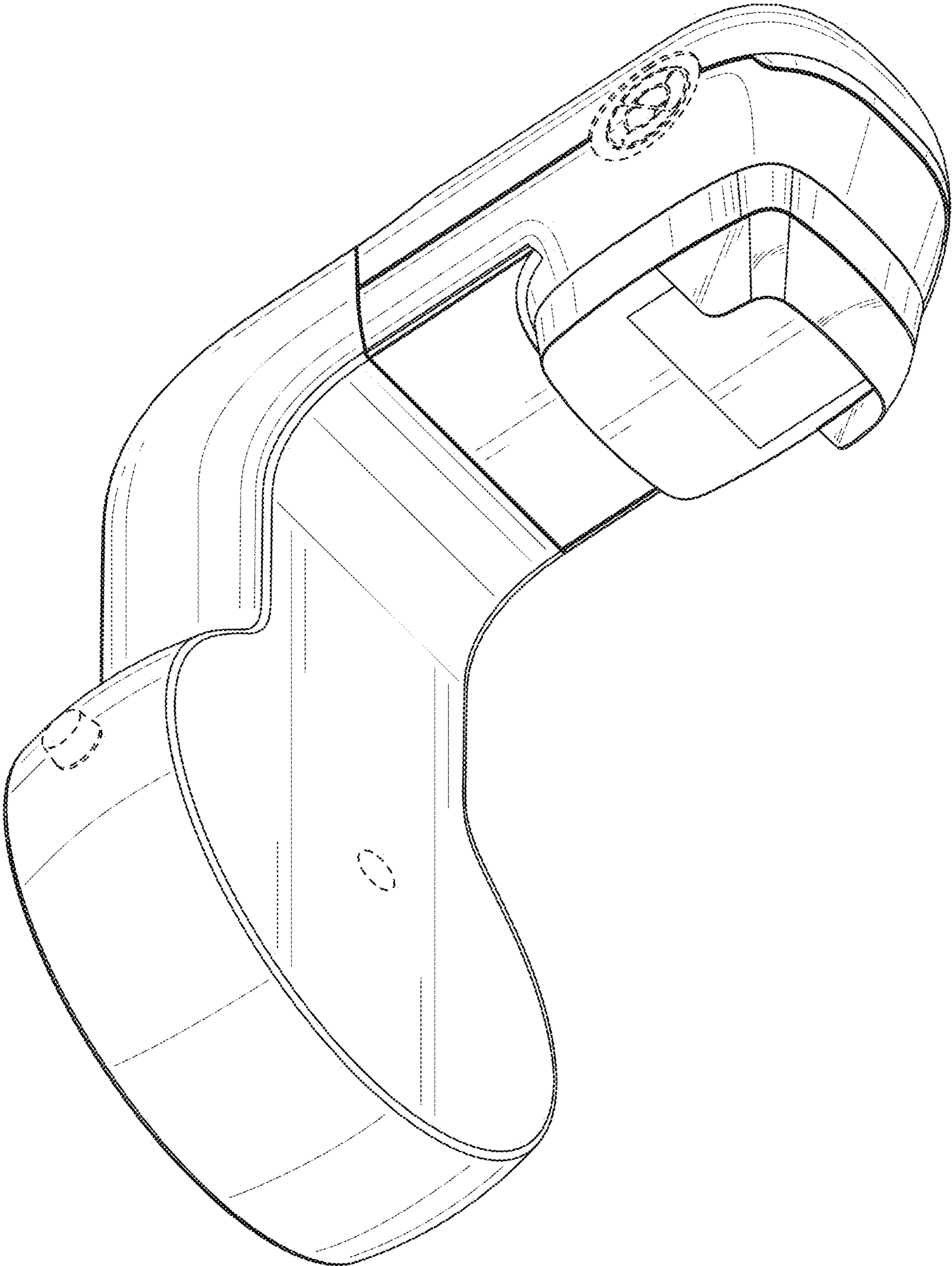


FIG. 2

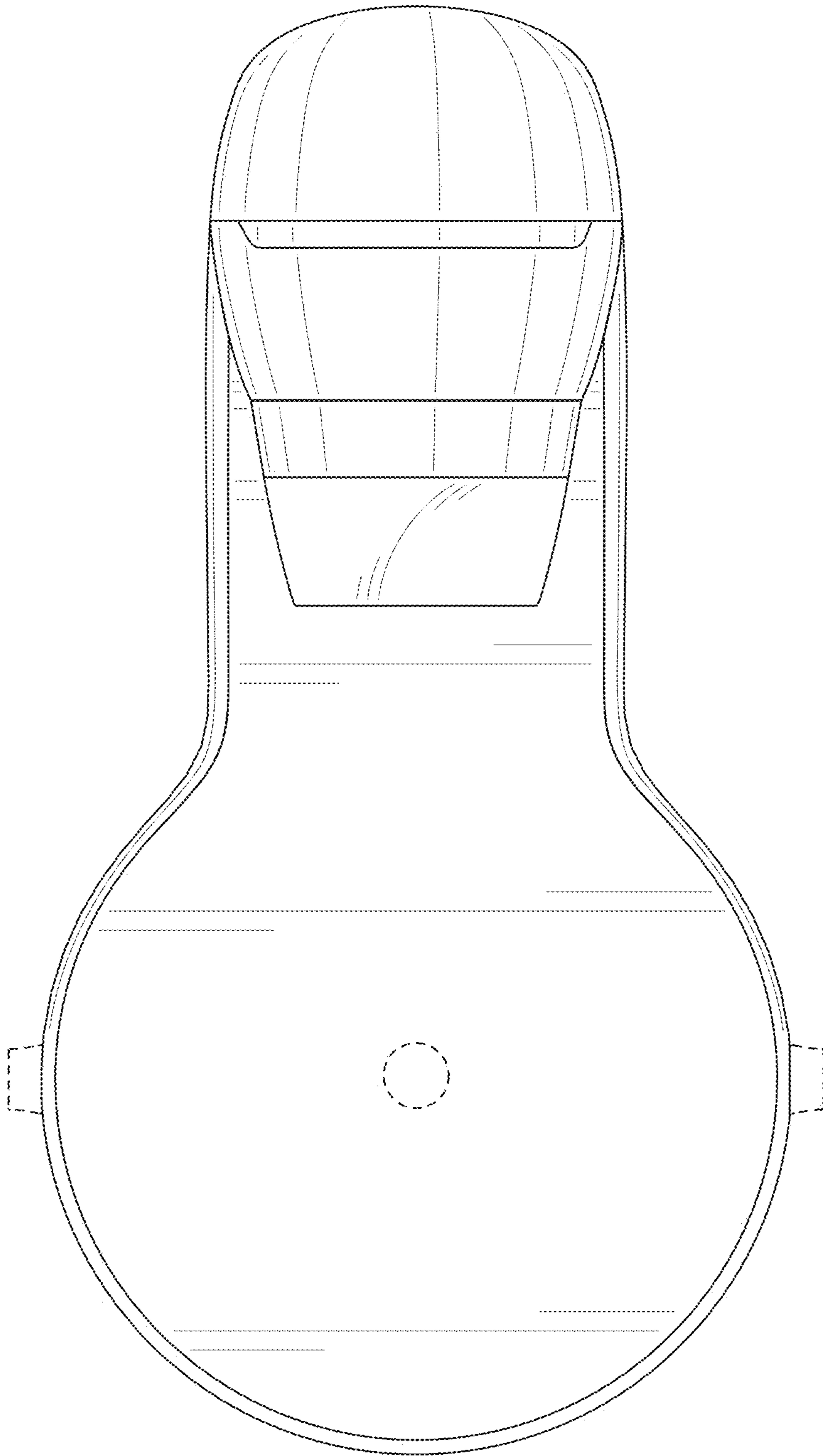


FIG. 3

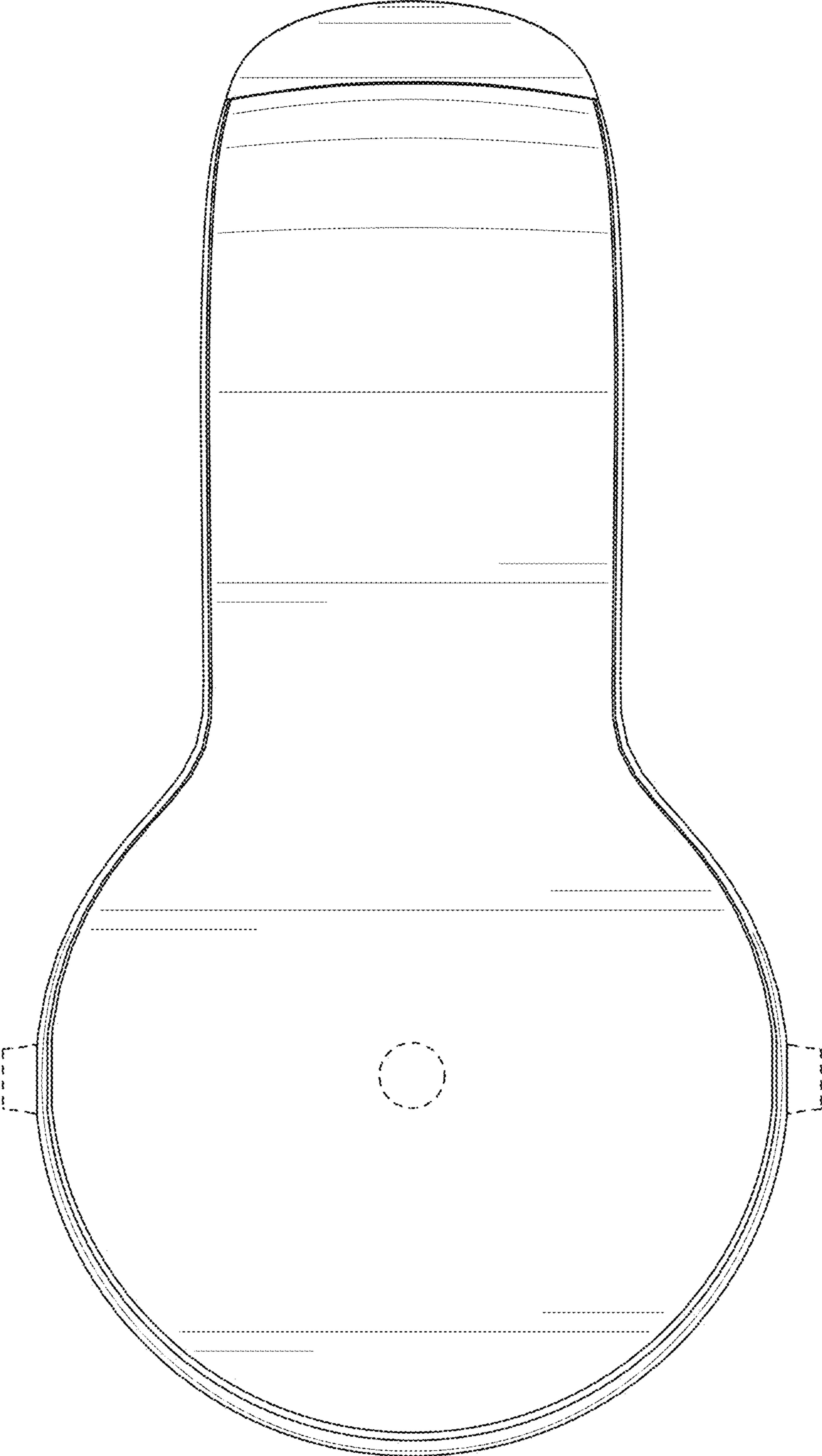


FIG. 4

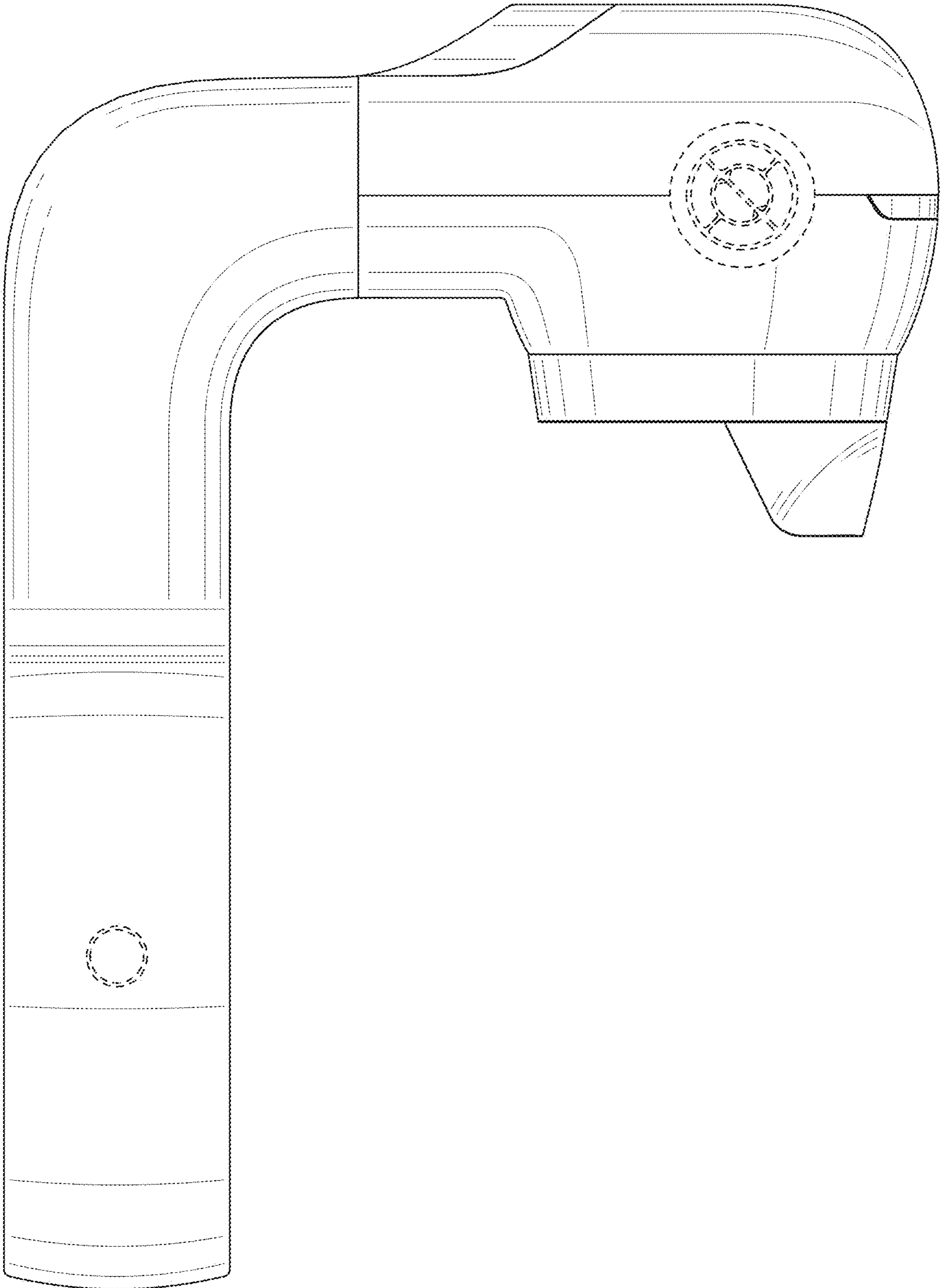


FIG. 5

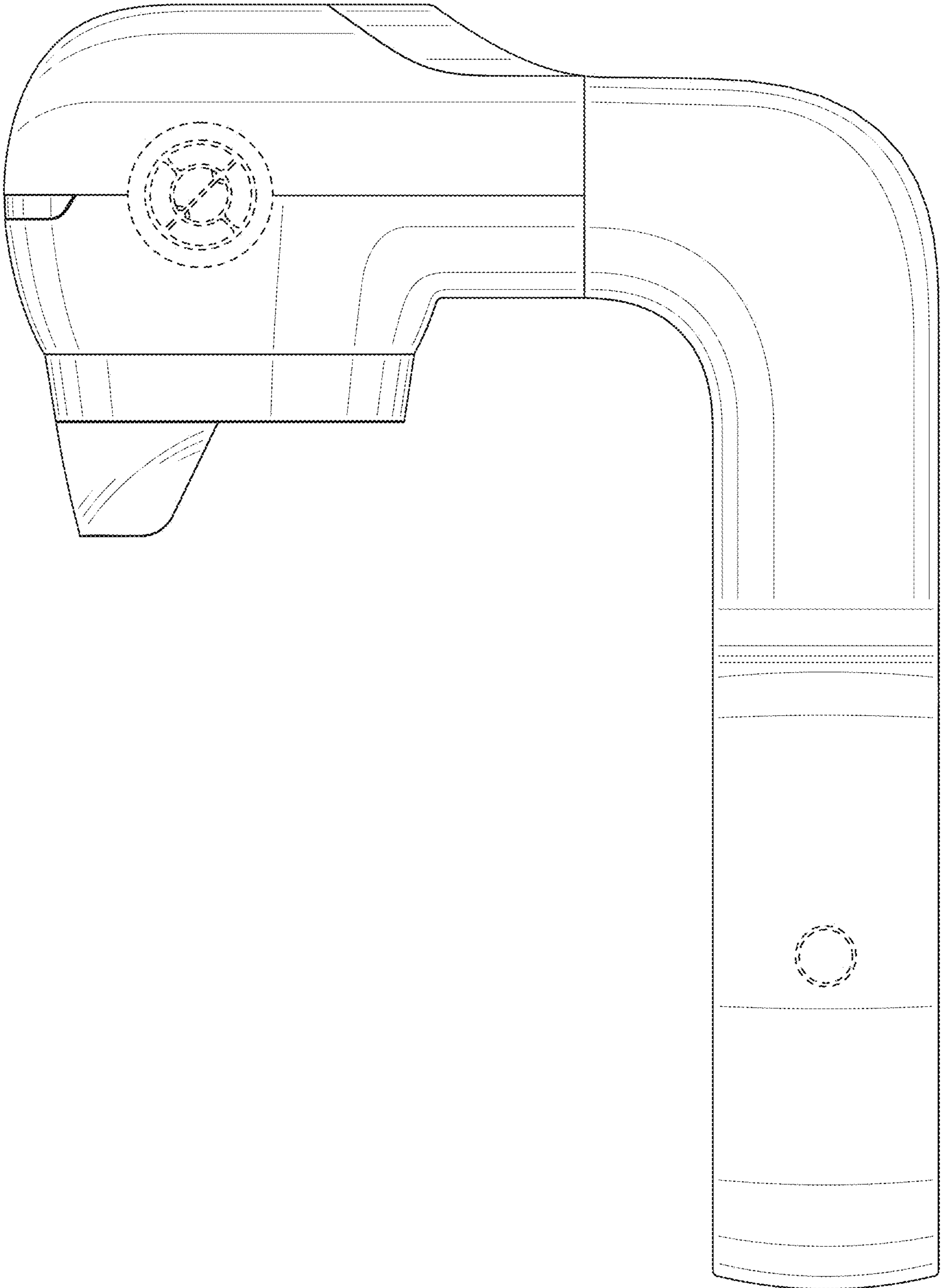


FIG. 6

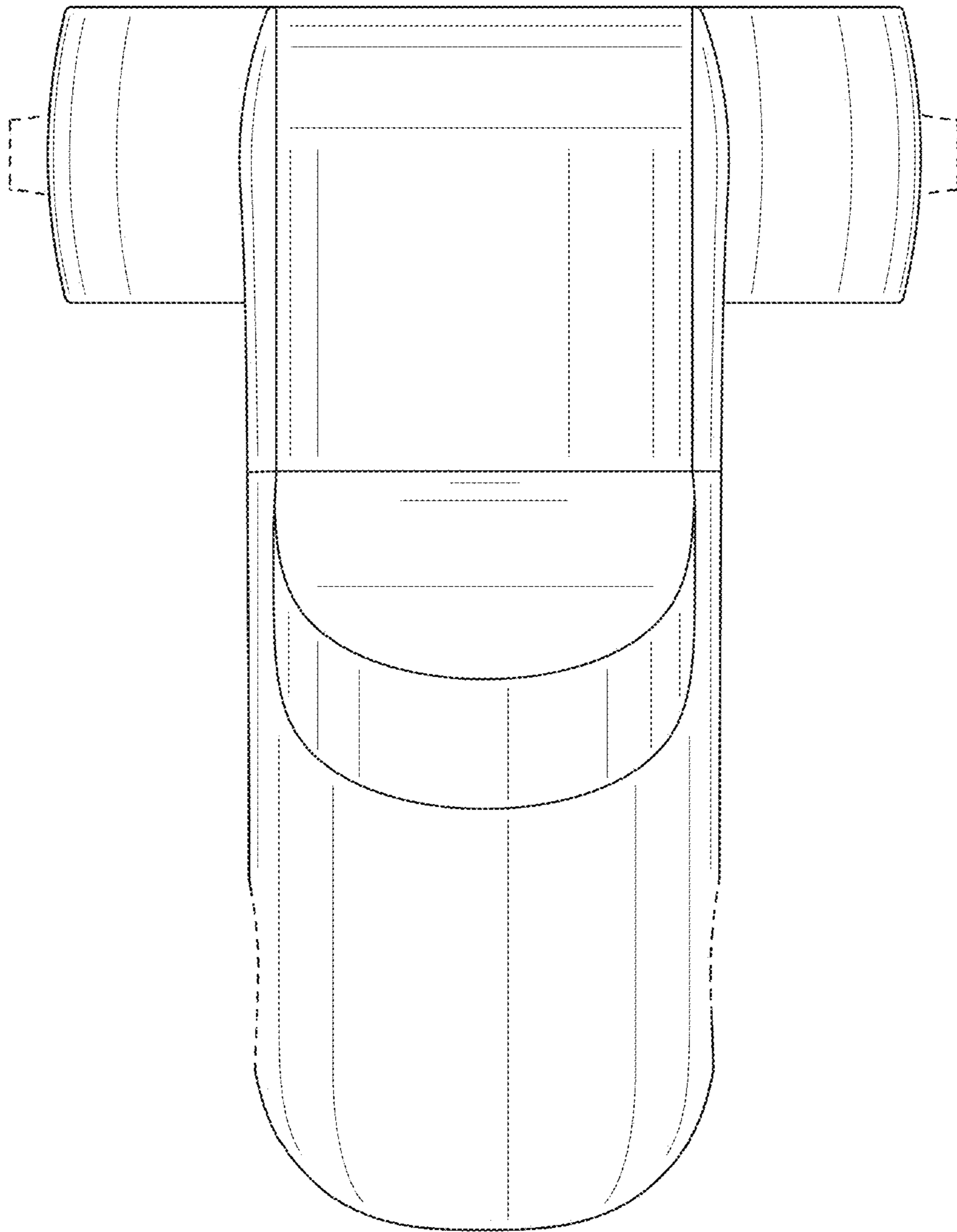


FIG. 7

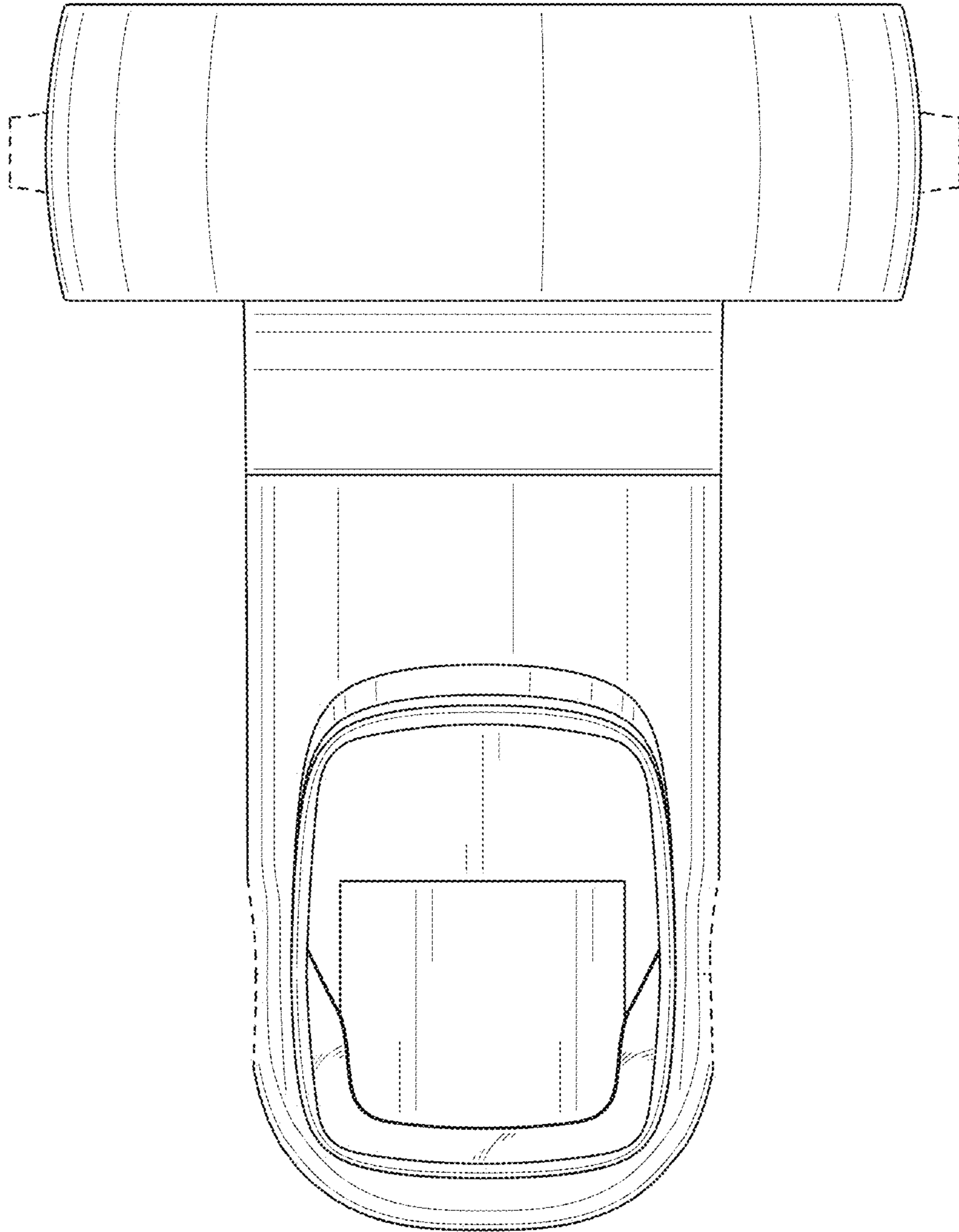


FIG. 8