



US00D893725S

(12) **United States Design Patent**
You et al.

(10) **Patent No.:** **US D893,725 S**

(45) **Date of Patent:** **** Aug. 18, 2020**

(54) **COIL SYSTEM FOR A MEDICAL IMAGING SYSTEM**

(71) Applicant: **Siemens Healthcare GmbH**, Erlangen (DE)

(72) Inventors: **Jun You**, Shenzhen (CN); **Zeng He He**, Shenzhen (CN); **Wen Ming Li**, Shenzhen (CN)

(73) Assignee: **Siemens Healthcare GmbH**, Erlangen (DE)

(**) Term: **15 Years**

(21) Appl. No.: **29/658,865**

(22) Filed: **Aug. 3, 2018**

(30) **Foreign Application Priority Data**

Feb. 5, 2018 (CN) 2018 3 0054272

(51) **LOC (12) Cl.** **24-01**

(52) **U.S. Cl.**
USPC **D24/158**

(58) **Field of Classification Search**
USPC D24/107, 158-161, 186
CPC A61B 5/0042; A61B 5/055; A61B 6/03; A61B 6/035; G01R 33/283; G01R 33/34084; G01R 33/34069; G01R 33/4806; G01R 33/4812; G03B 21/145; G03B 21/30; G03B 21/54; G03B 21/585
See application file for complete search history.

(56) **References Cited**

U.S. PATENT DOCUMENTS

D380,832 S * 7/1997 Isshiki D24/158
D557,418 S * 12/2007 Onuma D24/158
D570,484 S * 6/2008 Kaneko D24/158
D591,862 S * 5/2009 Taniguchi D24/158
D726,917 S * 4/2015 Kim D24/158

9,116,212 B2 * 8/2015 Fischer G01R 33/30
D742,523 S * 11/2015 Sul D24/158
D862,698 S * 10/2019 Chen D24/158
2018/0136293 A1 * 5/2018 Xie A61B 5/055
2018/0252782 A1 * 9/2018 You G01R 33/34092

* cited by examiner

Primary Examiner — Anhdao Doan

(74) *Attorney, Agent, or Firm* — Schiff Hardin LLP

(57) **CLAIM**

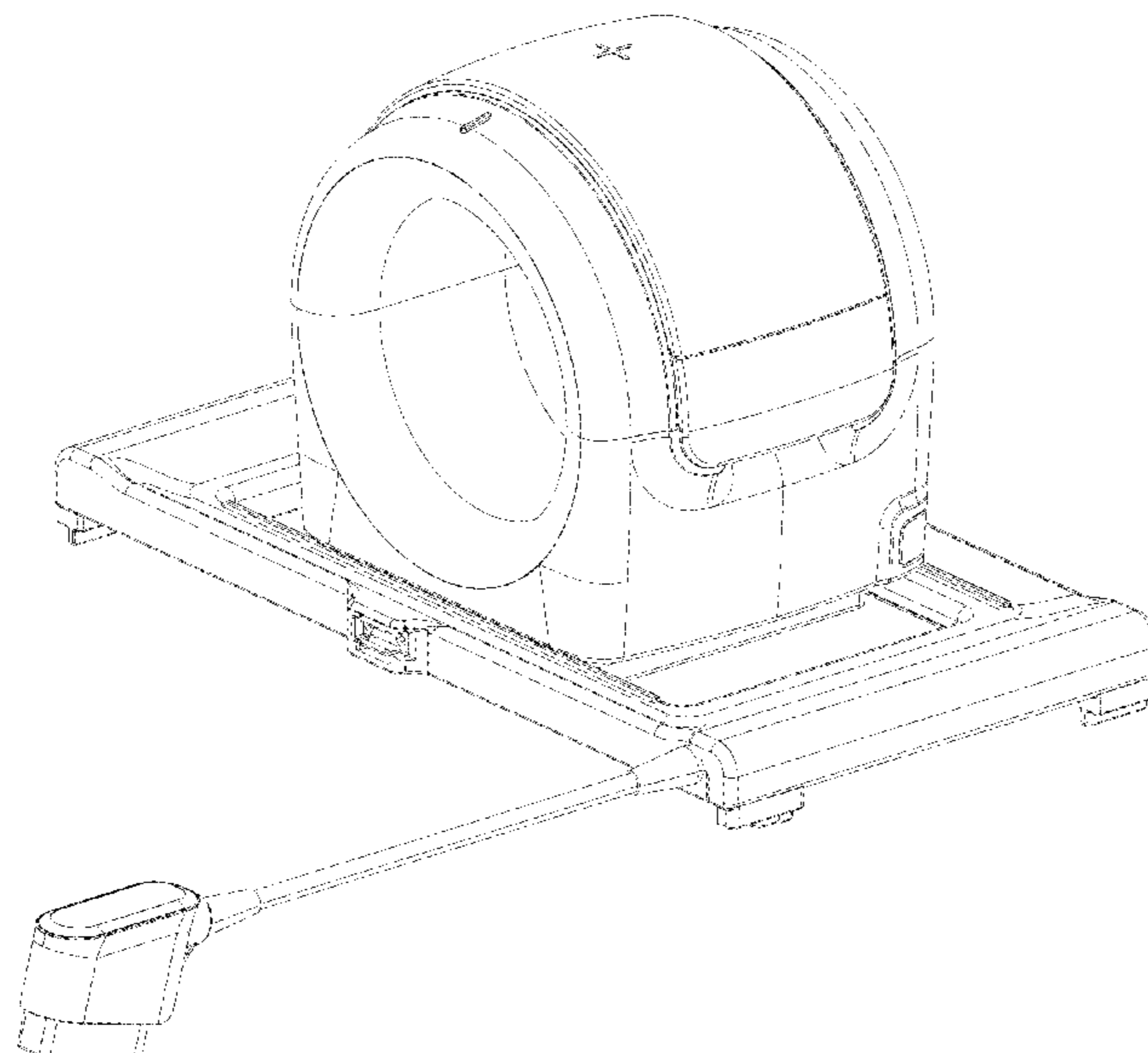
The ornamental design for a coil system for a medical imaging system, as shown and described.

DESCRIPTION

FIG. 1 is a front elevational view of a coil system for a medical imaging system showing our new design; FIG. 2 is a back elevational view thereof; FIG. 3 is a top plan view thereof; FIG. 4 is a bottom plan view thereof; FIG. 5 is a right side elevational view thereof; FIG. 6 is a left side elevational view thereof; and FIG. 7 is a perspective view taken generally from the front, top, and right-hand side thereof. FIG. 8 is a perspective view taken generally from the back, top, and left-hand side thereof. FIG. 9 is a top plan view thereof with the coil omitted for clarity of disclosure. FIG. 10 is a perspective view thereof showing the coil positioned at a right-side position on the base. FIG. 11 is a perspective view thereof showing the coil positioned at a left-side position on the base; and, FIG. 12 is an exploded perspective view thereof showing the top portion of the coil being separated from the lower portion of the coil.

The broken lines shown in the drawings represent portions of the coil system for a medical imaging system that form no part of the claimed design.

1 Claim, 12 Drawing Sheets



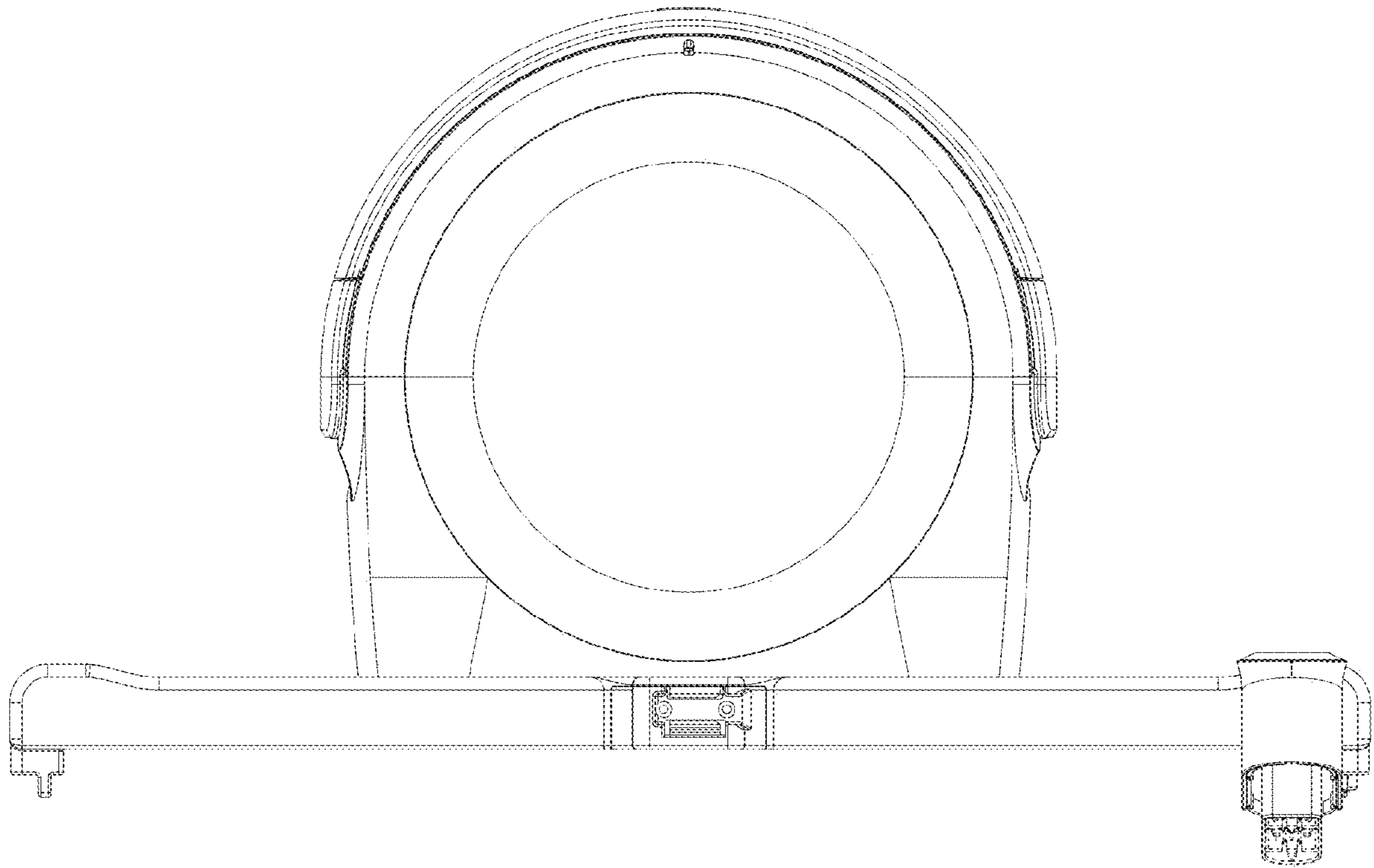


FIG. 1

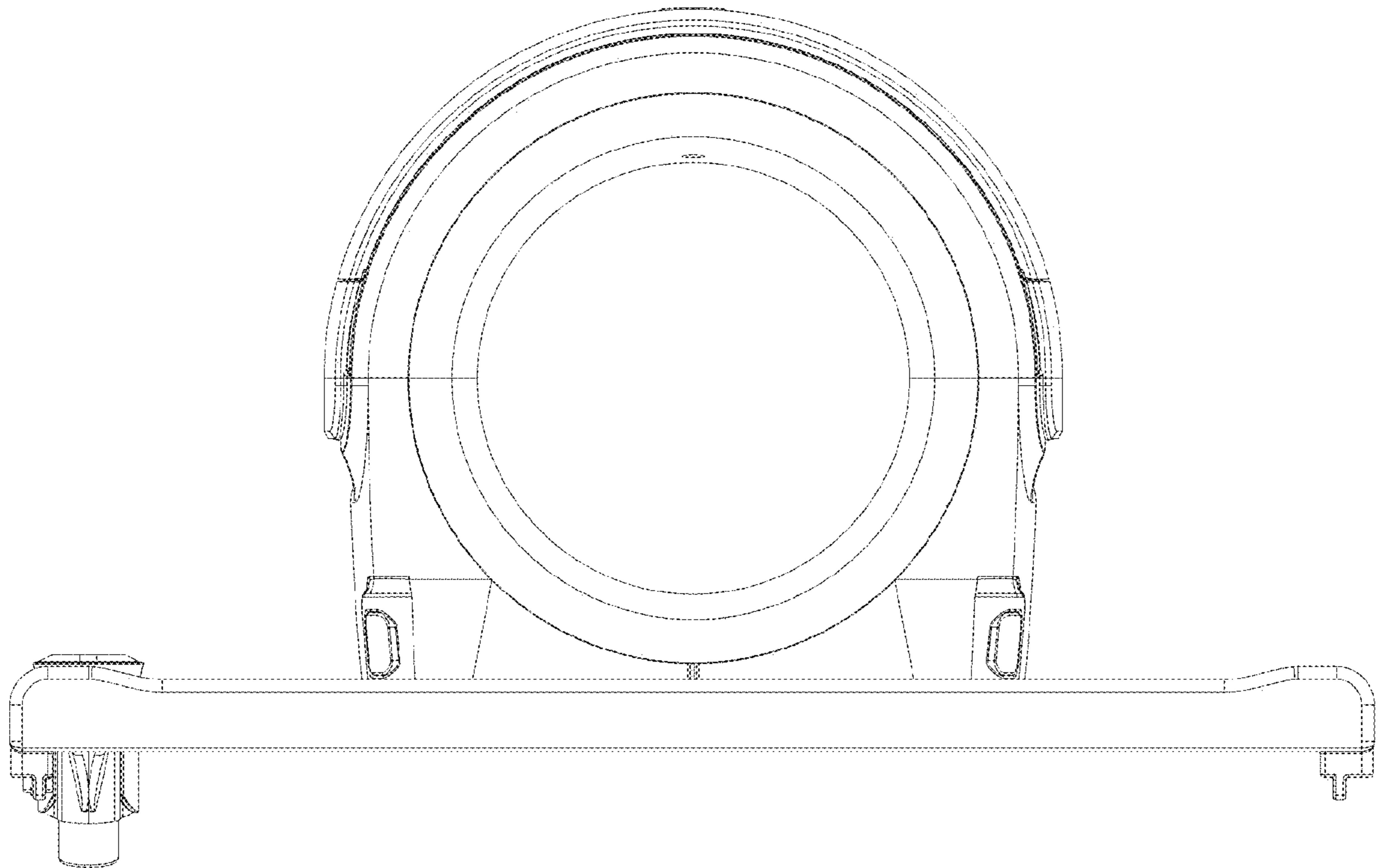


FIG. 2

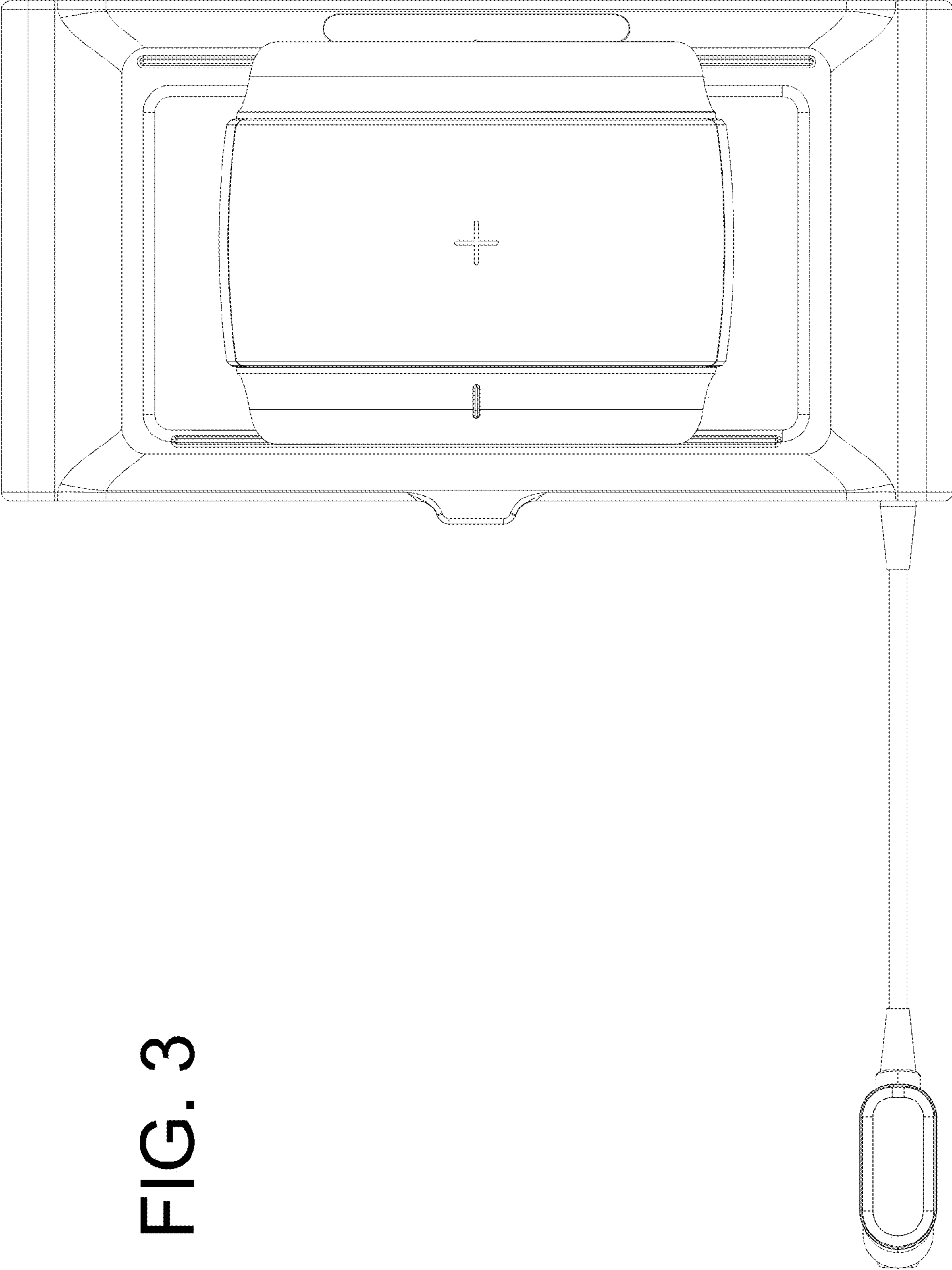


FIG. 3

FIG. 4

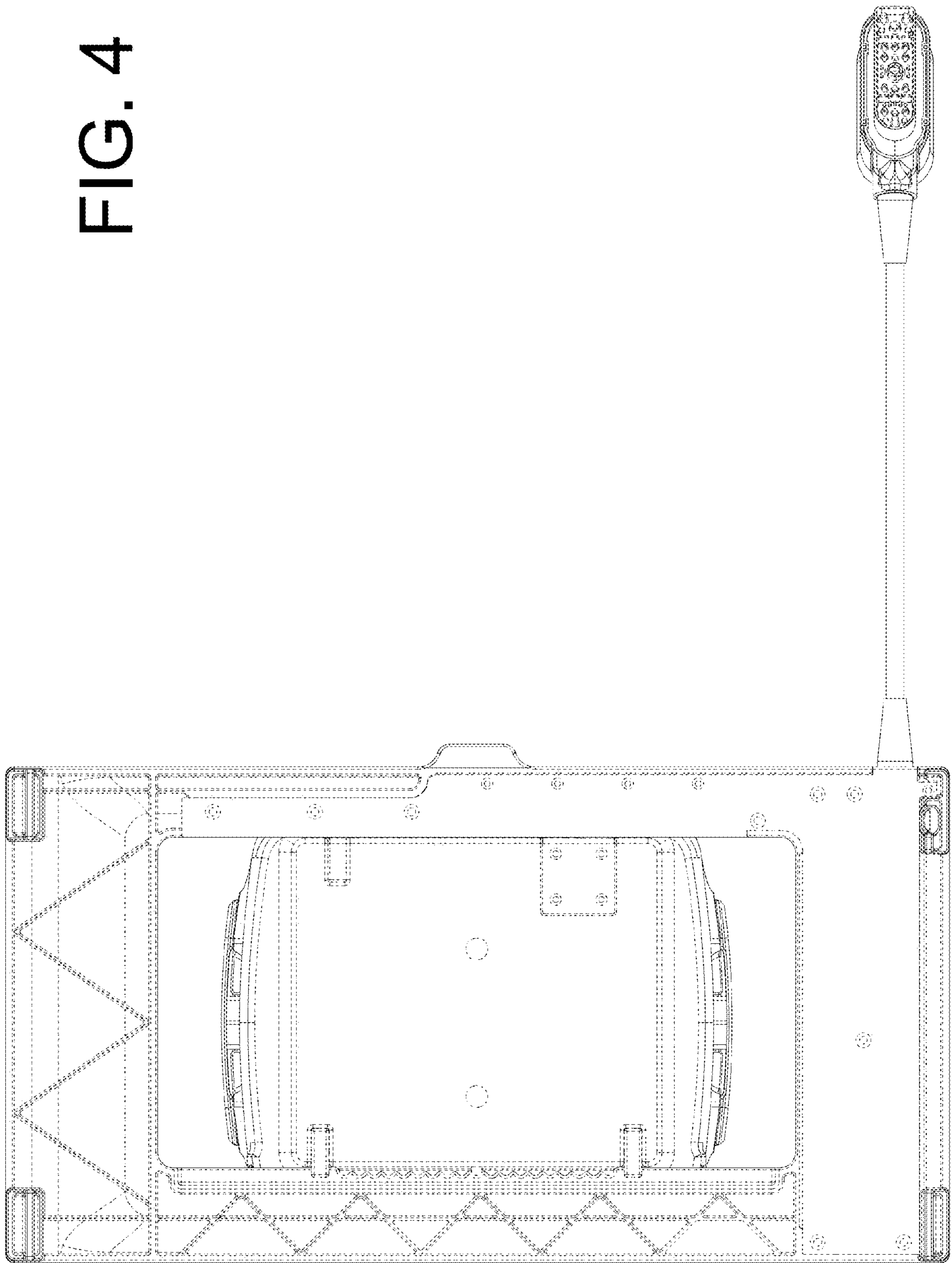
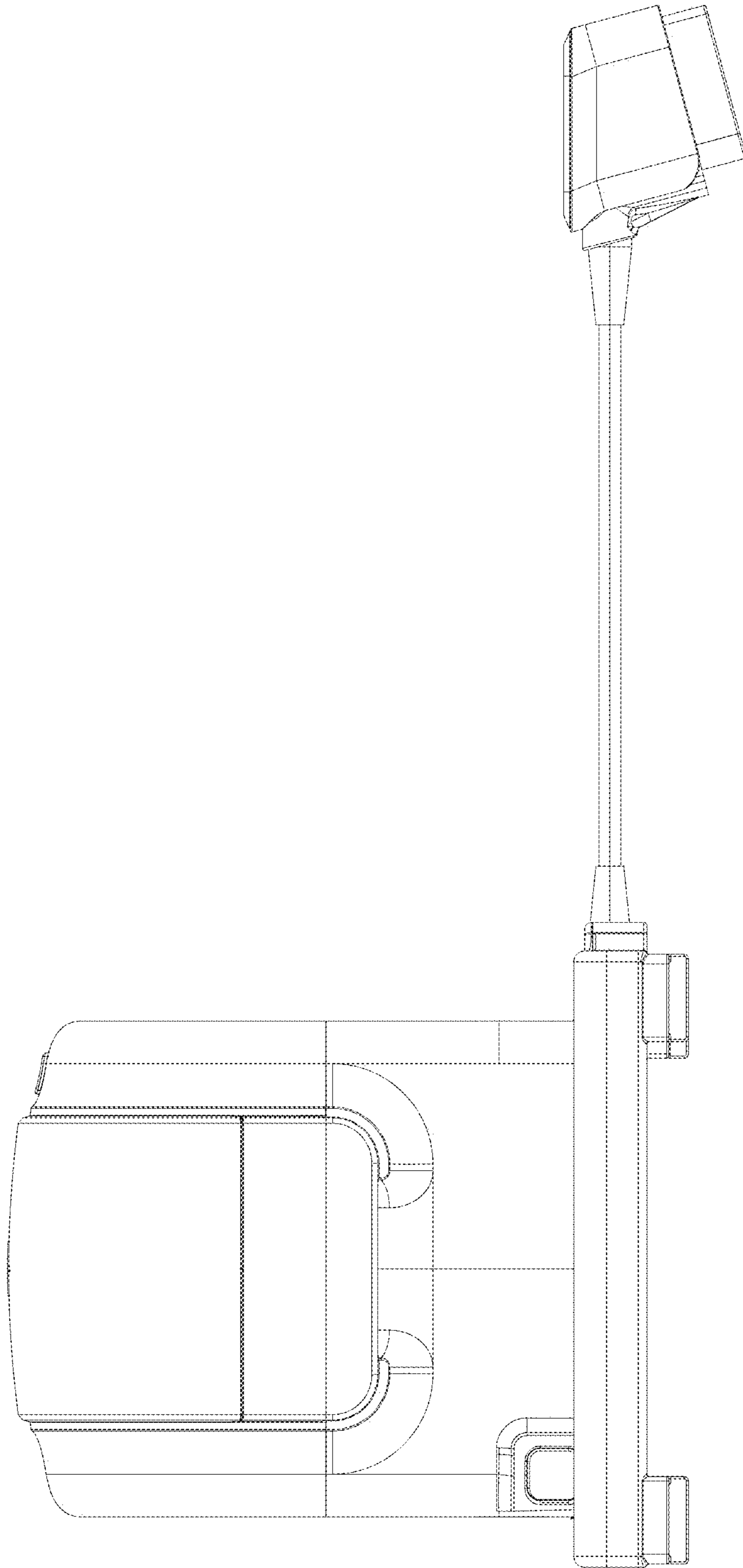


FIG. 5



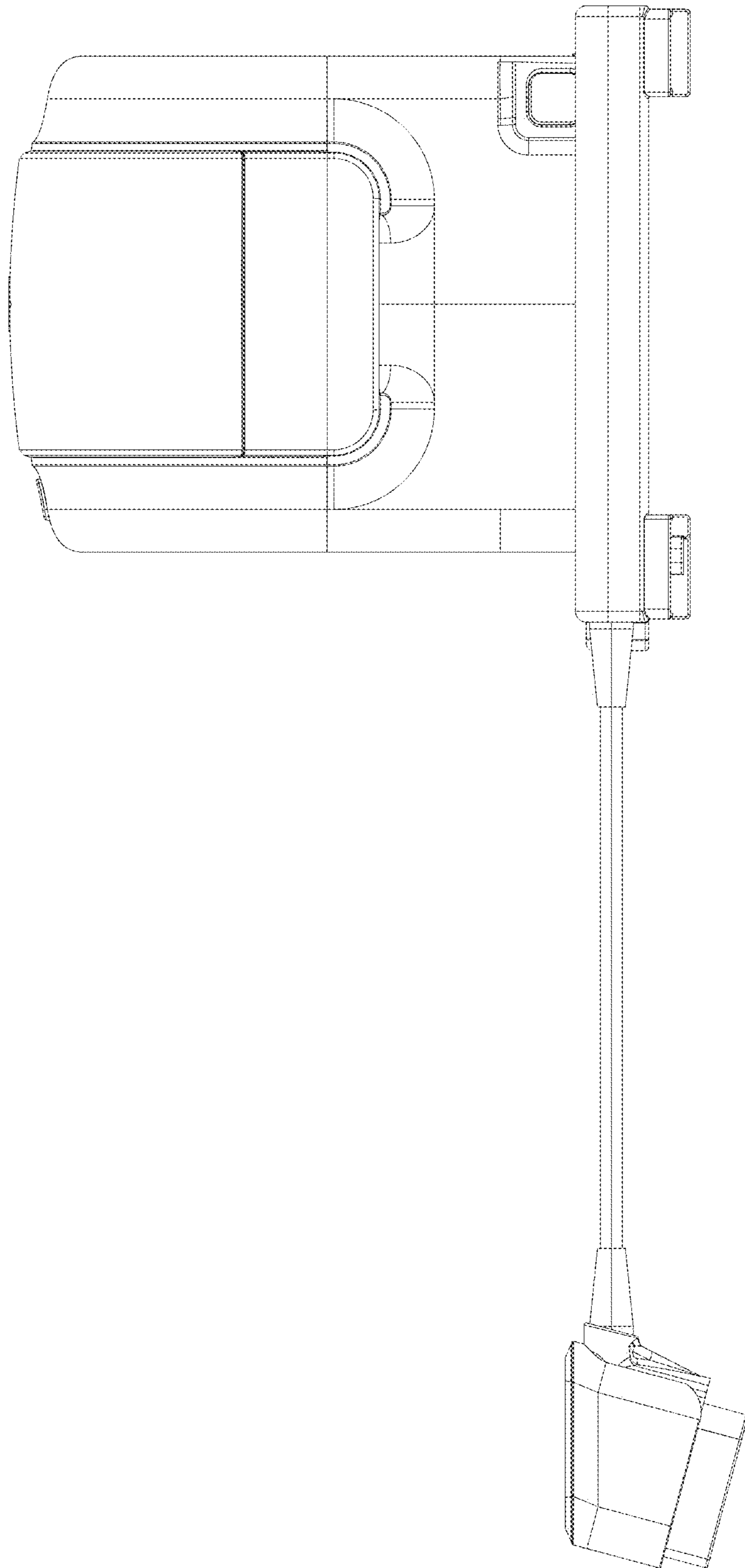


FIG. 6

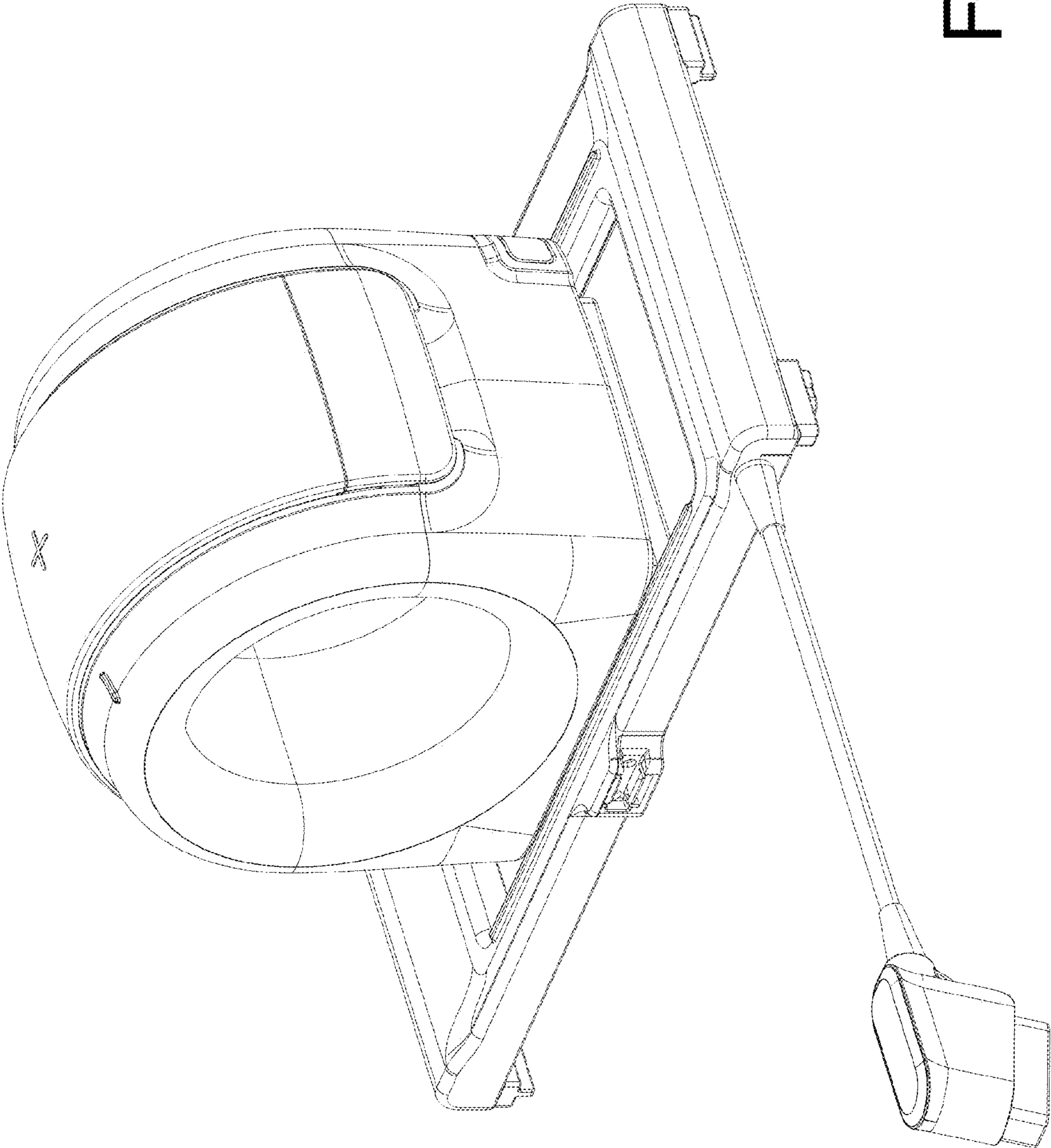


FIG. 7

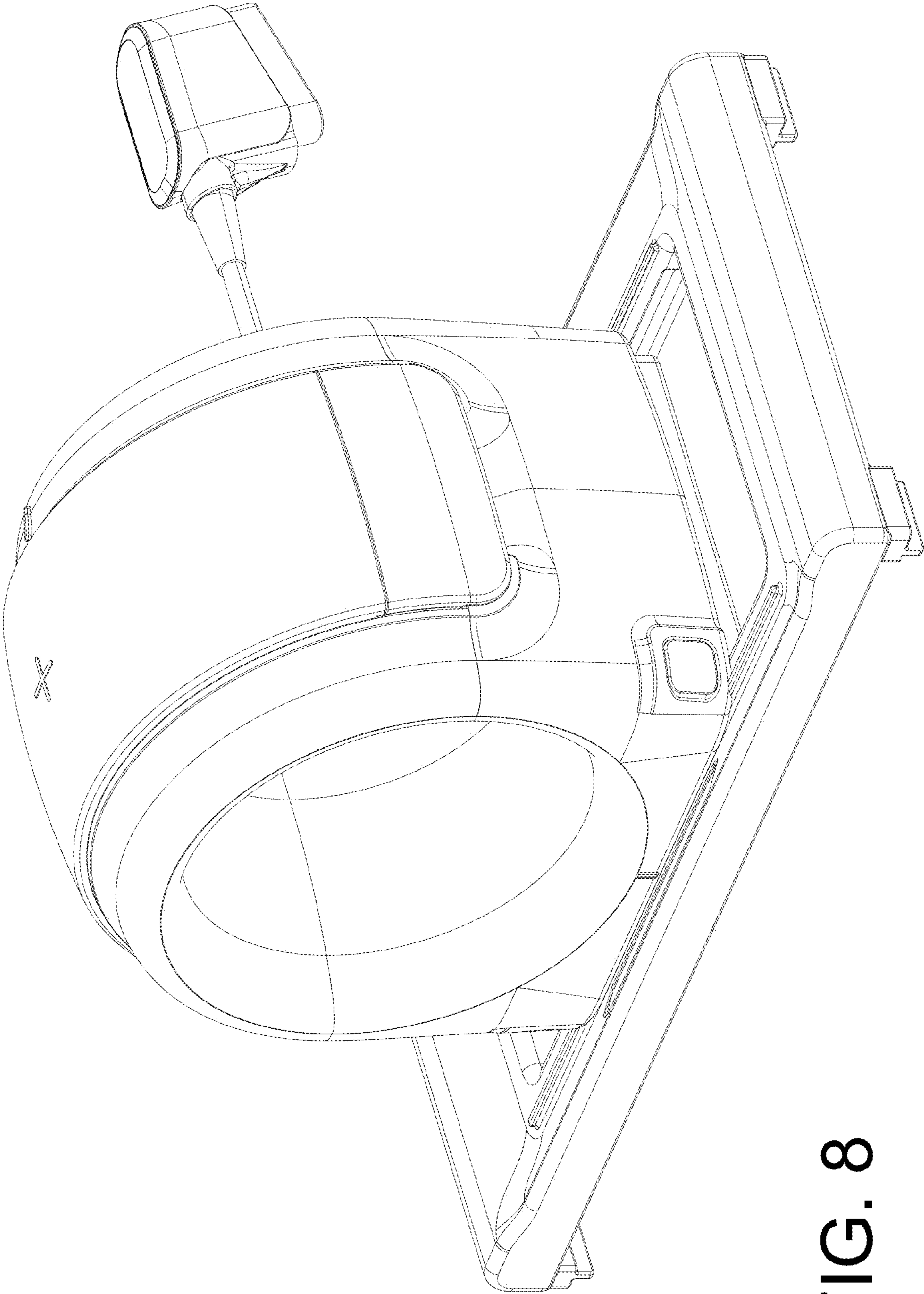


FIG. 8

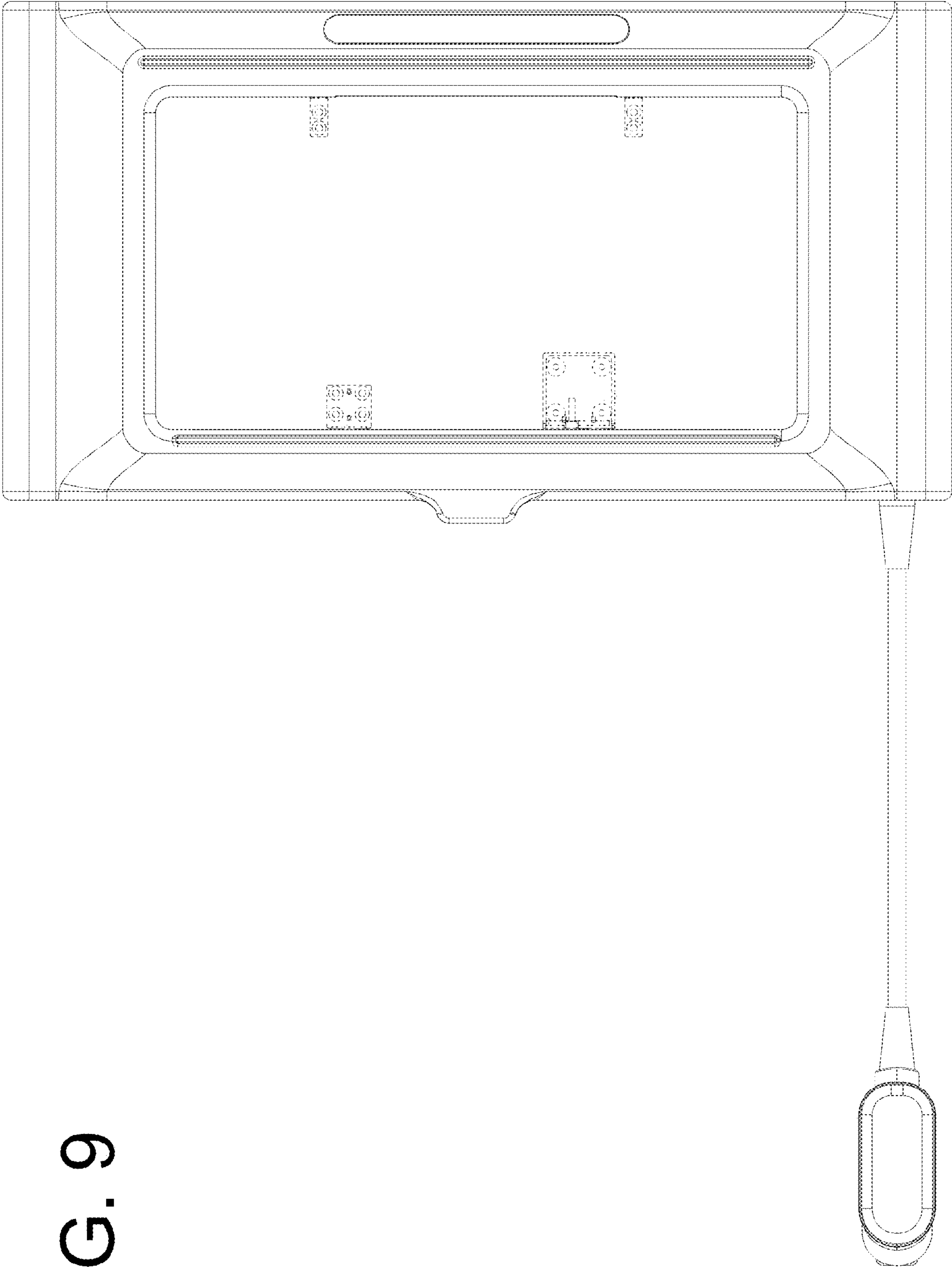


FIG. 9

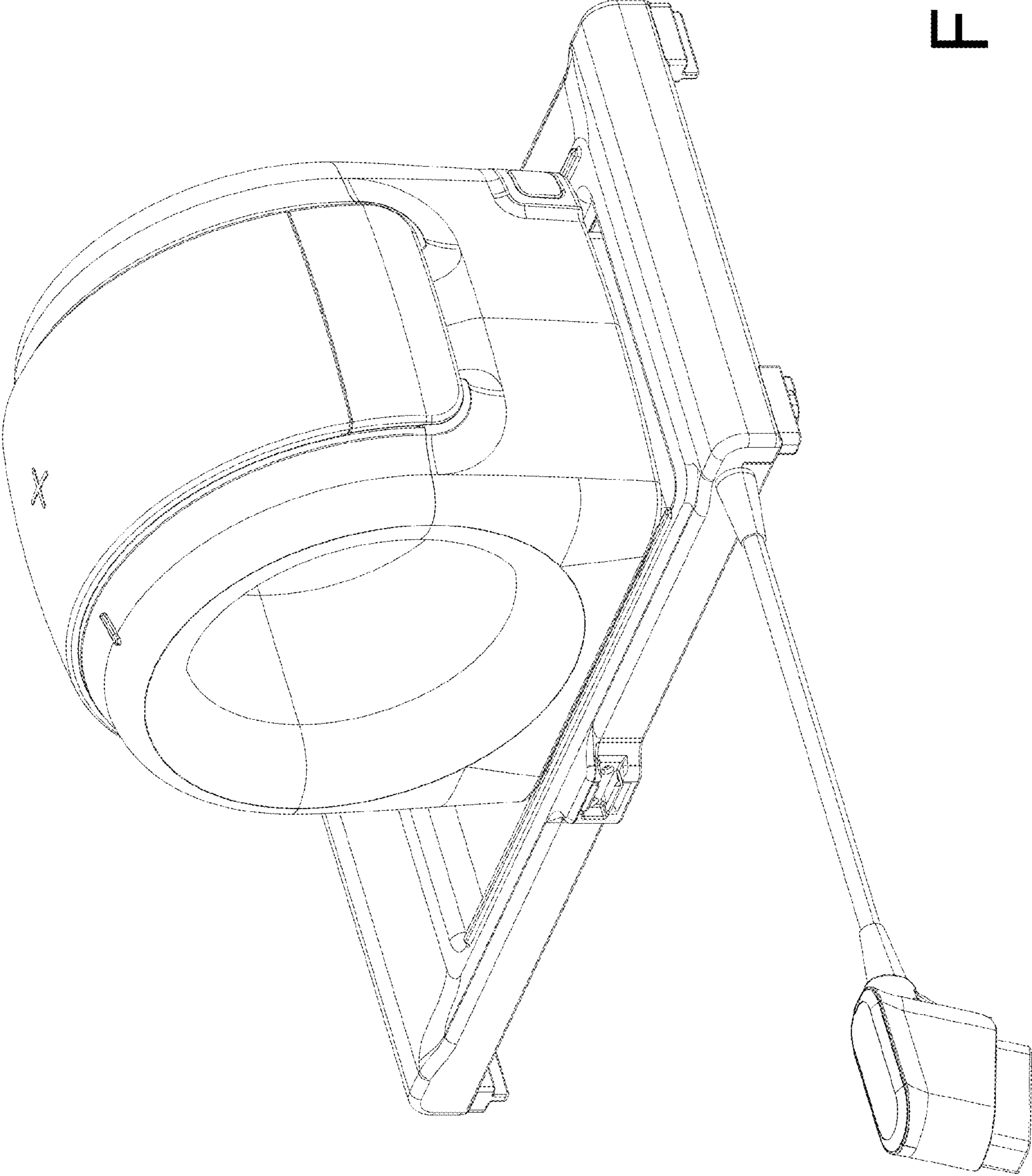


FIG. 10

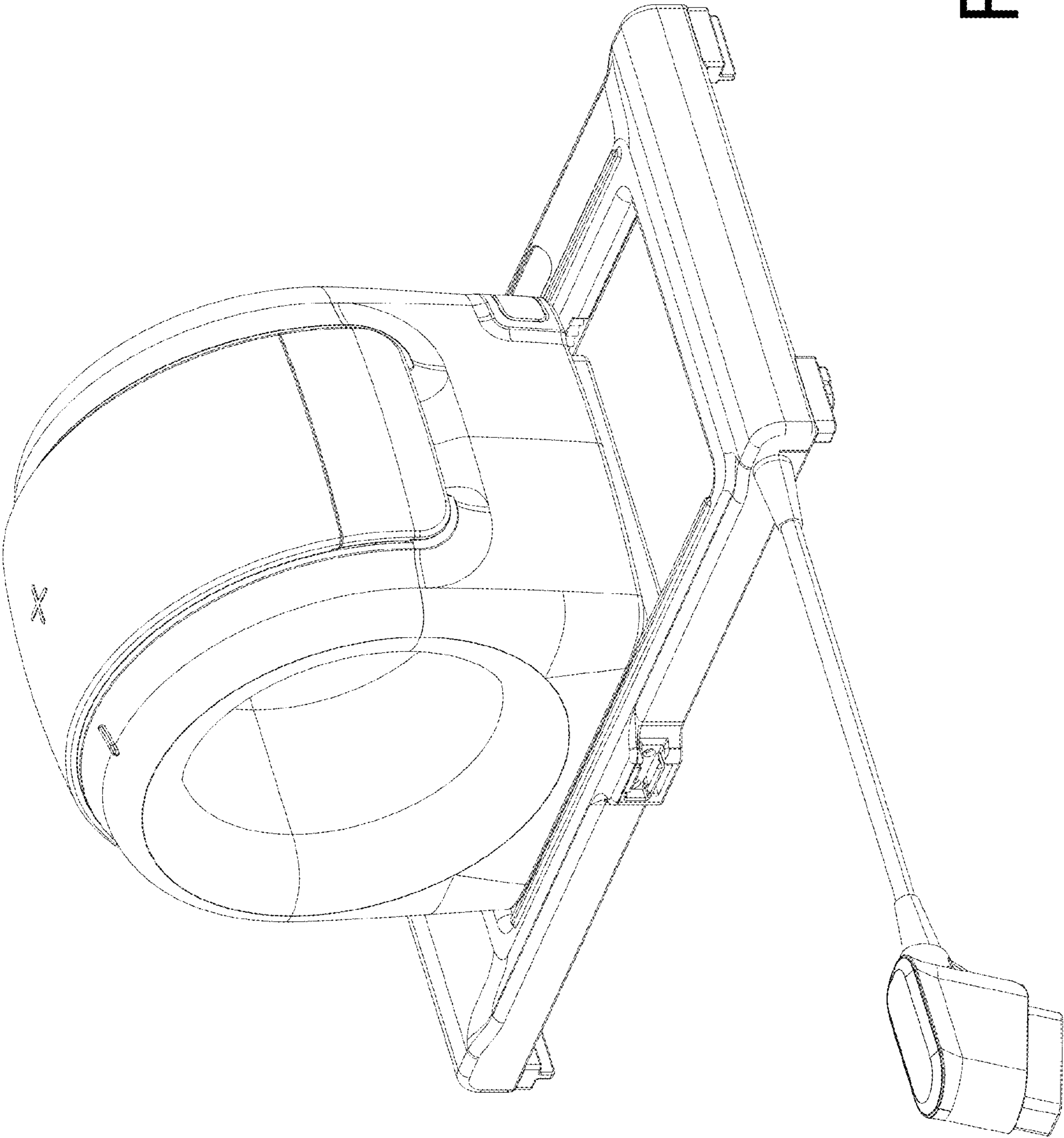


FIG. 11

FIG. 12

