



US00D893724S

(12) **United States Design Patent**
Ben-Yehouda

(10) **Patent No.:** **US D893,724 S**

(45) **Date of Patent:** **** Aug. 18, 2020**

- (54) **DENTAL IMPLANT**
- (71) Applicant: **Gravity Implants Ltd.**, Moshav Mevo Beitar (IL)
- (72) Inventor: **Amos Ben-Yehouda**, Zur Hdassa (IL)
- (73) Assignee: **Gravity Implants Ltd.**, Moshav Mevo Beitar (IL)
- (**) Term: **15 Years**

- D604,851 S * 11/2009 Ishikawa D24/156
- D605,291 S * 12/2009 Ishikawa D24/156
- D657,874 S * 4/2012 Lussi D24/156
- D659,247 S * 5/2012 Lussi D24/156
- D748,263 S * 1/2016 Ishiwata D24/156
- D765,857 S * 9/2016 Cho D24/156
- D805,642 S * 12/2017 Takahashi D24/156

* cited by examiner

Primary Examiner — Charles D Hanson

(74) *Attorney, Agent, or Firm* — The IP Law Firm of Guy Levi, LLC

- (21) Appl. No.: **29/662,617**
- (22) Filed: **Sep. 6, 2018**
- (51) **LOC (12) Cl.** **24-03**
- (52) **U.S. Cl.**
USPC **D24/156**
- (58) **Field of Classification Search**
USPC D24/155–156
CPC A61C 8/00; A61C 8/0089; A61C 8/0069;
A61C 8/0054; A61C 8/0096; A61C
8/0039; A61C 8/0063; A61C 8/006; A61C
8/0001; A61C 8/0012; A61C 8/0075;
A61C 8/0083; A61C 13/225
See application file for complete search history.

(57) **CLAIM**

I claim, the ornamental design for a dental implant, as shown and described herein.

DESCRIPTION

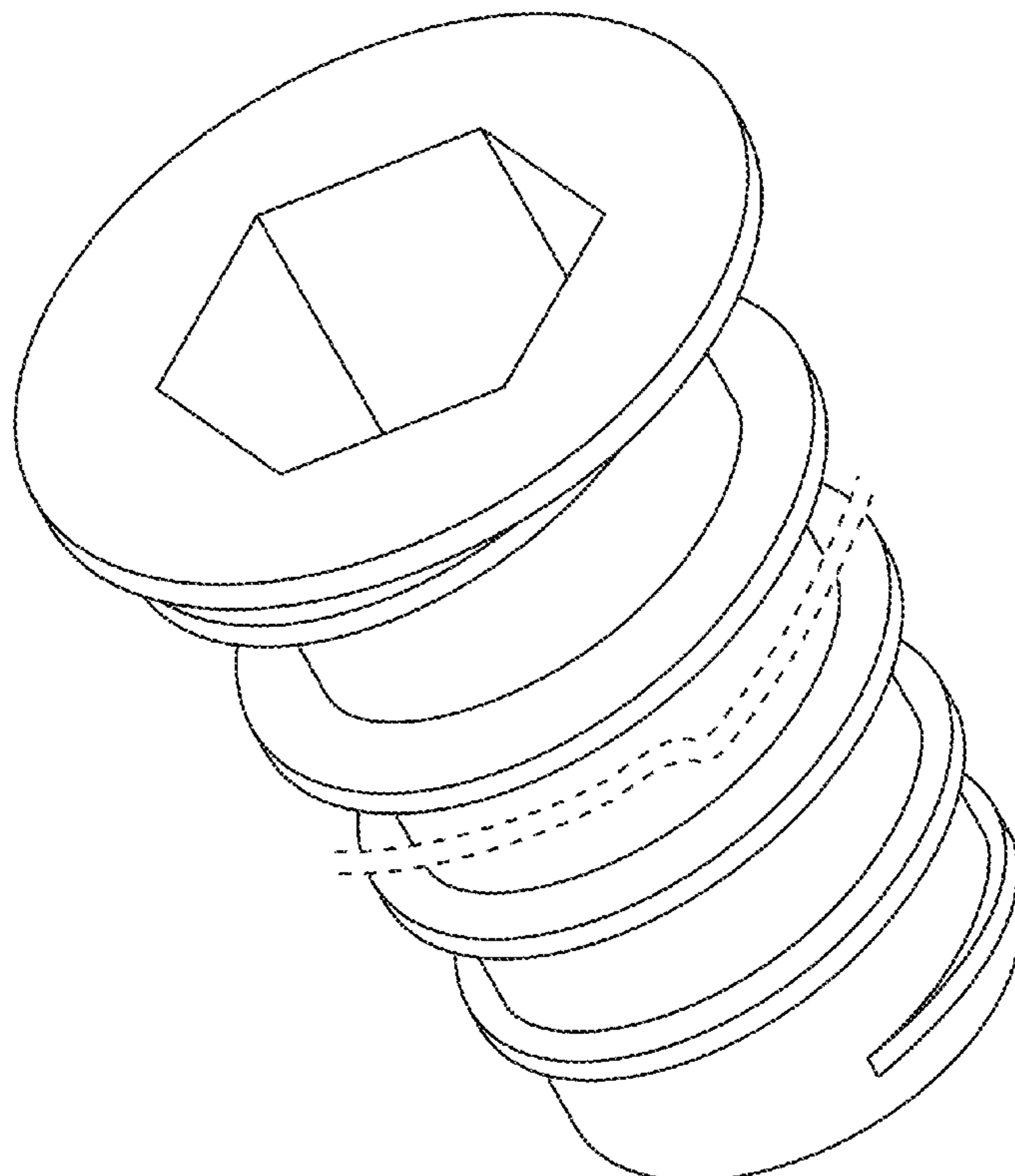
FIG. 1, shows a front right perspective view the dental implant embodying our new design;
 FIG. 2, shows a front perspective view thereof;
 FIG. 3, shows a bottom right perspective view thereof;
 FIG. 4, shows a front elevational view thereof;
 FIG. 5, shows a rear elevational view thereof;
 FIG. 6, shows a top plan view thereof; and,
 FIG. 7, shows a bottom plan view thereof.
 The break lines shown in FIGS. 1, and 3-5, form no part of the claimed design except for indicating indeterminate length. The absence of such break lines in other Figures, shall not indicate a dimensional restriction; rather, relative length of all aspects of the dental implant is indeterminate.

(56) **References Cited**

U.S. PATENT DOCUMENTS

- D562,454 S * 2/2008 Rassoli D24/156
- D578,218 S * 10/2008 Purga D24/156
- D588,699 S * 3/2009 Aldecoa D24/156
- D603,514 S * 11/2009 Emanuelli D24/156

1 Claim, 4 Drawing Sheets



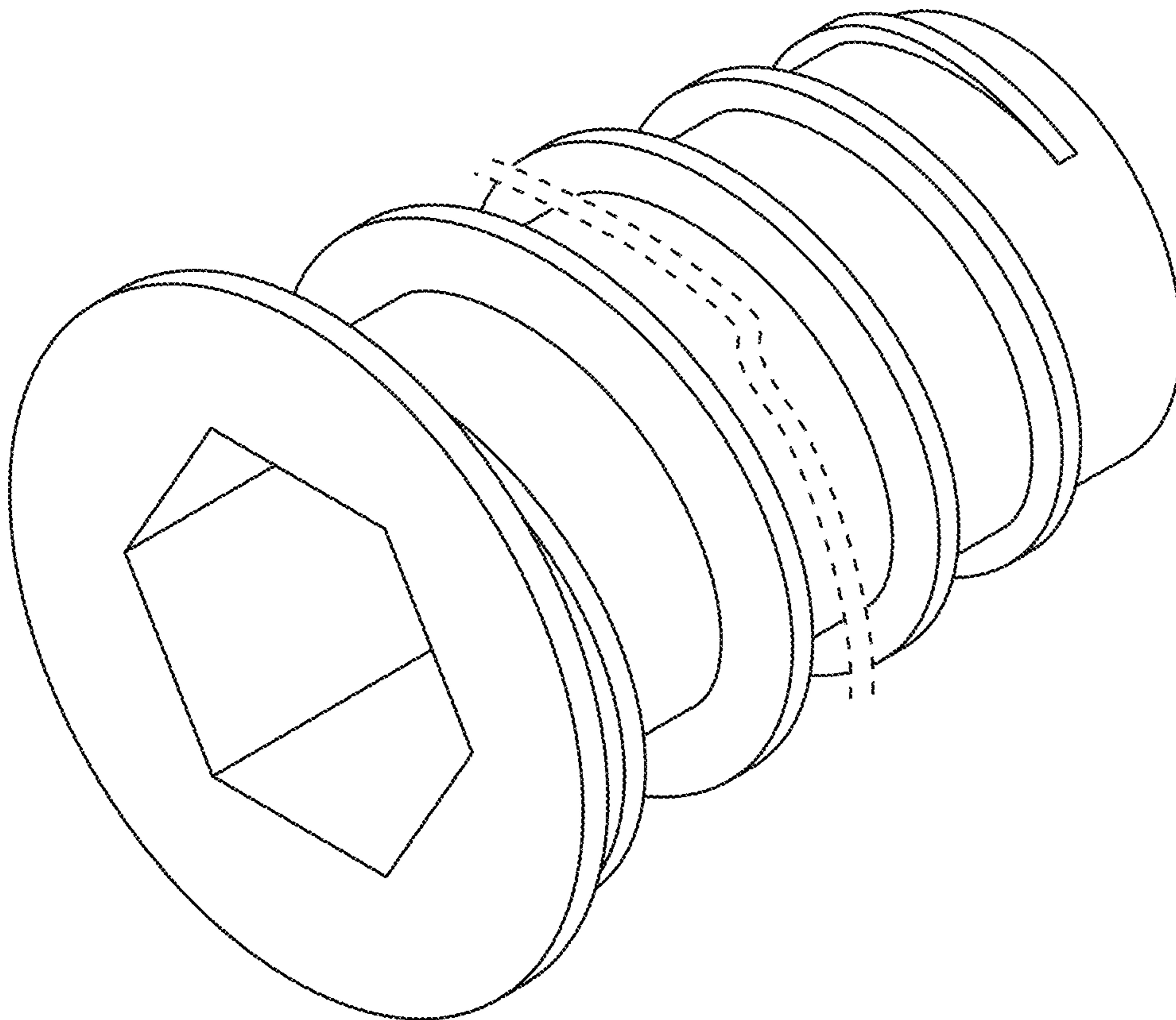


FIGURE 1

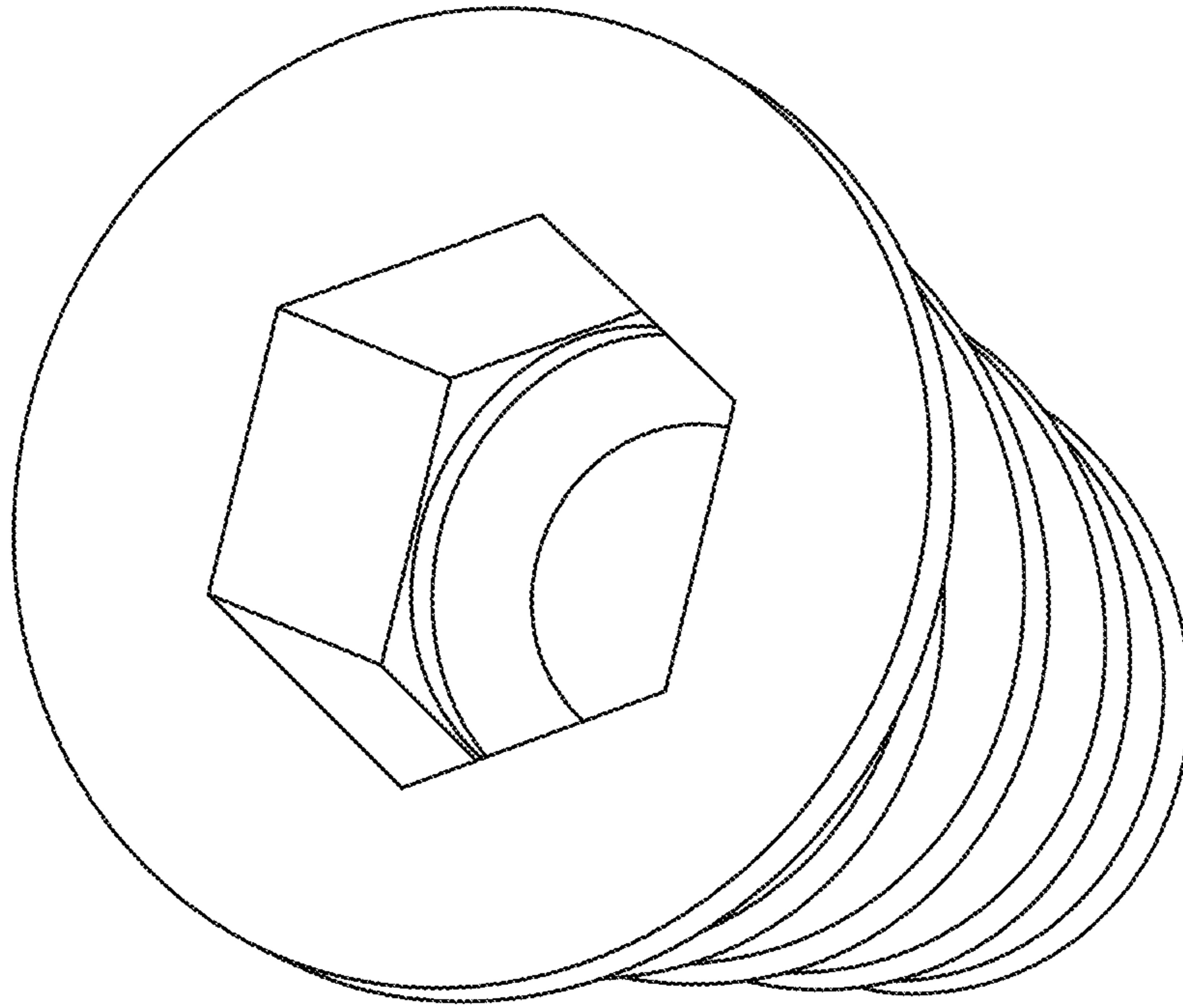


FIGURE 2

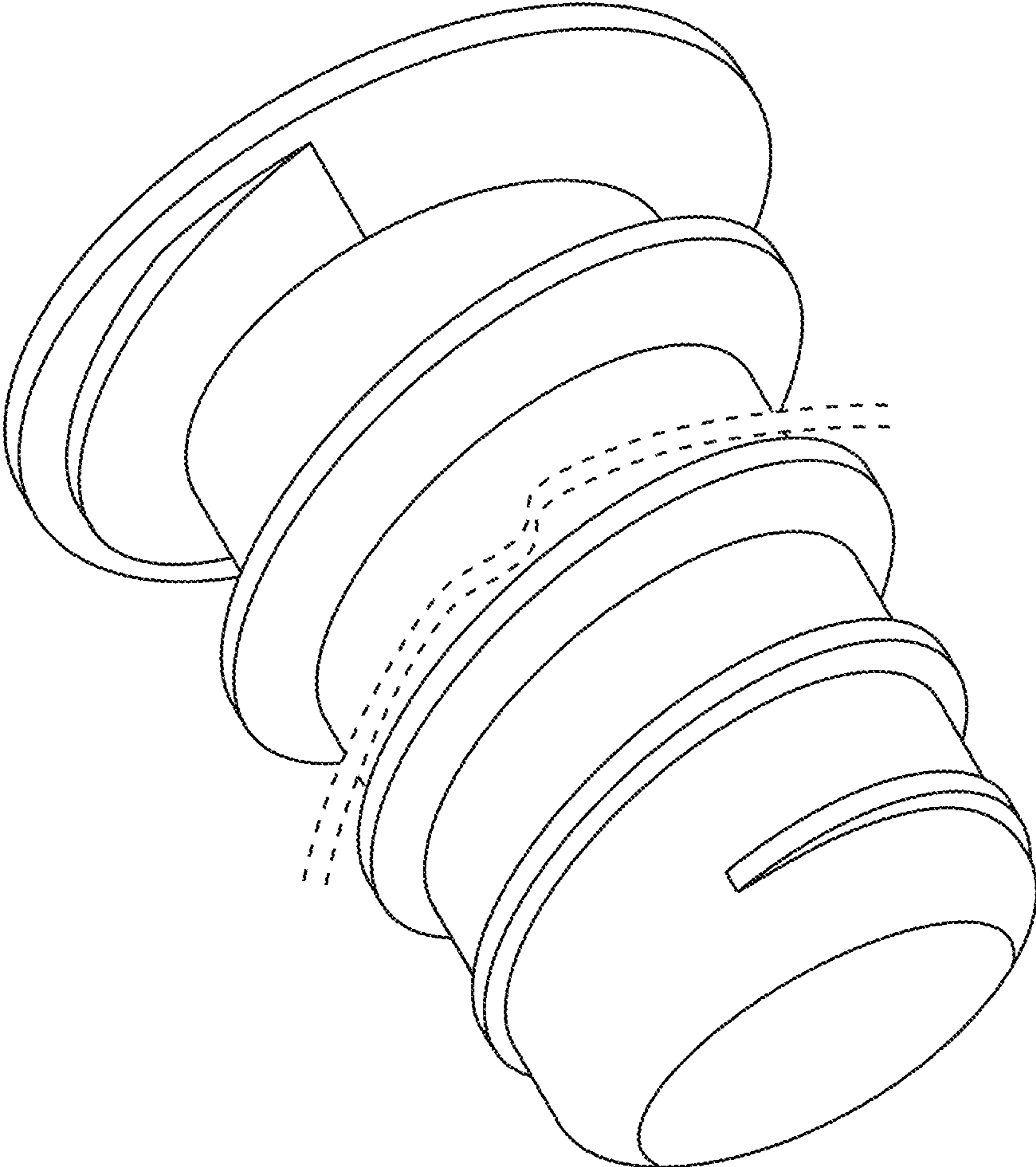


FIGURE 3

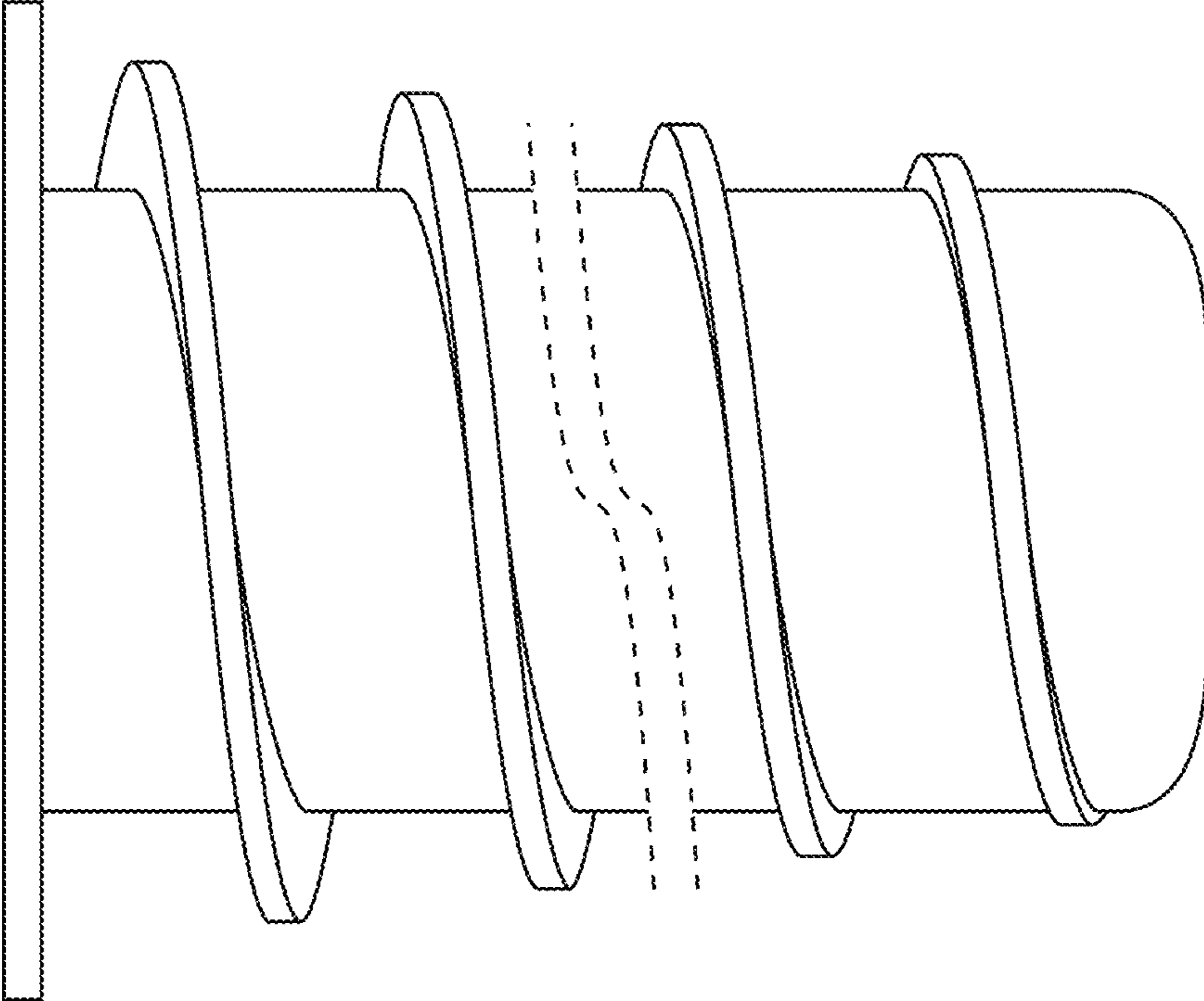


FIGURE 5

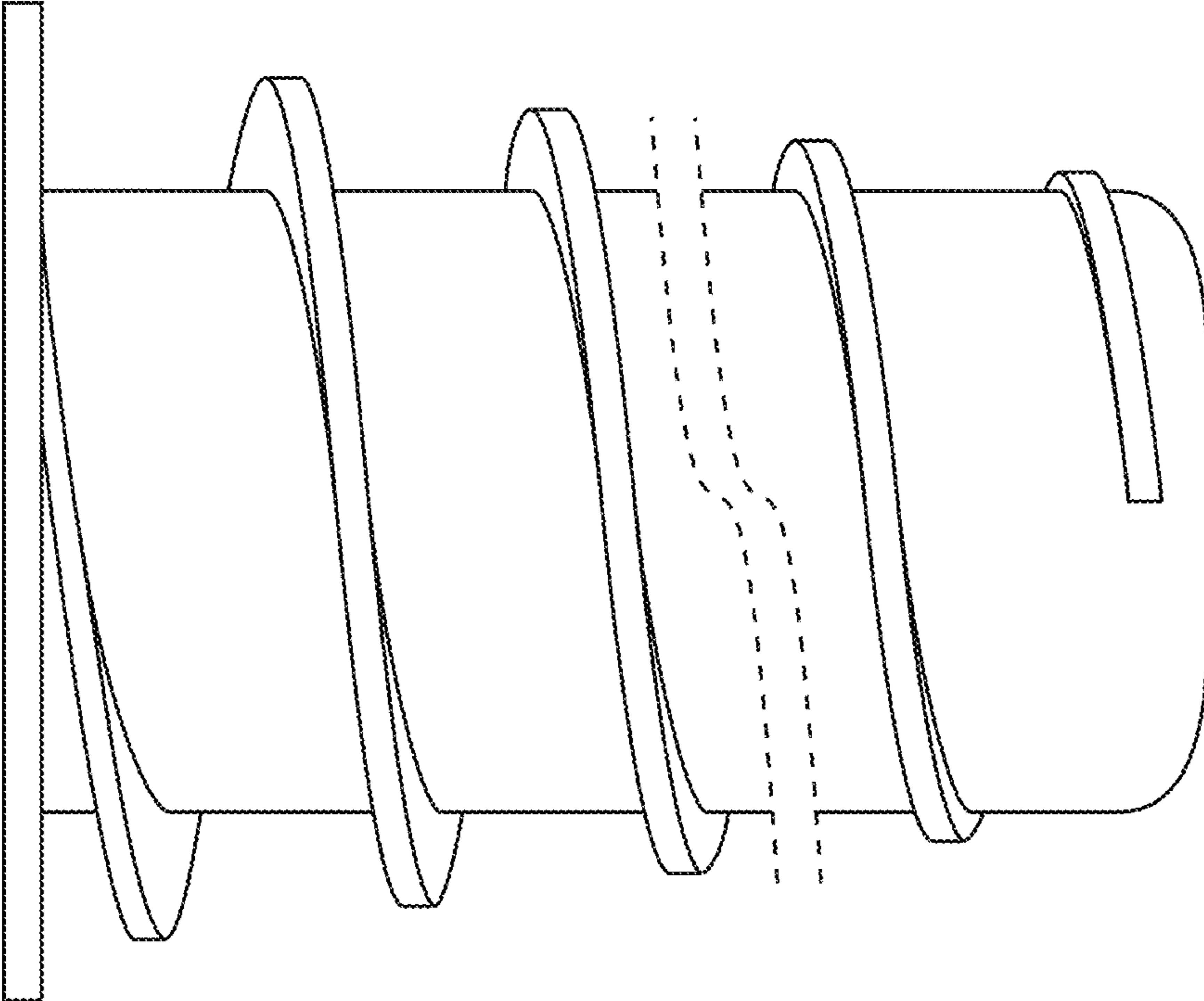


FIGURE 4

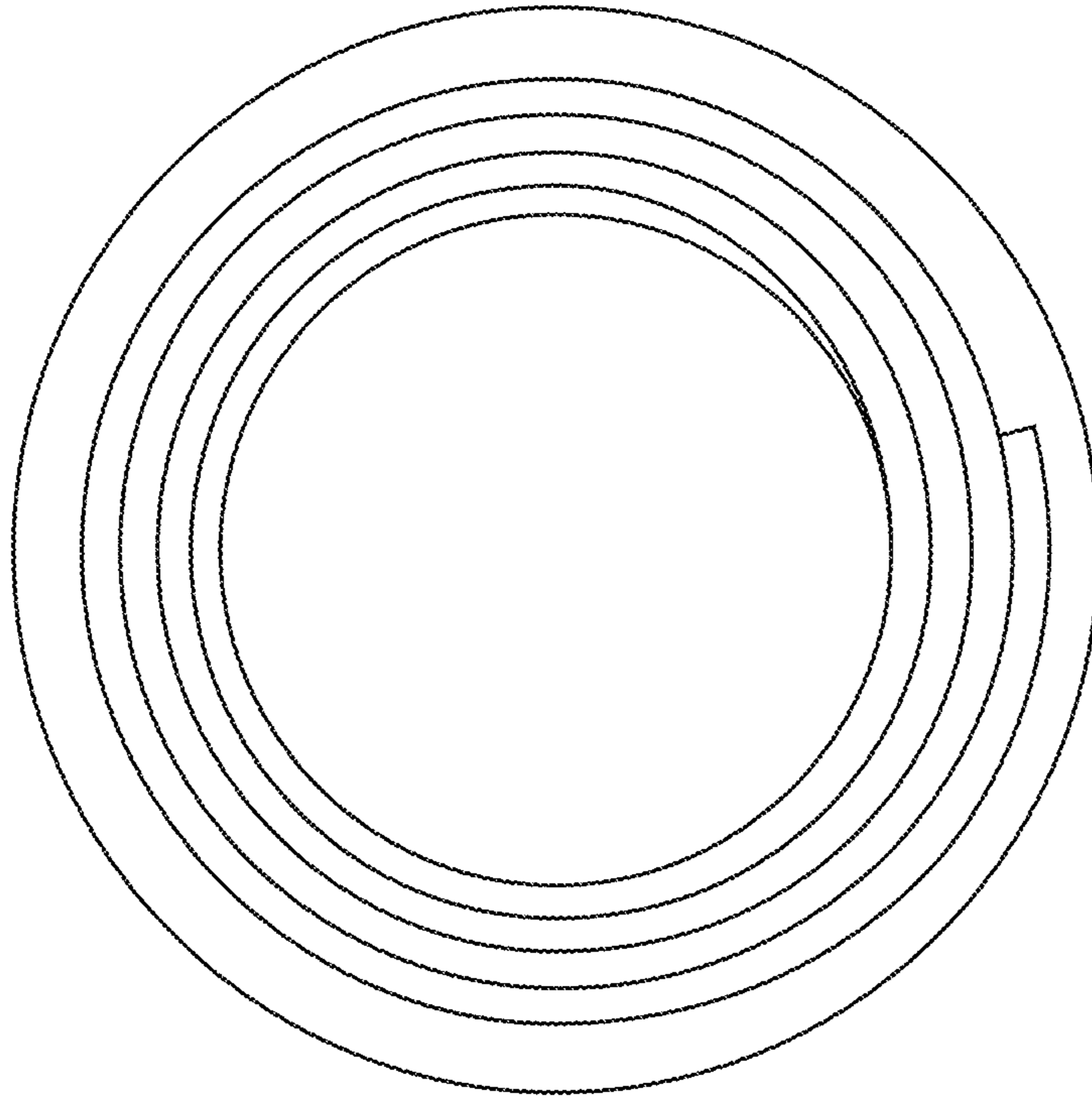


FIGURE 7

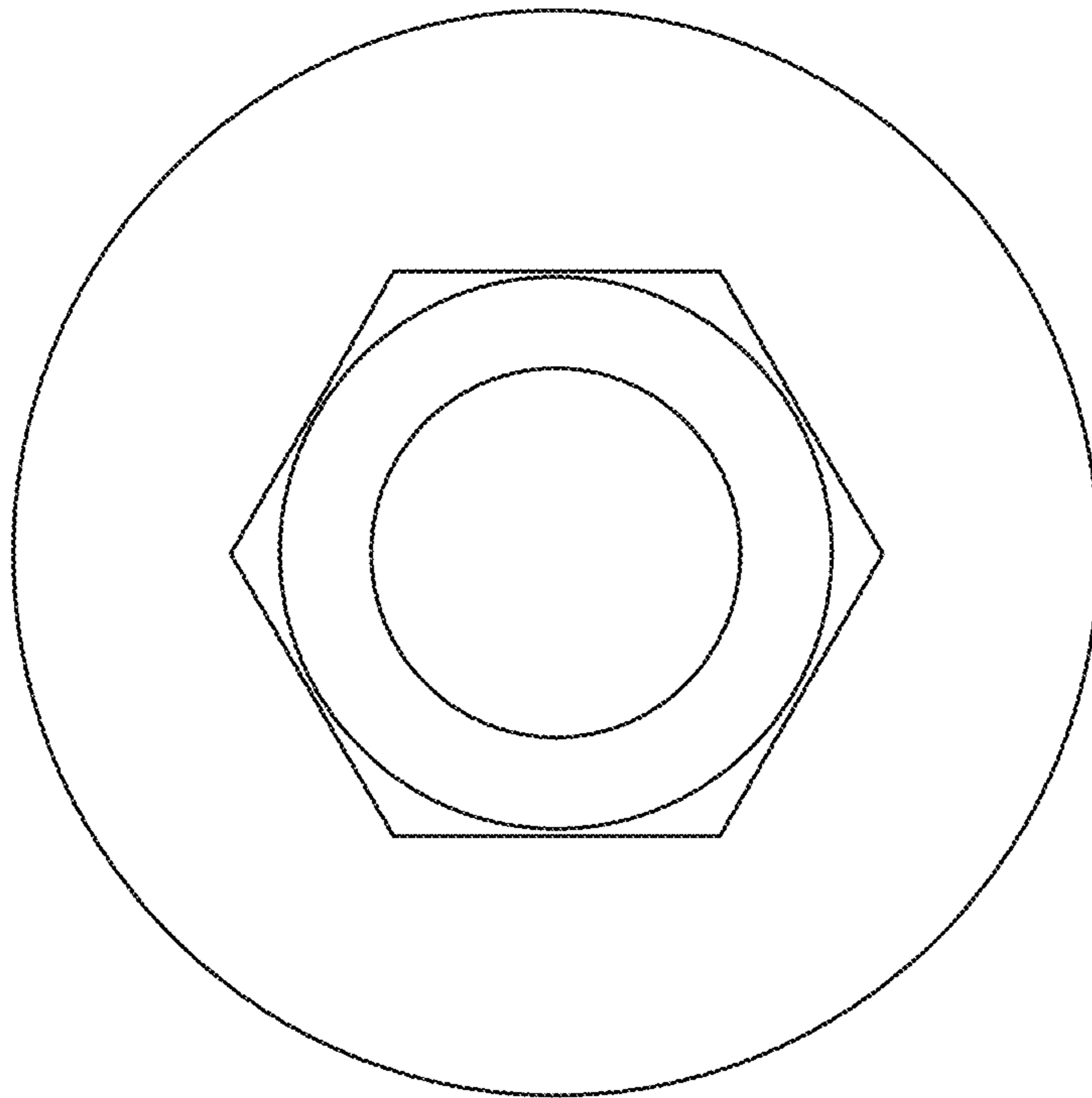


FIGURE 6