



US00D893722S

(12) **United States Design Patent**  
**Sajid et al.**

(10) **Patent No.:** **US D893,722 S**  
(45) **Date of Patent:** **\*\* Aug. 18, 2020**

- (54) **HANDLE FOR A DENTAL TOOL**
- (71) Applicant: **Gipfel Inc.**, Brooklyn, NY (US)
- (72) Inventors: **Haseeb Sajid**, Brooklyn, NY (US);  
**Hassan Malik**, Brooklyn, NY (US)
- (73) Assignee: **GIPFEL INC.** NY (US)
- (\*\*) Term: **15 Years**
- (21) Appl. No.: **29/667,282**
- (22) Filed: **Oct. 19, 2018**
- (51) **LOC (12) Cl.** ..... **24-02**
- (52) **U.S. Cl.**  
USPC ..... **D24/152**
- (58) **Field of Classification Search**  
USPC ..... D24/119, 133, 143, 147, 152, 153, 154,  
D24/156; D28/55, 56, 57, 65; D8/14,  
D8/105, 107, 300, 303; 433/118, 119,  
433/143  
CPC ..... A61C 17/00; A61C 17/20; A61C 17/0202;  
A61C 17/225; A61C 3/00; A61C 3/02;  
A61C 3/10; A61C 3/14; A61C 3/16;  
A61C 15/00; A61C 15/02; A61C 15/048;  
A61C 1/10; A61C 1/14; A61C 7/00;  
A61C 7/02; A61C 7/04; A61B 1/24  
See application file for complete search history.

(56) **References Cited**

**U.S. PATENT DOCUMENTS**

- D249,062 S \* 8/1978 Crafoord ..... 433/141
- D259,660 S \* 6/1981 Sosnay ..... D24/149
- 4,505,678 A \* 3/1985 Andersson ..... A61C 17/00  
433/143
- D301,962 S \* 7/1989 Huang ..... D8/14
- 5,816,806 A \* 10/1998 Herbst ..... A61C 3/00  
433/141
- D416,652 S \* 11/1999 Martin ..... D30/156

- 6,042,378 A \* 3/2000 Fischer ..... A61C 3/00  
433/141
- D435,293 S \* 12/2000 Tang ..... D24/119
- D439,494 S \* 3/2001 Mark ..... D24/119
- D446,858 S \* 8/2001 Holms ..... D24/152
- 6,322,362 B1 \* 11/2001 Holms ..... A61C 3/00  
433/141
- D458,682 S \* 6/2002 Szymaitis ..... D24/152
- D492,413 S \* 6/2004 Willat ..... D24/152
- D496,132 S \* 9/2004 Desai ..... D28/65
- D522,141 S \* 5/2006 Chung ..... D24/152
- D743,550 S \* 11/2015 Lim ..... D24/152
- D745,154 S \* 12/2015 Pace ..... D24/146
- D750,247 S \* 2/2016 Cho ..... D24/152
- D785,796 S \* 5/2017 Efinger ..... D24/147
- D803,400 S \* 11/2017 Latif ..... D24/154
- D809,138 S \* 1/2018 Khan ..... D24/133
- D810,292 S \* 2/2018 Chou ..... D24/152

(Continued)

*Primary Examiner* — Wan Laymon

*Assistant Examiner* — Clint A Samuel

(74) *Attorney, Agent, or Firm* — Ostrolenk Faber LLP

(57) **CLAIM**

The ornamental design for a handle for a dental tool, as shown and described.

**DESCRIPTION**

FIG. 1 is an oblique, perspective view of a handle for a dental tool showing our new design, which is uniform around its entire circumference;

FIG. 2 is a side view thereof, all other side views being the same;

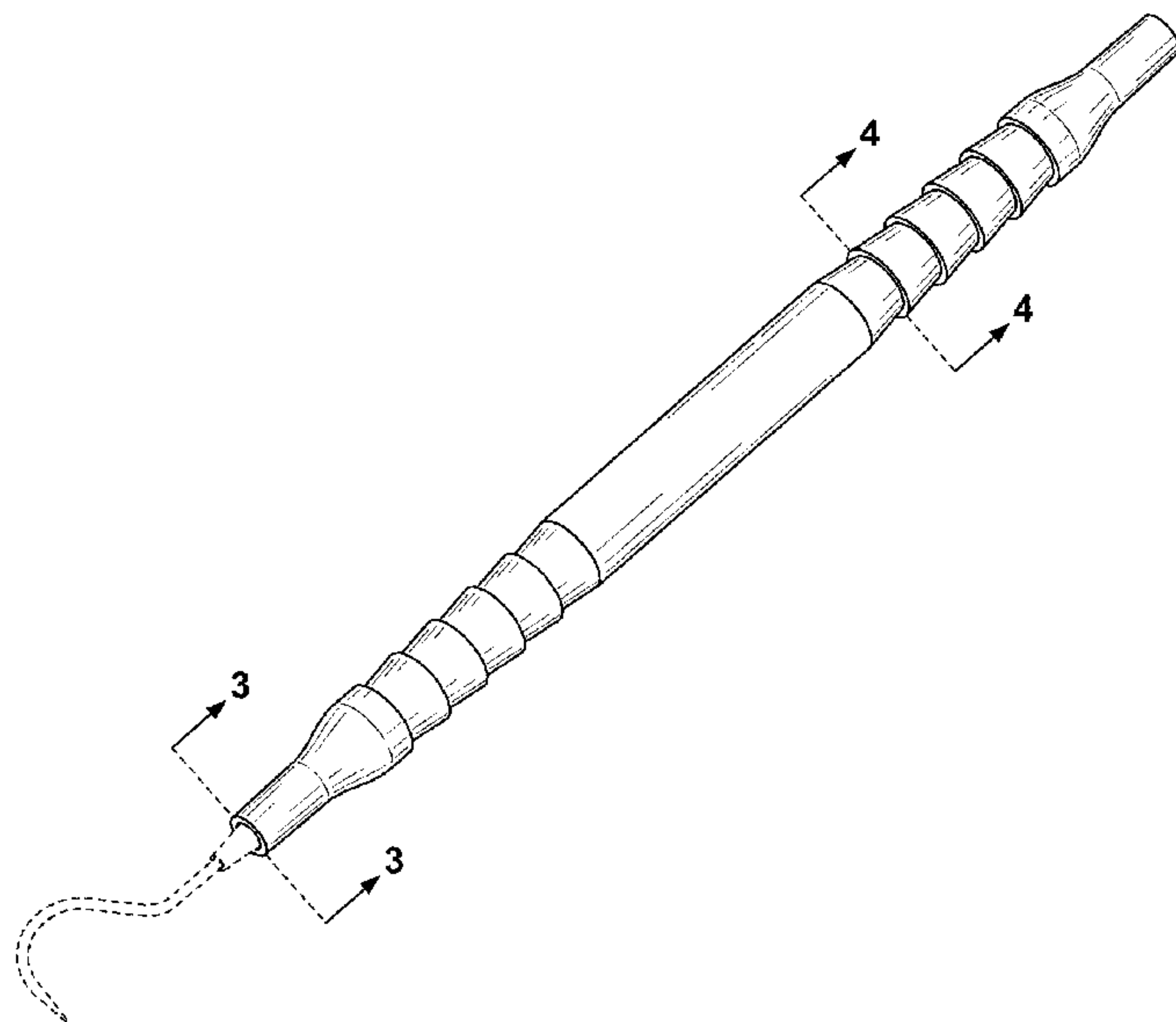
FIG. 3 is an enlarged fragmentary perspective view thereof, taken along line 3-3 of FIG. 1;

FIG. 4 is an enlarged fragmentary perspective view taken along line 4-4 of FIG. 1; and,

FIG. 5 is an enlarged end view thereof.

The broken lines showing is of environmental material which forms no part of the claimed design.

**1 Claim, 2 Drawing Sheets**



(56)

**References Cited**

U.S. PATENT DOCUMENTS

2008/0014553 A1\* 1/2008 Garrison ..... A61C 3/08  
433/164  
2010/0184000 A1\* 7/2010 Beach ..... A61C 3/00  
433/143  
2011/0117519 A1\* 5/2011 Yamada ..... A61C 3/00  
433/141  
2018/0085192 A1\* 3/2018 Lasner ..... A61C 3/14  
2019/0104983 A1\* 4/2019 Hussein ..... A61B 5/4547

\* cited by examiner

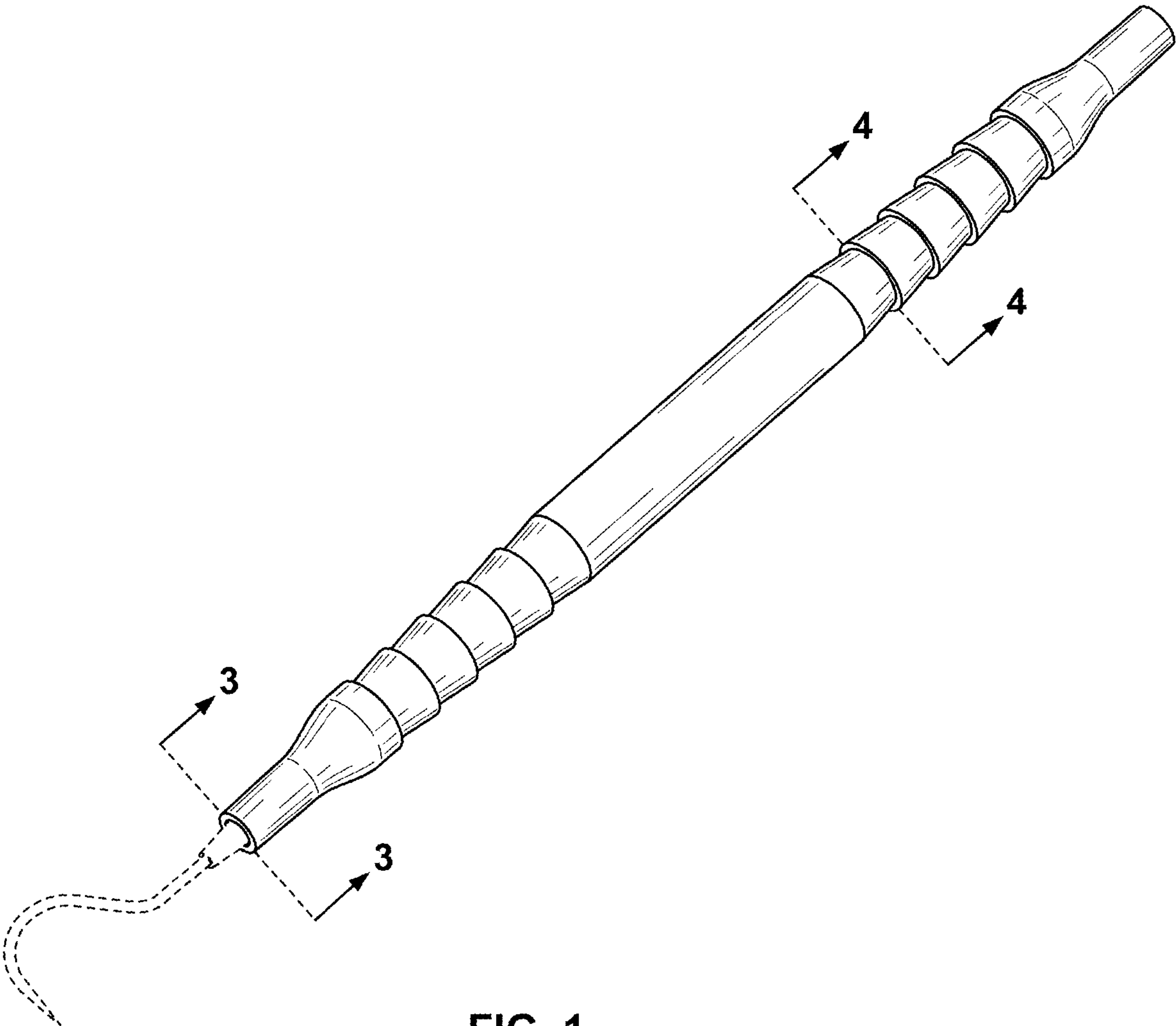


FIG. 1

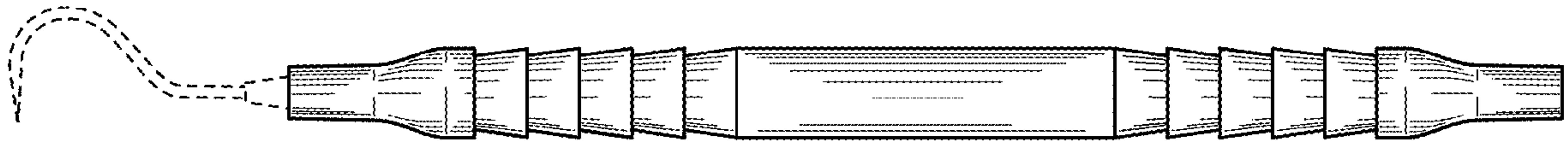


FIG. 2

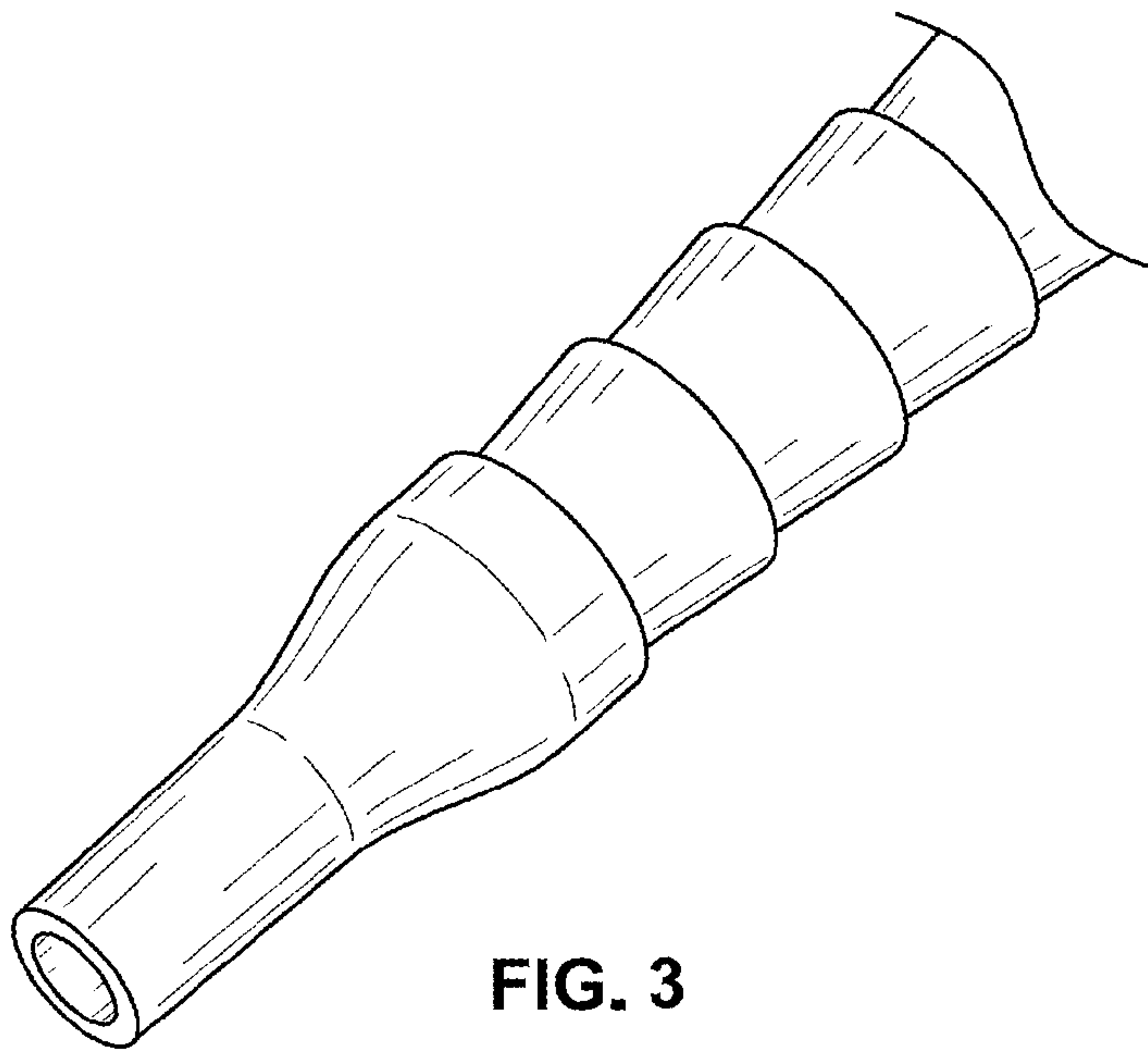


FIG. 3

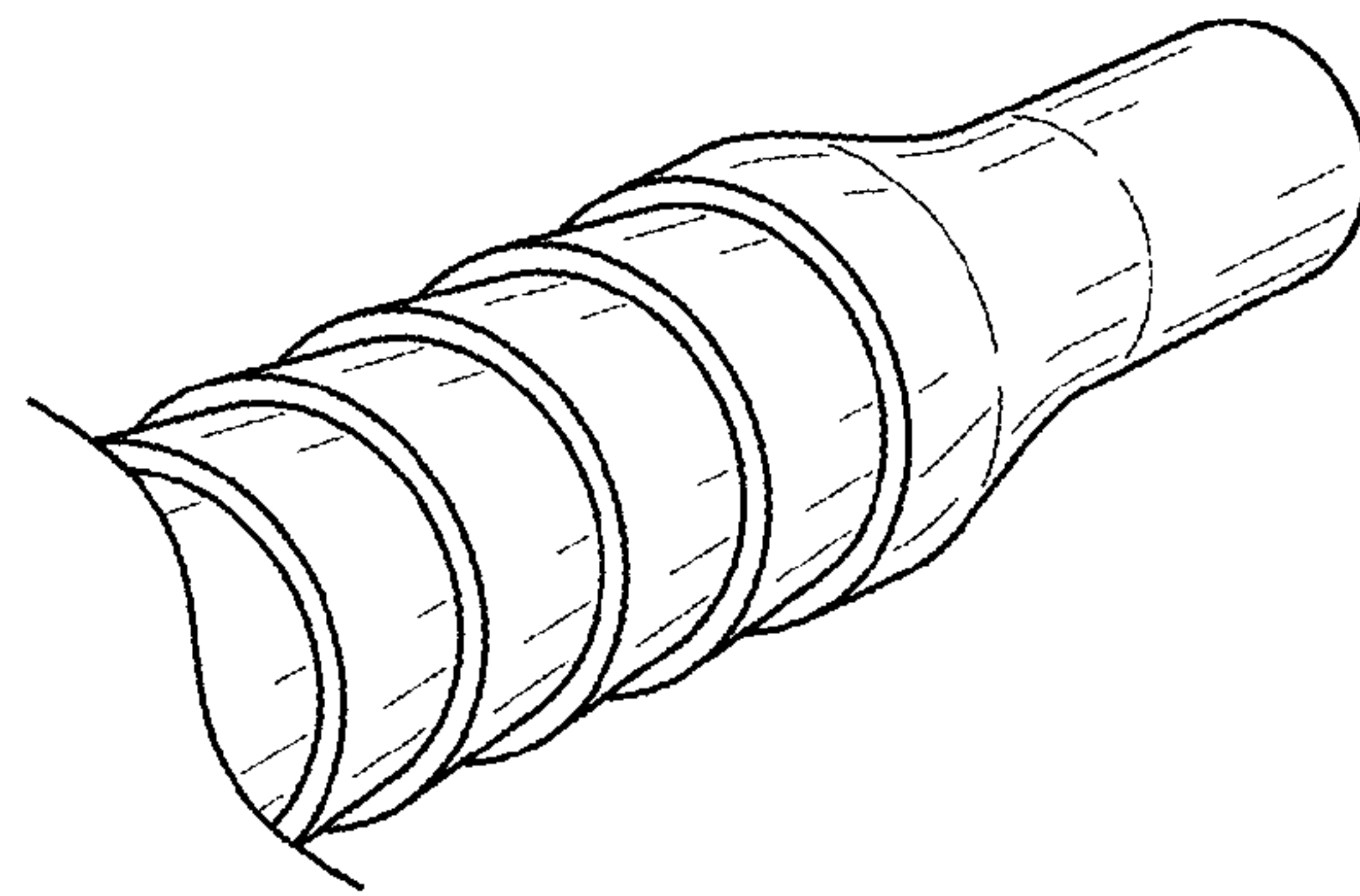


FIG. 4

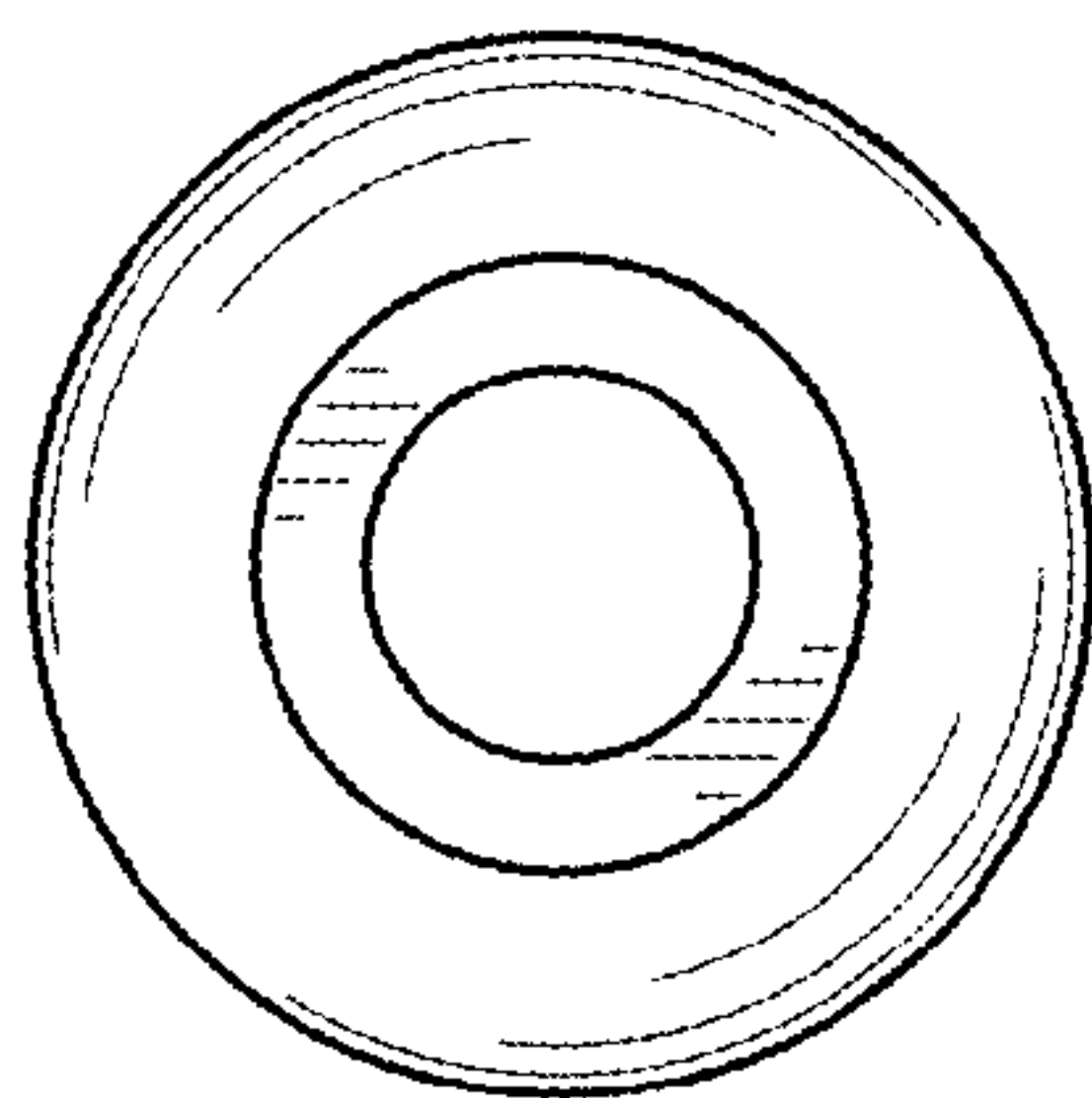


FIG. 5