



US00D893717S

(12) **United States Design Patent** (10) **Patent No.:** **US D893,717 S**
Messerly et al. (45) **Date of Patent:** **** Aug. 18, 2020**

(54) **STAPLE CARTRIDGE FOR SURGICAL INSTRUMENT**

(71) Applicant: **Ethicon LLC**, Guaynabo, PR (US)

(72) Inventors: **Jeffrey D. Messerly**, Cincinnati, OH (US); **David C. Yates**, West Chester, OH (US); **Jason L. Harris**, Lebanon, OH (US); **Frederick E. Shelton, IV**, Hillsboro, OH (US); **Mark A. Davison**, Maineville, OH (US)

(73) Assignee: **Ethicon LLC**, Guaynabo, PR (US)

(**) Term: **15 Years**

(21) Appl. No.: **29/609,121**

(22) Filed: **Jun. 28, 2017**

(51) **LOC (12) Cl.** **24-02**

(52) **U.S. Cl.**
USPC **D24/145**

(58) **Field of Classification Search**
USPC D24/145, 133
CPC . A61B 17/105; A61B 17/068; A61B 17/0682; A61B 17/064; A61B 17/072; A61B 17/07207; A61B 17/07228; A61B 17/07235; A61B 17/07242; A61B 17/07285; A61B 17/07292

See application file for complete search history.

(56) **References Cited**

U.S. PATENT DOCUMENTS

2,961,385 A 11/1960 McGall
3,370,263 A 2/1968 Schreieck
D278,081 S * 3/1985 Green D24/145
D297,764 S 9/1988 Hunt et al.
5,007,907 A 4/1991 Nishigaki et al.

(Continued)

FOREIGN PATENT DOCUMENTS

CA 2576440 A1 * 7/2007 A61B 17/07207
EP 2243439 A1 10/2010

(Continued)

OTHER PUBLICATIONS

Medtronic. Link: <https://www.medtronic.com/content/dam/covidien/library/us/en/product/surgical-stapling/tri-staple-signia-multi-use-loading-unit-sell-sheet.pdf>. Visited Oct. 26, 2018. Signia Multi Use Loading Unit. (Year: 2018).*

(Continued)

Primary Examiner — Lauren D McVey

(57) **CLAIM**

The ornamental design for a staple cartridge for surgical instrument, as shown and described.

DESCRIPTION

FIG. 1 is a side perspective view of a staple cartridge for surgical instrument, showing our new design without shading;

FIG. 2 is a top plan view thereof;

FIG. 3 is a bottom plan view thereof;

FIG. 4 is a side elevation view thereof;

FIG. 5 is another side elevation view thereof;

FIG. 6 is an enlarged front elevation view thereof;

FIG. 7 is an enlarged rear elevation view thereof;

FIG. 8 is a side perspective view of the staple cartridge for surgical instrument, showing our new design with shading;

FIG. 9 is a top plan view thereof;

FIG. 10 is a bottom plan view thereof;

FIG. 11 is a side elevation view thereof;

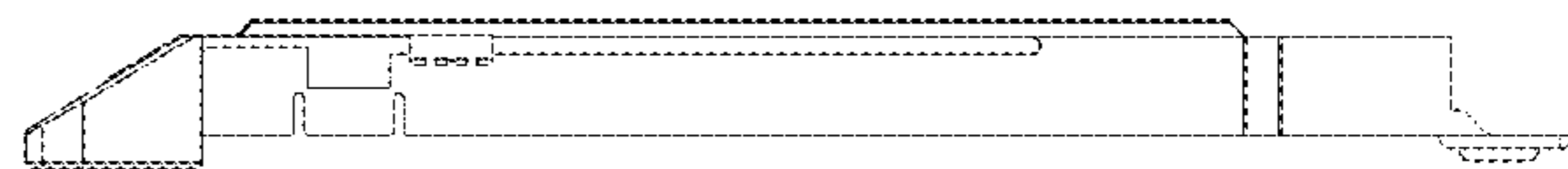
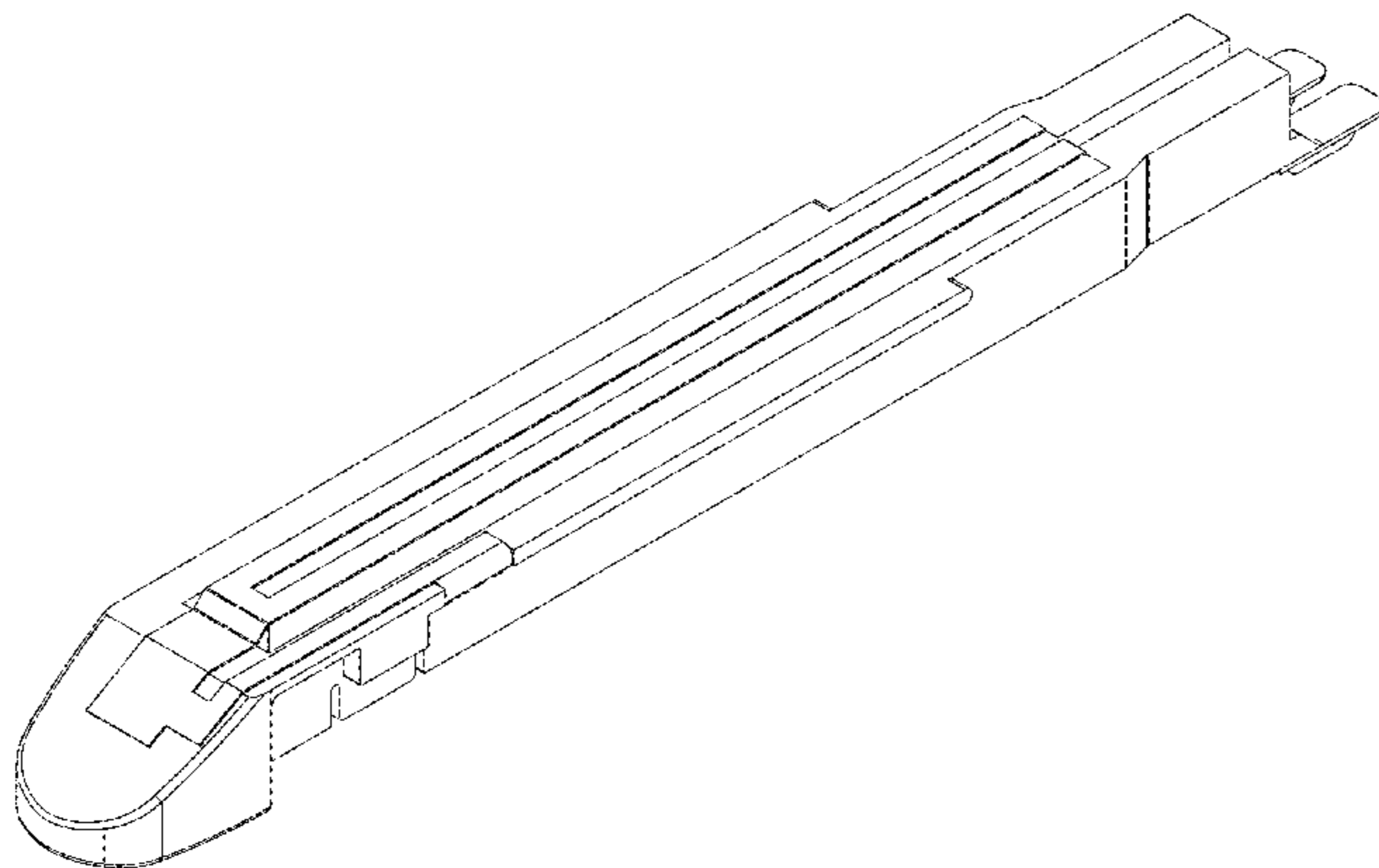
FIG. 12 is another side elevation view thereof;

FIG. 13 is an enlarged front elevation view thereof; and,

FIG. 14 is an enlarged rear elevation view thereof.

The wire frame lines shown throughout the views are intended to indicate surface contour.

1 Claim, 8 Drawing Sheets



(56)

References Cited

U.S. PATENT DOCUMENTS

5,364,395 A 11/1994 West, Jr.
 5,403,312 A 4/1995 Yates et al.
 D360,688 S * 7/1995 Ferragamo D24/133
 5,485,947 A * 1/1996 Olson A61B 17/07207
 227/176.1
 5,658,281 A 8/1997 Heard
 5,673,842 A 10/1997 Bittner et al.
 5,735,848 A 4/1998 Yates et al.
 5,817,093 A 10/1998 Williamson, IV et al.
 5,833,690 A 11/1998 Yates et al.
 5,835,829 A 11/1998 Genovese et al.
 6,004,320 A 12/1999 Casscells et al.
 D480,808 S 10/2003 Wells et al.
 6,730,081 B1 5/2004 Desai
 6,918,906 B2 7/2005 Long
 D509,297 S 9/2005 Wells
 7,223,267 B2 5/2007 Isola et al.
 7,383,611 B2 6/2008 Foster
 D576,278 S 9/2008 Nalagatla et al.
 7,431,720 B2 10/2008 Pendekanti et al.
 7,476,222 B2 1/2009 Sun et al.
 7,575,144 B2 8/2009 Ortiz et al.
 7,617,961 B2 11/2009 Viola
 D605,762 S 12/2009 Nalagatla et al.
 7,673,781 B2 3/2010 Swayze et al.
 7,780,663 B2 8/2010 Yates et al.
 7,896,877 B2 3/2011 Hall et al.
 7,901,400 B2 3/2011 Wham et al.
 D650,074 S 12/2011 Hunt et al.
 8,277,446 B2 10/2012 Heard
 8,453,906 B2 6/2013 Huang et al.
 8,485,413 B2 7/2013 Scheib et al.
 8,517,239 B2 8/2013 Scheib et al.
 8,608,045 B2 12/2013 Smith et al.
 8,616,431 B2 12/2013 Timm et al.
 8,622,274 B2 1/2014 Yates et al.
 8,663,222 B2 3/2014 Anderson et al.
 8,746,533 B2 6/2014 Whitman et al.
 8,764,747 B2 7/2014 Cummings et al.
 8,820,603 B2 9/2014 Shelton, IV et al.
 8,840,603 B2 9/2014 Shelton, IV et al.
 8,888,771 B2 11/2014 Twomey
 8,888,776 B2 11/2014 Dietz et al.
 8,979,890 B2 3/2015 Boudreaux
 8,998,060 B2 4/2015 Bruewer et al.
 9,005,199 B2 4/2015 Beckman et al.
 9,060,775 B2 6/2015 Wiener et al.
 9,060,776 B2 6/2015 Yates et al.
 9,072,535 B2 7/2015 Shelton, IV et al.
 9,149,325 B2 10/2015 Worrell et al.
 9,326,788 B2 5/2016 Batross et al.
 9,345,481 B2 5/2016 Hall et al.
 9,358,003 B2 6/2016 Hall et al.
 9,402,627 B2 8/2016 Stevenson et al.
 9,510,906 B2 12/2016 Boudreaux et al.
 9,549,733 B2 1/2017 Knodel
 9,561,031 B2 2/2017 Heinrich et al.
 9,572,622 B2 2/2017 Shelton, IV et al.
 9,585,657 B2 3/2017 Shelton, IV et al.
 9,629,627 B2 4/2017 Kostrzewski et al.
 9,629,628 B2 4/2017 Aranyi
 9,706,993 B2 7/2017 Hessler et al.
 9,707,028 B2 7/2017 Batchelor et al.
 9,724,095 B2 8/2017 Gupta et al.
 9,743,929 B2 8/2017 Leimbach et al.
 D800,904 S 10/2017 Leimbach et al.
 9,788,836 B2 10/2017 Overmyer et al.
 9,795,379 B2 10/2017 Leimbach et al.
 9,814,514 B2 11/2017 Shelton, IV et al.
 9,839,421 B2 12/2017 Zerkle et al.
 9,844,375 B2 12/2017 Overmyer et al.
 D809,659 S * 2/2018 Menn D24/145
 9,888,958 B2 2/2018 Evans et al.
 9,913,642 B2 3/2018 Leimbach et al.
 9,924,944 B2 3/2018 Shelton, IV et al.

9,924,998 B2 3/2018 Martin et al.
 9,968,355 B2 5/2018 Shelton, IV et al.
 9,980,769 B2 5/2018 Trees et al.
 10,010,366 B2 7/2018 Strobl
 10,016,186 B2 7/2018 Benn
 10,052,100 B2 8/2018 Morgan et al.
 D831,209 S * 10/2018 Huitema D24/145
 10,178,992 B2 1/2019 Wise et al.
 10,194,912 B2 2/2019 Scheib et al.
 10,201,348 B2 2/2019 Scheib et al.
 10,211,586 B2 2/2019 Adams et al.
 10,238,385 B2 3/2019 Yates et al.
 10,245,027 B2 4/2019 Shelton, IV et al.
 10,265,120 B2 4/2019 Yates et al.
 D847,989 S 5/2019 Shelton, IV et al.
 D850,617 S 6/2019 Shelton, IV et al.
 10,413,291 B2 9/2019 Worthington et al.
 D865,175 S * 10/2019 Widenhouse D24/145
 2004/0122423 A1 6/2004 Dycus et al.
 2006/0064086 A1 3/2006 Odom
 2007/0027469 A1 * 2/2007 Smith A61B 17/07207
 606/205
 2009/0206128 A1 * 8/2009 Hueil A61B 17/07207
 227/175.2
 2009/0206129 A1 * 8/2009 Doll A61B 17/07207
 227/175.2
 2009/0206133 A1 * 8/2009 Morgan A61B 17/07207
 227/176.1
 2010/0193566 A1 8/2010 Scheib et al.
 2011/0028964 A1 2/2011 Edwards
 2012/0016413 A1 1/2012 Timm et al.
 2012/0245576 A1 9/2012 Epstein et al.
 2013/0214030 A1 * 8/2013 Aronhalt A61B 17/0682
 227/176.1
 2014/0263541 A1 9/2014 Leimbach et al.
 2014/0263552 A1 9/2014 Hall et al.
 2015/0060519 A1 3/2015 Shelton, IV et al.
 2015/0088122 A1 3/2015 Jensen
 2015/0297235 A1 * 10/2015 Harris G06F 11/1425
 227/176.1
 2015/0297236 A1 10/2015 Harris et al.
 2016/0058448 A1 * 3/2016 Schellin A61B 17/105
 227/177.1
 2016/0120545 A1 5/2016 Shelton, IV et al.
 2016/0270842 A1 9/2016 Strobl et al.
 2017/0105782 A1 4/2017 Scheib et al.
 2017/0105786 A1 4/2017 Scheib et al.
 2017/0119388 A1 5/2017 Kostrzewski
 2017/0143336 A1 5/2017 Shah et al.
 2017/0296213 A1 10/2017 Swensgard et al.
 2017/0312019 A1 11/2017 Trees et al.
 2018/0168621 A1 6/2018 Shelton, IV et al.
 2018/0168650 A1 * 6/2018 Shelton, IV A61B 17/07207
 2018/0360452 A1 12/2018 Shelton, IV et al.
 2019/0000463 A1 1/2019 Shelton, IV et al.
 2019/0000464 A1 1/2019 Shelton, IV et al.
 2019/0000468 A1 1/2019 Adams et al.
 2019/0000470 A1 1/2019 Yates et al.
 2019/0000472 A1 1/2019 Shelton, IV et al.
 2019/0000478 A1 1/2019 Messerly et al.
 2019/0000479 A1 1/2019 Harris et al.
 2019/0000525 A1 1/2019 Messerly et al.
 2019/0000528 A1 1/2019 Yates et al.
 2019/0000530 A1 1/2019 Yates et al.
 2019/0000531 A1 1/2019 Messerly et al.
 2019/0000532 A1 1/2019 Shelton, IV et al.
 2019/0000533 A1 1/2019 Messerly et al.
 2019/0000534 A1 1/2019 Messerly et al.
 2019/0000535 A1 1/2019 Messerly et al.
 2019/0000537 A1 1/2019 Widenhouse et al.
 2019/0000538 A1 1/2019 Widenhouse et al.
 2019/0000539 A1 1/2019 Messerly et al.
 2019/0000555 A1 1/2019 Schings et al.

FOREIGN PATENT DOCUMENTS

EP 3009082 A1 * 4/2016 A61B 17/07207
 EP 3015080 A2 * 5/2016 A61B 17/07207

(56)

References Cited

FOREIGN PATENT DOCUMENTS

EP	2764832	B1	*	12/2017	A61B 18/1445
GB	1526401	A		9/1978		
WO	WO-9937225	A1		7/1999		

OTHER PUBLICATIONS

Bay Area Circuits. Link: <https://bayareacircuits.com/multi-layer-stackups/>. Visited May 30, 2019. Multi-Layer Stackups. (Year: 2019).*

* cited by examiner

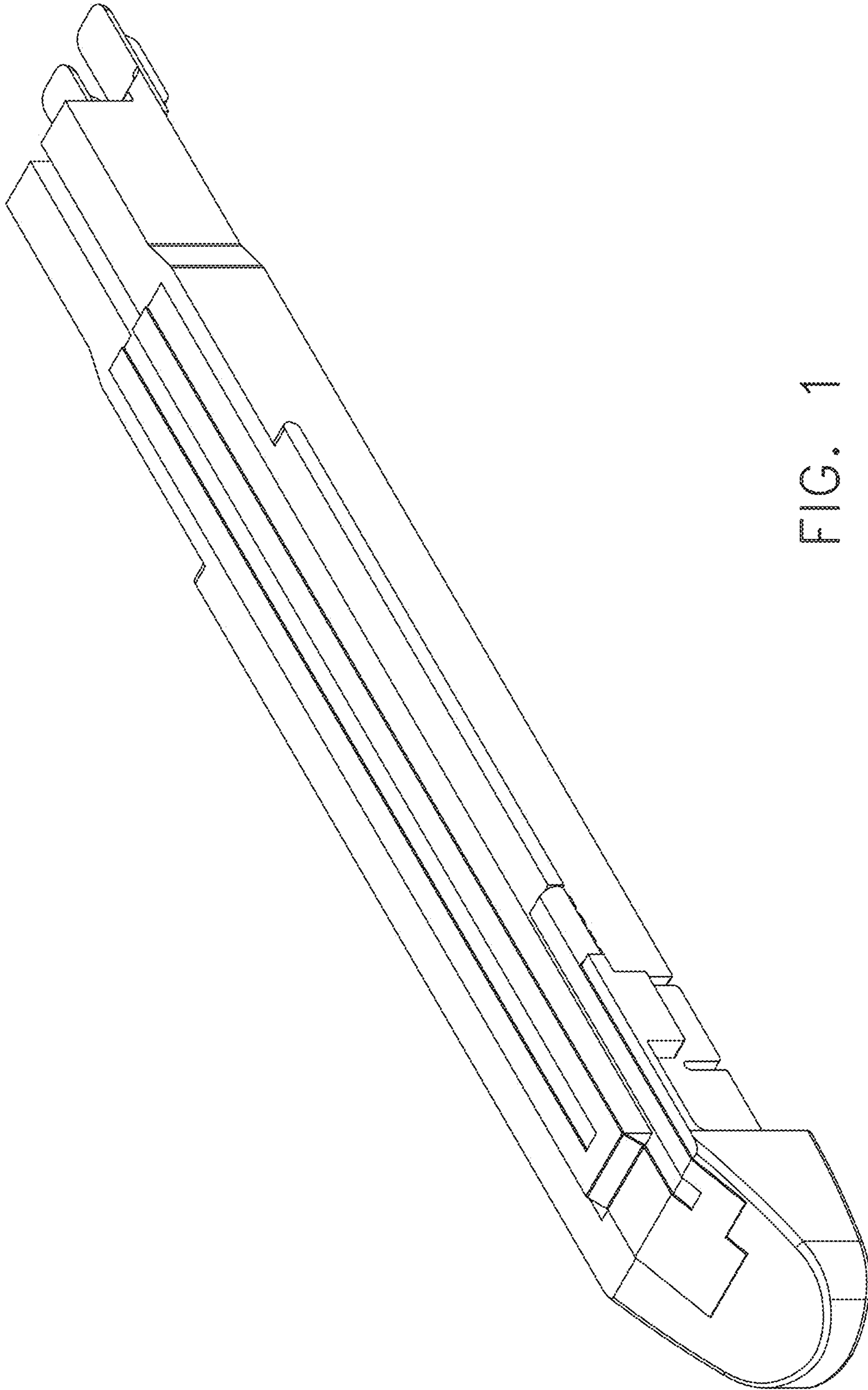


FIG. 1

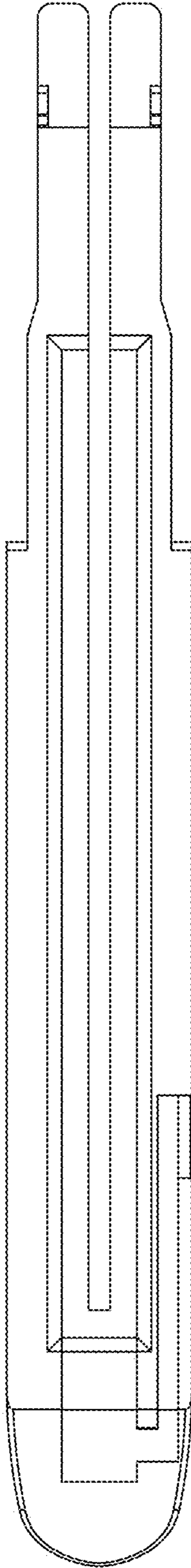


FIG. 2

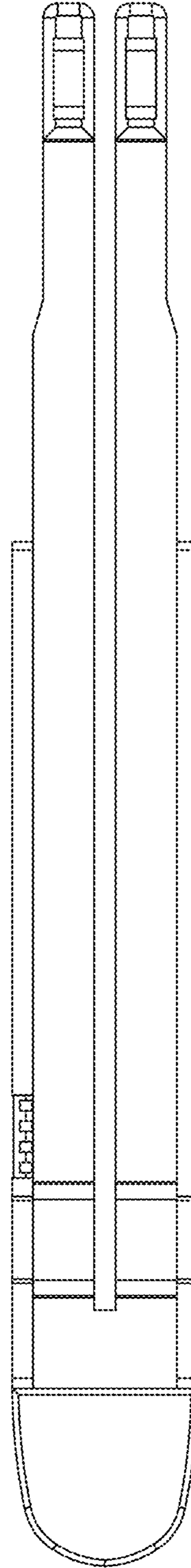


FIG. 3

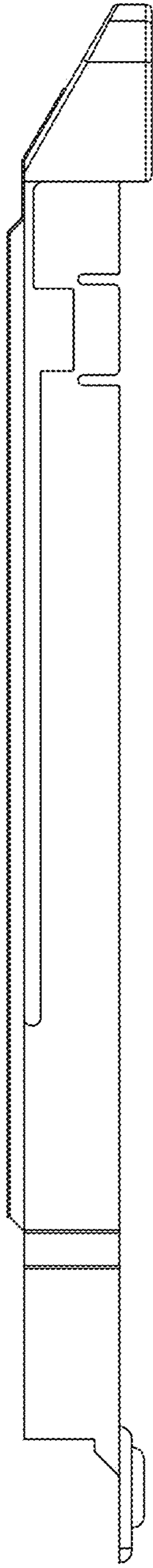


FIG. 4

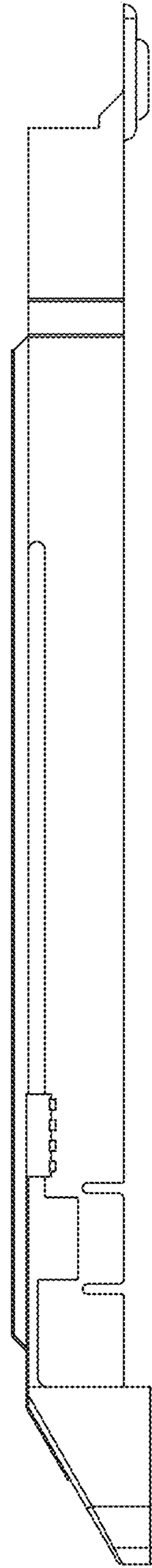


FIG. 5

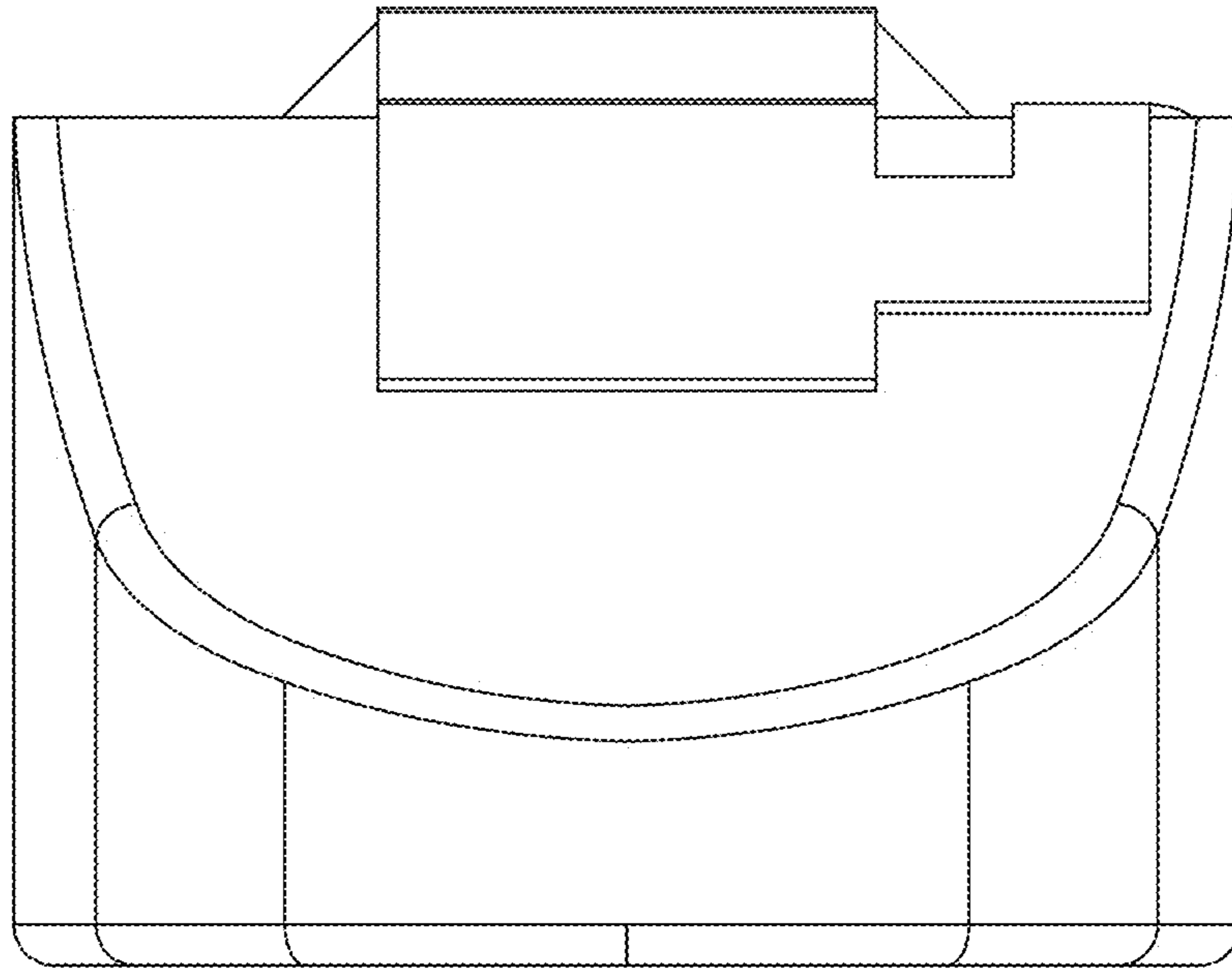


FIG. 6

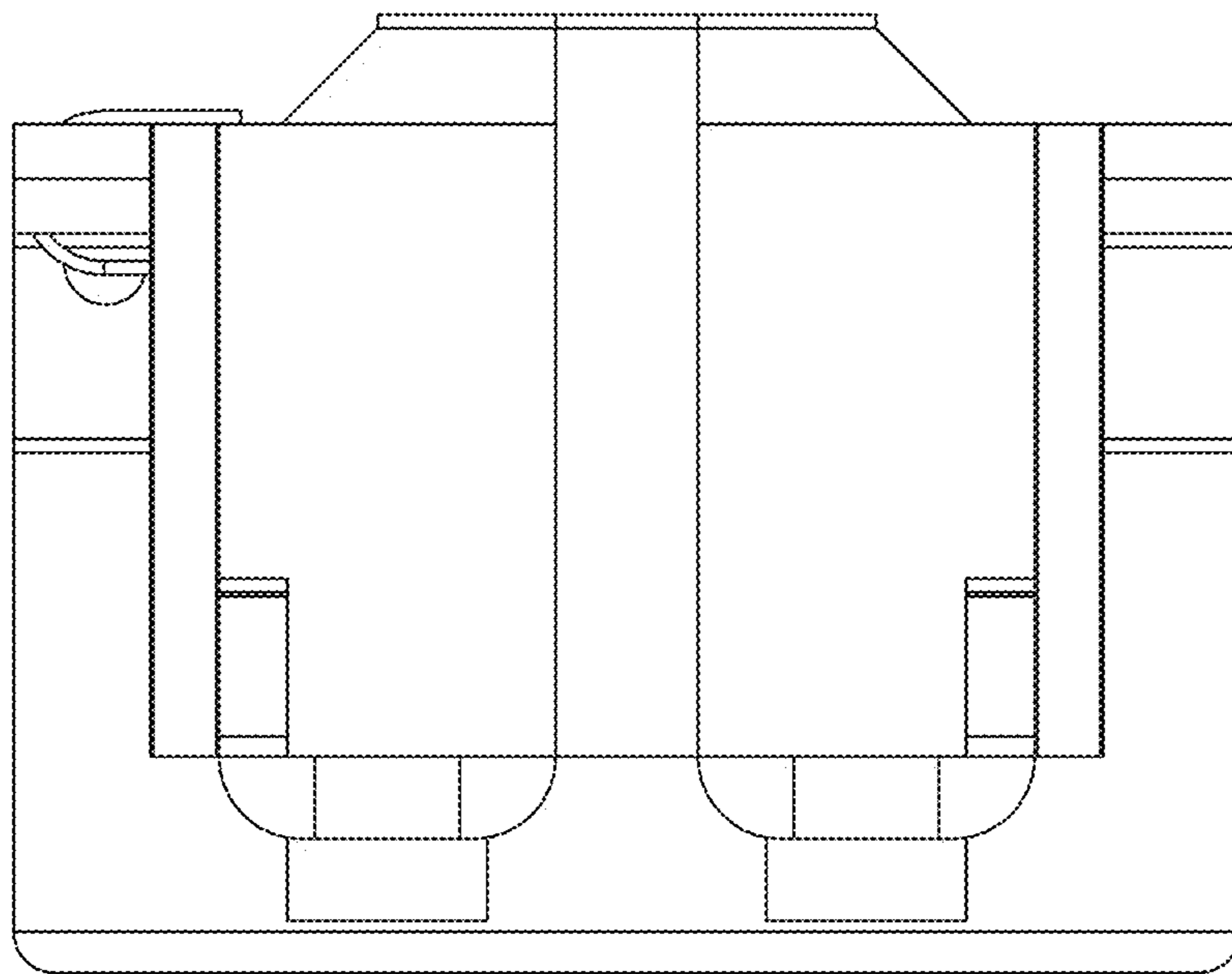


FIG. 7

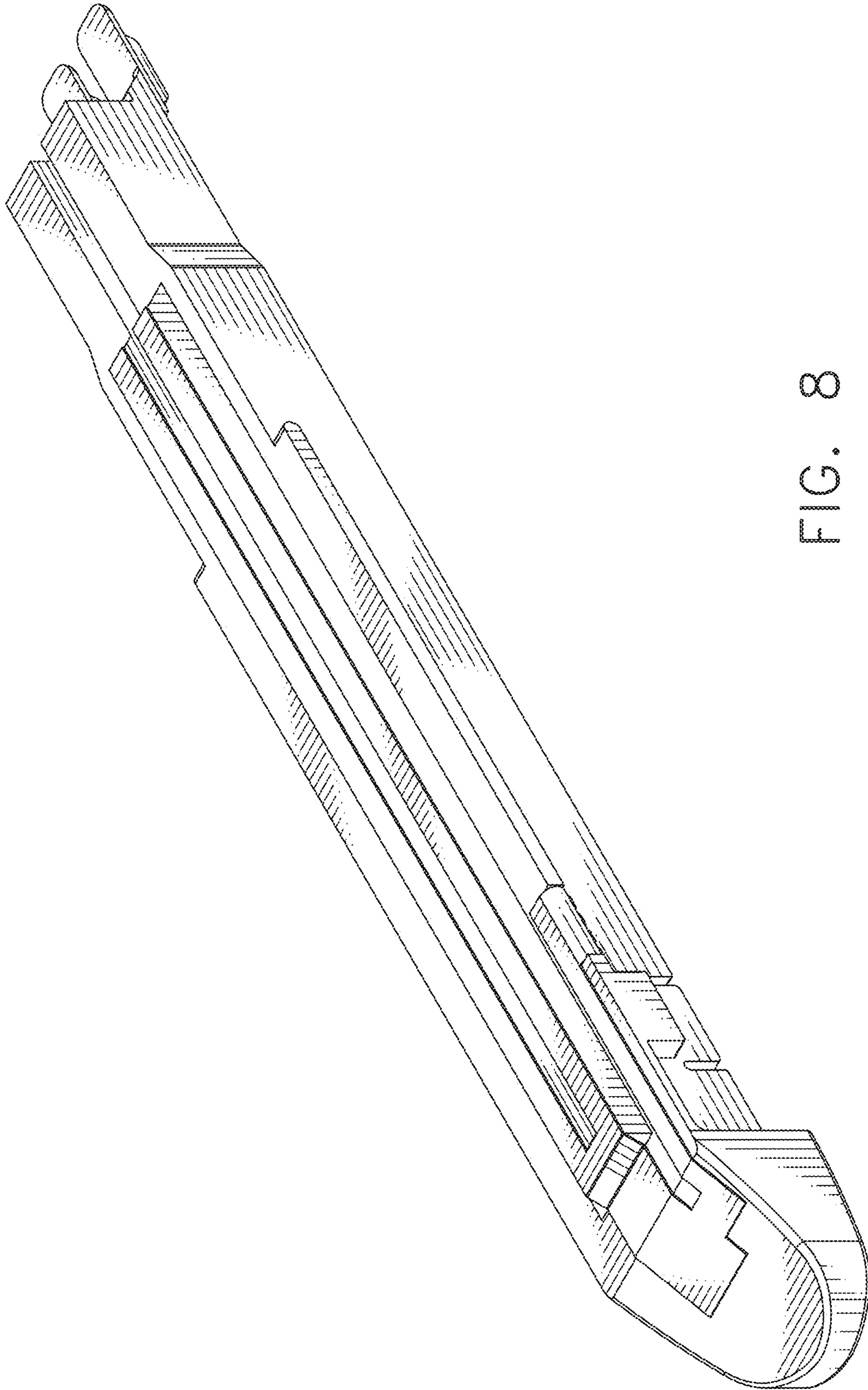


FIG. 8

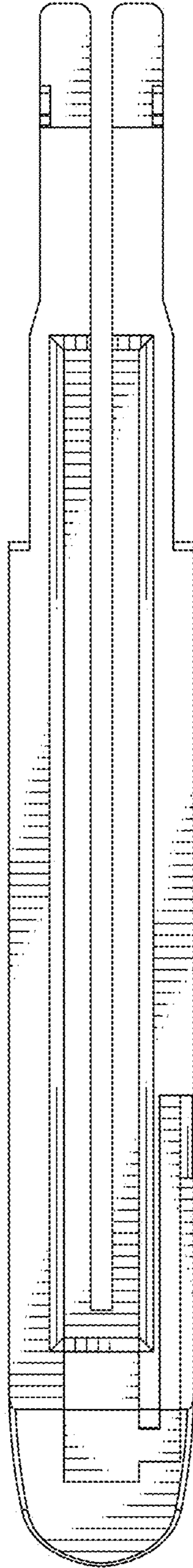


FIG. 9

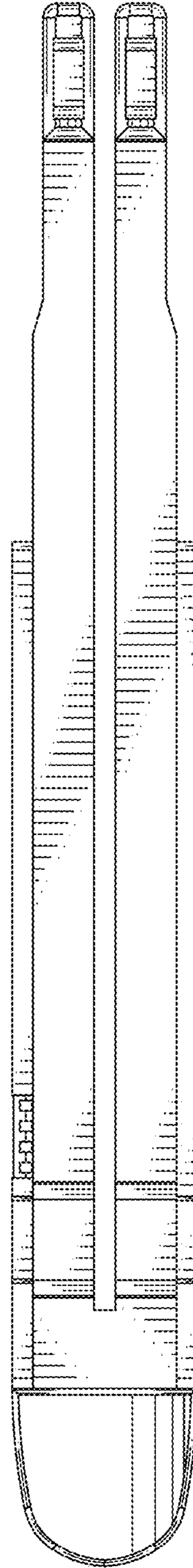


FIG. 10

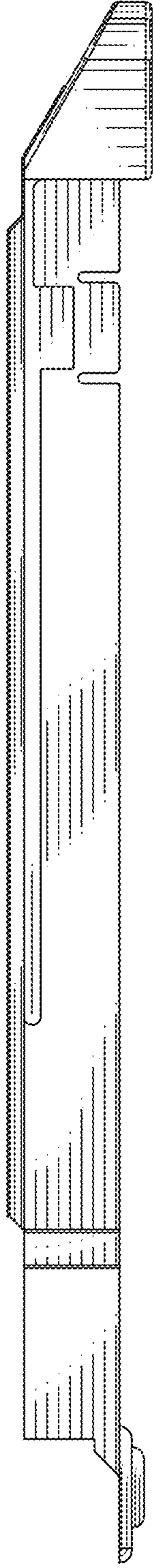


FIG. 11

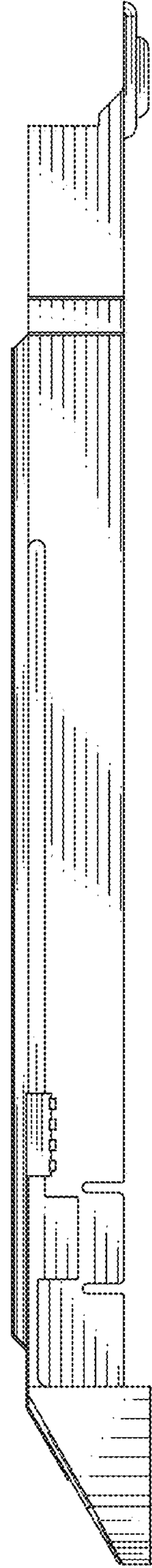


FIG. 12

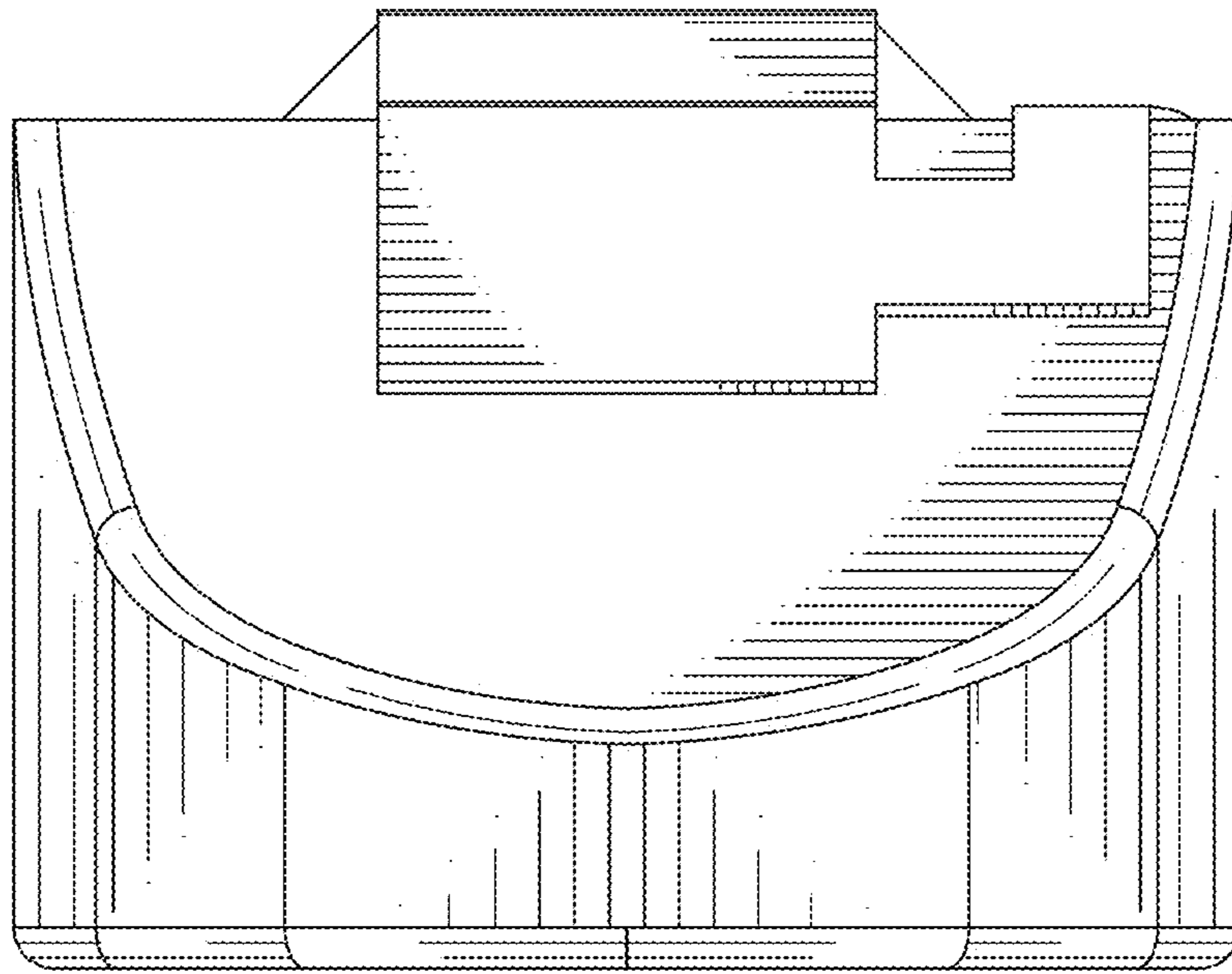


FIG. 13

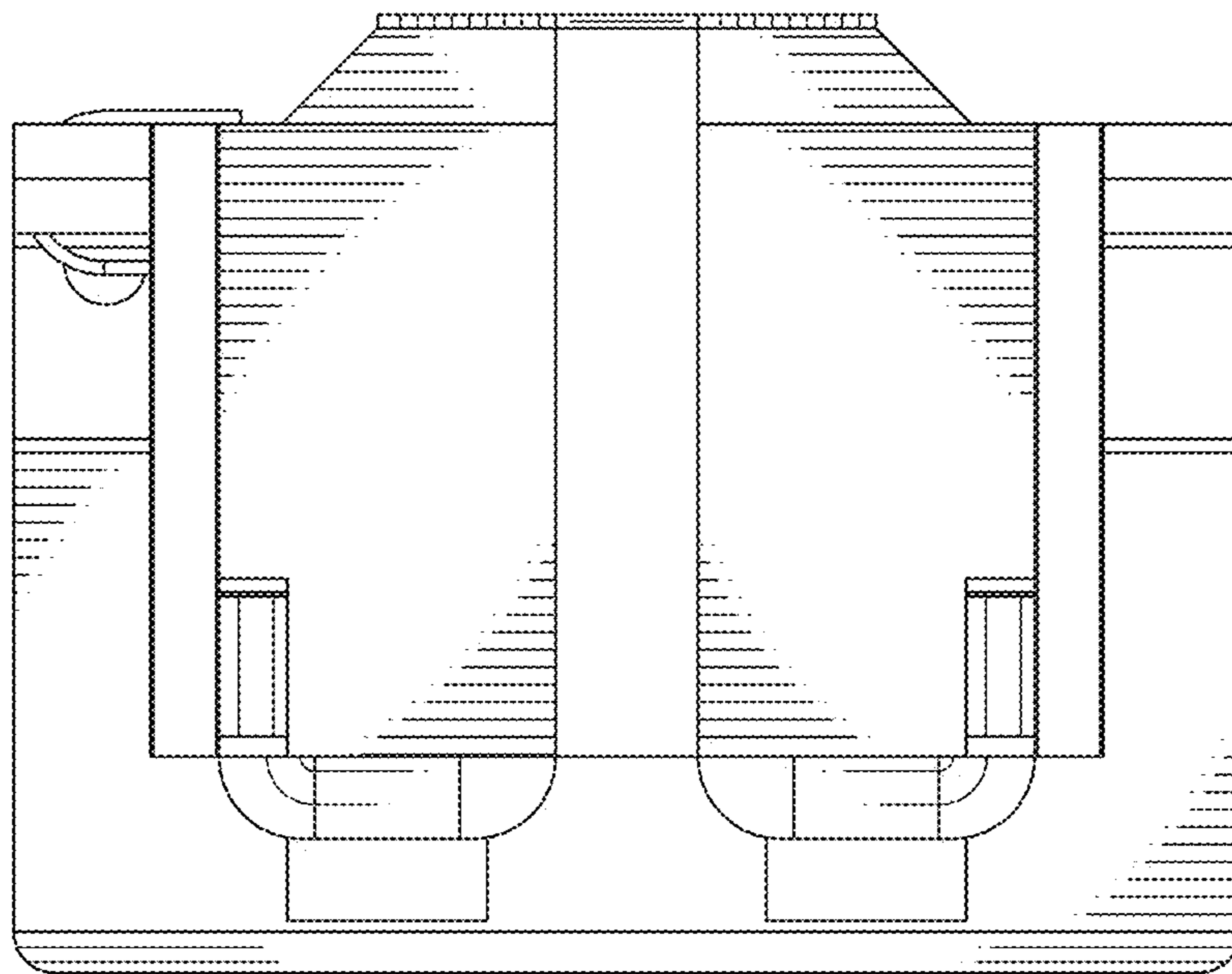


FIG. 14