



US00D893716S

(12) **United States Design Patent** (10) **Patent No.:** **US D893,716 S**
Siciliano (45) **Date of Patent:** **** Aug. 18, 2020**

(54) **TATTOO NEEDLE CARTRIDGE**

(71) Applicant: **FK Irons, Inc.**, Doral, FL (US)

(72) Inventor: **Gaston Siciliano**, Miami, FL (US)

(73) Assignee: **FK Irons Inc.**

(**) Term: **15 Years**

(21) Appl. No.: **29/663,169**

(22) Filed: **Sep. 12, 2018**

(51) **LOC (12) Cl.** **24-02**

(52) **U.S. Cl.**
 USPC **D24/144**

(58) **Field of Classification Search**
 USPC D24/144, 146, 133; 81/9.22; 606/9, 167,
 606/185-186
 CPC A61M 37/0076; A61M 37/0084; A61M
 37/0092; A61M 37/00; A61M 5/46;
 A61M 5/48

See application file for complete search history.

D750,258 S 2/2016 Crossley
 D763,443 S 8/2016 Chen
 D776,812 S 1/2017 Heath
 D782,041 S 3/2017 Pell
 9,662,483 B2 5/2017 Siciliano
 D799,697 S 10/2017 Cosmescu
 D805,640 S 12/2017 Lee
 D819,207 S 5/2018 Blank
 D831,208 S 10/2018 Benisty
 D839,425 S 1/2019 Janata
 D842,468 S * 3/2019 Juan A61M 37/0076
 D24/144
 10,449,346 B2 * 10/2019 Juan A61M 37/0076
 D865,965 S 11/2019 Siciliano
 2010/0206138 A1 8/2010 Clark
 2013/0226211 A1 * 8/2013 Xiao A61M 37/0084
 606/186
 2016/0354592 A1 * 12/2016 Juan A61M 37/0076
 2017/0072177 A1 3/2017 Oscar

(Continued)

Primary Examiner — Wan Laymon
 (74) *Attorney, Agent, or Firm* — Griffin C. Klema; Peter Chiabotti

(57) **CLAIM**

The ornamental design for a tattoo needle cartridge, as shown and described.

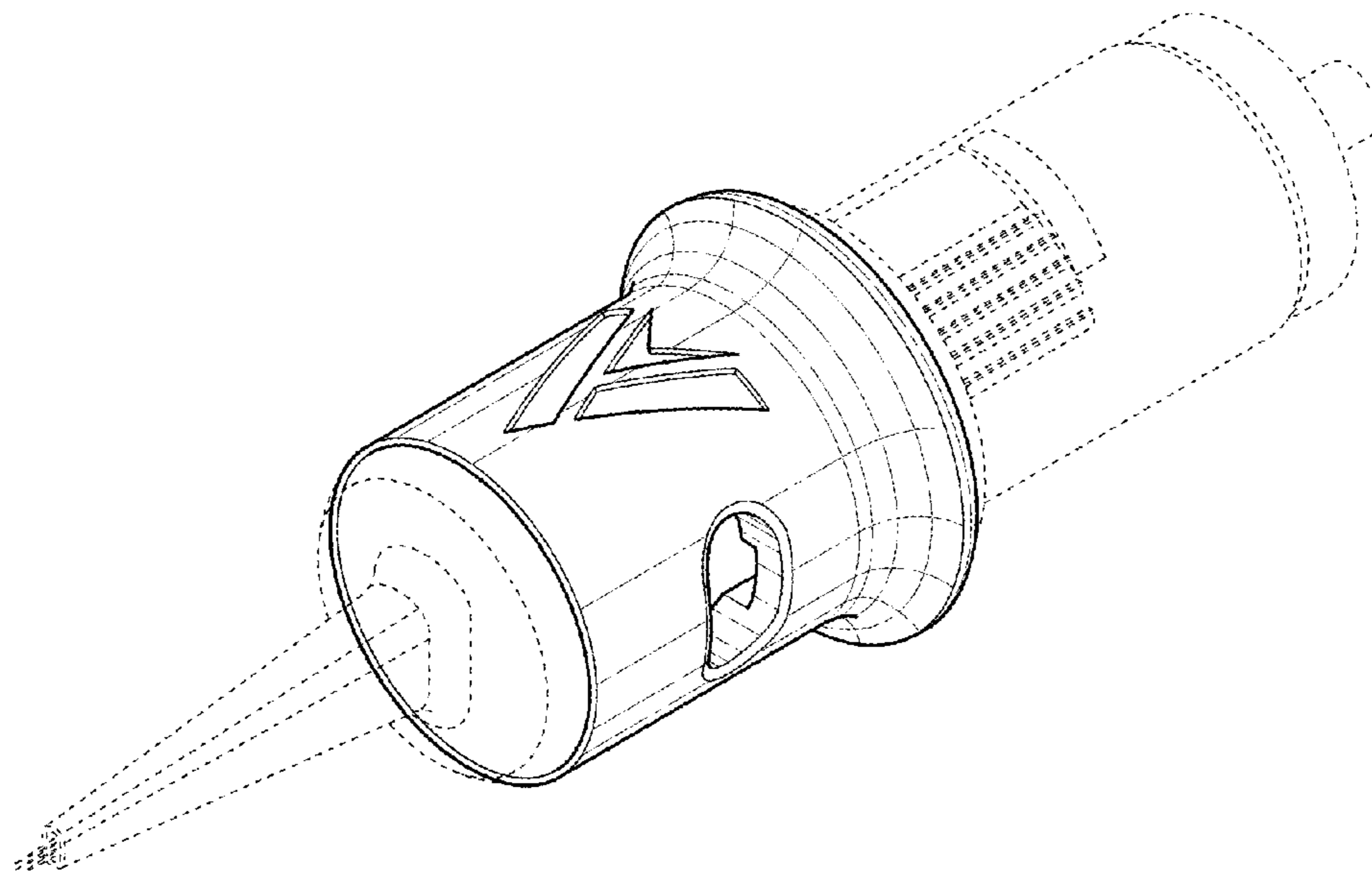
DESCRIPTION

FIG. 1 is a front top perspective view of a tattoo needle cartridge in accordance with the present disclosure; FIGS. 2 and 3 are side views thereof; FIG. 4 is a top view thereof; FIG. 5 is a bottom view thereof; FIG. 6 is a rear view thereof; FIG. 7 is a front view thereof; and, FIG. 8 is a side skewed perspective thereof. The features shown in broken lines in the various Figures are for illustrating environmental structure and form no part of the claimed design.

1 Claim, 7 Drawing Sheets

(56) **References Cited**
 U.S. PATENT DOCUMENTS

D231,031 S	3/1974	Hinnenkamp
D419,719 S	1/2000	Garcia
D478,383 S	8/2003	Timm
D497,992 S	11/2004	Timm
D619,715 S	7/2010	Kim
D622,000 S	8/2010	Kluge
D691,264 S	10/2013	Dallemagne
D704,336 S	5/2014	Chon
D723,686 S	3/2015	Kratoska
D723,687 S	3/2015	Kratoska
D735,855 S	8/2015	Kimball
D737,972 S	9/2015	Chen
D739,019 S	9/2015	Chen
D745,152 S	12/2015	Mayer
D746,455 S	12/2015	Mayer



(56)

References Cited

U.S. PATENT DOCUMENTS

2017/0072178 A1* 3/2017 Xiao A61M 37/0084
2017/0157382 A1 6/2017 Siciliano
2018/0236178 A1 8/2018 Neumetzler
2018/0369553 A1 12/2018 Siciliano
2019/0134371 A1* 5/2019 Johansson A61M 37/0076
2019/0134372 A1* 5/2019 Johansson A61M 37/0076

* cited by examiner

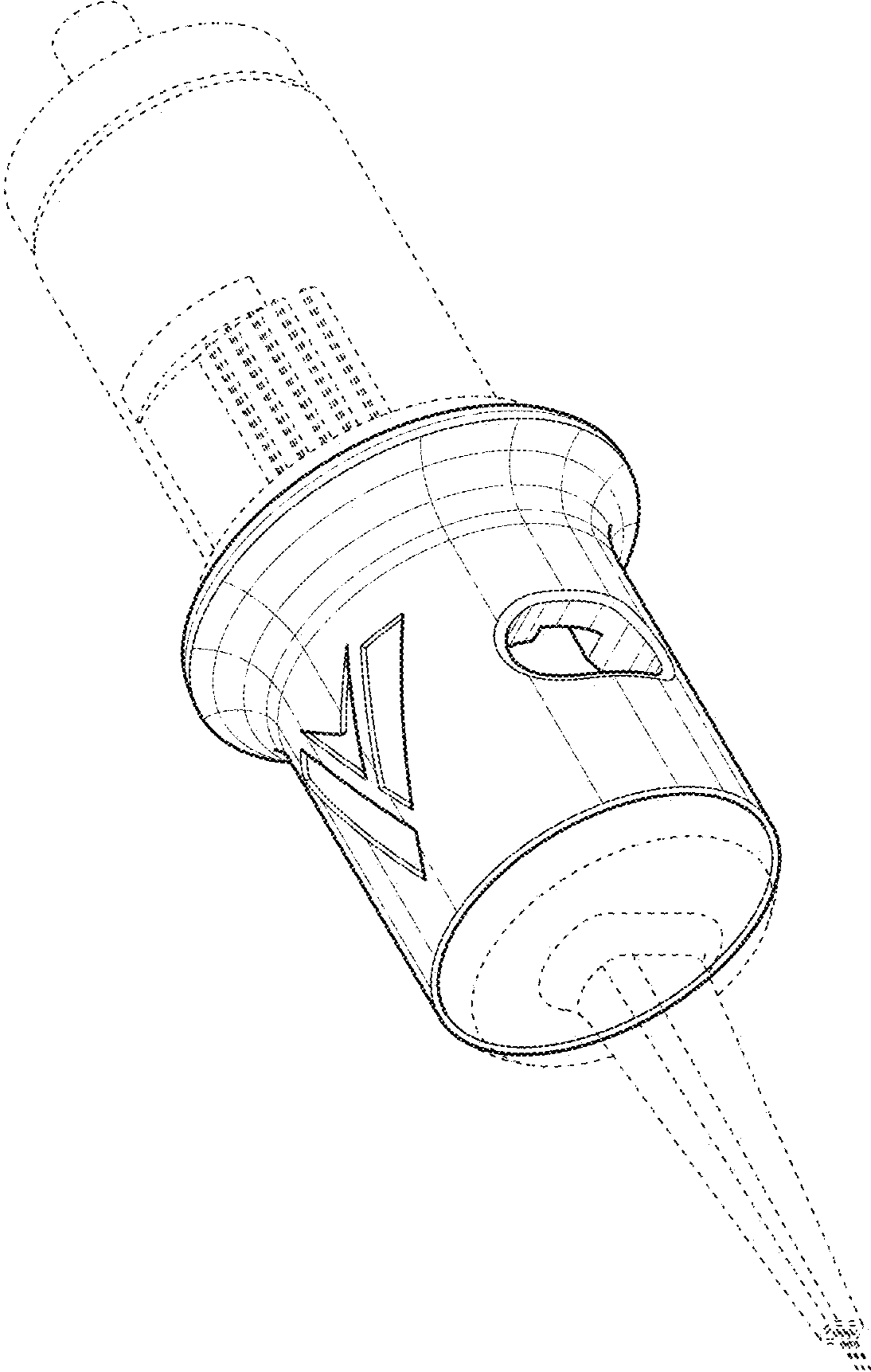


FIG. 1

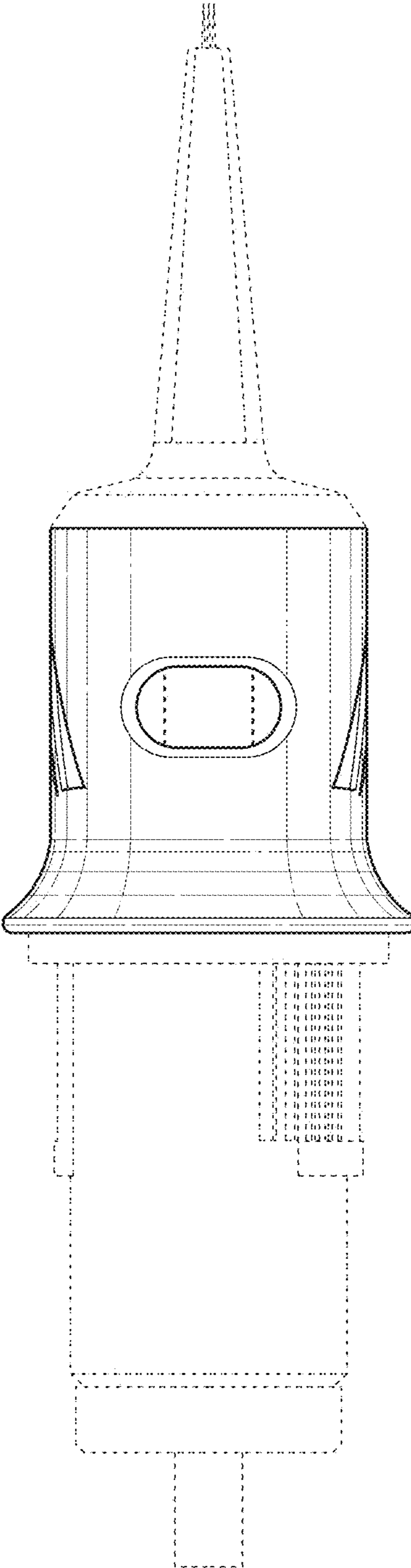


FIG. 2

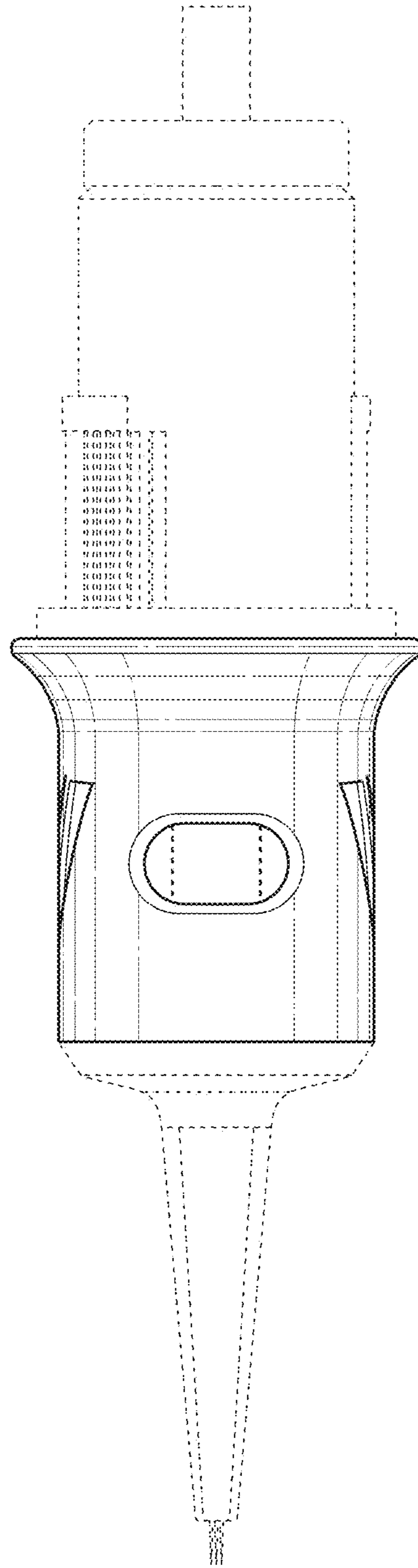


FIG. 3

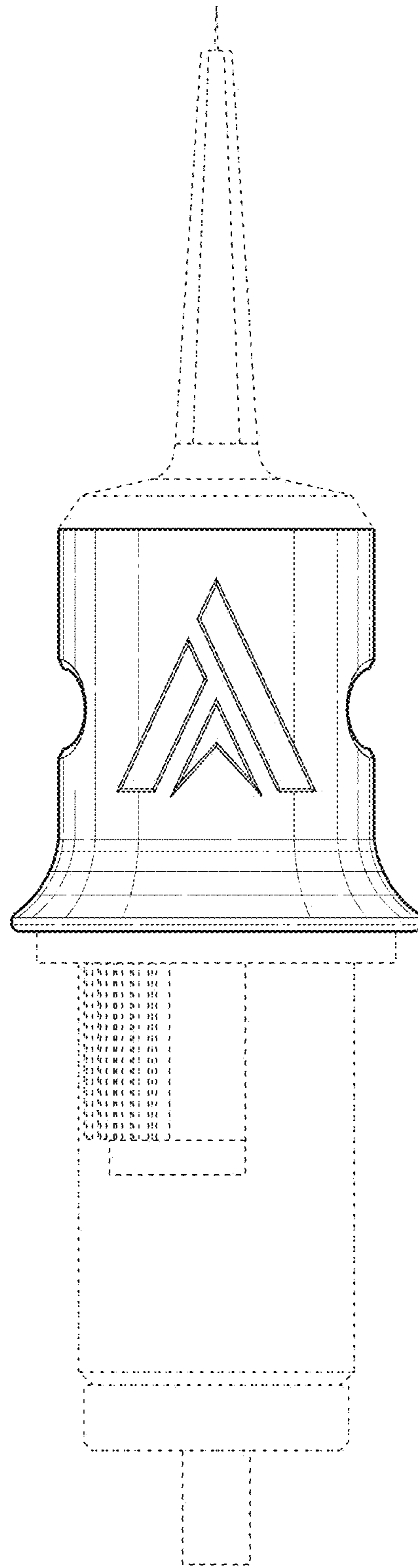


FIG. 4

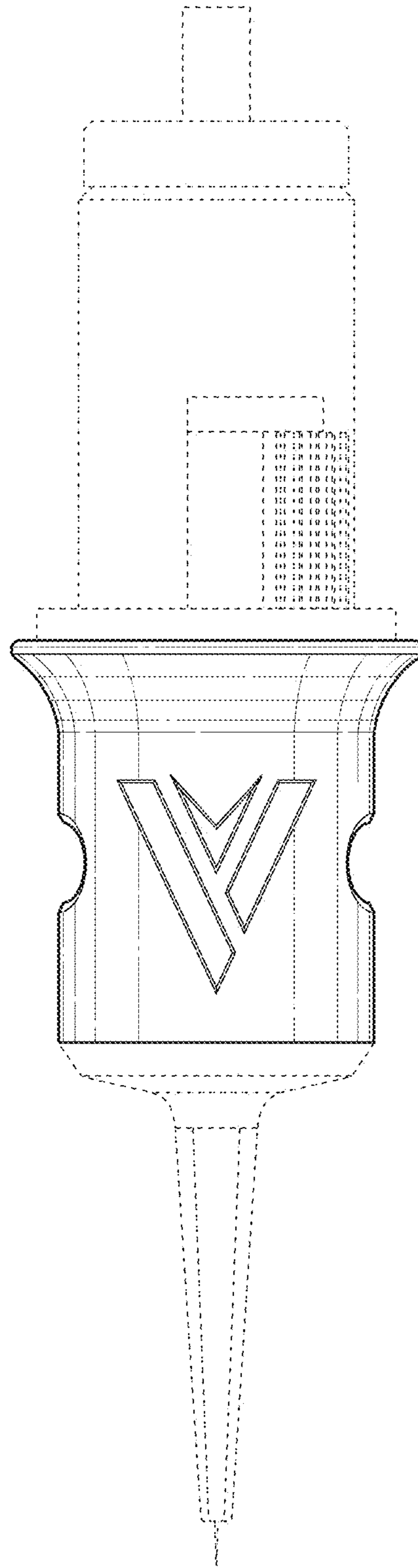


FIG. 5

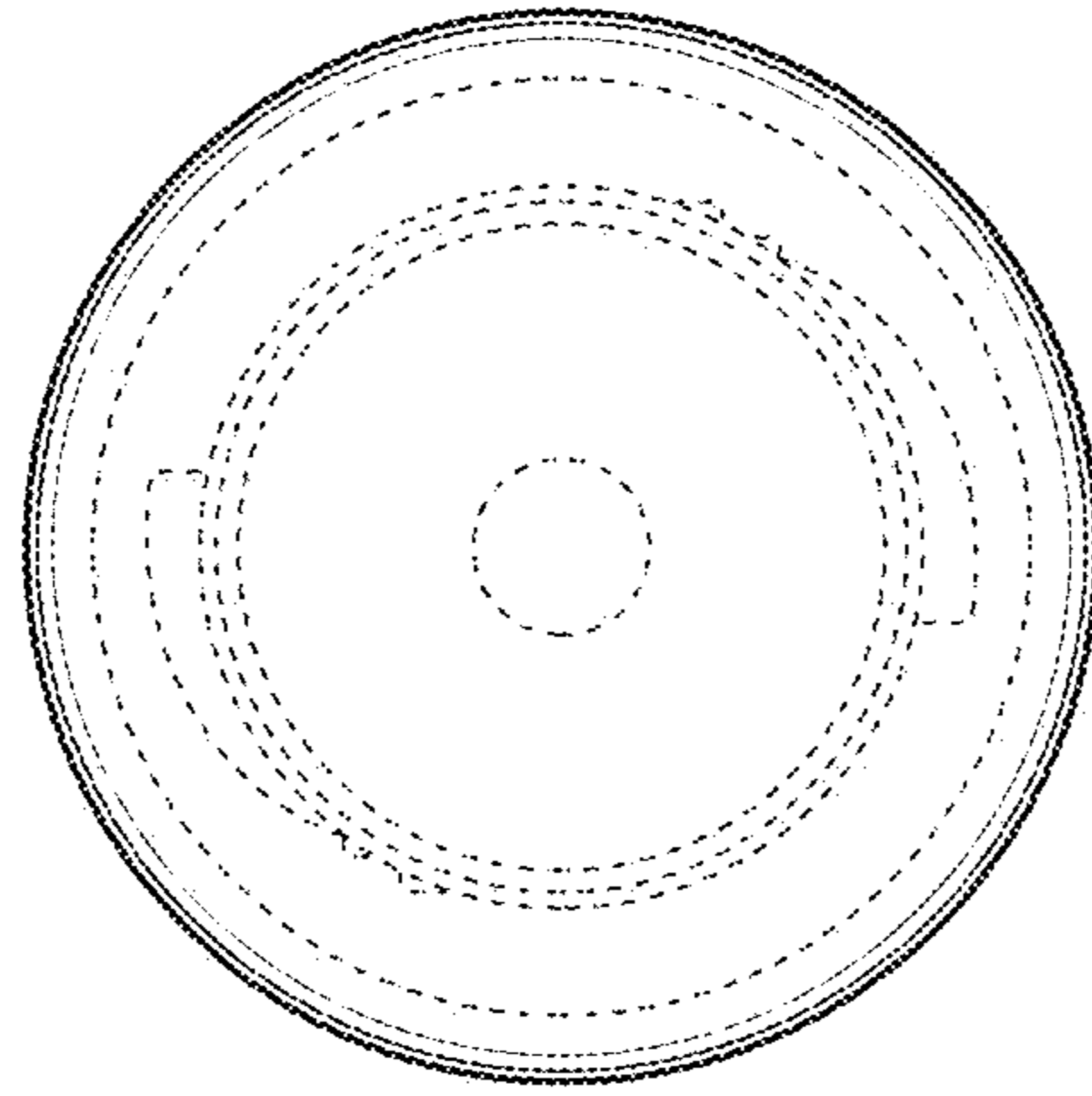


FIG. 7

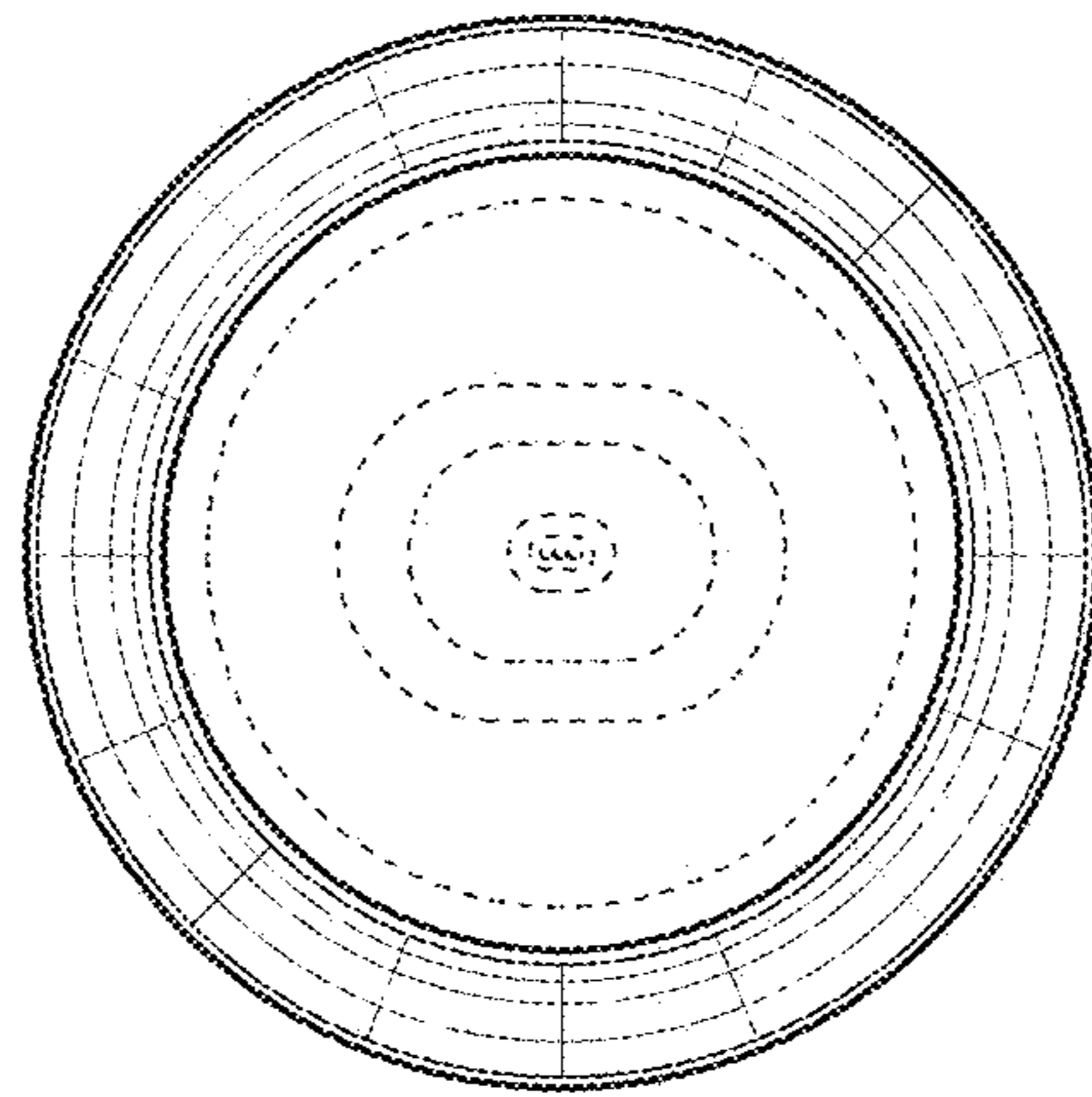


FIG. 6

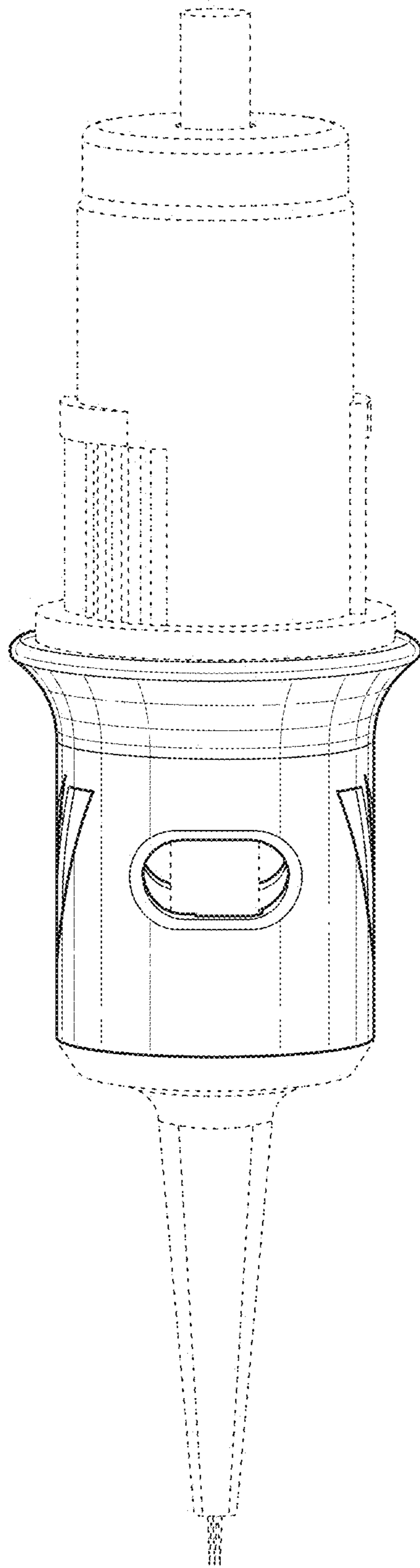


FIG. 8