



US00D893715S

(12) **United States Design Patent** (10) **Patent No.:** **US D893,715 S**  
**Onorato** (45) **Date of Patent:** **\*\* Aug. 18, 2020**

(54) **MEASUREMENT GUIDE FOR A CYST, LESION OR SKIN DISORDER**

(71) Applicant: **Joseph Onorato**, Oyster Bay, NY (US)

(72) Inventor: **Joseph Onorato**, Oyster Bay, NY (US)

(\*\*) Term: **15 Years**

(21) Appl. No.: **29/669,176**

(22) Filed: **Nov. 6, 2018**

(51) **LOC (12) Cl.** ..... **24-02**

(52) **U.S. Cl.**  
USPC ..... **D24/140**

(58) **Field of Classification Search**  
USPC ..... D24/140, 133, 135  
CPC ..... A61B 5/0215; A61B 5/6851  
See application file for complete search history.

(56) **References Cited**

**U.S. PATENT DOCUMENTS**

2,565,081	A	8/1951	Maynes	
5,034,002	A	7/1991	Duranzampa et al.	
5,042,977	A	8/1991	Bechtold et al.	
D320,658	S *	10/1991	Quigley	D24/135
5,104,380	A	4/1992	Holman et al.	
5,256,140	A	10/1993	Fallick	
D343,236	S *	1/1994	Quigley	D24/135
D346,022	S *	4/1994	Quigley	D24/135
D353,458	S *	12/1994	Quigley	D24/135
5,480,387	A	1/1996	Gabriel et al.	

(Continued)

**FOREIGN PATENT DOCUMENTS**

EP	0186752	A2	7/1986
EP	2145642	A2	1/2010

(Continued)

**OTHER PUBLICATIONS**

International Search Report and Written Opinion issued in related International Application No. PCT/US17/24828 dated Aug. 11, 2017.

Extended European Search Report issued in relating European Application No. 17776583.1 dated Mar. 8, 2018.  
European Office Action issued in related European Application No. 17776583.1 dated Oct. 15, 2018.  
Ellzey, Inga, MPA RHIA, CDC, Size Matters, Nov. 21, 2014, The Dermatologist, <<<https://www.the-dermatologist.com/content/size-matters>>>, Accessed Dec. 21, 2018 (Year: 2014).  
Office Action issued in related U.S. Appl. No. 15/444,598 dated Aug. 9, 2018.

(Continued)

*Primary Examiner* — Bridget L Eland

(74) *Attorney, Agent, or Firm* — Venable LLP; Michele V. Frank

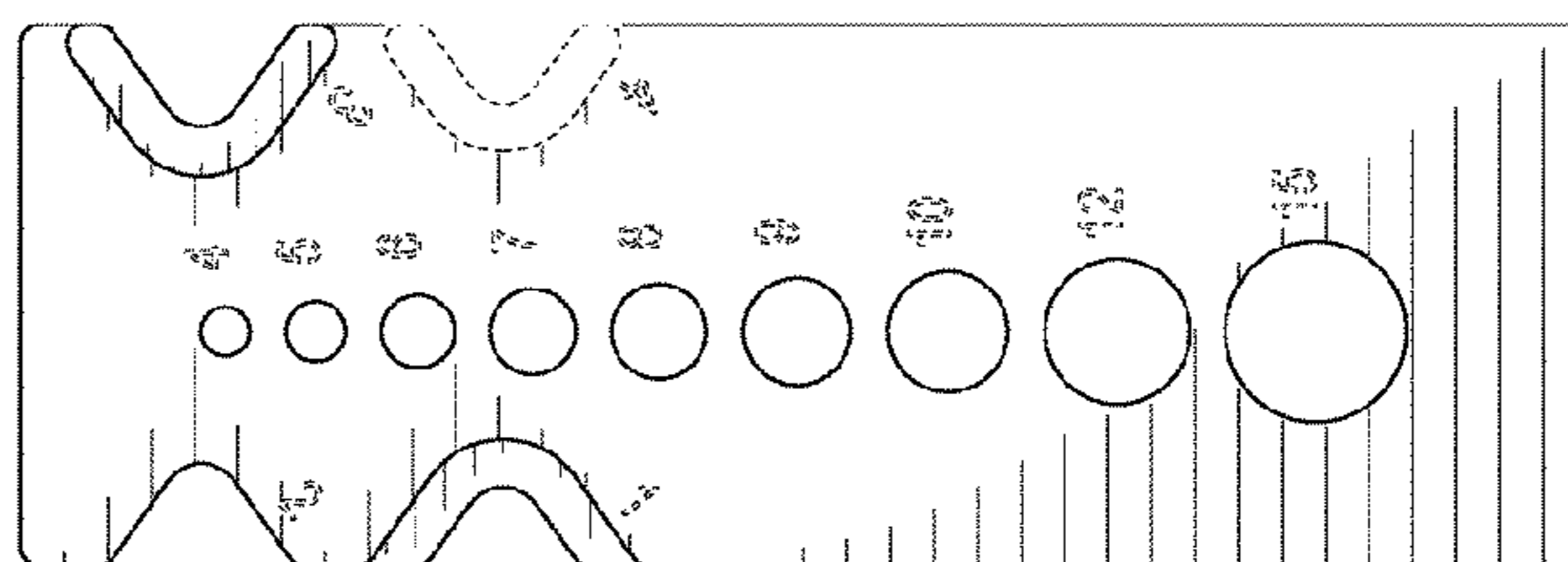
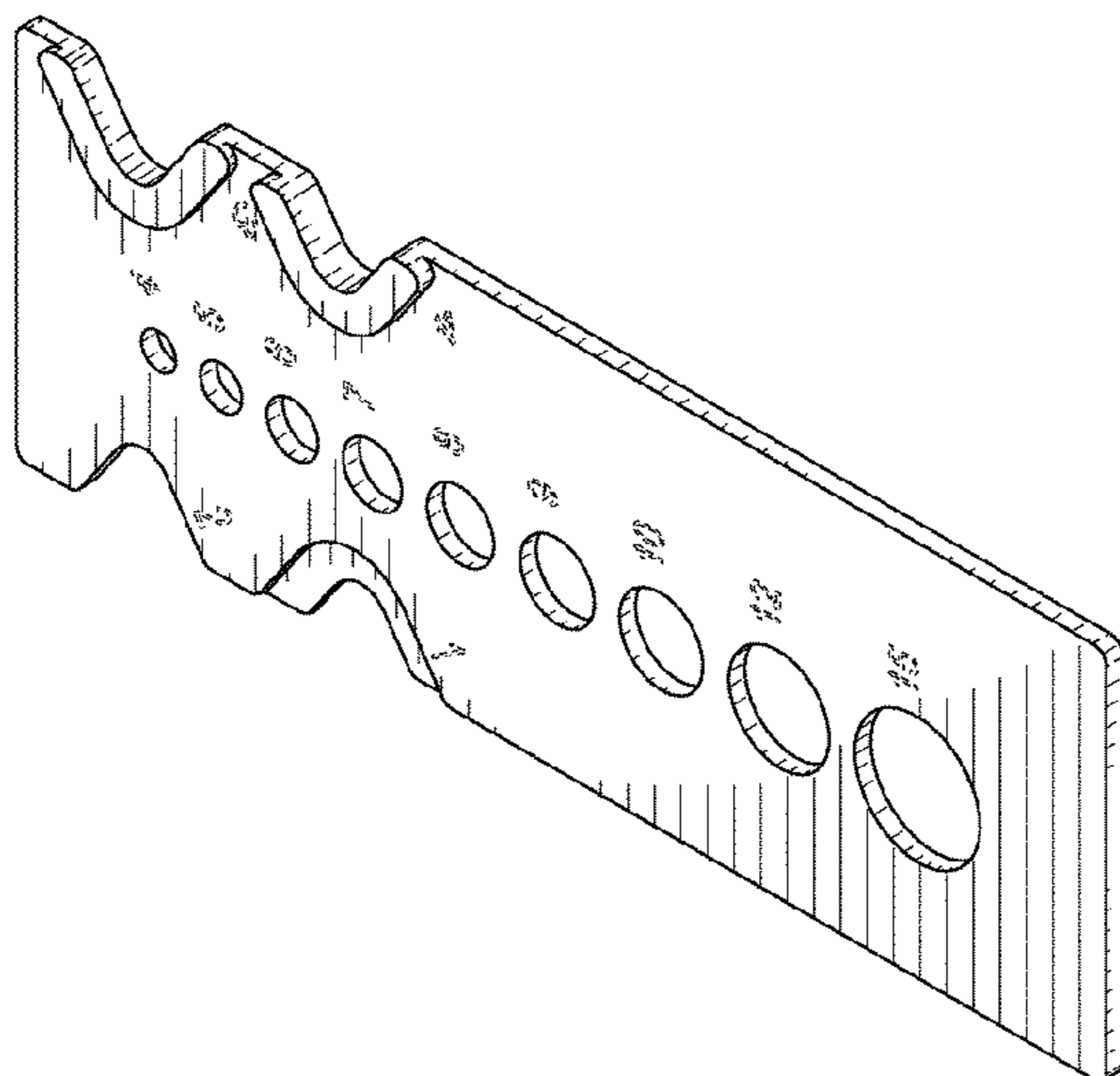
(57) **CLAIM**

The ornamental design for a measurement guide for a cyst, lesion or skin disorder, as shown and described.

**DESCRIPTION**

FIG. 1 is a perspective view of a first embodiment of a measurement guide for a cyst, lesion, or skin disorder, showing my new design;  
FIG. 2 is a front view thereof;  
FIG. 3 is a rear view thereof;  
FIG. 4 is a left view thereof;  
FIG. 5 is a right view thereof;  
FIG. 6 is a top view thereof;  
FIG. 7 is a bottom view thereof;  
FIG. 8 is a perspective view of a second embodiment of a measure guide for a cyst, lesion, or skin disorder, showing my new design;  
FIG. 9 is a front view thereof;  
FIG. 10 is a rear view thereof;  
FIG. 11 is a left view thereof;  
FIG. 12 is a right view thereof;  
FIG. 13 is a top view thereof; and,  
FIG. 14 is a bottom view thereof.  
The features shown in broken lines form no part of the claimed design.

**1 Claim, 6 Drawing Sheets**



(56)

**References Cited**

U.S. PATENT DOCUMENTS

5,705,363	A	1/1998	Imakawa	
5,741,212	A	4/1998	Matthews	
6,171,276	B1	1/2001	Lippe et al.	
6,203,530	B1	3/2001	Stewart, Sr.	
6,790,456	B2	9/2004	Vogel et al.	
7,442,185	B2	10/2008	Amark et al.	
D621,938	S *	8/2010	Petersen .....	D24/140
8,123,724	B2	2/2012	Gillespie, III	
8,128,960	B2	3/2012	Kabra et al.	
D669,985	S *	10/2012	Cheney .....	D24/140
D725,267	S *	3/2015	Gantes .....	D10/64
D728,110	S *	4/2015	Corbett, III .....	D24/105
D750,776	S *	3/2016	Lytle .....	D24/140
D755,964	S *	5/2016	Freudenthal .....	D24/140
D784,536	S *	4/2017	Freudenthal .....	D24/140
D829,908	S *	10/2018	Wonderley .....	D24/147
D830,549	S *	10/2018	Wartinbee .....	D24/140
2003/0040716	A1	2/2003	Heiniger et al.	
2004/0225276	A1	11/2004	Burgess	
2006/0037091	A1	2/2006	Gurtner et al.	
2007/0197968	A1	8/2007	Pongpaichana et al.	
2008/0015503	A1	1/2008	Jansen et al.	
2010/0100039	A1	4/2010	Wyrick	
2010/0152667	A1	6/2010	Kietzmann	

2010/0274178	A1	10/2010	LePivert
2012/0004620	A1	1/2012	Spool et al.
2012/0056019	A1	3/2012	Renz et al.
2014/0039451	A1	2/2014	Bangera et al.
2014/0323837	A1	10/2014	Hirshberg
2014/0336577	A1	11/2014	McCoy
2015/0110892	A1	4/2015	Gammelsaeter et al.

FOREIGN PATENT DOCUMENTS

EP	2871064	A1	5/2015
KR	101525854	B1	6/2015
WO	2015134226	A1	9/2015

OTHER PUBLICATIONS

Office Action issued in related U.S. Appl. No. 15/444,598 dated Feb. 11, 2019.  
 Office Action issued in related U.S. Appl. No. 15/444,598 dated Aug. 12, 2019.  
 Office Action issued in related U.S. Appl. No. 15/240,679 dated Dec. 22, 2016.  
 Examination report issued in related Australian Patent Application No. 2017245259 dated Feb. 14, 2019.  
 Notice of Allowance issued in related U.S. Appl. No. 15/444,598 dated Jan. 8, 2020.

\* cited by examiner

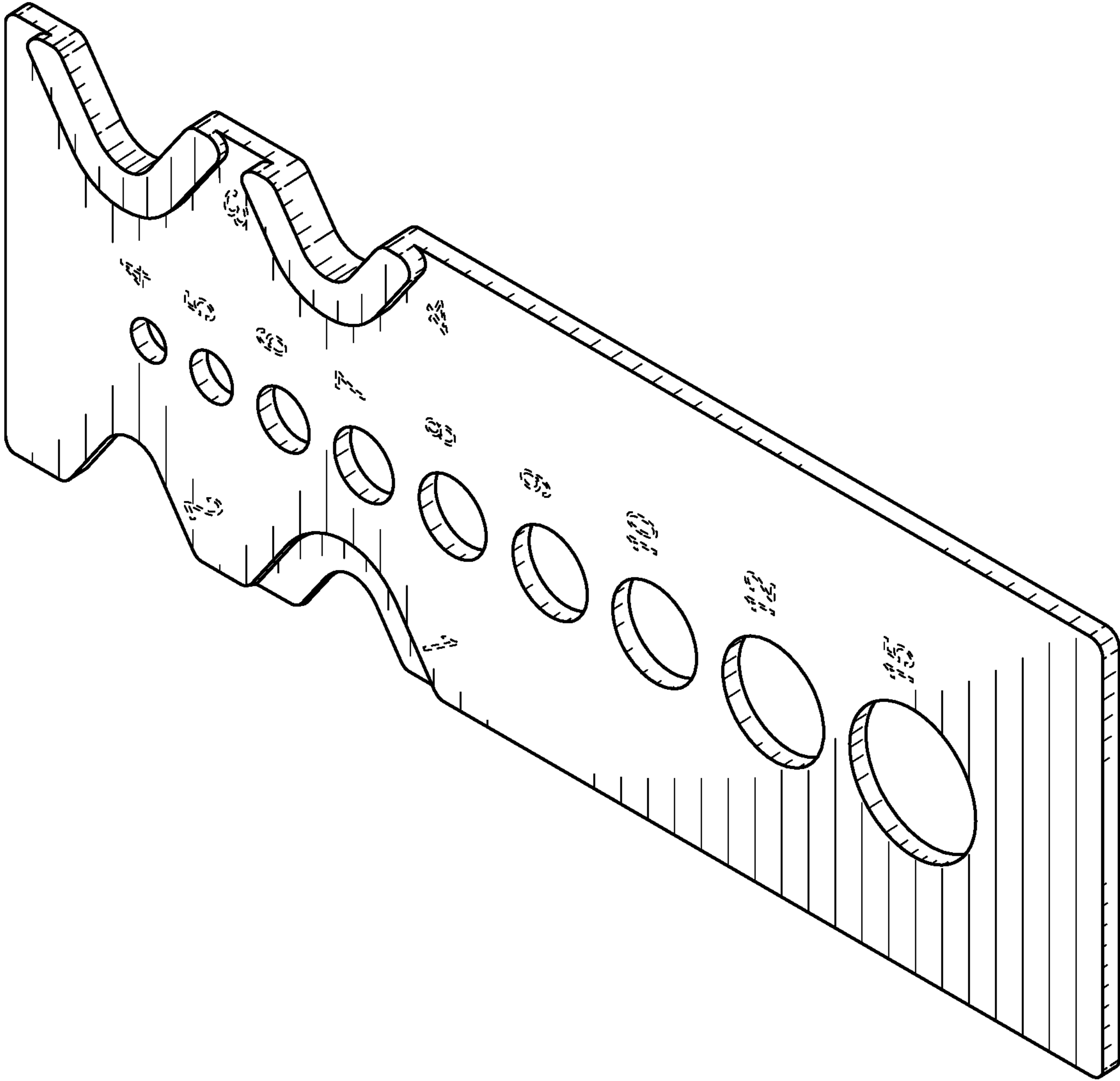


FIG. 1

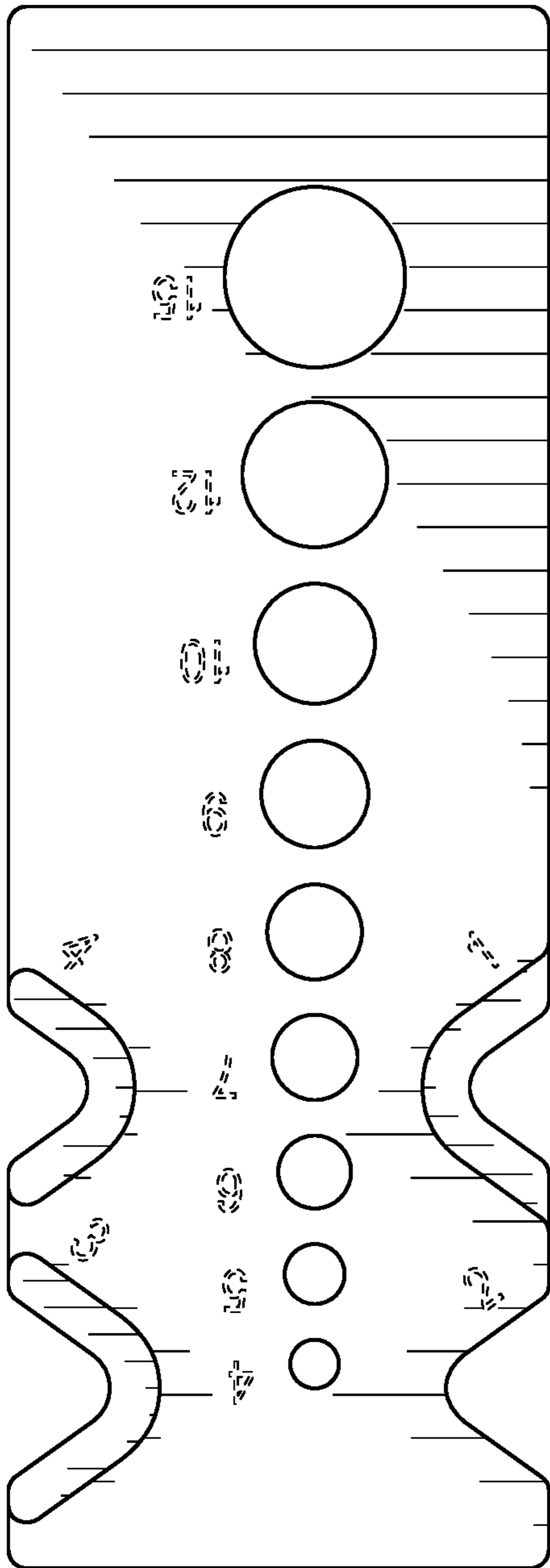


FIG. 2

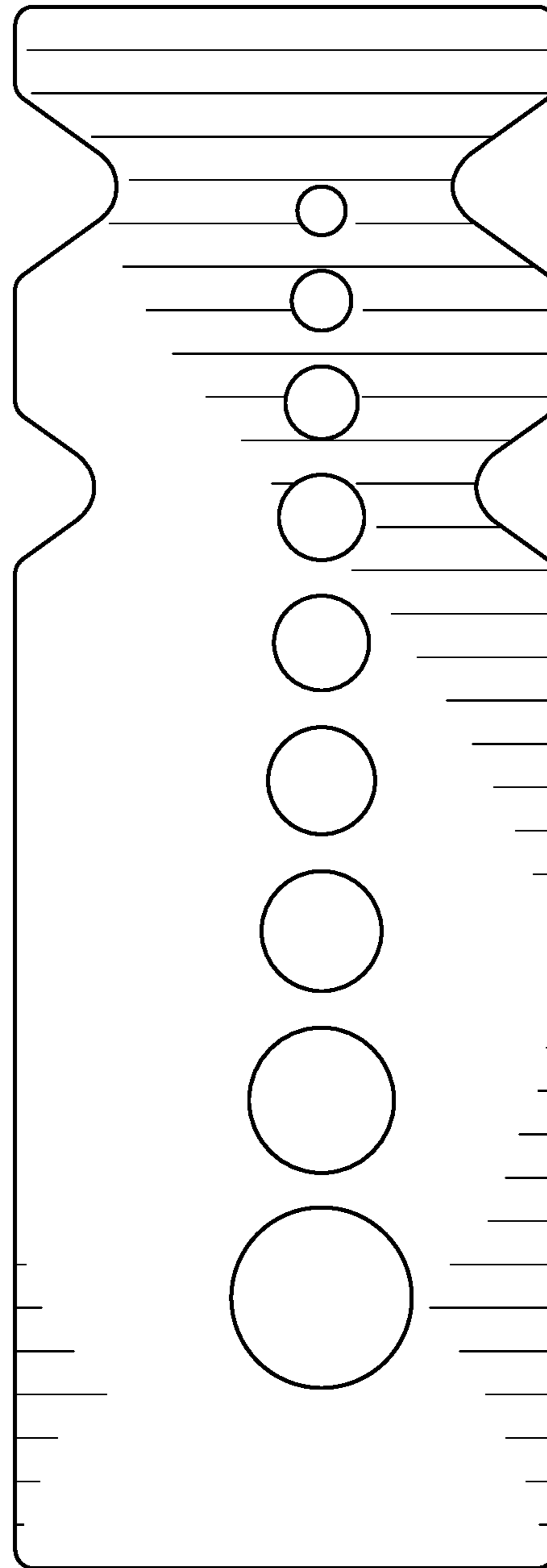


FIG. 3

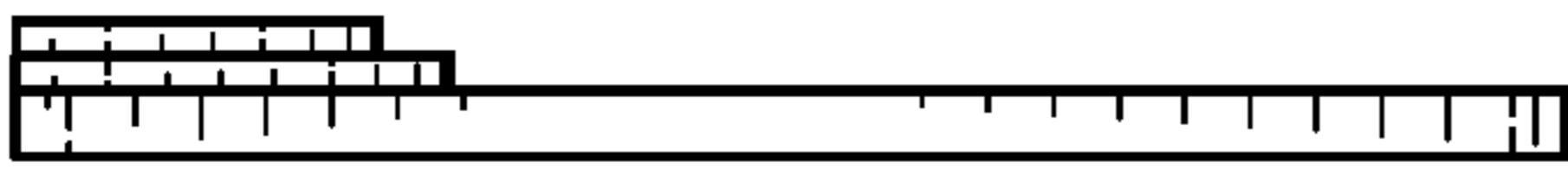


FIG. 4

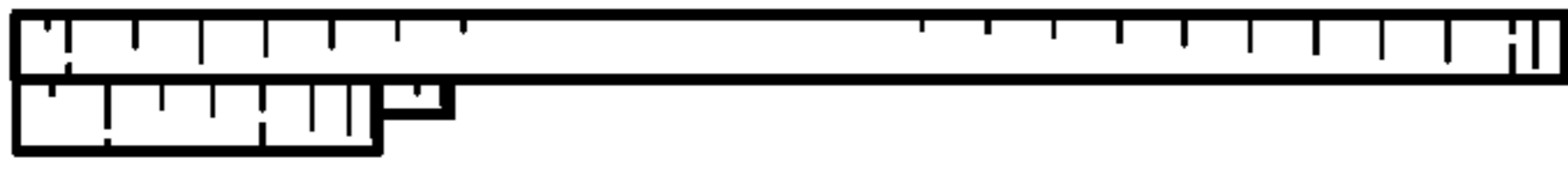


FIG. 5

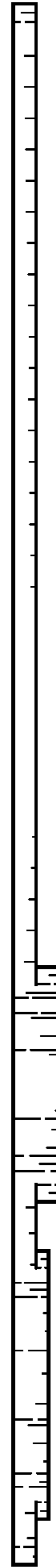


FIG. 6

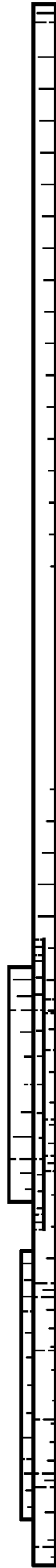


FIG. 7

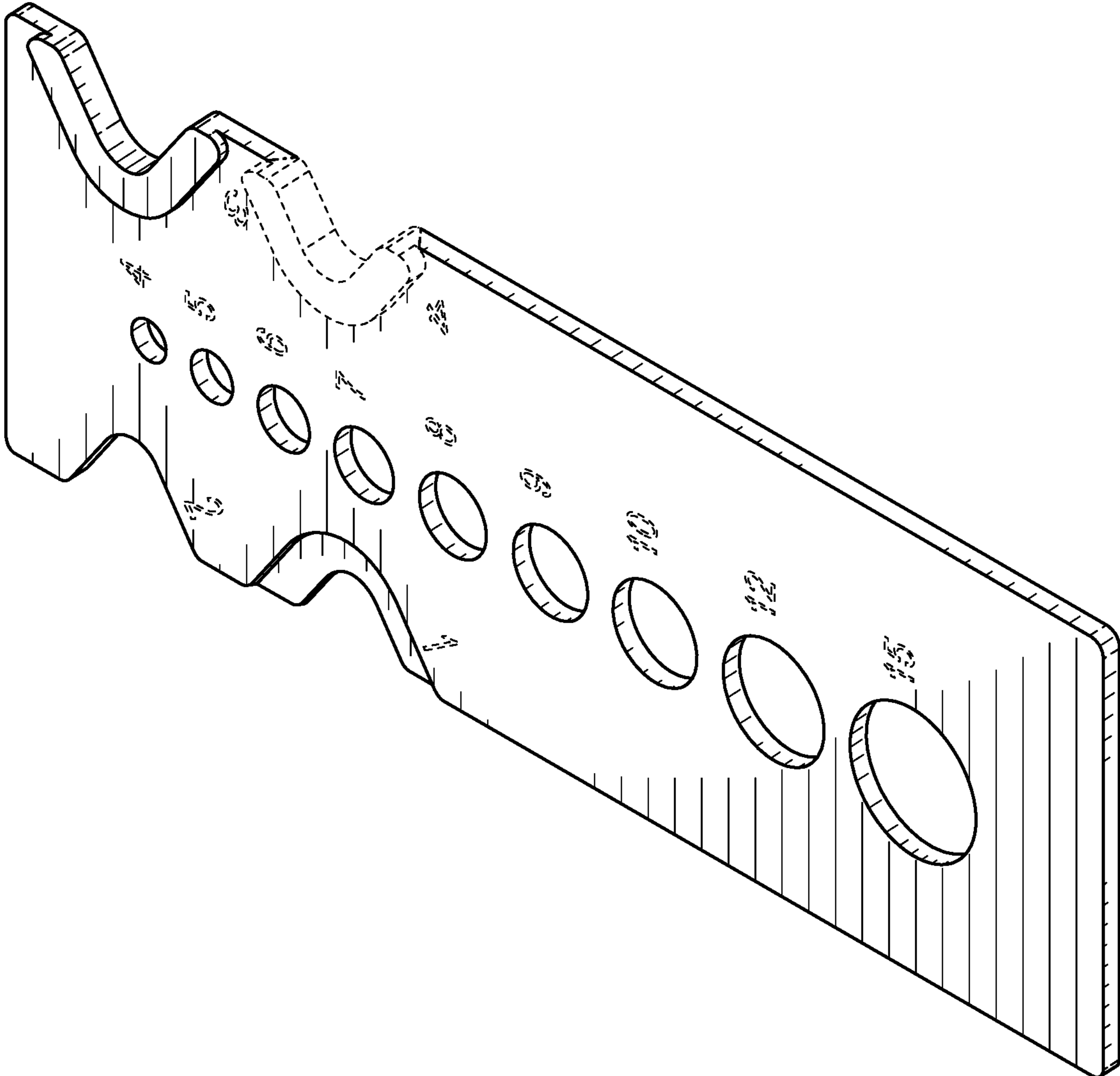


FIG. 8

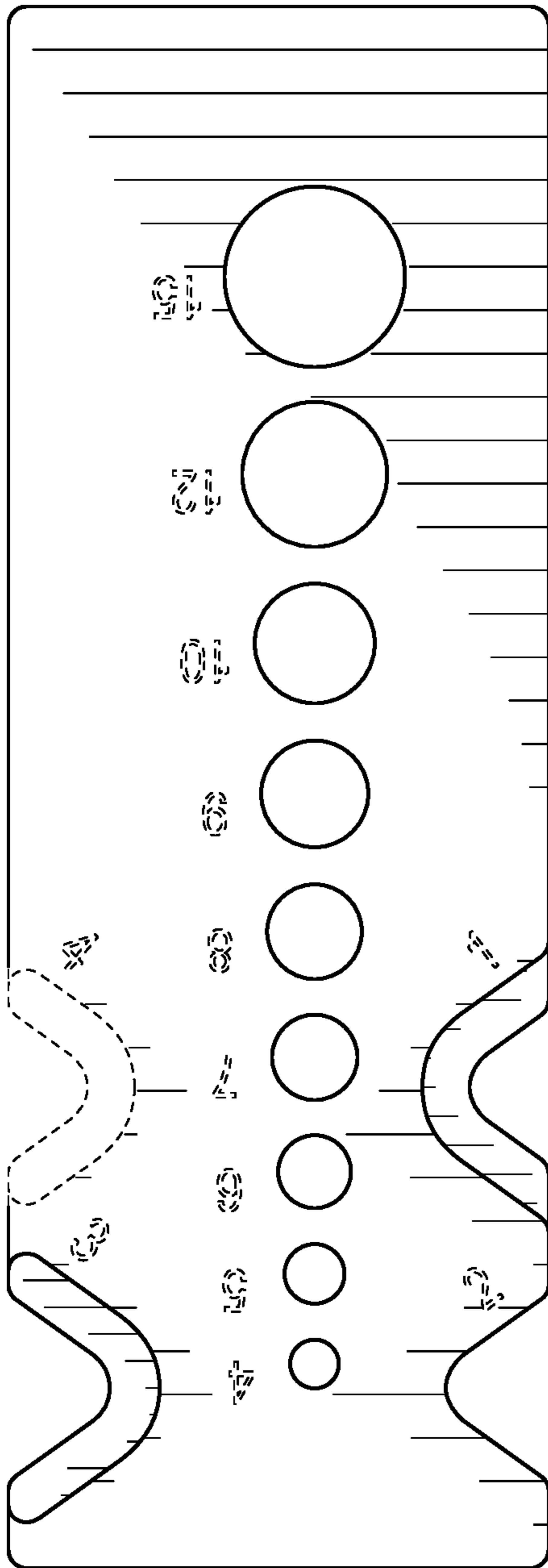


FIG. 9

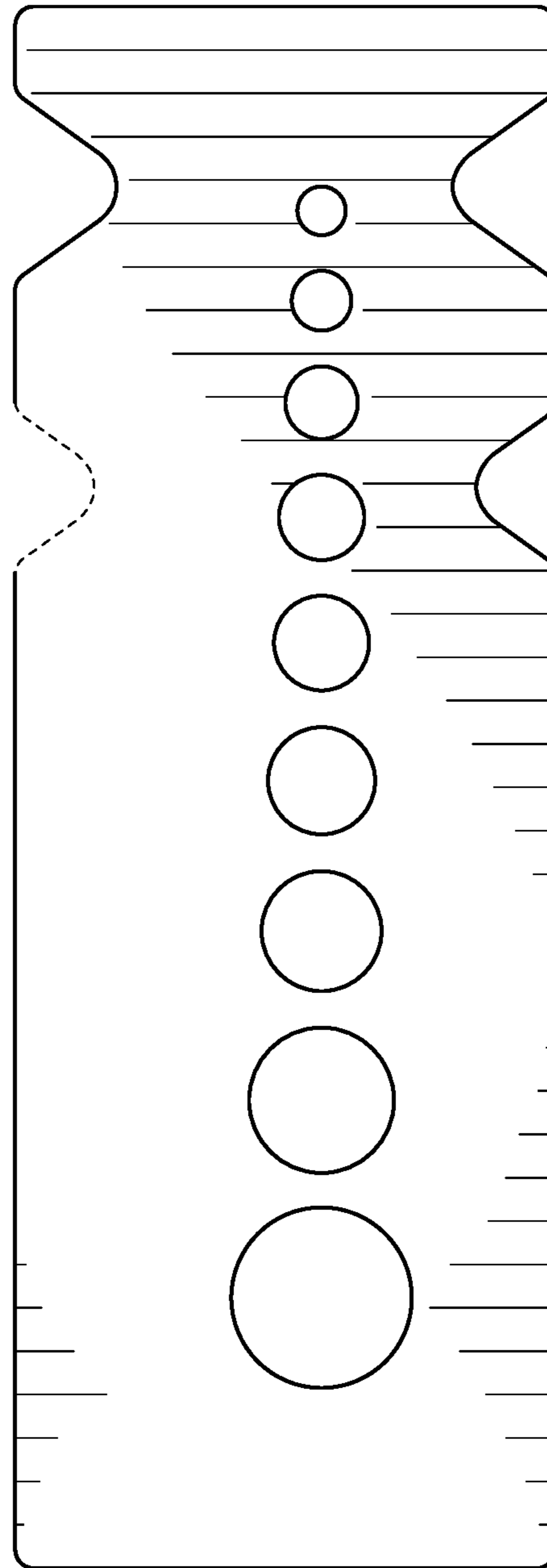


FIG. 10

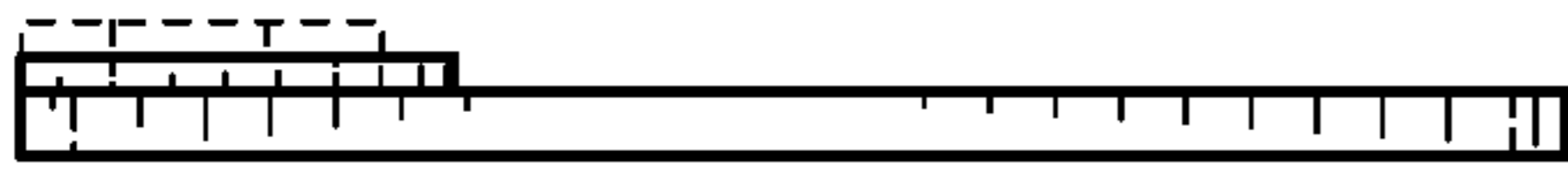


FIG. 11

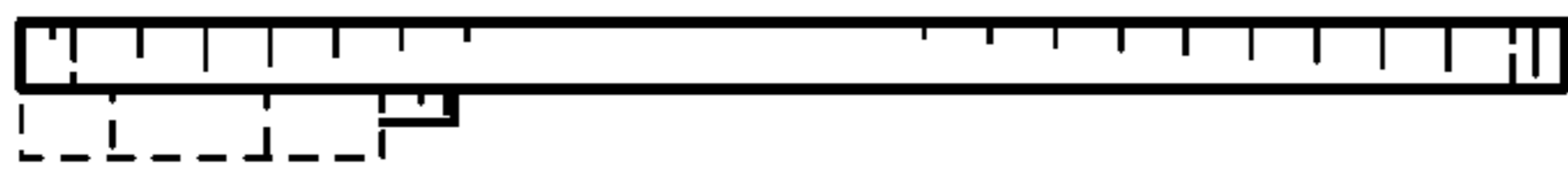


FIG. 12

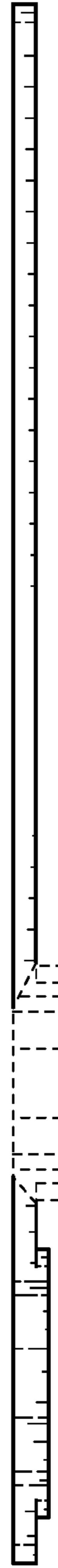


FIG. 13

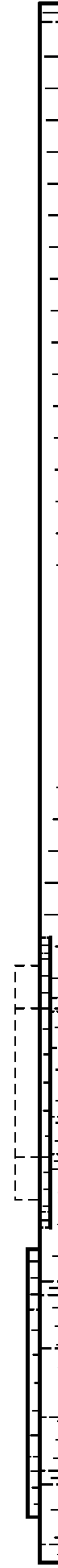


FIG. 14