



US00D893714S

(12) **United States Design Patent** (10) **Patent No.:** **US D893,714 S**
Trezza et al. (45) **Date of Patent:** **** Aug. 18, 2020**

(54) **LAPAROSCOPIC ADAPTOR**

D376,649 S * 12/1996 Kim D24/146
5,814,022 A 9/1998 Antanavich et al.
D442,553 S * 5/2001 Urban D13/147
(Continued)

(71) Applicant: **Ethicon LLC**, Guaynabo, PR (US)

(72) Inventors: **Michael J. Trezza**, Long Valley, NJ (US); **Michael E. Setser**, Burlington, KY (US); **John Anastasiadis**, Tinton Falls, NJ (US); **Michael J. Vendely**, Lebanon, OH (US)

FOREIGN PATENT DOCUMENTS

DE 4223356 1/1994
EM 005619848-0001 * 11/2018
(Continued)

(73) Assignee: **Ethicon LLC**, Guaynabo, PR (US)

(**) Term: **15 Years**

OTHER PUBLICATIONS

(21) Appl. No.: **29/638,248**

Medical product outsourcing Magazine. Link: https://www.mpo-mag.com/contents/view_breaking-news/2017-06-20/fda-clears-bds-customizable-micro-laparoscopic-instruments. Jun. 20, 2017. FDA Clears BD's Customizable Micro-Laparoscopic Instruments. (Year: 2017).*

(22) Filed: **Feb. 26, 2018**

(Continued)

Related U.S. Application Data

(63) Continuation of application No. 29/637,139, filed on Feb. 14, 2018.

Primary Examiner — Lauren D McVey
(74) *Attorney, Agent, or Firm* — David R. Crichton

(51) **LOC (12) Cl.** **24-02**

(52) **U.S. Cl.**
USPC **D24/138**

(57) **CLAIM**

(58) **Field of Classification Search**
USPC D24/133, 138, 112, 113, 130, 134, 135, D24/145, 146, 140, 147
CPC A61B 17/2909; A61B 17/0469; A61B 17/0483; A61B 17/0485; A61B 1/313; A61B 1/3132; A61B 1/3135; A61B 1/3137; A61B 1/317; A61B 1/32
See application file for complete search history.

The ornamental design for a laparoscopic adaptor, as shown and described.

DESCRIPTION

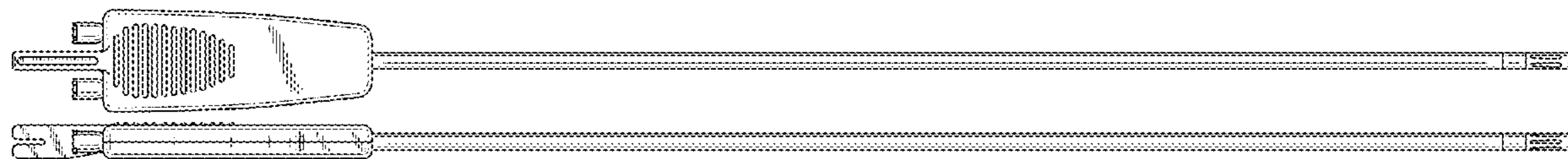
(56) **References Cited**

U.S. PATENT DOCUMENTS

4,046,479 A 9/1977 Paley
4,932,942 A 6/1990 Maslanka
4,979,942 A 12/1990 Wolf et al.
5,389,087 A 2/1995 Miraki
D358,471 S * 5/1995 Cope D24/137
5,562,689 A * 10/1996 Green A61B 17/0401
24/115 M

FIG. 1 is a perspective view of a laparoscopic adaptor showing our new design;
FIG. 2 is a top view thereof;
FIG. 3 is a side elevation view thereof;
FIG. 4 is a bottom view thereof;
FIG. 5 is an enlarged rear view thereof; and,
FIG. 6 is an enlarged front view thereof.
The dot-dash broken lines immediately adjacent to the claim and define unshaded regions depict the bounds of the claimed design, while all other dot-dashed broken lines are directed to environment. The broken lines form no part of the claimed design.

1 Claim, 3 Drawing Sheets



(56)

References Cited

U.S. PATENT DOCUMENTS

D456,509 S * 4/2002 Schultz D13/153
 6,494,896 B1 12/2002 D'Alessio et al.
 6,884,232 B1 4/2005 Hagmann et al.
 6,921,381 B2 7/2005 Spero et al.
 D523,557 S * 6/2006 Jones D24/155
 7,077,339 B2 7/2006 Leach
 D534,650 S * 1/2007 Inman D24/133
 7,762,984 B2 7/2010 Kumoyama
 D630,735 S 1/2011 Behrbohm
 D638,938 S 5/2011 Doll
 D640,785 S 6/2011 Lee
 8,088,099 B2 1/2012 McIntosh et al.
 D682,422 S * 5/2013 Anderson D24/130
 8,460,235 B2 6/2013 Keller
 D695,891 S 12/2013 Biel et al.
 8,684,282 B2 4/2014 Steffen
 8,974,436 B2 3/2015 Sherman et al.
 9,022,975 B2 5/2015 Goodman et al.
 9,125,633 B2 9/2015 Roush et al.
 D746,445 S 12/2015 Lazarus
 D747,802 S 1/2016 Freigang
 D748,774 S 2/2016 Caron
 D851,248 S * 6/2019 Winkler D24/138
 D856,511 S 8/2019 Kelly et al.
 D856,513 S 8/2019 Taylor et al.
 D857,195 S 8/2019 Taylor et al.
 D858,751 S 9/2019 Fischman
 2003/0065246 A1 * 4/2003 Inman A61B 17/0401
 600/29
 2007/0157985 A1 7/2007 Caro et al.

2007/0288048 A1* 12/2007 Ortiz A61B 17/0483
 606/190
 2008/0060970 A1 3/2008 Wheeler
 2009/0108091 A1 4/2009 Steffen
 2009/0143794 A1* 6/2009 Conlon A61B 17/32056
 606/167
 2010/0121268 A1 5/2010 Keller
 2011/0092899 A1 4/2011 Ohri et al.
 2013/0006275 A1* 1/2013 Alexander A61B 17/0469
 606/144
 2014/0014213 A1 1/2014 Hull
 2015/0216516 A1 8/2015 Steffen

FOREIGN PATENT DOCUMENTS

EM 005619848-0002 * 11/2018
 GB 6042339 * 8/2018
 GB 6042340 * 8/2018
 WO WO 2000/006216 2/2000
 WO WO 2003/039375 5/2003
 WO WO 2009/132331 10/2009
 WO WO 2014/207920 12/2014

OTHER PUBLICATIONS

International Search Report re: PCT/US2017/063619 dated Mar. 29, 2018.
 Written Opinion re: PCT/US2017/063619 dated Mar. 29, 2018.
 Pending U.S. Appl. No. 29/637,139, filed Feb. 14, 2018.
 Pending U.S. Appl. No. 15/392,970, filed Dec. 28, 2016, U.S. Pat. No. 2018-0177978, published Jun. 28, 2018.

* cited by examiner

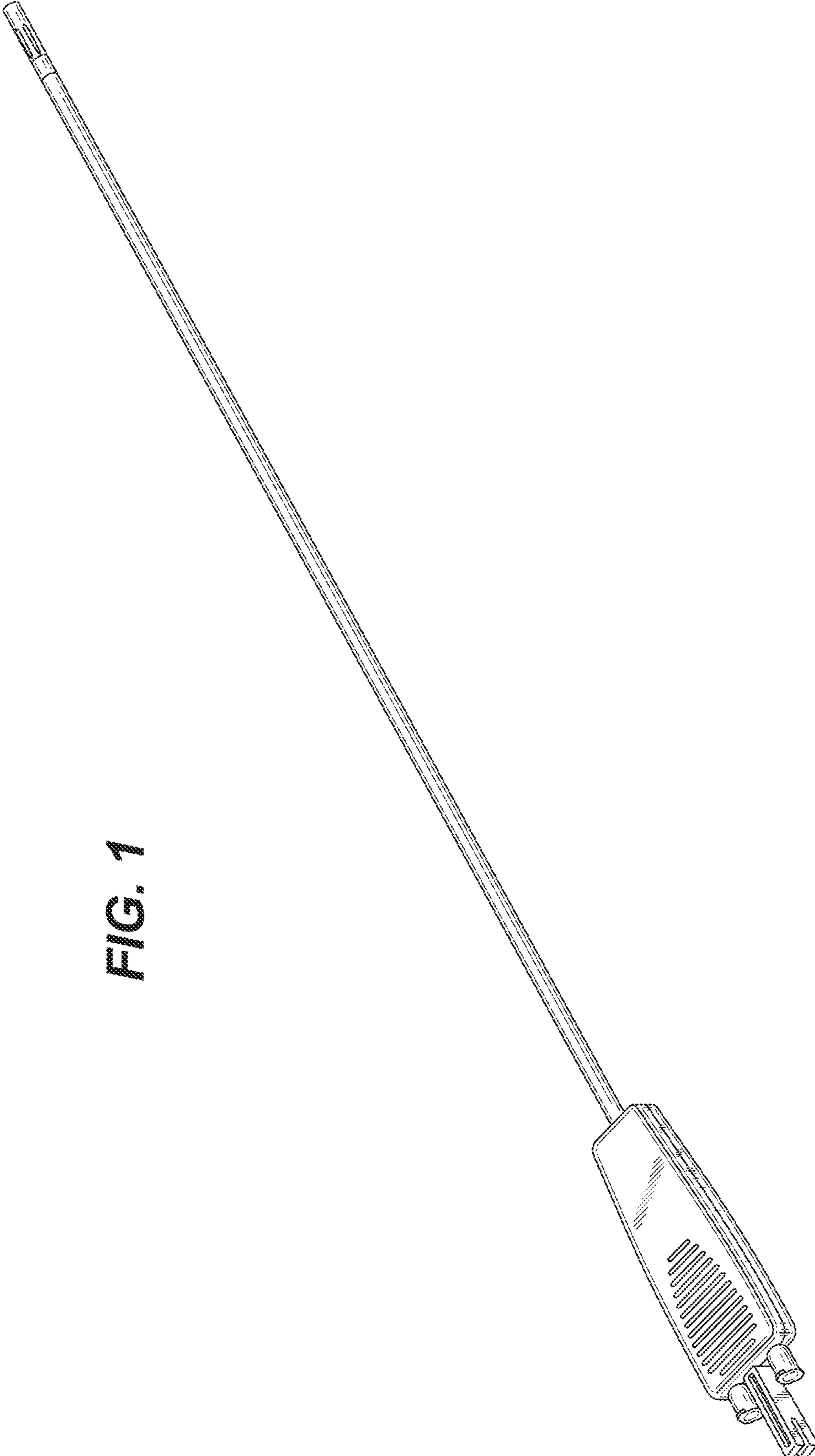


FIG. 1

FIG. 2

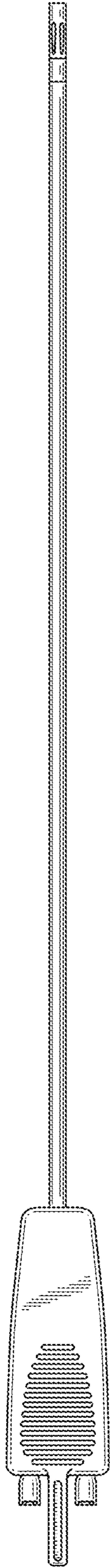


FIG. 3

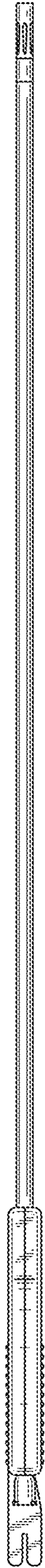


FIG. 4

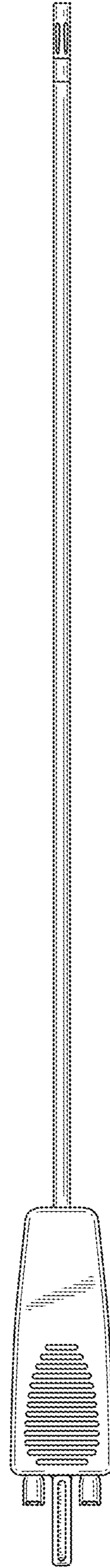


FIG. 5

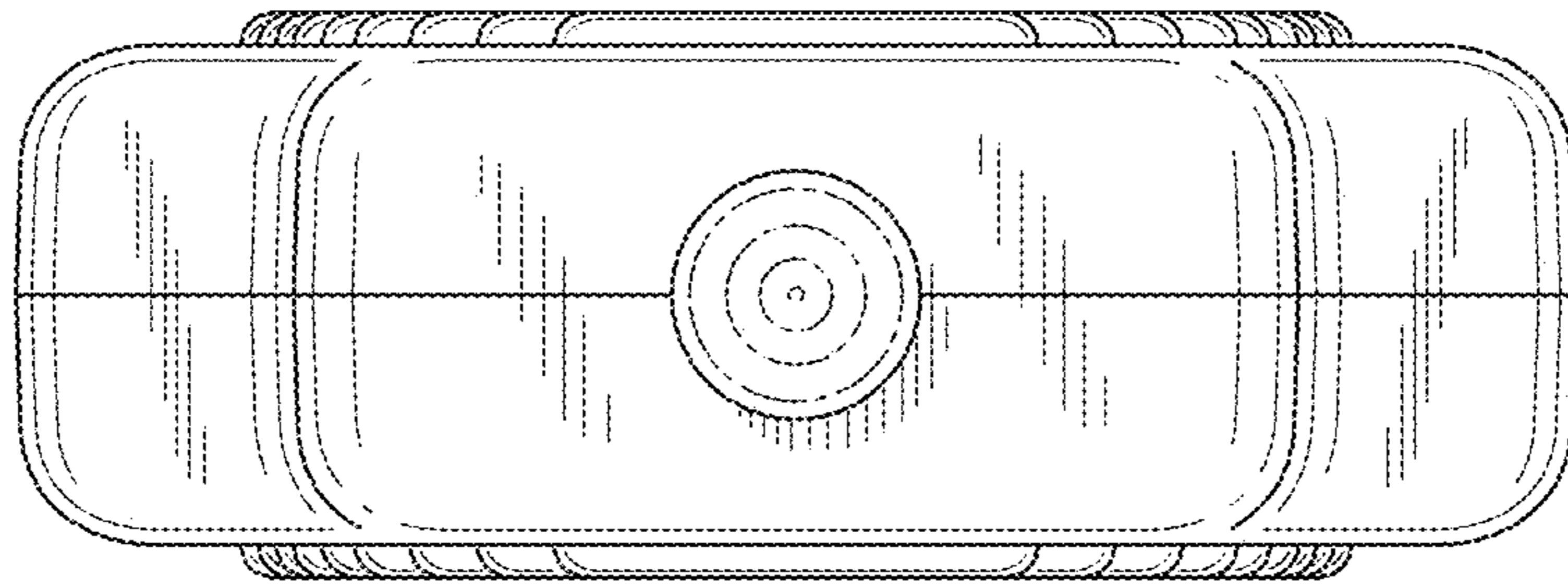


FIG. 6

