



US00D893712S

(12) **United States Design Patent**
Halseth

(10) **Patent No.:** **US D893,712 S**

(45) **Date of Patent:** **** Aug. 18, 2020**

- (54) **GRIP FOR AUTOINJECTORS**
- (71) Applicant: **Action Medical Technologies, LLC**,
Conshohocken, PA (US)
- (72) Inventor: **Thor Rollings Halseth**, Shingle
Springs, CA (US)
- (73) Assignee: **Action Medical Technologies, LLC**,
Conshohocken, PA (US)
- (**) Term: **15 Years**
- (21) Appl. No.: **29/680,355**
- (22) Filed: **Feb. 15, 2019**
- (51) **LOC (12) Cl.** **24-02**
- (52) **U.S. Cl.**
USPC **D24/130**
- (58) **Field of Classification Search**
USPC D24/127–131, 112–114, 133, 186;
606/181, 185; 604/264, 523–528, 272,
604/187, 158, 164.01–164.11, 181, 184,
604/227; 600/101, 139, 143;
128/200.24, 207.14, 207.15
CPC A61M 25/00; A61M 39/00; A61M 27/00;
A61M 25/0043; A61M 25/0067; A61M
25/0097; A61F 2/958
See application file for complete search history.

5,271,744 A	12/1993	Kramer et al.	
5,320,609 A	6/1994	Haber et al.	
5,478,316 A	12/1995	Bitdinger et al.	
5,637,094 A	6/1997	Stewart et al.	
5,957,896 A	9/1999	Bendek et al.	
6,159,181 A	12/2000	Crossman et al.	
6,319,234 B1	11/2001	Restelli et al.	
D461,407 S *	8/2002	Barnes	D9/435
D482,286 S *	11/2003	Samson	D9/522
6,808,507 B2	10/2004	Roser	
D538,164 S *	3/2007	Zach	D9/517
D539,660 S *	4/2007	Bunch	D9/529

(Continued)

Primary Examiner — Nathan M Johnston
(74) *Attorney, Agent, or Firm* — Duane Morris LLP

(57) **CLAIM**

I claim the ornamental design for a grip for autoinjectors, as shown and described.

DESCRIPTION

FIG. 1 is a perspective view of an embodiment of a grip for autoinjectors according to the present invention.

FIG. 2 a front elevation view of the grip for autoinjectors of FIG. 1.

FIG. 3 is a rear elevation view of the grip for autoinjectors of FIG. 1.

FIG. 4 is a left side elevation view of the grip for autoinjectors of FIG. 1.

FIG. 5 is a right side elevation view of the grip for autoinjectors of FIG. 1.

FIG. 6 is a top view of the grip for autoinjectors of FIG. 1.

FIG. 7 is a bottom view of the grip for autoinjectors of FIG. 1; and,

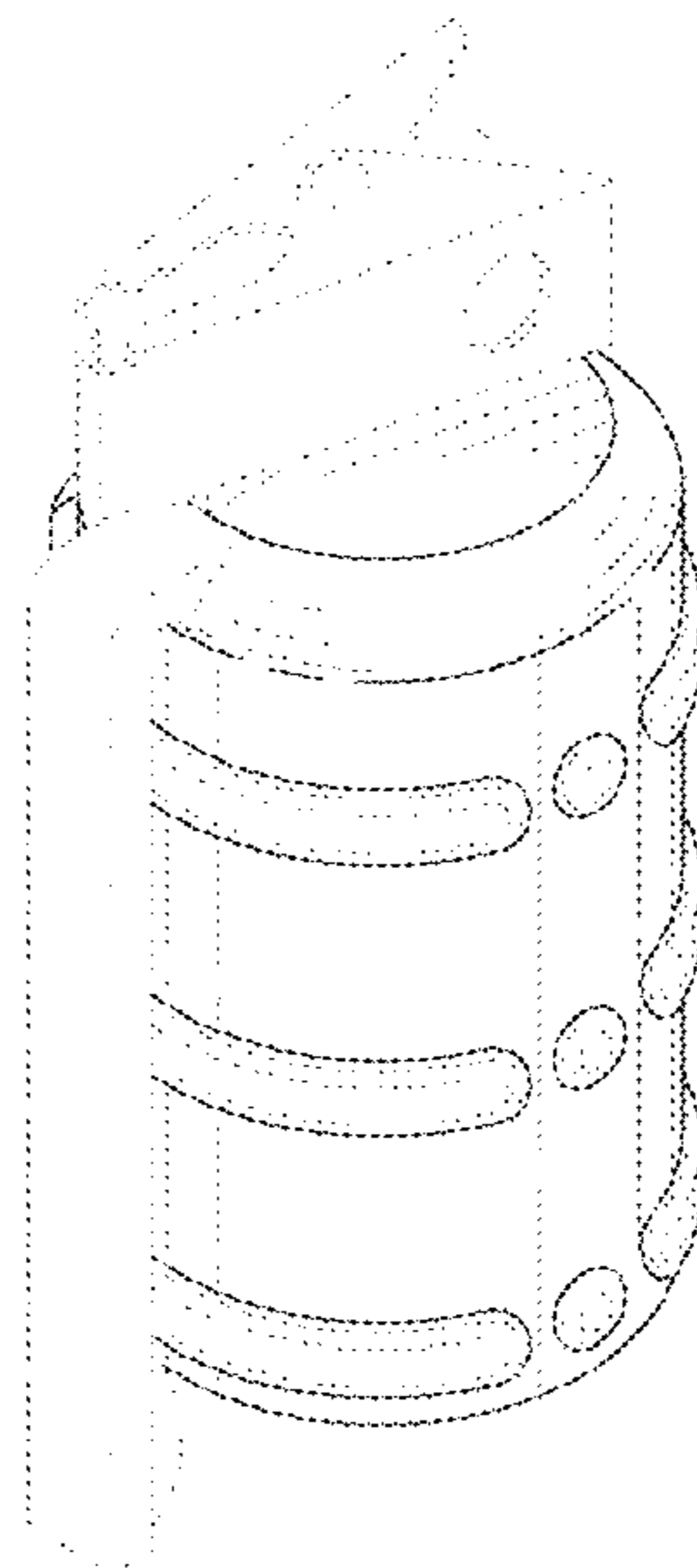
FIG. 8 is a front elevation view of the grip for autoinjectors of FIG. 1 with the clip shown in a second orientation.

The broken lines shown are included for the purpose of illustrating portions of the grip for autoinjectors that form no part of the claimed design.

(56) **References Cited**
U.S. PATENT DOCUMENTS

3,572,336 A	3/1971	Hershberg	
3,742,948 A	7/1973	Post et al.	
4,031,893 A	6/1977	Kaplan et al.	
4,447,231 A	5/1984	Bekkering	
4,529,403 A	7/1985	Kamstra	
4,998,924 A	3/1991	Ranford	
D321,251 S *	10/1991	Jepson	D24/112
D327,318 S *	6/1992	Dudar	D24/112

1 Claim, 7 Drawing Sheets



(56)

References Cited

U.S. PATENT DOCUMENTS

D554,996 S *	11/2007	Laupie	D9/502	9,265,886 B2	2/2016	Wyrick	
D567,212 S *	4/2008	Prince	D14/204	9,283,326 B2	3/2016	Kemp et al.	
D567,213 S *	4/2008	Prince	D14/204	9,364,617 B2	6/2016	Riedel	
D567,214 S *	4/2008	Fynboe	D14/204	D762,851 S *	8/2016	Tegg	D24/130
7,381,201 B2	6/2008	Gilbert et al.		9,421,337 B2	8/2016	Kemp et al.	
7,517,334 B2	4/2009	Jacobs et al.		9,486,582 B2	11/2016	Abry et al.	
D592,513 S *	5/2009	Zach	D9/517	D782,037 S *	3/2017	Osycka	D24/130
D595,411 S *	6/2009	Takabatake	D24/146	D825,746 S *	8/2018	Davis	D24/129
D611,823 S *	3/2010	Sindler	D9/520	D832,426 S *	10/2018	Holton	D24/127
7,717,877 B2	5/2010	Lavi et al.		D834,187 S *	11/2018	Ryan	A61M 39/20
7,905,352 B2	3/2011	Wyrick					D24/130
7,931,618 B2	4/2011	Wyrick		D848,000 S *	5/2019	Stuppy	D24/176
8,123,724 B2	2/2012	Gillespie, III		D848,792 S *	5/2019	Duvigneau	D7/510
D655,815 S *	3/2012	Miller	D24/133	D874,000 S *	1/2020	Di Sessa	D24/144
8,187,224 B2	5/2012	Wyrick		2006/0189938 A1	8/2006	Hommann et al.	
8,313,463 B2	11/2012	Barrow et al.		2010/0016793 A1	1/2010	Jennings et al.	
8,343,103 B2	1/2013	Moser		2010/0298768 A1	11/2010	Halili, Jr. et al.	
D675,523 S *	2/2013	Bartz	D9/443	2012/0101475 A1	4/2012	Wilmot et al.	
8,460,245 B2	6/2013	Guillermo et al.		2013/0123710 A1	5/2013	Ekman et al.	
8,491,530 B2	7/2013	Maritan		2013/0310759 A1	11/2013	Hourmand et al.	
8,529,499 B2	9/2013	Matusch		2014/0135705 A1	5/2014	Hourmand et al.	
8,529,510 B2	9/2013	Giambattista et al.		2014/0228769 A1	8/2014	Karlsson et al.	
8,679,061 B2	3/2014	Julian et al.		2015/0025474 A1	1/2015	Riedel et al.	
8,845,594 B2	9/2014	Jennings		2015/0246181 A1	9/2015	Fourt et al.	
9,044,553 B2	6/2015	James et al.		2015/0265782 A1	9/2015	Riedel et al.	
9,186,459 B2	11/2015	Bechmann et al.		2015/0283323 A1	10/2015	Young et al.	
9,216,256 B2	12/2015	Olson et al.		2016/0008542 A1	1/2016	Hirschel et al.	
D747,471 S *	1/2016	Gulliver	D24/129	2016/0008546 A1	1/2016	Rekaya et al.	
				2018/0339109 A1	11/2018	Halseth	
				2019/0247050 A1 *	8/2019	Goldsmith	A61B 17/12181
				2019/0282795 A1 *	9/2019	Fangrow	A61M 5/00

* cited by examiner

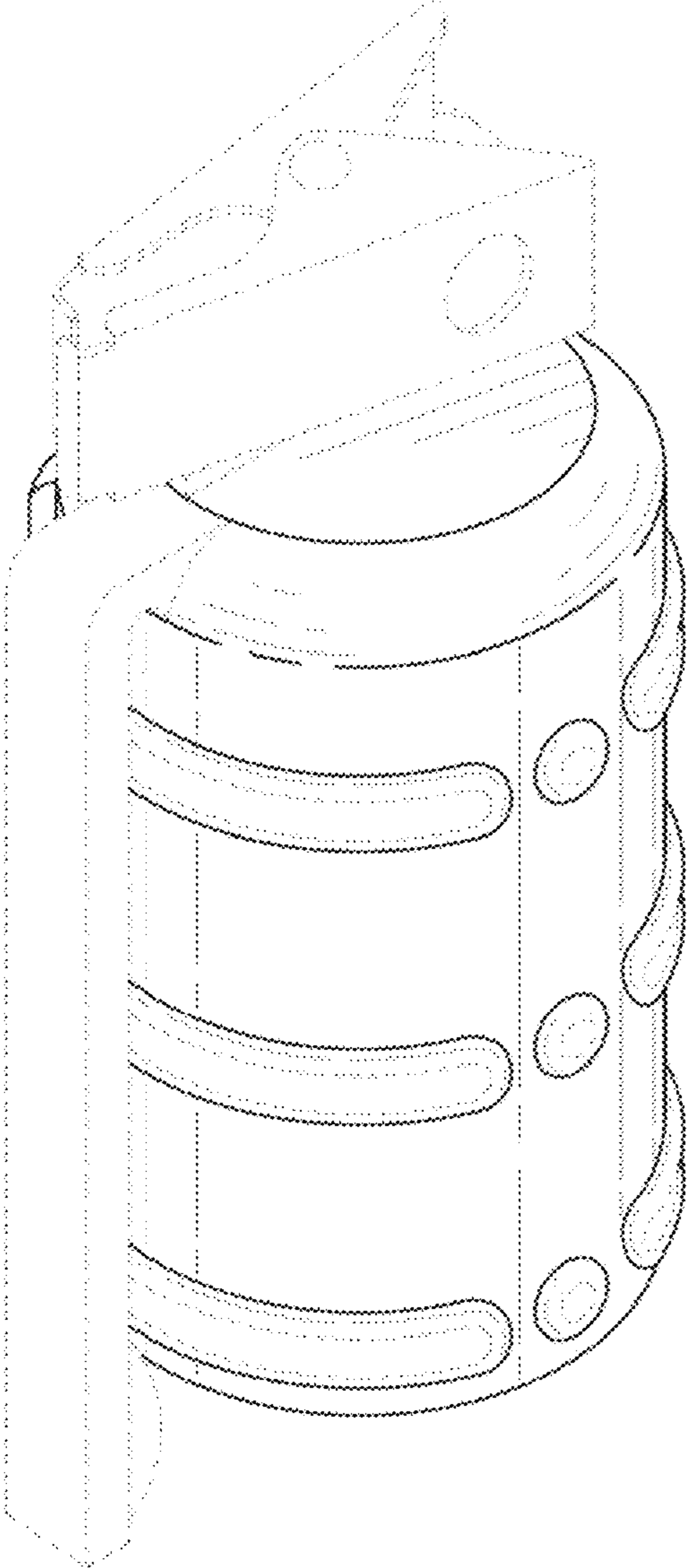


FIG. 1

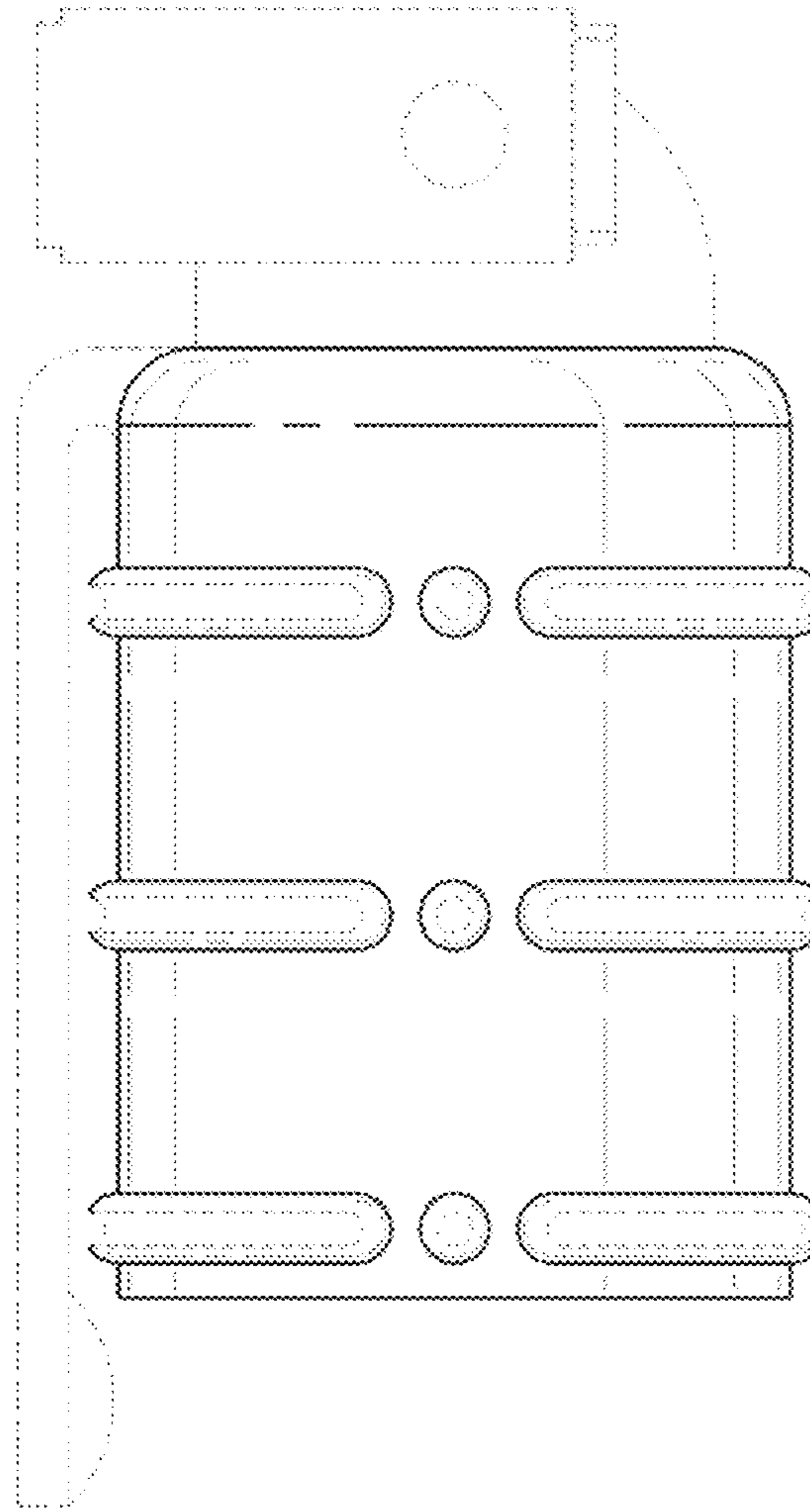


FIG. 2

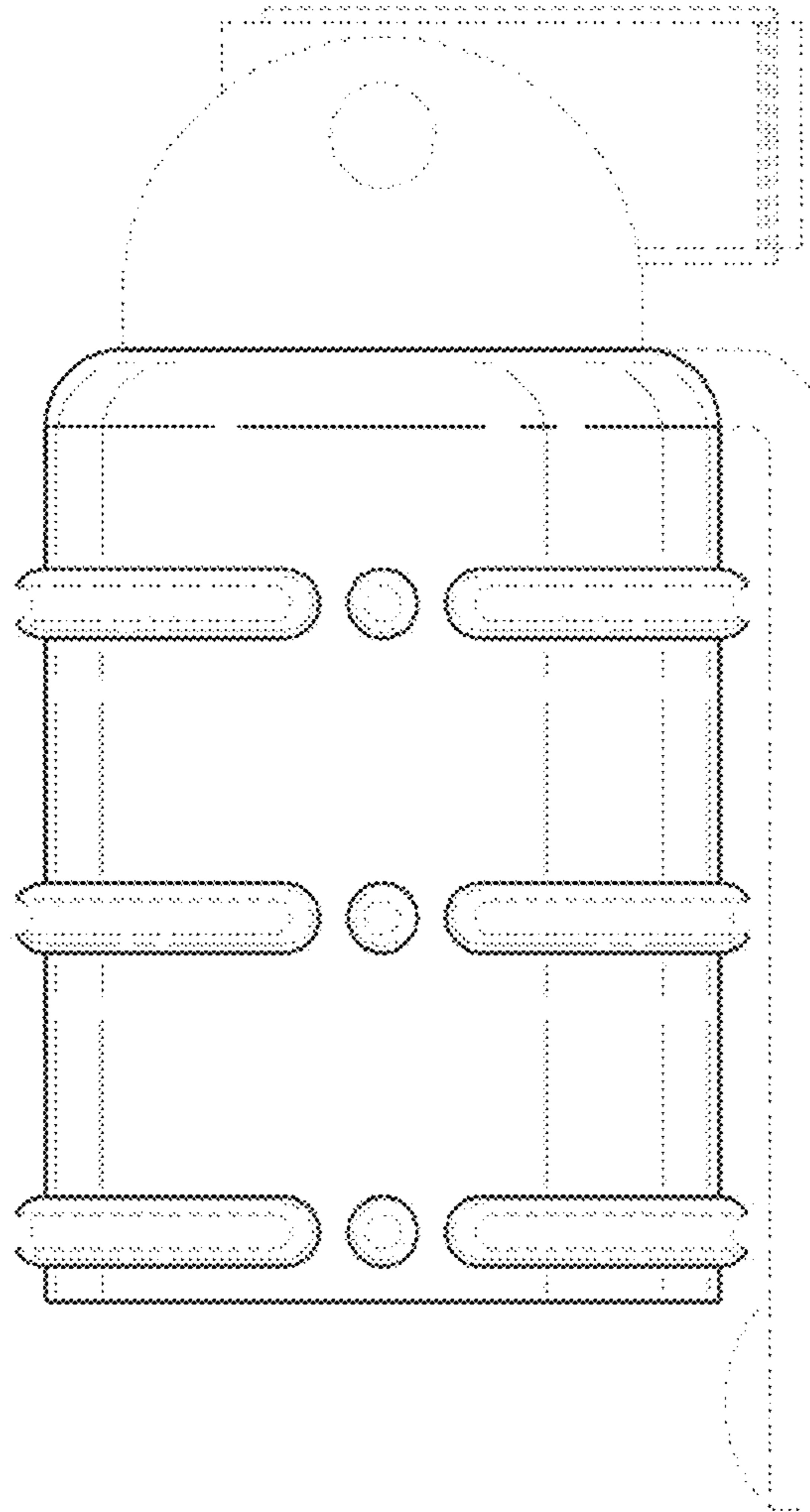


FIG. 3

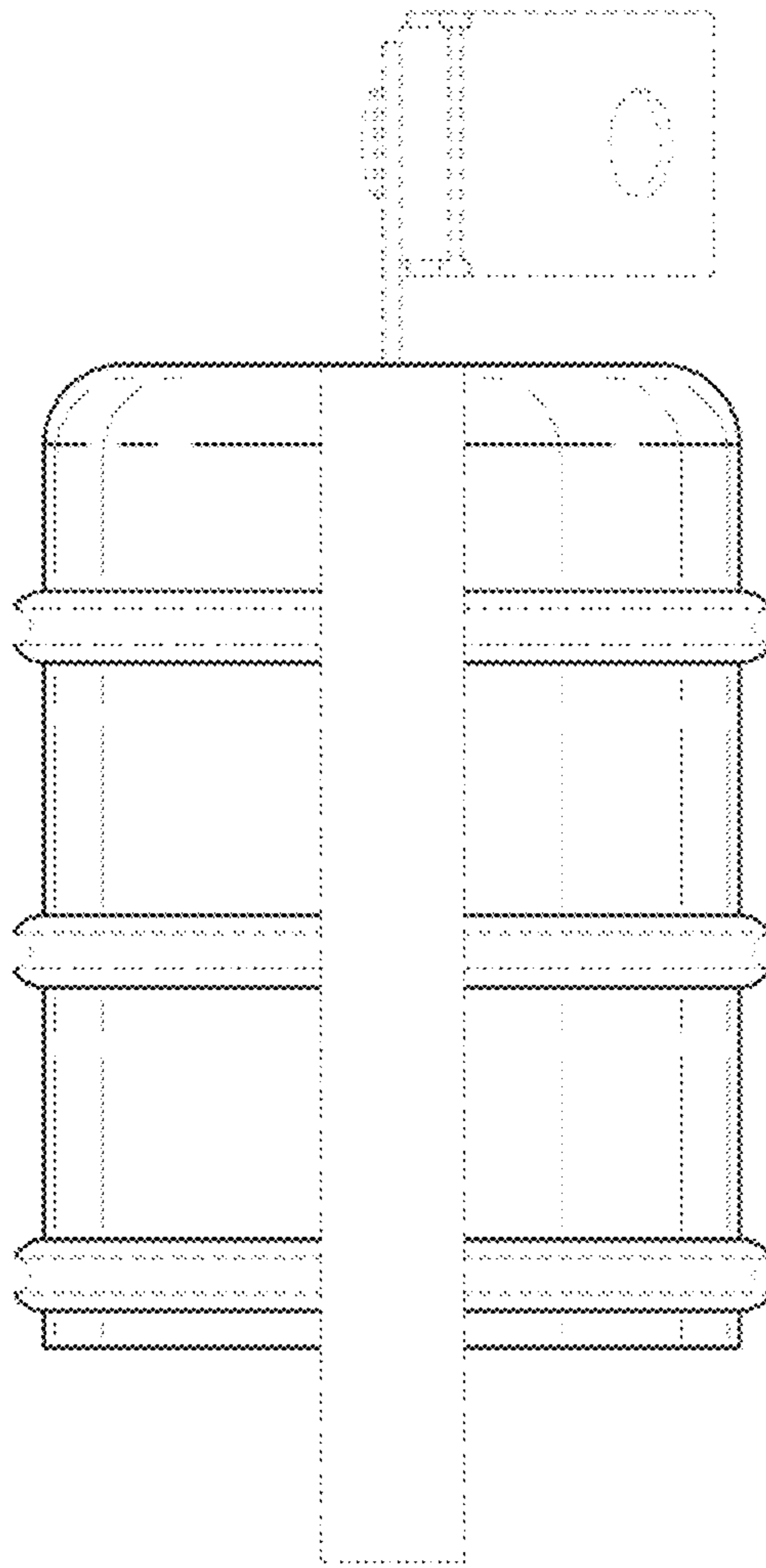


FIG. 4

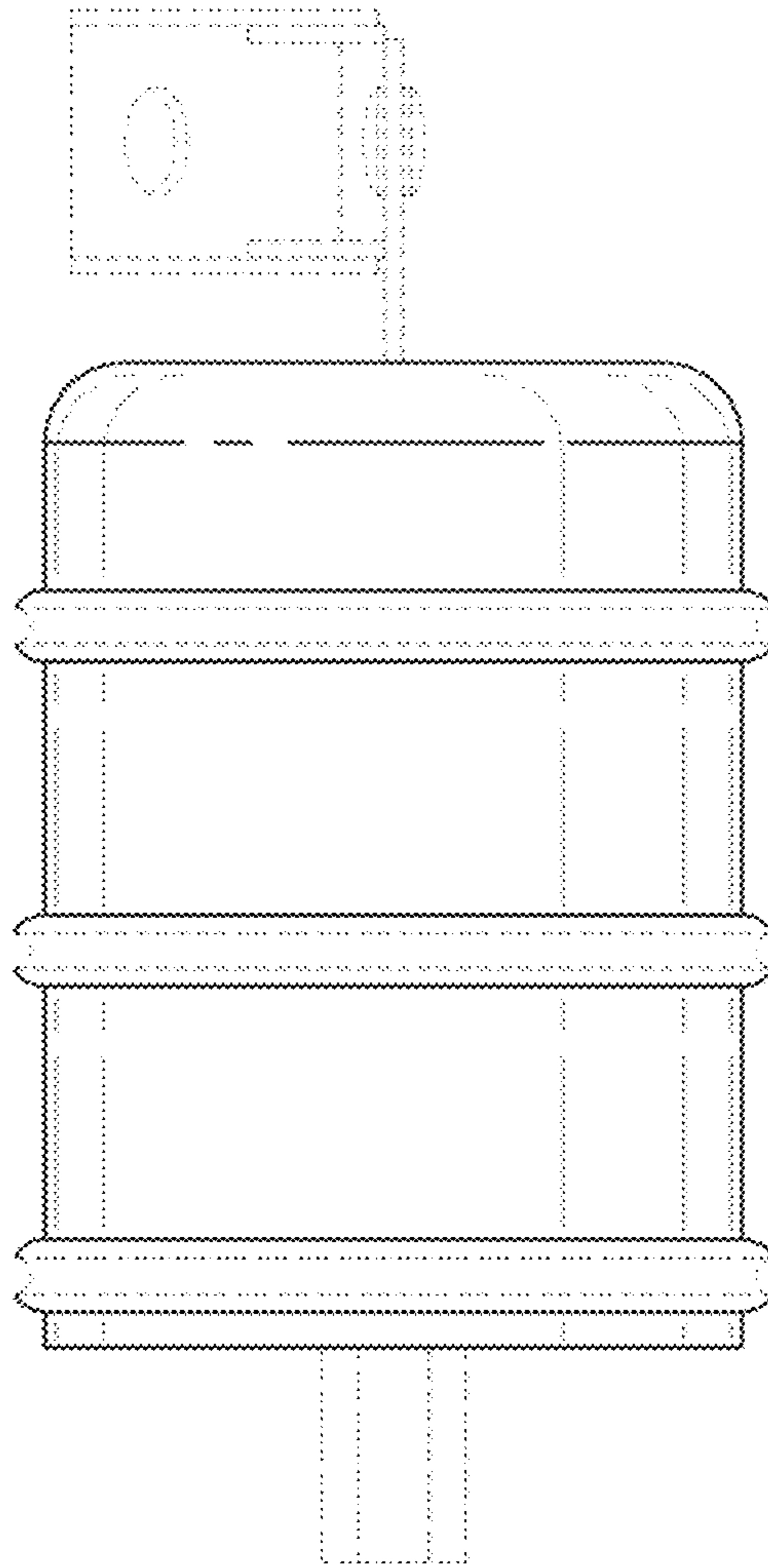


FIG. 5

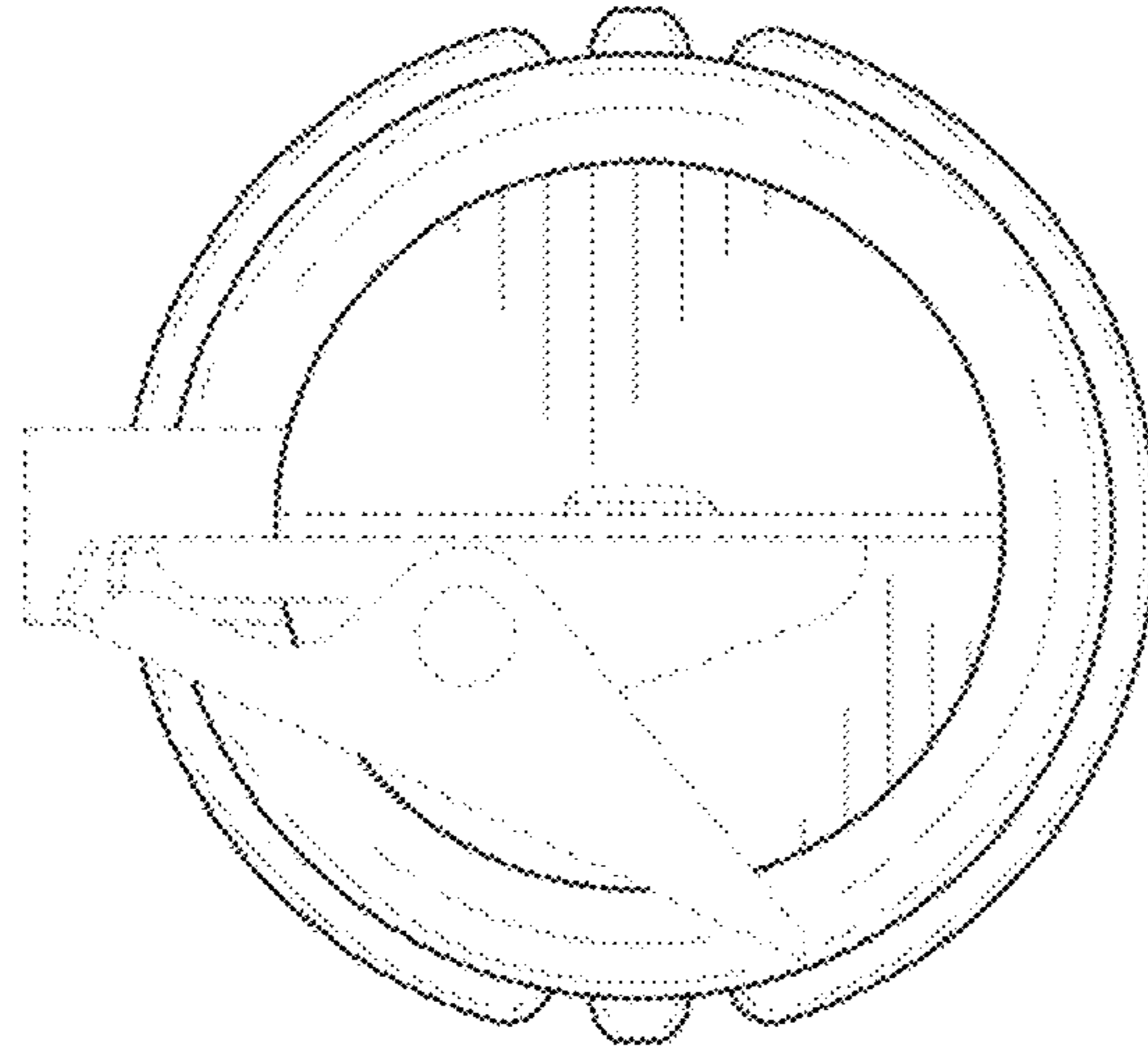


FIG. 6

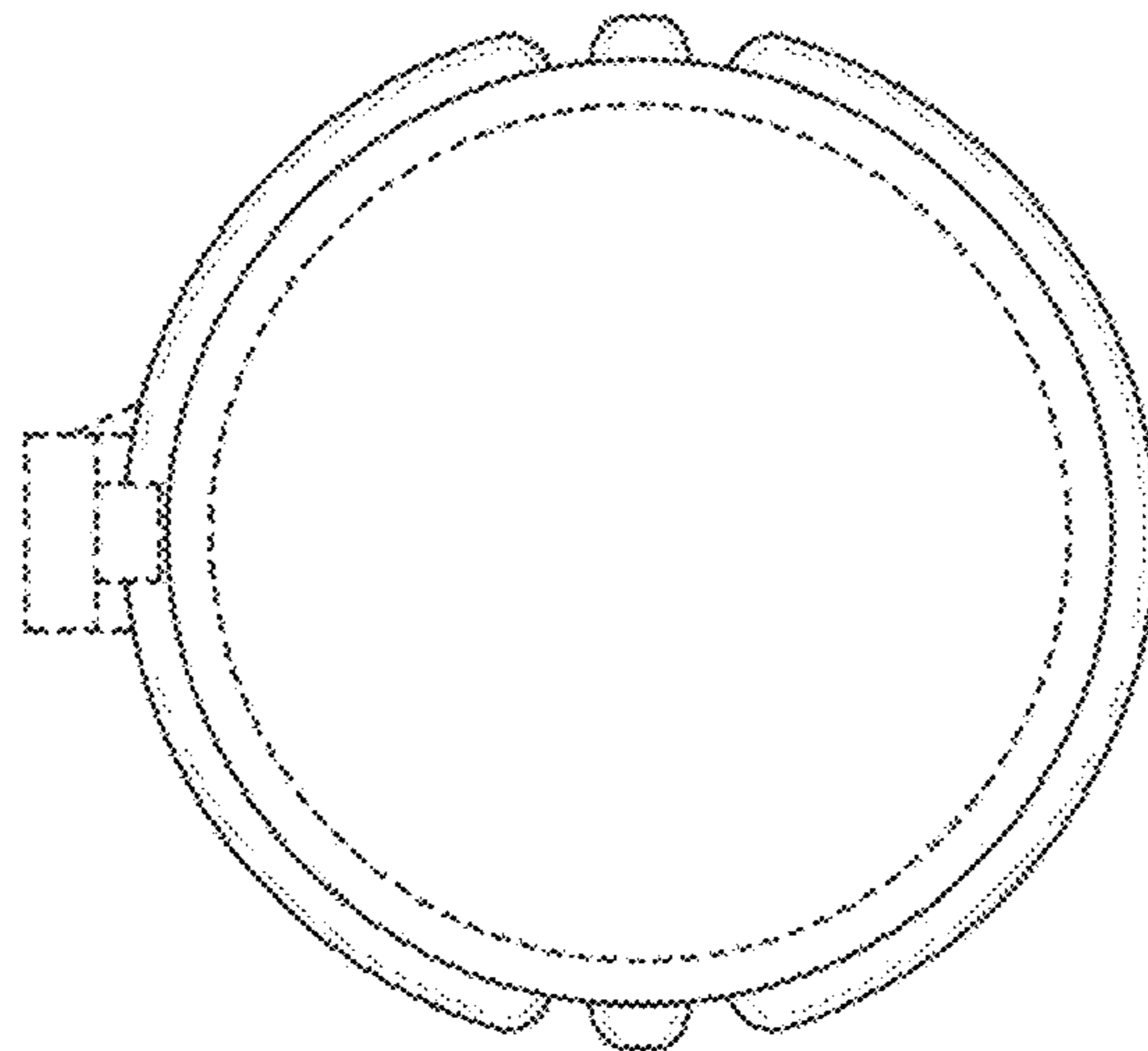


FIG. 7

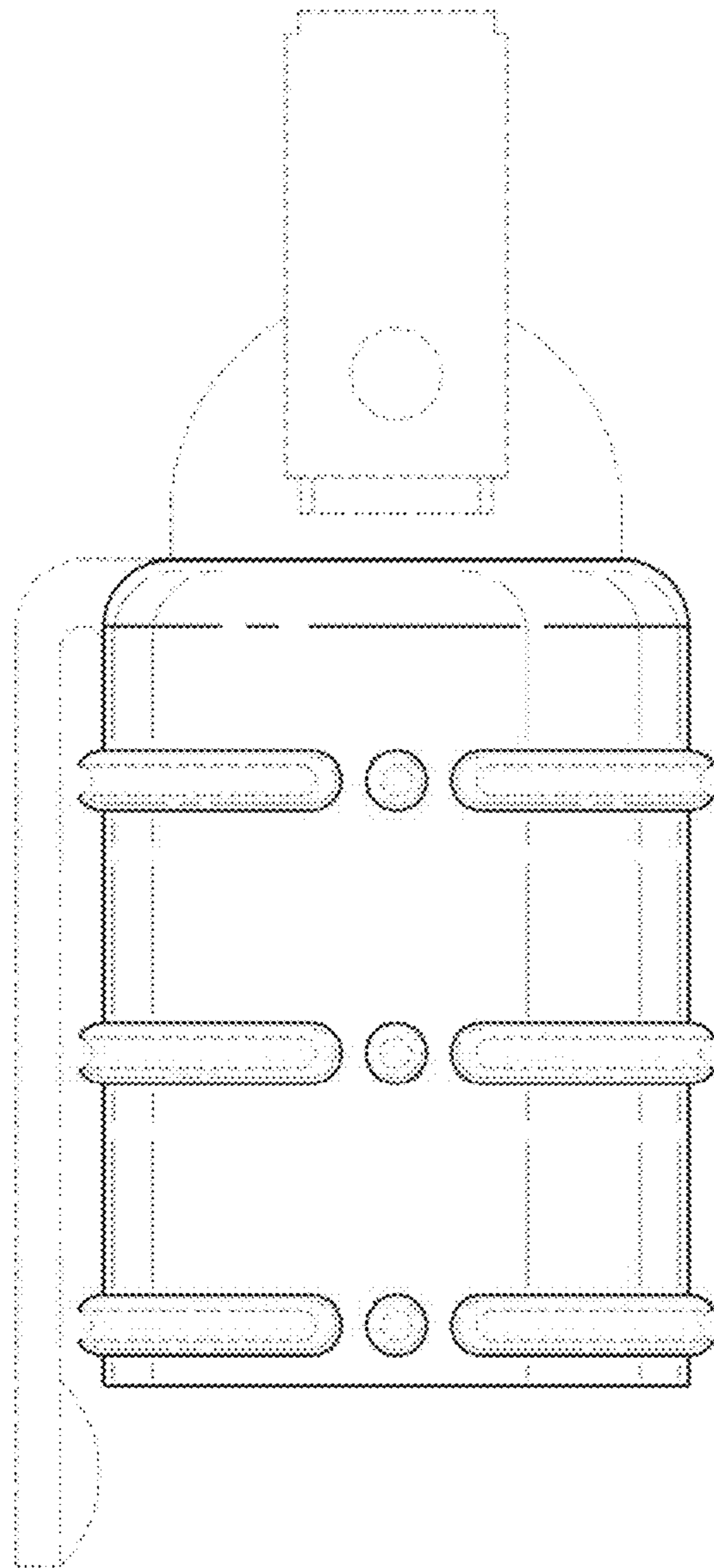


FIG. 8