



US00D893710S

(12) **United States Design Patent** (10) **Patent No.:** **US D893,710 S**  
**Neby** (45) **Date of Patent:** **\*\* Aug. 18, 2020**

(54) **MEDICAL INJECTOR WITH CAP**  
(71) Applicant: **CAREBAY EUROPE LTD**, Sliema (MT)  
(72) Inventor: **Torbjörn Neby**, Hägersten (SE)  
(73) Assignee: **SHL MEDICAL AG**, Zug (CH)  
(\*\*) Term: **15 Years**

D697,205 S \* 1/2014 Schneider ..... D24/113  
D703,314 S \* 4/2014 Schneider ..... D24/113  
D708,317 S \* 7/2014 Schneider ..... D24/113  
D780,909 S \* 3/2017 Burkett ..... D24/113  
D782,035 S \* 3/2017 Bainton ..... D24/113  
D794,178 S \* 8/2017 Daniel ..... A61M 5/2033  
D810,282 S \* 2/2018 Ratjen ..... D24/113  
D814,022 S \* 3/2018 Boyaval ..... D24/113  
D819,198 S \* 5/2018 Boyaval ..... D24/113  
D830,539 S \* 10/2018 Boyaval ..... D24/113  
D842,987 S \* 3/2019 Theobald ..... D24/133

(21) Appl. No.: **29/650,545**  
(22) Filed: **Jun. 7, 2018**

\* cited by examiner

(30) **Foreign Application Priority Data**  
Apr. 17, 2018 (EP) ..... 005237773-0001

*Primary Examiner* — David G Muller  
(74) *Attorney, Agent, or Firm* — McDonnell Boehnen Hulbert & Berghoff LLP

(51) **LOC (12) Cl.** ..... **24-02**  
(52) **U.S. Cl.**  
USPC ..... **D24/114**

(57) **CLAIM**

I claim the ornamental medical injector with cap, as shown and described.

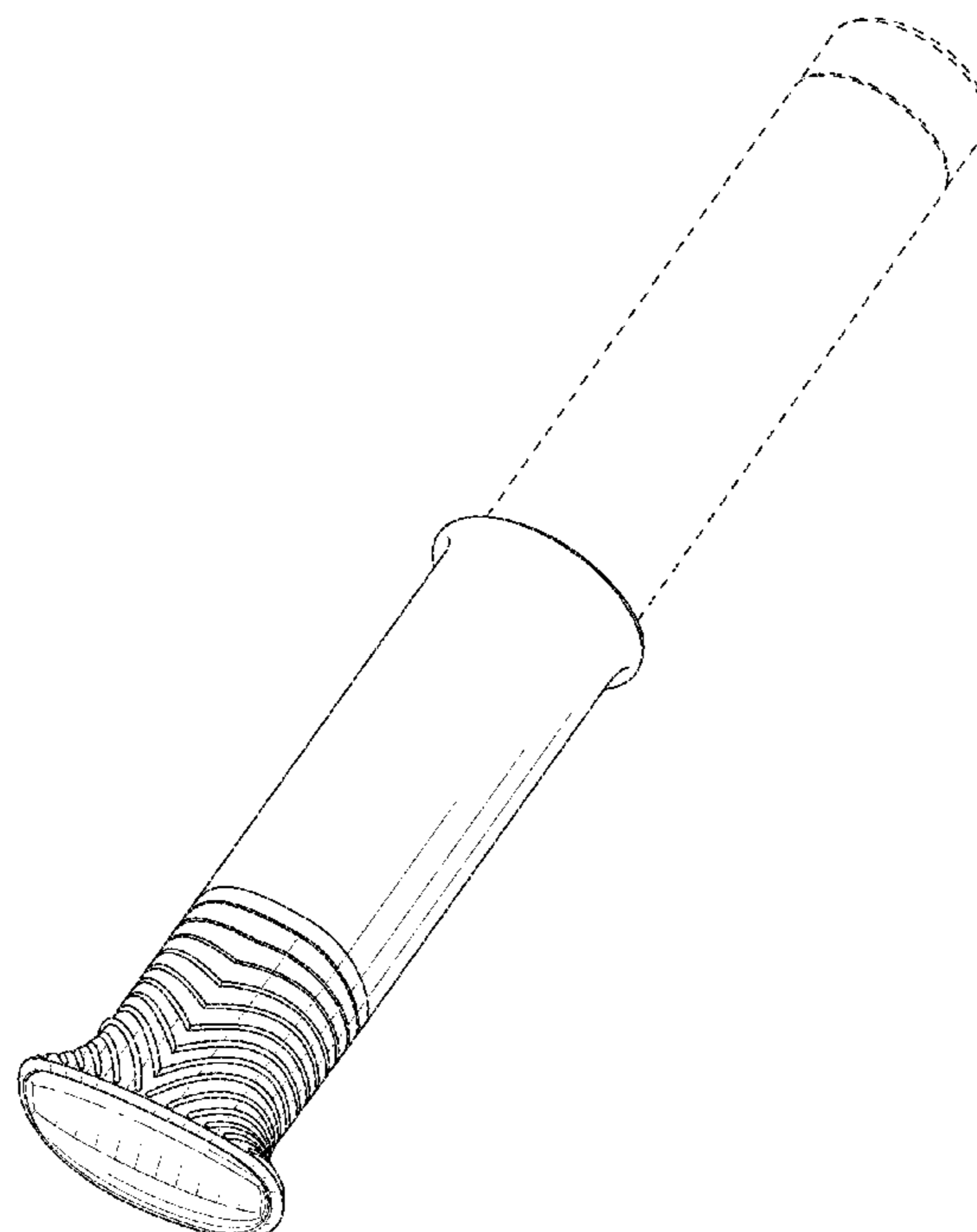
(58) **Field of Classification Search**  
USPC ..... D24/112–114, 108, 130, 127, 133, 186; 606/181, 185; 604/264, 523–528, 272, 604/164.01–164.11, 187, 93.01; 600/101, 600/139, 143; 128/200.24, 207.14, 128/207.15  
CPC .. A61M 25/065; A61M 5/42; A61M 25/0612; A61M 25/00; A61M 39/00; A61M 27/00; A61M 25/0043; A61M 25/0067; A61M 25/0097; A61F 2/958  
See application file for complete search history.

**DESCRIPTION**

FIG. 1 is a perspective view of the housing viewed from the front and left of and above the medical injector;  
FIG. 2 is a top plan view of the cap of the medical injector;  
FIG. 3 is a bottom plan view thereof;  
FIG. 4 is a left side elevation view thereof;  
FIG. 5 is a right side elevation view thereof;  
FIG. 6 is a rear elevation view thereof; and,  
FIG. 7 is a front elevation view thereof.  
The broken line showing is for the purpose of illustrating portions of the article and forms no part of the claimed design. The broken line which defines the bounds of the claimed invention forms no part of the claimed design.

(56) **References Cited**  
U.S. PATENT DOCUMENTS  
D696,397 S \* 12/2013 Guarraia ..... D24/113  
D696,775 S \* 12/2013 Guarraia ..... D24/113

**1 Claim, 4 Drawing Sheets**



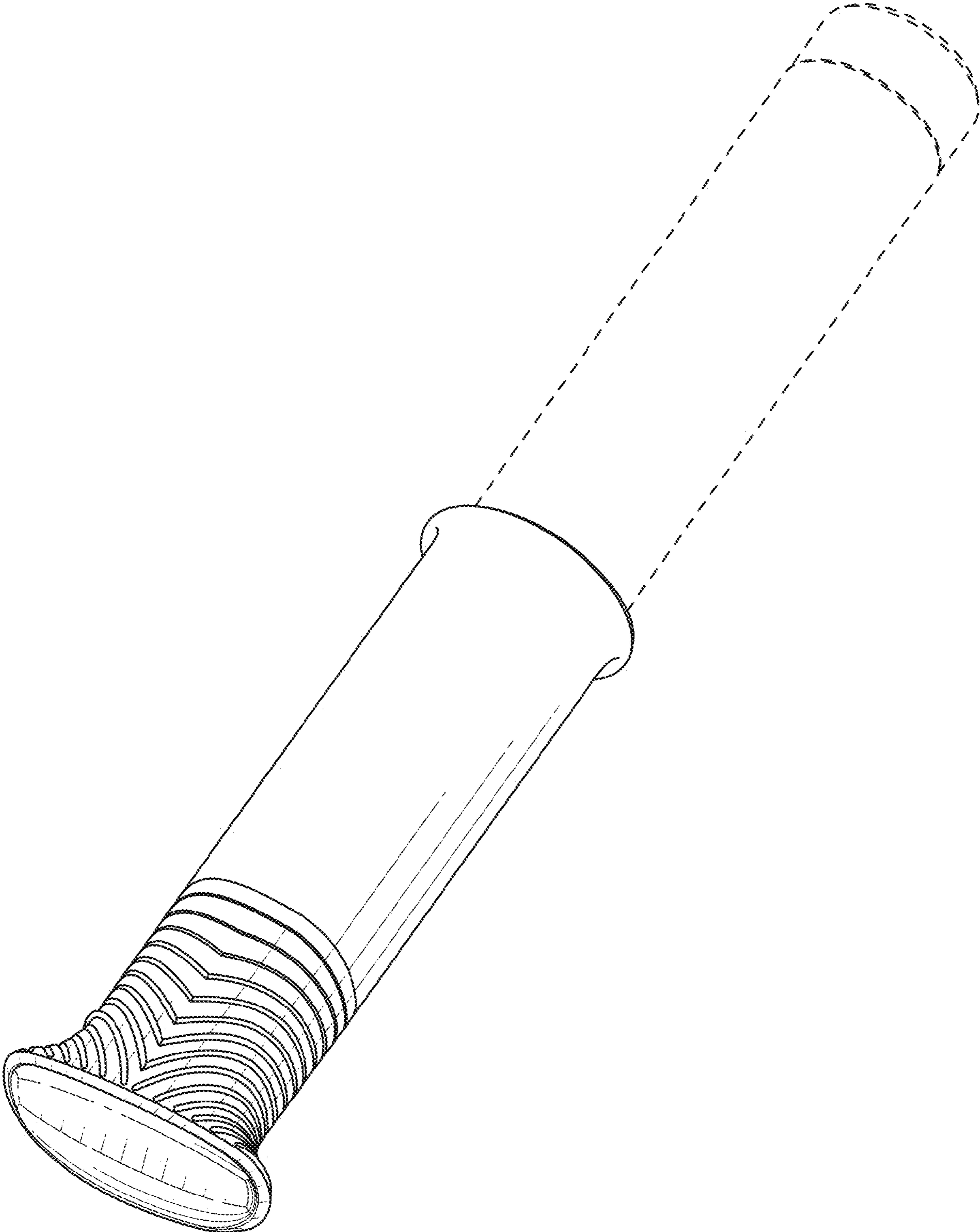


FIG. 1

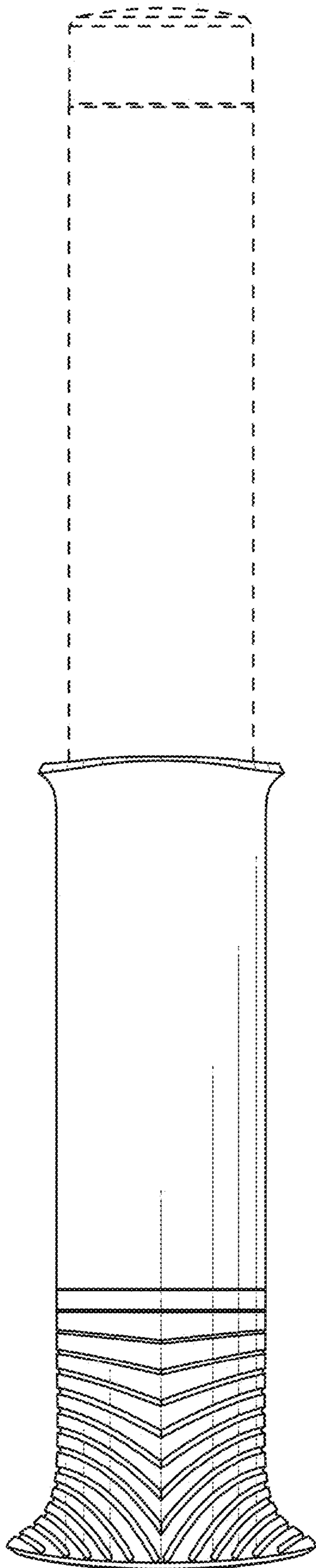


FIG. 2

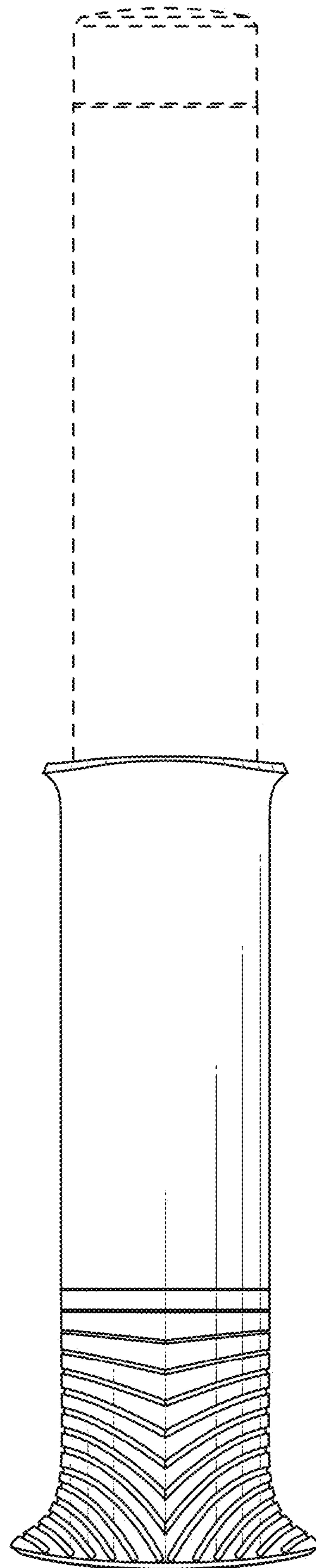


FIG. 3

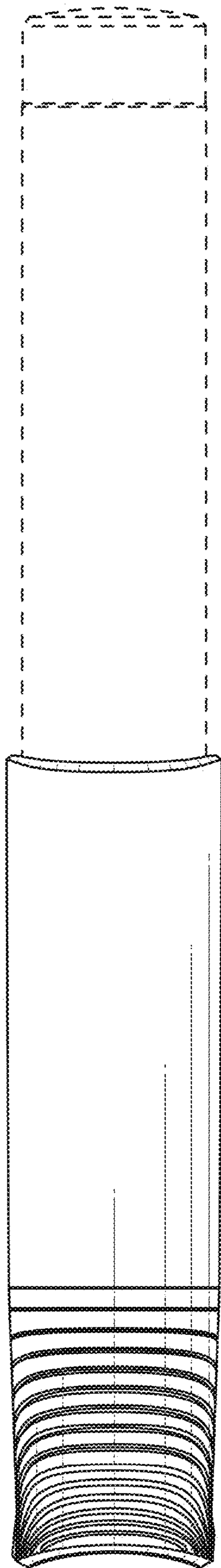


FIG. 4

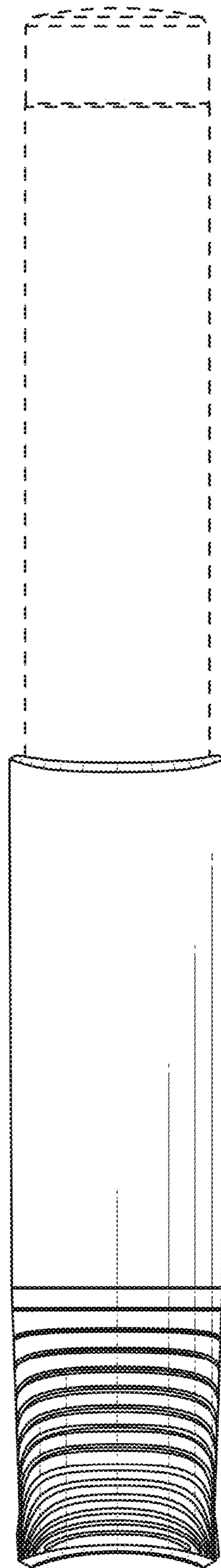


FIG. 5



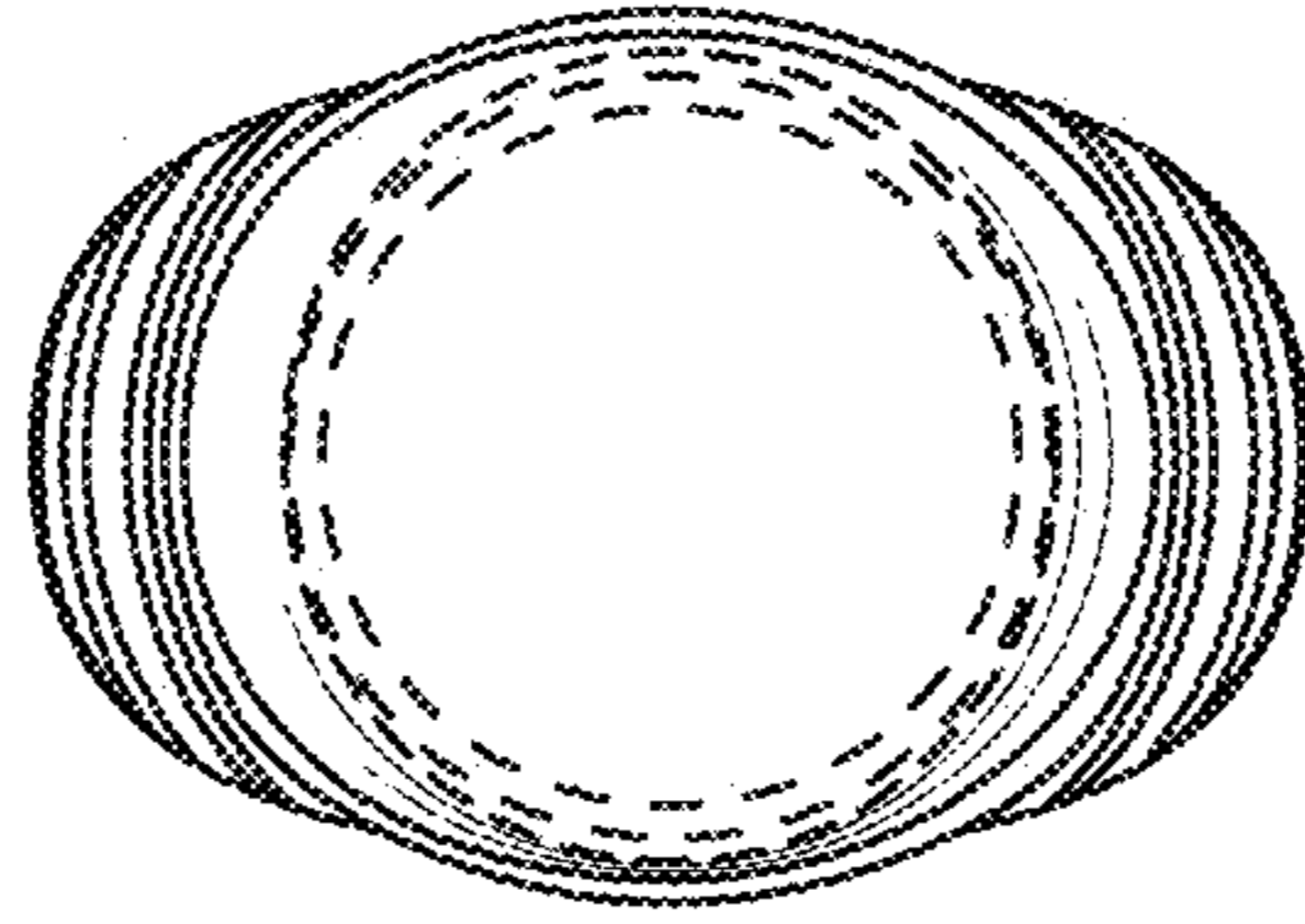


FIG. 6

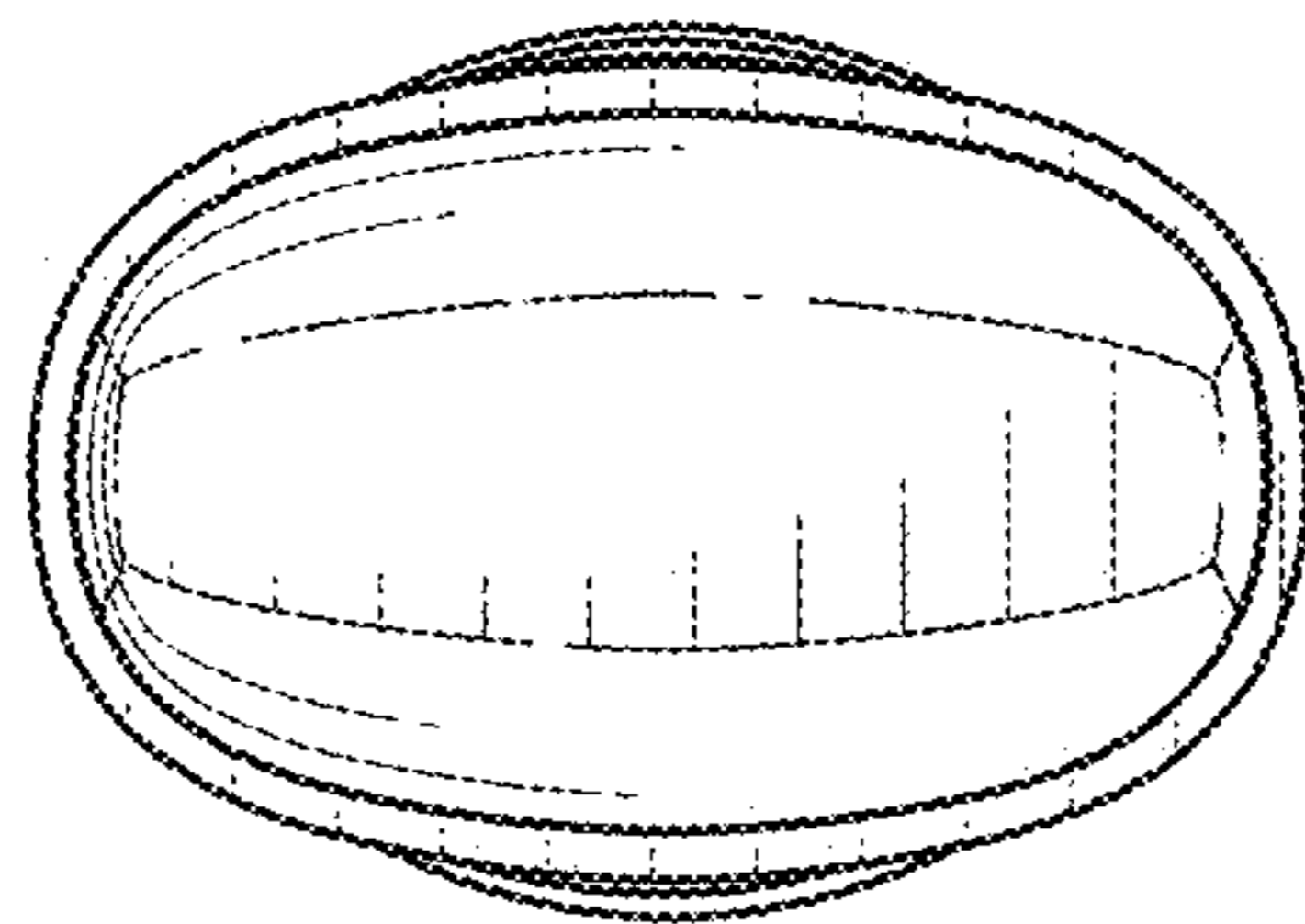


FIG. 7