



US00D893709S

(12) **United States Design Patent**
Girod

(10) **Patent No.:** **US D893,709 S**

(45) **Date of Patent:** **** Aug. 18, 2020**

(54) **MEDICAL DEVICE**

(71) Applicant: **FERTON HOLDING S.A.**, Delemont
(CH)

(72) Inventor: **Jean-Yves Girod**, Gland (CH)

(73) Assignee: **FERTON HOLDING S.A.**, Delemont
(CH)

(**) Term: **15 Years**

(21) Appl. No.: **29/658,658**

(22) Filed: **Aug. 1, 2018**

(30) **Foreign Application Priority Data**

Feb. 2, 2018 (EM) 004692697-0002

(51) **LOC (12) Cl.** **24-02**

(52) **U.S. Cl.**
USPC **D24/113; D24/133; D24/152**

(58) **Field of Classification Search**
USPC D24/107, 113, 128, 129, 133, 140, 152;
D8/29.1, 68, 107, 300, 303, 311;
D23/226

CPC A61C 19/08; A61C 19/004; A61B 1/0052;
A61B 1/00091; A61B 1/00066; A61B
17/16; A61B 17/1622; A61B 17/1626;
A61B 17/1628; B05B 9/00; B05B 9/01

See application file for complete search history.

(56) **References Cited**

U.S. PATENT DOCUMENTS

D363,777 S * 10/1995 Rees D24/113
D388,684 S * 1/1998 Irwin D8/303

D536,444 S * 2/2007 Bacher D24/133
D536,785 S * 2/2007 Bacher D24/133
D545,427 S * 6/2007 Gibson D24/113
D545,428 S * 6/2007 Stammberger D24/113
D777,326 S * 1/2017 Sainsbury D24/133
2006/0052790 A1* 3/2006 Miller A61B 17/3472
606/80

* cited by examiner

Primary Examiner — Wan Laymon

Assistant Examiner — Clint A Samuel

(74) *Attorney, Agent, or Firm* — Arent Fox LLP

(57) **CLAIM**

The ornamental design for a medical device, as shown and described.

DESCRIPTION

FIG. 1 is front right perspective view of a medical device showing my new design;

FIG. 2 is front view of the design shown in FIG. 1;

FIG. 3 is a rear view of the design shown in FIG. 1;

FIG. 4 is a right side view of the design shown in FIG. 1;

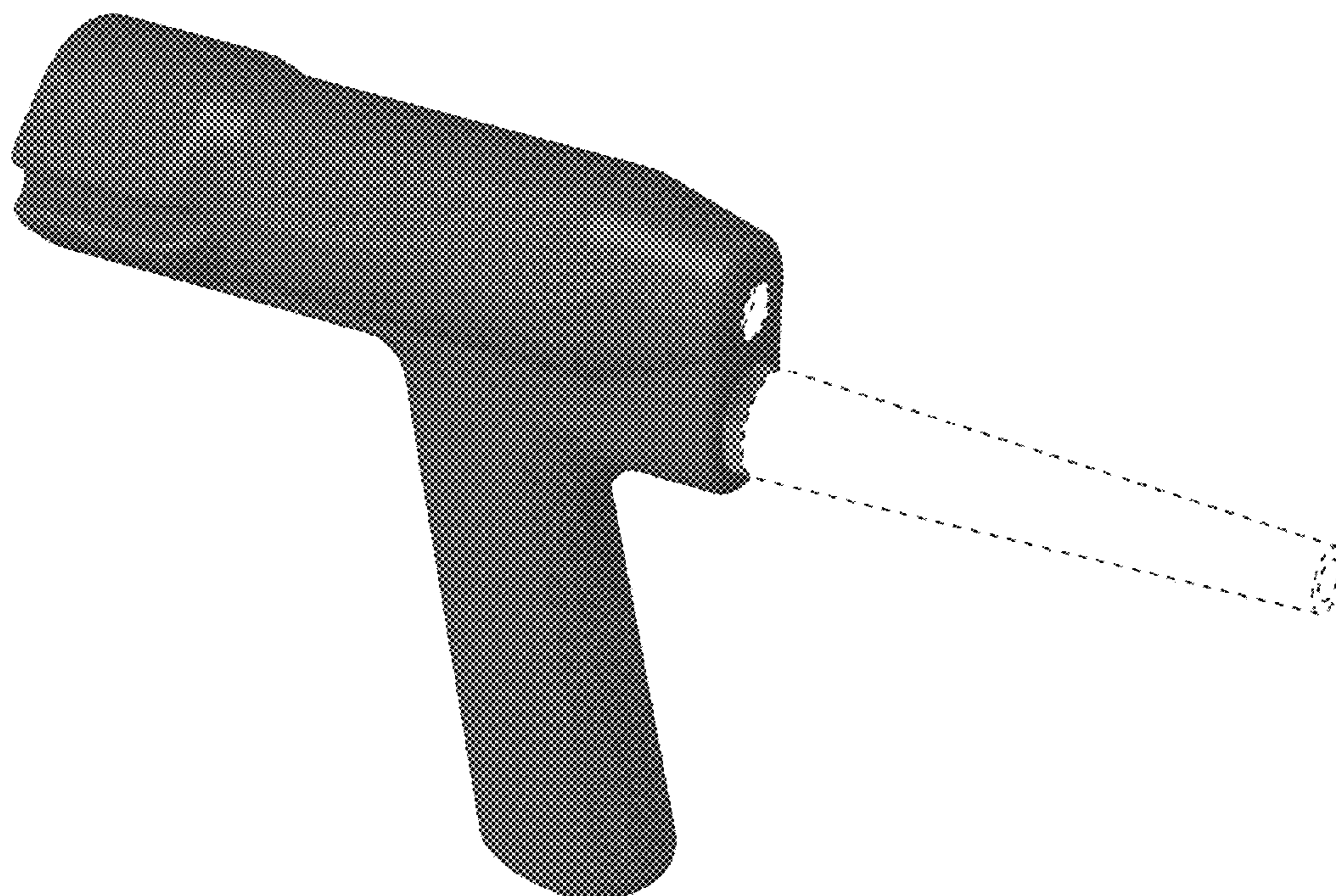
FIG. 5 is a left side view of the design shown in FIG. 1;

FIG. 6 is a bottom view of the design shown in FIG. 1; and,

FIG. 7 is a top view of the design shown in FIG. 1.

The broken lines shown in the figures are included for the purpose of illustrating portions of the medical device and form no part of the claimed design.

1 Claim, 7 Drawing Sheets



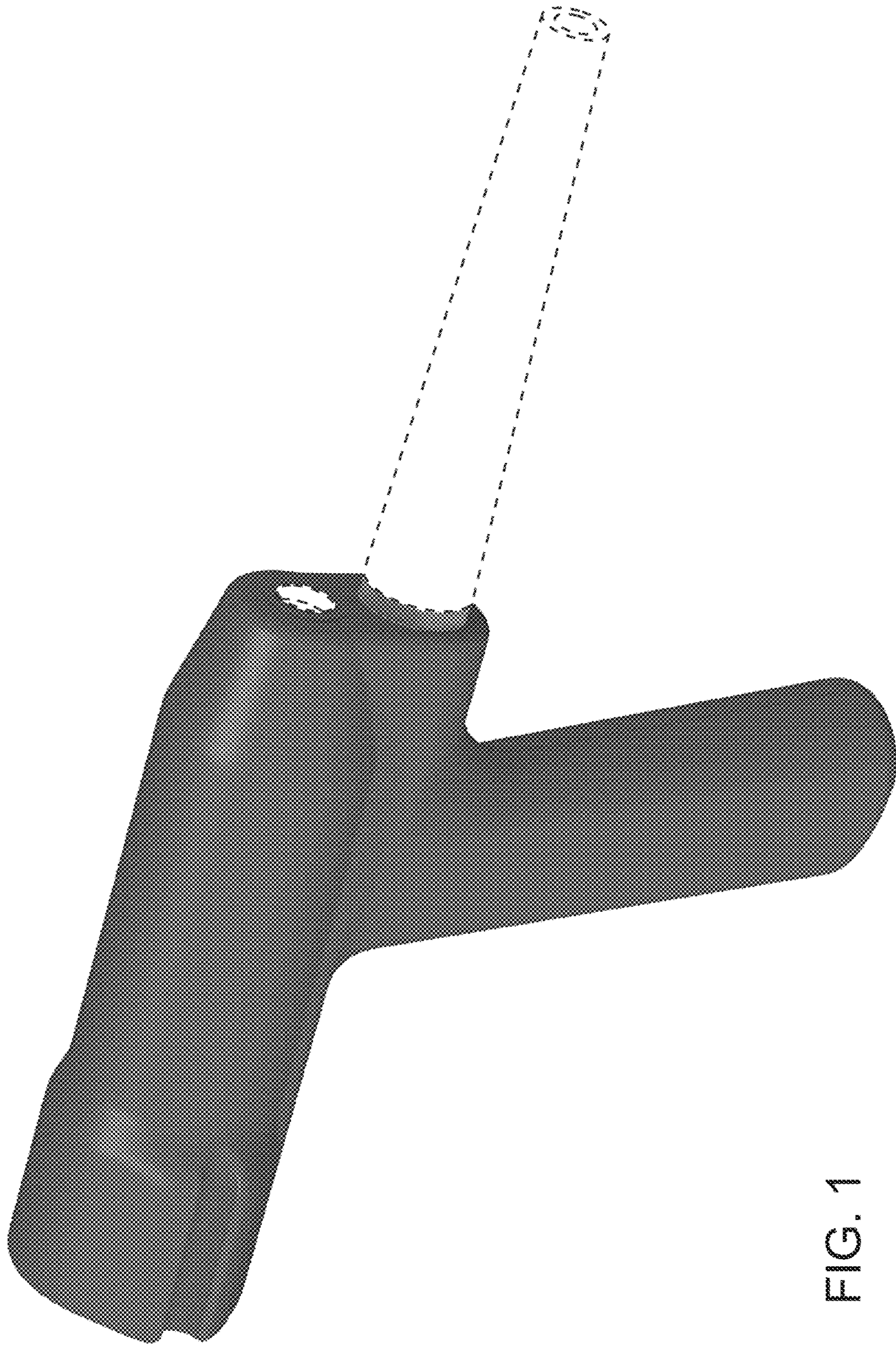


FIG. 1

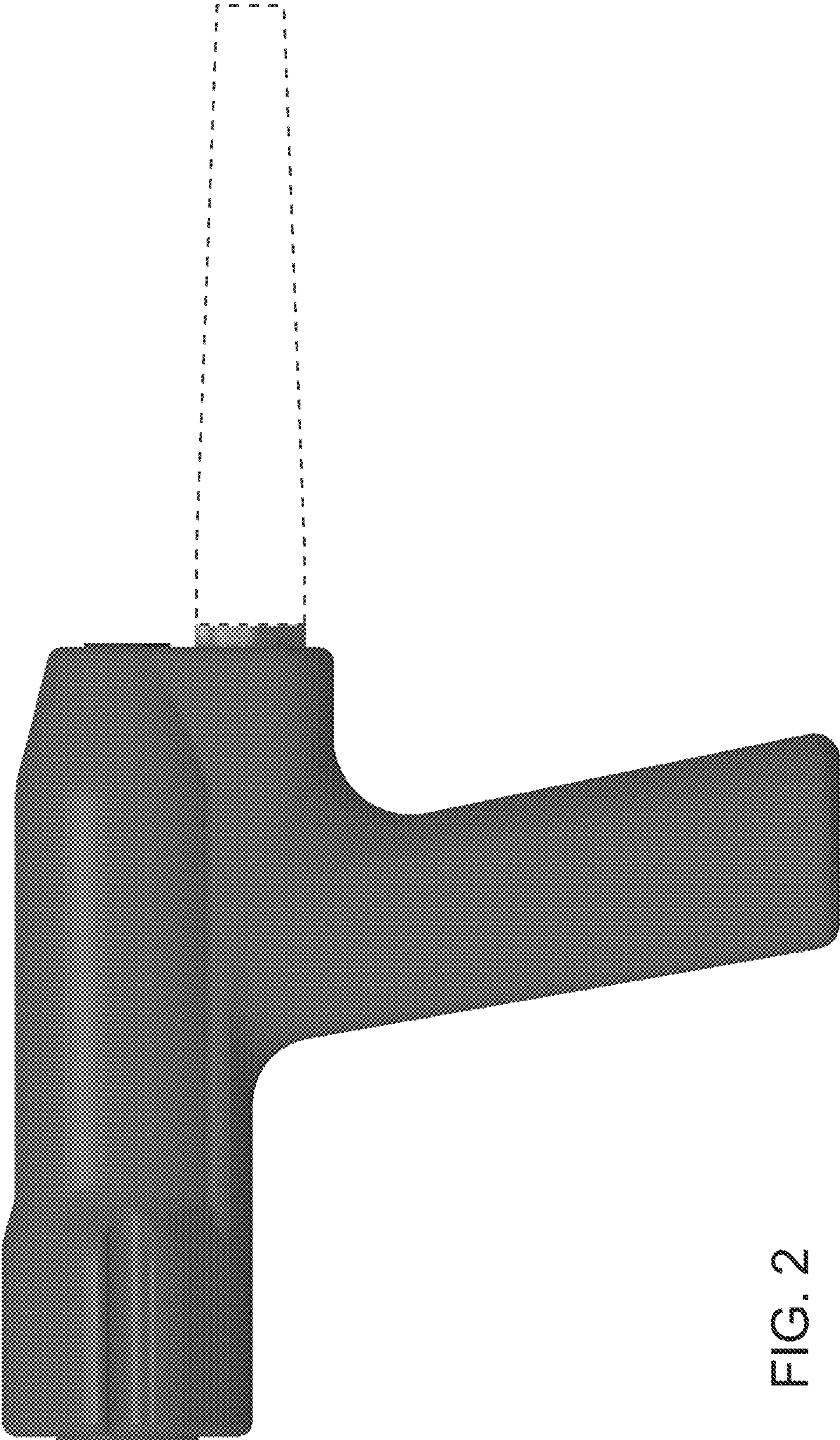


FIG. 2



FIG. 3

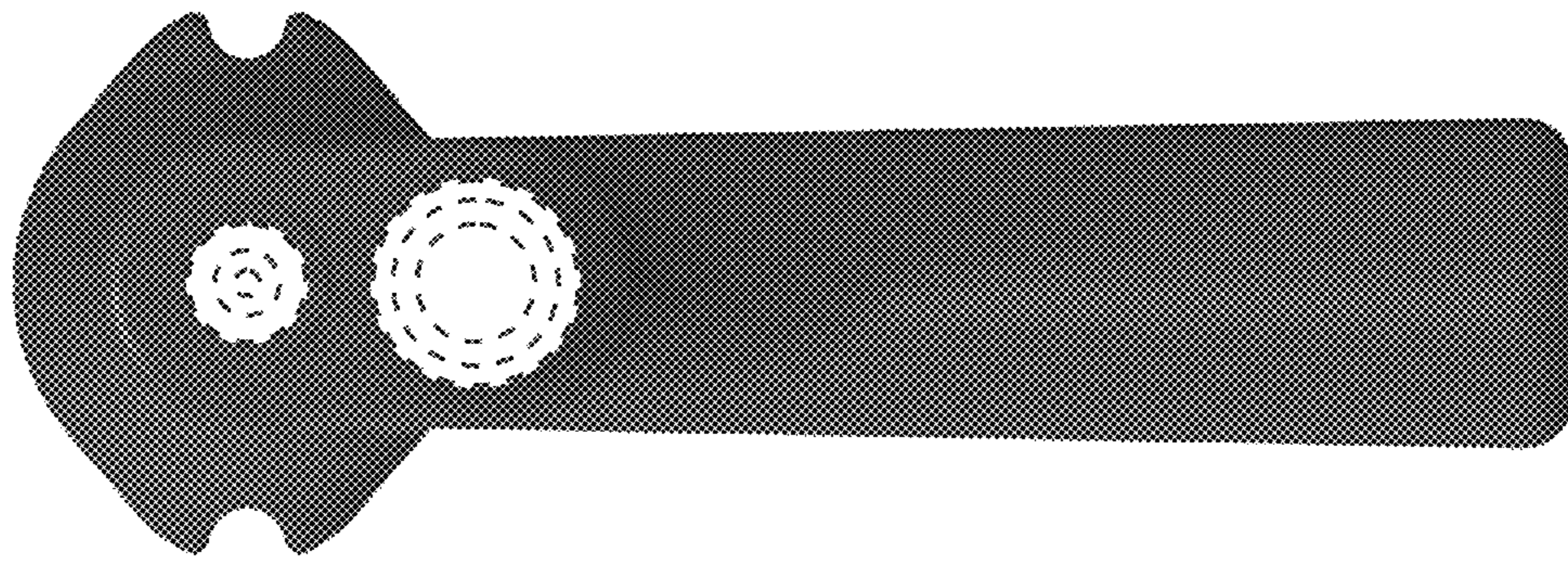


FIG. 4

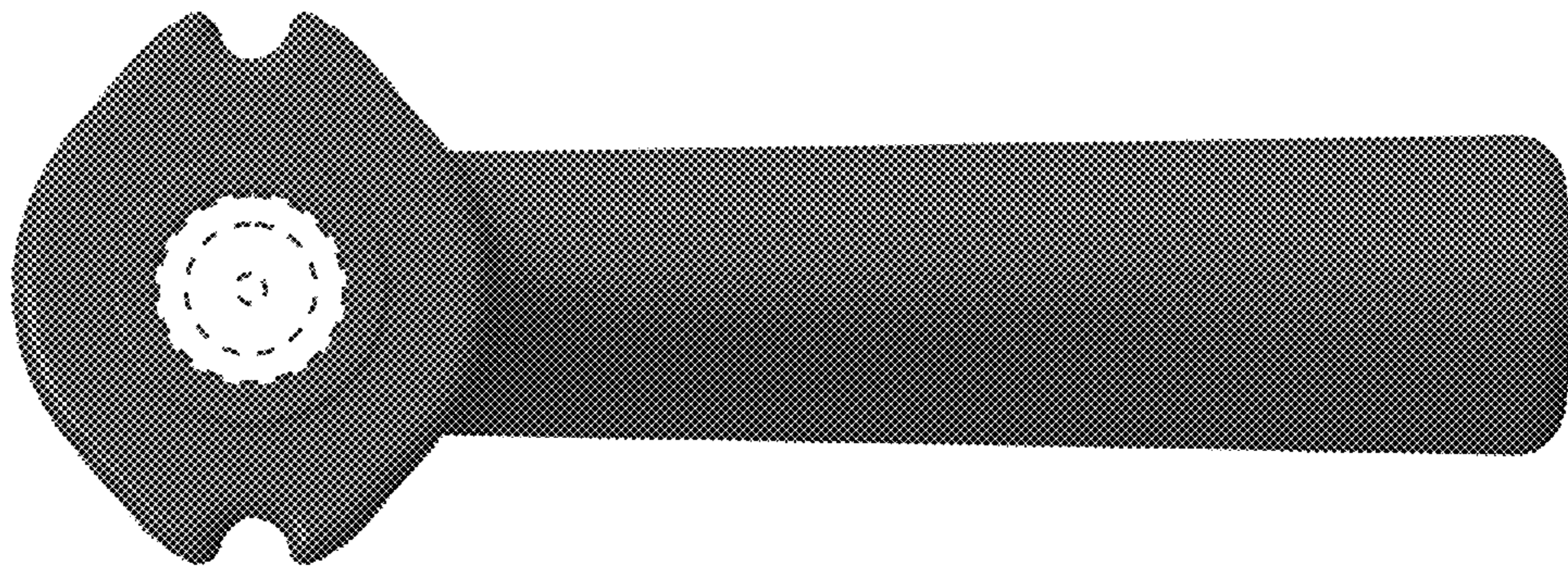


FIG. 5

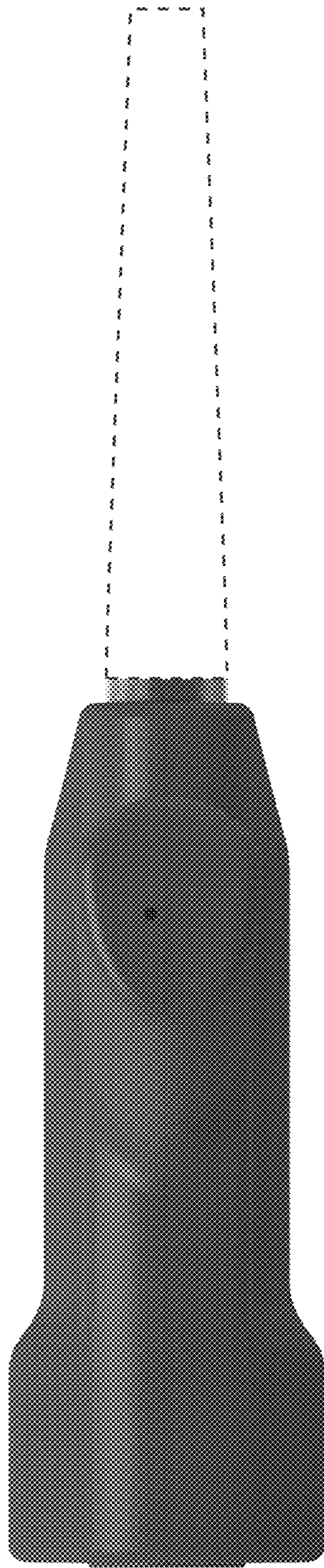


FIG. 6

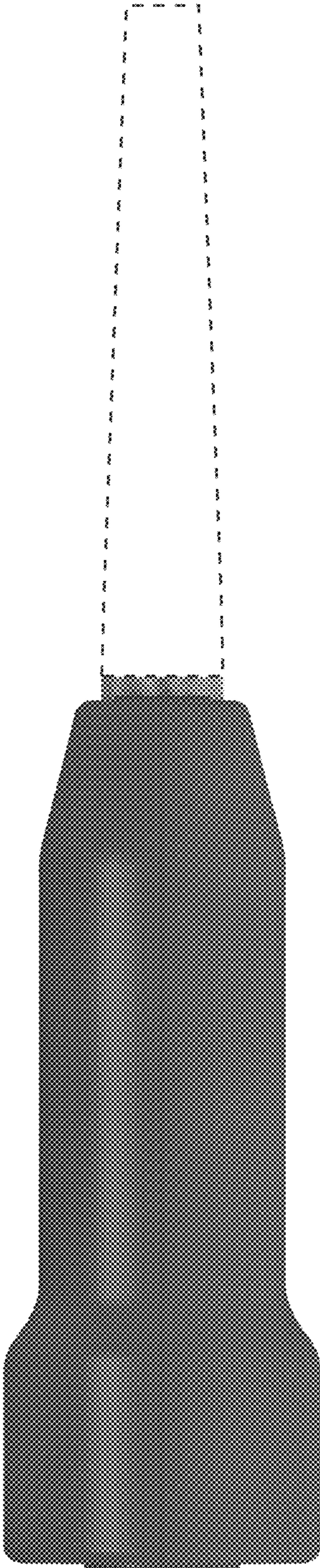


FIG. 7