

US00D893708S

(12) **United States Design Patent**
Trokkel

(10) **Patent No.:** **US D893,708 S**

(45) **Date of Patent:** **** Aug. 18, 2020**

(54) **CANNULA GRIP**

(71) Applicant: **Yan Trokkel**, New York, NY (US)

(72) Inventor: **Yan Trokkel**, New York, NY (US)

(**) Term: **15 Years**

(21) Appl. No.: **29/669,133**

(22) Filed: **Nov. 6, 2018**

(51) **LOC (12) Cl.** **24-02**

(52) **U.S. Cl.**
USPC **D24/112**

(58) **Field of Classification Search**
USPC D24/112-114, 108, 130, 127, 133, 186;
606/181, 185; 604/264, 523-528, 272,
604/164.01-164.11, 187, 93.01; 600/101,
600/139, 143; 128/200.24, 207.14,
128/207.15
CPC .. A61M 25/065; A61M 5/42; A61M 25/0612;
A61M 25/00; A61M 39/00; A61M 27/00;
A61M 25/0043; A61M 25/0067; A61M
25/0097; A61F 2/958
See application file for complete search history.

(56) **References Cited**

U.S. PATENT DOCUMENTS

D578,215 S * 10/2008 Helder D24/128
D616,544 S * 5/2010 Chesnin D24/130

D687,548 S * 8/2013 Hayashi D24/130
D748,774 S * 2/2016 Caron D24/112
D750,775 S * 3/2016 Carrel D24/130
D764,655 S * 8/2016 Klopfer D24/108
D815,737 S * 4/2018 Bergstrom D24/130
D830,524 S * 10/2018 Vranish D23/262
D838,363 S * 1/2019 Katagiri D24/127
D870,883 S * 12/2019 Harding D24/130
10,500,376 B2 * 12/2019 Isaacson A61M 39/00

* cited by examiner

Primary Examiner — David G Muller

(74) *Attorney, Agent, or Firm* — Norris McLaughlin, P.A.

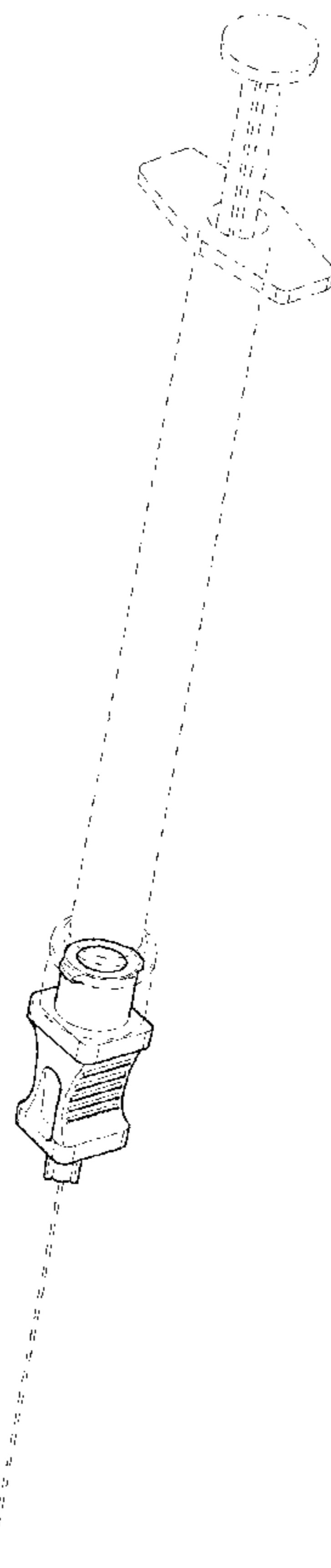
(57) **CLAIM**

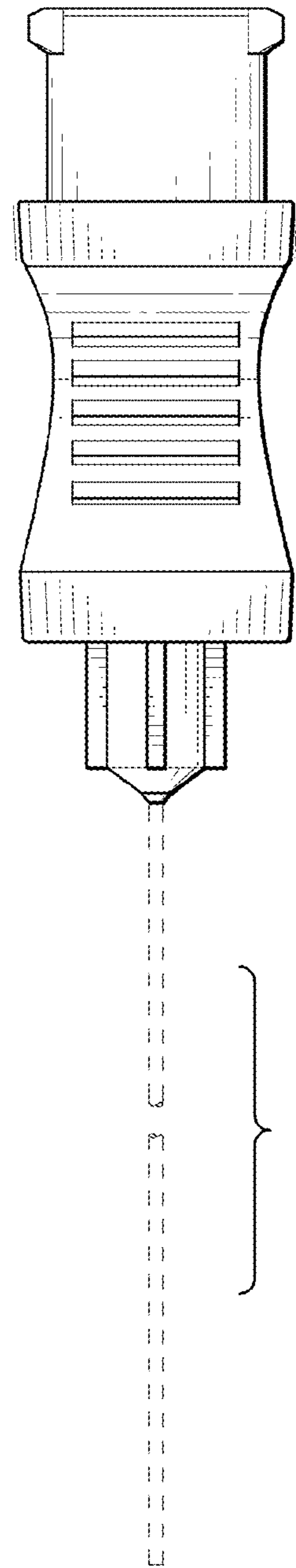
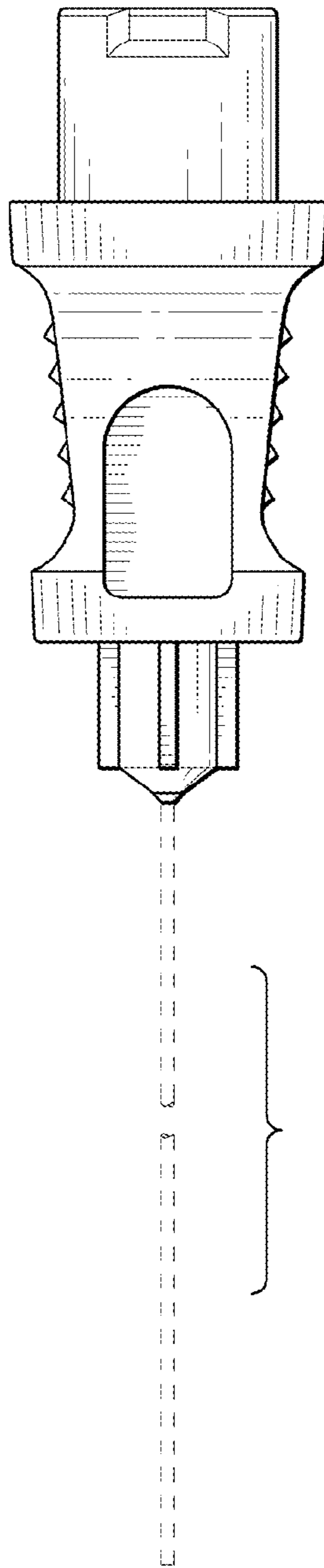
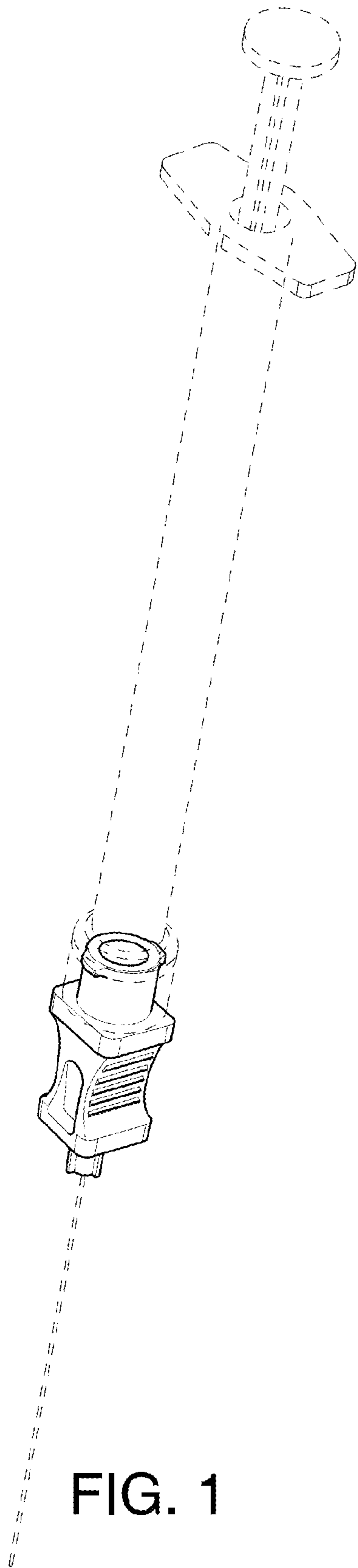
The ornamental design for a cannula grip, as shown and described.

DESCRIPTION

FIG. 1 is a perspective view of a cannula grip showing my new design, with the cannula connected to a syringe;
FIG. 2 is a left side elevation view thereof, a right side elevation view being identical thereto;
FIG. 3 is a front elevation view thereof, a rear elevation view being identical thereto;
FIG. 4 is a top plan view thereof;
FIG. 5 is a bottom plan view thereof; and,
FIG. 6 is another perspective view thereof.
The broken lines are shown for environmental purposes only and form no part of the claimed design.

1 Claim, 2 Drawing Sheets





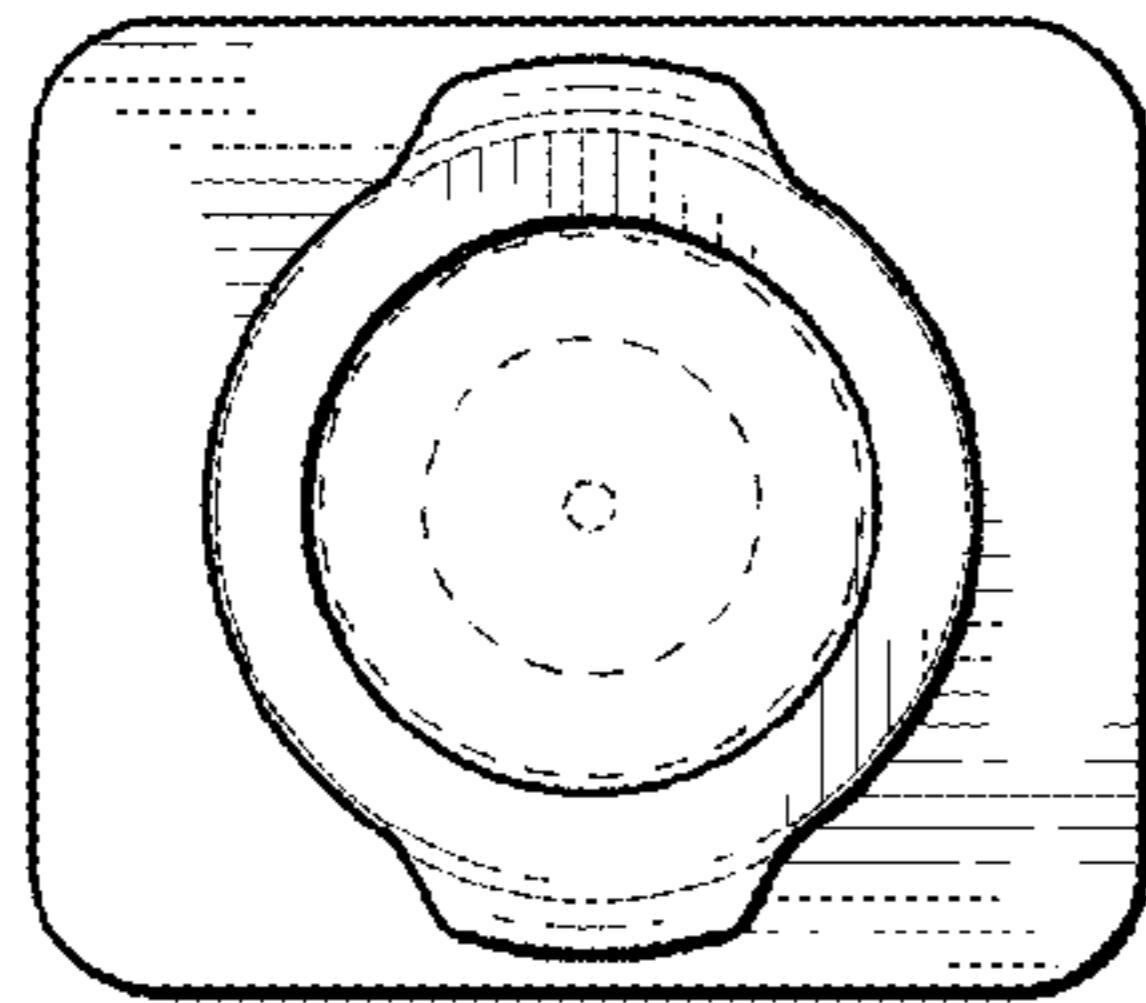


FIG. 4

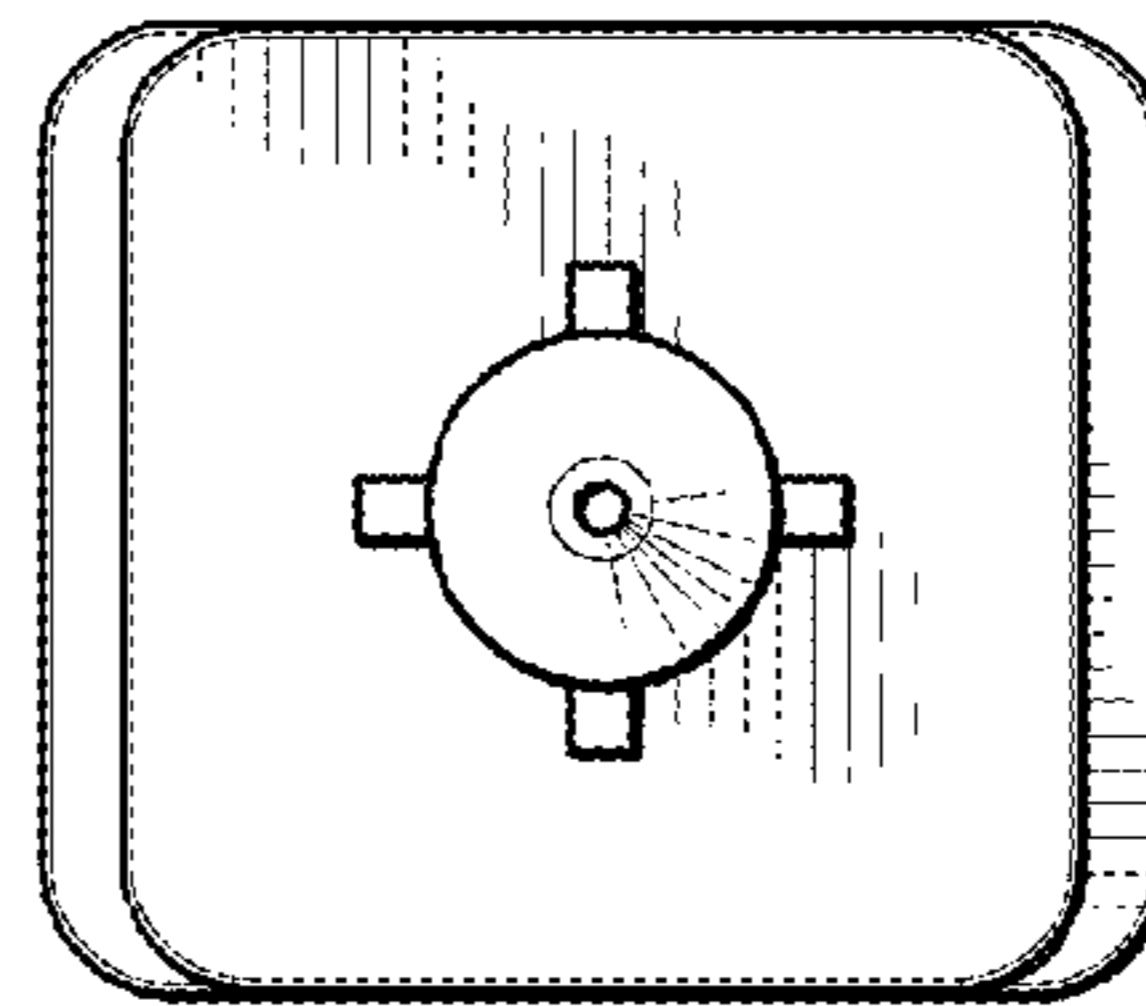


FIG. 5

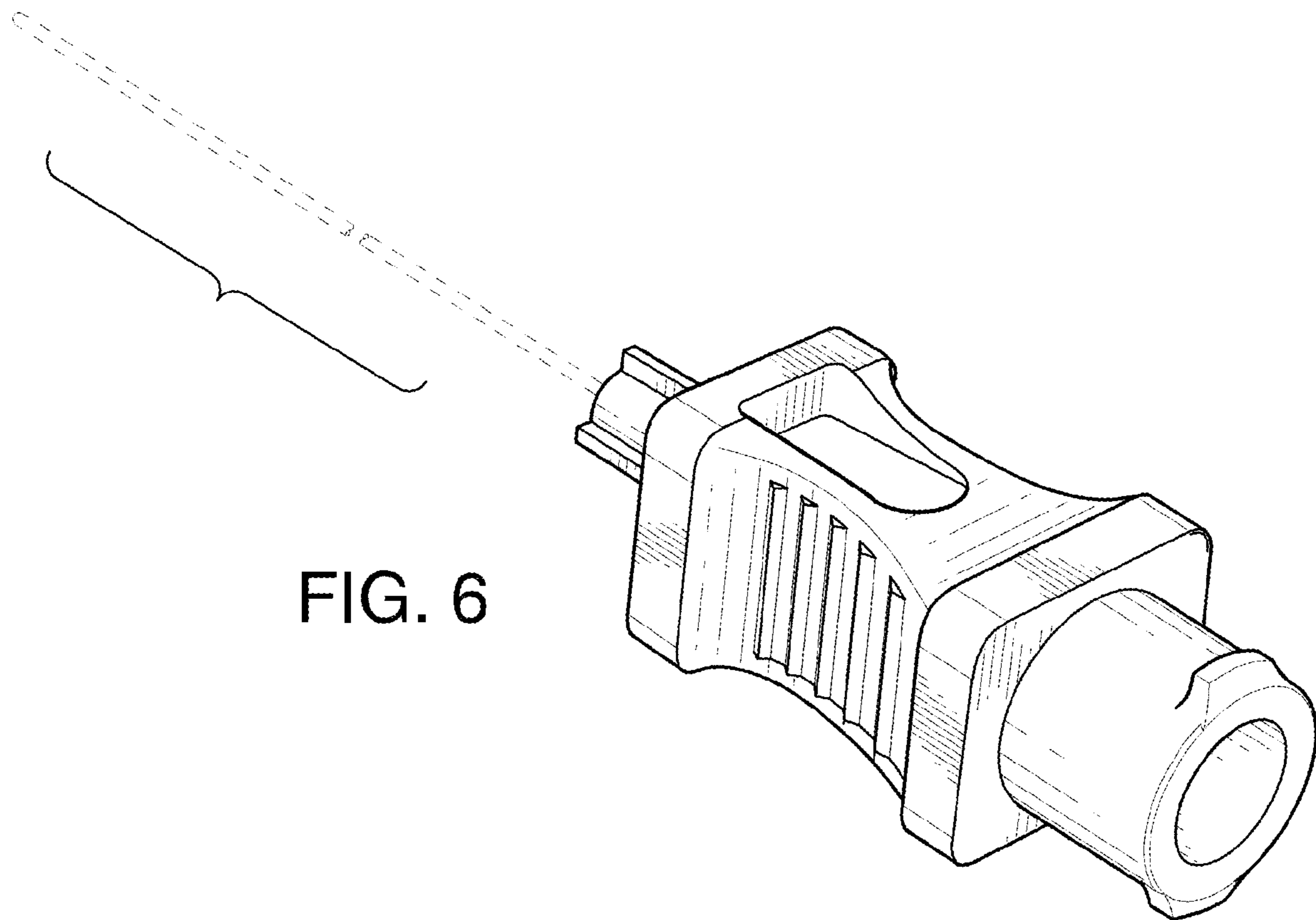


FIG. 6