



US00D893707S

(12) **United States Design Patent** (10) **Patent No.:** **US D893,707 S**  
**Burkholz et al.** (45) **Date of Patent:** **\*\* Aug. 18, 2020**

(54) **INTRAVENOUS CATHETER ASSEMBLY**  
(71) Applicant: **Becton, Dickinson and Company**,  
Franklin Lakes, NJ (US)  
(72) Inventors: **Jonathan Karl Burkholz**, Salt Lake  
City, UT (US); **Ralph L. Sonderegger**,  
Farmington, UT (US); **Bart D.**  
**Peterson**, Farmington, UT (US); **Bin**  
**Wang**, Sandy, UT (US); **Kelvin Chai**,  
Shanghai (CN)

3,589,361 A 6/1971 Loper  
3,827,434 A 8/1974 Thompson et al.  
3,853,127 A 12/1974 Spademan  
3,859,998 A 1/1975 Thomas  
4,003,403 A 1/1977 Nehring  
(Continued)

**FOREIGN PATENT DOCUMENTS**

CN 203852671 10/2014  
CN 102716541 B 3/2016  
(Continued)

(73) Assignee: **Becton, Dickinson and Company**,  
Franklin Lakes, NJ (US)

**OTHER PUBLICATIONS**

Silva, Elson, Email Regarding "Respecting Hydrology Science and  
IP Rights—US Pat. Application No. 20110130728," pp. 1-6 (Jun. 2,  
2011).

(\*\*) Term: **15 Years**

*Primary Examiner* — Sheryl Lane  
*Assistant Examiner* — Calvin E Vansant  
(74) *Attorney, Agent, or Firm* — Kirton & McConkie;  
Craig Metcalf; Kevin Stinger

(21) Appl. No.: **29/667,637**

(22) Filed: **Oct. 23, 2018**

**Related U.S. Application Data**

(63) Continuation of application No. 29/580,127, filed on  
Oct. 5, 2016, now Pat. No. Des. 835,262.

(51) **LOC (12) Cl.** ..... **24-02**

(52) **U.S. Cl.**  
USPC ..... **D24/112; D24/129**

(58) **Field of Classification Search**  
USPC ..... D24/112, 114, 127, 128, 129, 130, 133,  
D24/141, 146, 147; D8/93, 97, 300, 310,  
D8/311  
CPC .. A61M 5/158; A61M 5/1582; A61M 5/3243;  
A61M 2005/1583; A61M 2005/1586;  
A61M 2005/3227; A61M 25/0606; A61M  
25/0612; A61M 25/0631; A61M 25/0637  
See application file for complete search history.

(57) **CLAIM**

The ornamental design for an intravenous catheter assembly,  
as shown and described.

**DESCRIPTION**

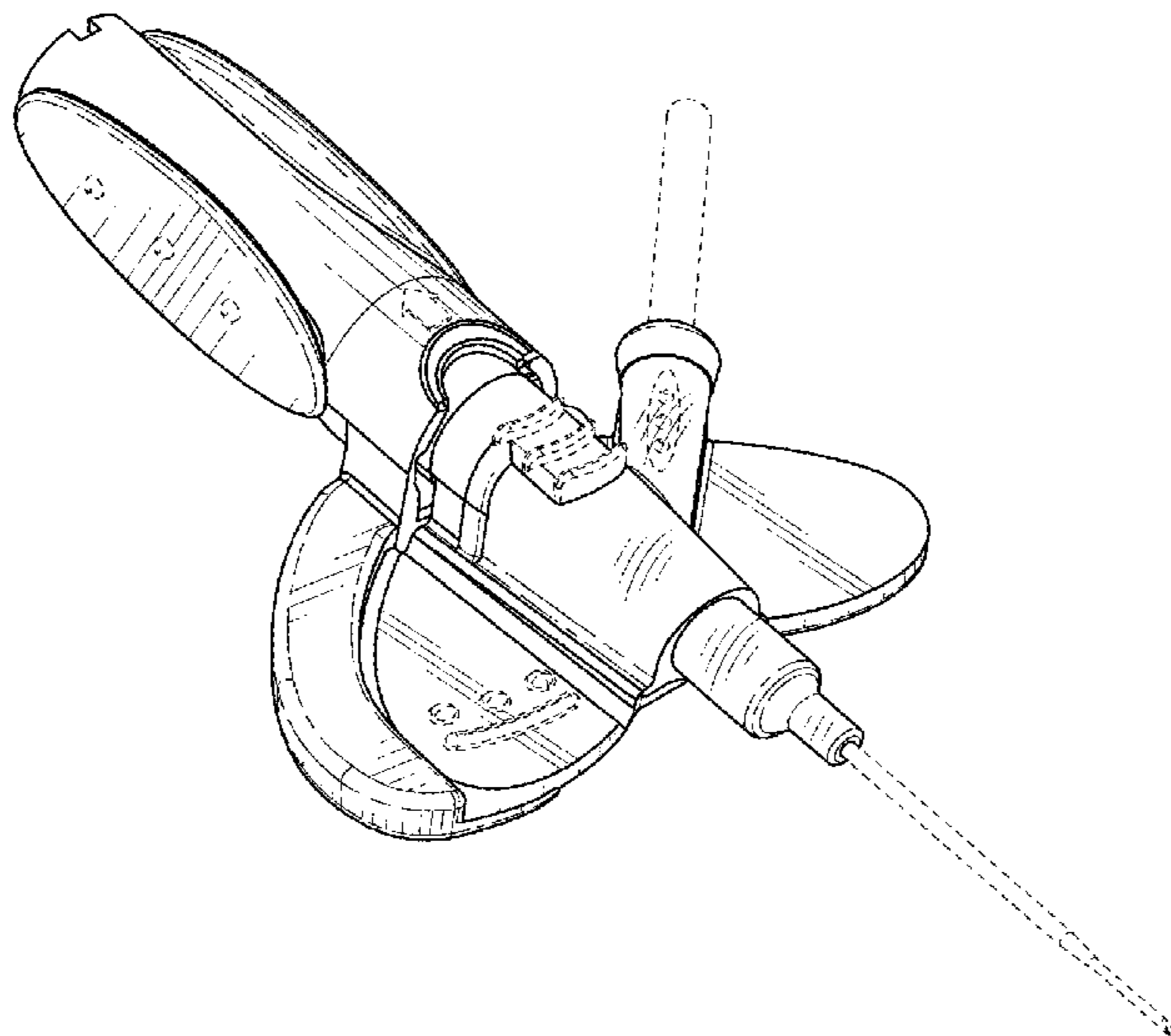
FIG. 1 is a perspective front, top and side view of an  
intravenous catheter assembly.  
FIG. 2 is a perspective front, top and side view thereof.  
FIG. 3 is a front view thereof.  
FIG. 4 is a rear view thereof.  
FIG. 5 is a right side view thereof.  
FIG. 6 is a left side view thereof.  
FIG. 7 is a top view thereof; and,  
FIG. 8 is a bottom view thereof.  
The broken lines represent portions of the intravenous  
catheter assembly that form no part of the claimed design.

(56) **References Cited**

**U.S. PATENT DOCUMENTS**

3,046,984 A 7/1962 Eby  
3,547,119 A 12/1970 Hall

**1 Claim, 6 Drawing Sheets**



(56)

References Cited

U.S. PATENT DOCUMENTS

4,043,346 A	8/1977	Mobley	5,342,315 A	8/1994	Rowe
4,099,528 A	7/1978	Sorenson	5,350,363 A	9/1994	Goode
4,149,539 A	4/1979	Cianci	5,352,205 A	10/1994	Dales
4,172,448 A	10/1979	Brush	5,354,281 A	10/1994	Chen
4,177,809 A	12/1979	Moorehead	5,356,381 A	10/1994	Ensminger
4,193,399 A	3/1980	Robinson	5,368,029 A	11/1994	Holcombe
4,200,096 A	4/1980	Charvin	5,405,323 A	4/1995	Rogers
4,269,186 A	5/1981	Loveless	5,447,501 A	9/1995	Karlsson
4,311,137 A	1/1982	Gerard	5,456,675 A	10/1995	Wolbring
4,317,445 A	3/1982	Robinson	5,458,658 A	10/1995	Sircom
4,326,519 A	4/1982	D'Alo	5,487,728 A	1/1996	Vaillancourt
4,353,369 A	10/1982	Muettterties	5,498,241 A	3/1996	Fabozzi
4,362,156 A	12/1982	Feller, Jr.	5,509,912 A	4/1996	Vaillancourt
4,365,630 A	12/1982	McFarlane	5,520,666 A	5/1996	Choudhury
4,387,879 A	6/1983	Tauschinski	5,542,932 A	8/1996	Daugherty
4,419,094 A	12/1983	Patel	5,549,566 A	8/1996	Elias
4,445,893 A	5/1984	Bodicky	5,549,576 A	8/1996	Patterson
4,449,693 A	5/1984	Gereg	5,549,577 A	8/1996	Siegel
4,496,348 A	1/1985	Genese	5,562,631 A	10/1996	Bogert
4,525,157 A	6/1985	Vaillancourt	5,562,633 A	10/1996	Wozencroft
4,531,935 A	7/1985	Berryessa	5,573,510 A	11/1996	Isaacson
4,682,980 A	7/1987	Suzuki	5,575,769 A	11/1996	Vaillancourt
4,701,162 A	10/1987	Rosenberg	5,575,777 A	11/1996	Cover
4,703,761 A	11/1987	Rathbone	5,584,809 A	12/1996	Gaba
4,758,225 A	7/1988	Cox et al.	5,599,310 A	2/1997	Bogert
4,765,588 A	8/1988	Atkinson	5,601,536 A	2/1997	Crawford
4,772,264 A	9/1988	Cragg	5,613,663 A	3/1997	Schmidt
4,813,939 A	3/1989	Marcus	5,651,772 A	7/1997	Arnett
4,834,708 A	5/1989	Pillari	5,657,963 A	8/1997	Hinchliffe
4,842,591 A	6/1989	Luther	5,676,656 A	10/1997	Brimhall
4,874,377 A	10/1989	Newgard et al.	5,690,612 A	11/1997	Lopez et al.
4,894,052 A	1/1990	Crawford	5,690,619 A	11/1997	Erskine
4,917,668 A	4/1990	Haindl	5,697,907 A	12/1997	Gaba
4,917,671 A	4/1990	Chang	5,697,914 A	12/1997	Brimhall
4,925,444 A	5/1990	Orkin et al.	5,697,915 A	12/1997	Lynn
4,935,010 A	6/1990	Cox	5,699,821 A	12/1997	Paradis
4,950,257 A	8/1990	Hibbs et al.	5,700,244 A	12/1997	Kriesel
4,966,586 A	10/1990	Vaillancourt	5,700,250 A	12/1997	Erskine
D315,822 S	3/1991	Ryan	5,704,919 A	1/1998	Kraus
5,032,116 A	7/1991	Peterson	5,718,688 A	2/1998	Wozencroft
5,041,097 A	8/1991	Johnson	5,730,123 A	3/1998	Lorenzen
5,053,014 A *	10/1991	Van Heugten ..... A61M 39/26 604/167.03	5,738,144 A	4/1998	Rogers
5,057,087 A	10/1991	Harmon	5,749,856 A	5/1998	Zadini
5,059,186 A	10/1991	Yamamoto	5,749,861 A	5/1998	Guala
5,062,836 A	11/1991	Wendell	5,772,636 A	6/1998	Brimhall et al.
5,064,416 A	11/1991	Newgard	5,800,399 A	9/1998	Bogert et al.
5,084,023 A	1/1992	Lemieux	5,806,831 A	9/1998	Paradis
5,085,645 A	2/1992	Purdy et al.	5,810,780 A	9/1998	Brimhall
5,108,374 A	4/1992	Lemieux	5,817,069 A	10/1998	Arnett
5,127,905 A	7/1992	Lemieux	5,843,046 A	12/1998	Motisi et al.
5,135,504 A	8/1992	McLees	5,853,393 A	12/1998	Bogert
5,154,703 A	10/1992	Bonaldo	5,882,345 A	3/1999	Yoon
5,156,596 A	10/1992	Balbierz	5,911,710 A	6/1999	Barry et al.
5,176,653 A	1/1993	Metals	5,935,109 A	8/1999	Donnan
5,176,662 A	1/1993	Bartholomew	5,935,110 A	8/1999	Brimhall
5,201,717 A	4/1993	Wyatt	5,947,932 A	9/1999	Desecki
5,211,634 A	5/1993	Vaillancourt	5,954,698 A	9/1999	Pike
5,215,525 A	6/1993	Sturman	5,961,497 A	10/1999	Larkin
5,215,528 A	6/1993	Purdy	5,967,490 A	10/1999	Pike
5,215,529 A	6/1993	Fields	6,039,302 A	3/2000	Cote, Sr. et al.
5,226,883 A	7/1993	Katsaros	6,056,726 A	5/2000	Isaacson
5,234,410 A	8/1993	Graham	6,077,244 A	6/2000	Botich
5,242,411 A	9/1993	Yamamoto	6,117,108 A	9/2000	Woehr et al.
5,254,097 A	10/1993	Schock	6,142,981 A	11/2000	Heck
5,267,971 A	12/1993	Brimhall	6,156,010 A	12/2000	Kuracina et al.
5,269,764 A	12/1993	Vetter et al.	6,171,287 B1	1/2001	Lynn et al.
5,273,546 A	12/1993	McLaughlin	6,206,851 B1	3/2001	Prosl
5,290,222 A	3/1994	Feng	6,221,047 B1	4/2001	Greene
5,290,246 A	3/1994	Yamamoto	6,224,569 B1	5/2001	Brimhall
5,295,969 A	3/1994	Fischell	6,273,869 B1	8/2001	Vainancourt
5,306,243 A	4/1994	Bonaldo	6,287,278 B1	9/2001	Woehr
5,312,359 A	5/1994	Wallace	D451,599 S	12/2001	Crawford et al.
5,328,482 A	7/1994	Sircom	D451,600 S	12/2001	Crawford et al.
5,330,435 A	7/1994	Vaillancourt	6,379,332 B1	4/2002	Van Landuyt
			D458,678 S	6/2002	Cindrach
			D458,994 S	6/2002	Cindrach
			6,440,119 B1	8/2002	Nakada et al.
			6,461,362 B1	10/2002	Halseth
			6,485,473 B1	11/2002	Lynn

(56)

References Cited

U.S. PATENT DOCUMENTS

6,497,994 B1 12/2002 Kafrawy  
 6,506,181 B2 1/2003 Meng  
 D469,870 S 2/2003 Niermann et al.  
 6,565,542 B2 5/2003 Kumar  
 6,575,960 B2 6/2003 Becker et al.  
 6,595,954 B1 7/2003 Luther  
 6,595,981 B2 7/2003 Huet  
 6,616,630 B1 9/2003 Woehr  
 6,652,486 B2 11/2003 Bialecki  
 6,663,592 B2 12/2003 Rhad  
 6,689,102 B2 2/2004 Greene  
 6,695,814 B2 2/2004 Greene  
 6,709,419 B2 3/2004 Woehr  
 D491,266 S 6/2004 Cindrich et al.  
 D492,031 S 6/2004 Cindrich et al.  
 6,749,588 B1 6/2004 Howell  
 D492,774 S 7/2004 Cindrich et al.  
 6,837,884 B2 1/2005 Woloszko  
 D592,302 S 5/2009 Stokes et al.  
 7,670,317 B2 3/2010 Cindrich et al.  
 7,694,403 B2 4/2010 Moulton  
 7,736,339 B2 6/2010 Woehr et al.  
 7,905,856 B2 3/2011 McGuckin, Jr. et al.  
 7,914,494 B2 3/2011 Hiejima  
 8,066,670 B2 11/2011 Cluff  
 8,066,675 B2 11/2011 Cindrich  
 8,070,725 B2 12/2011 Christensen  
 8,357,119 B2 1/2013 Stout et al.  
 8,361,020 B2 1/2013 Stout et al.  
 8,388,583 B2 3/2013 Stout et al.  
 8,574,203 B2 11/2013 Stout et al.  
 8,679,063 B2 3/2014 Stout et al.  
 D713,522 S 9/2014 Woehr et al.  
 D819,802 S \* 6/2018 Burkholz ..... D24/112  
 D835,262 S \* 12/2018 Burkholz ..... A61B 5/062  
 D24/112  
 D837,368 S \* 1/2019 Burkholz ..... A61M 39/26  
 D24/129  
 2002/0082546 A1 6/2002 Crank et al.  
 2002/0177814 A1 11/2002 Meng  
 2005/0277879 A1 12/2005 Daga  
 2007/0093778 A1 4/2007 Cindrich et al.  
 2007/0225648 A1 9/2007 Winsor et al.  
 2008/0167577 A1 7/2008 Weilbacher et al.  
 2009/0054845 A1 2/2009 Puhasmagi  
 2009/0287189 A1 11/2009 Suwito

2010/0280455 A1 11/2010 Ogawa et al.  
 2011/0054403 A1 3/2011 Tanabe et al.  
 2013/0218082 A1 8/2013 Hyer et al.  
 2013/0237925 A1 9/2013 Trainer et al.  
 2014/0107584 A1 4/2014 Rosenberg et al.  
 2014/0364809 A1 12/2014 Isaacson et al.  
 2015/0224296 A1 8/2015 Winsor  
 2017/0120008 A1 5/2017 Burkholz et al.  
 2017/0120014 A1 5/2017 Harding et al.  
 2017/0216535 A1 8/2017 Mao  
 2017/0347913 A1\* 12/2017 Isaacson ..... A61B 5/062

FOREIGN PATENT DOCUMENTS

EP 0268480 B1 10/1990  
 EP 0732120 B1 5/2003  
 EP 1306097 B1 5/2003  
 EP 0993839 B1 9/2004  
 EP 1306097 B1 12/2004  
 EP 1679043 B1 12/2007  
 EP 2022421 A1 2/2009  
 EP 2022421 B1 4/2011  
 GB 2508466 B 10/2014  
 JP S56102253 8/1981  
 JP S5832774 2/1983  
 JP H06-086821 3/1994  
 JP H09-509075 9/1997  
 JP 2000279527 10/2000  
 JP 2004528127 9/2004  
 JP 2011045544 A 3/2011  
 JP 2012521796 9/2012  
 JP 2012200425 10/2012  
 JP 3188771 1/2014  
 JP 2014108112 6/2014  
 WO WO-8807388 A1 10/1988  
 WO WO-9745151 A1 12/1997  
 WO WO-9842393 A1 10/1998  
 WO WO-02096495 A2 12/2002  
 WO WO-2004/082727 9/2004  
 WO 2004/087247 10/2004  
 WO WO-2004098685 A1 11/2004  
 WO WO-2006037638 A1 4/2006  
 WO 2007/052655 5/2007  
 WO WO-2010111283 A1 9/2010  
 WO WO-2011/055287 5/2011  
 WO WO-2016/007442 1/2016  
 WO WO-2017062579 A1 4/2017

\* cited by examiner

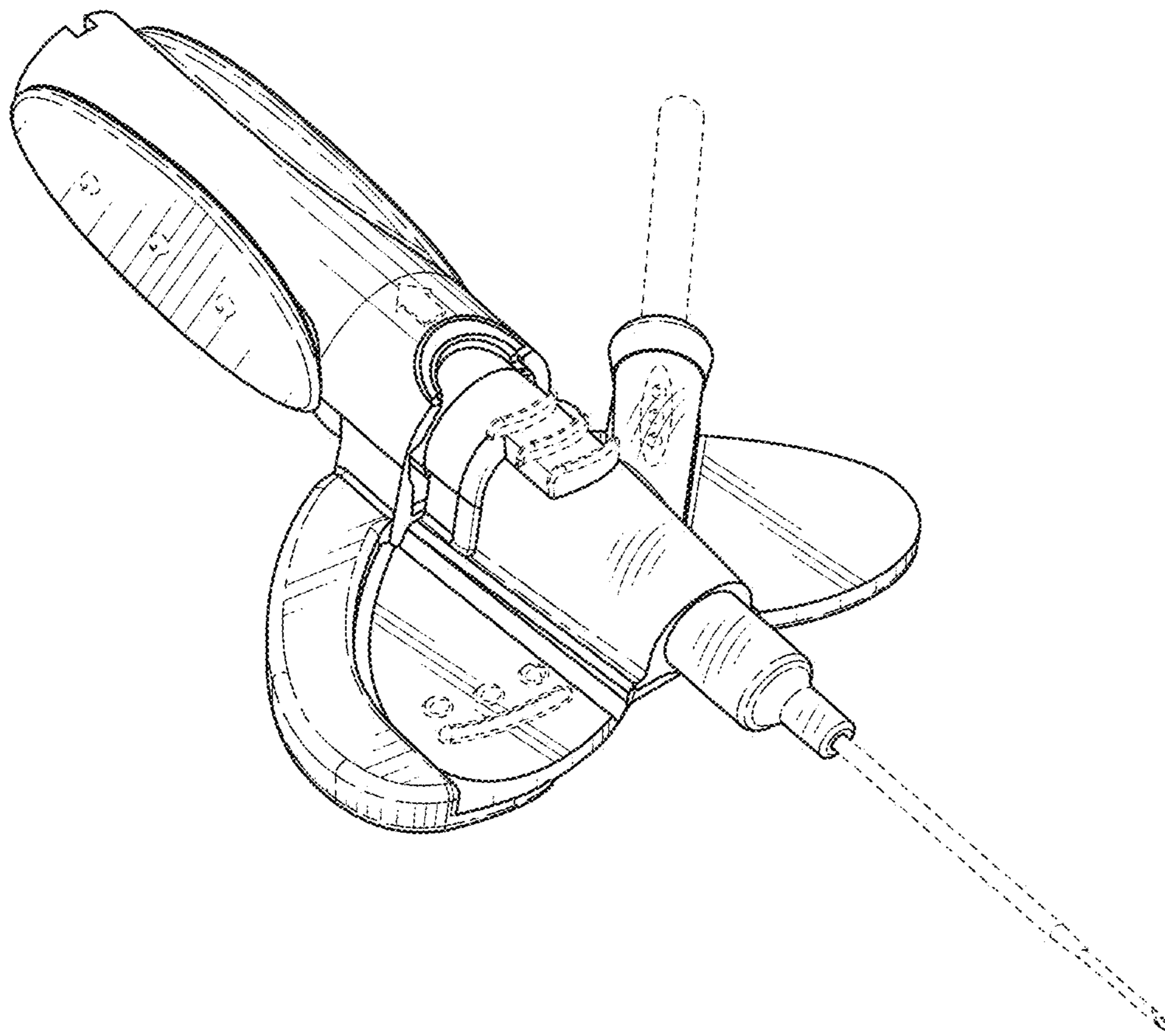


FIG. 1

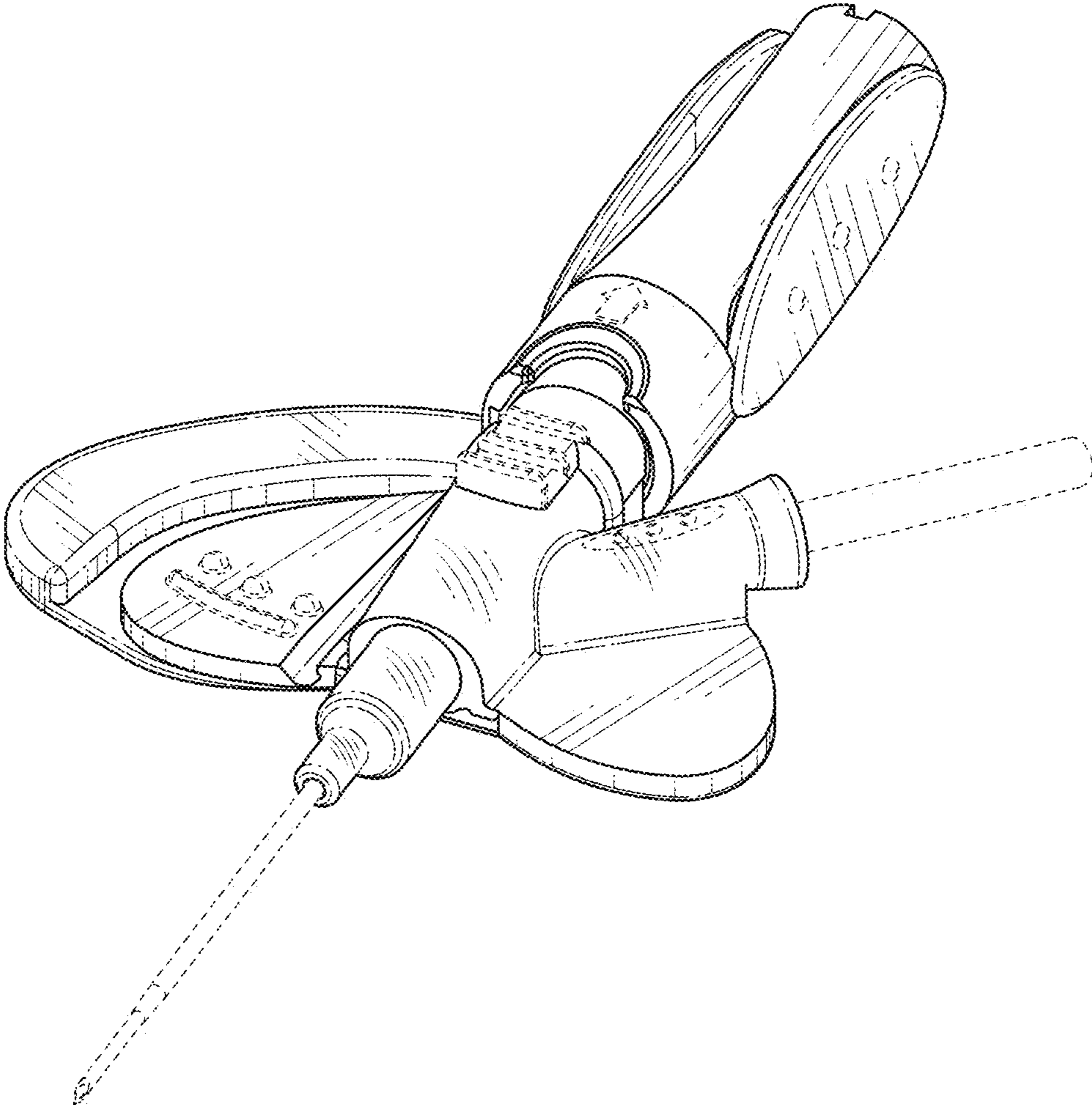


FIG. 2

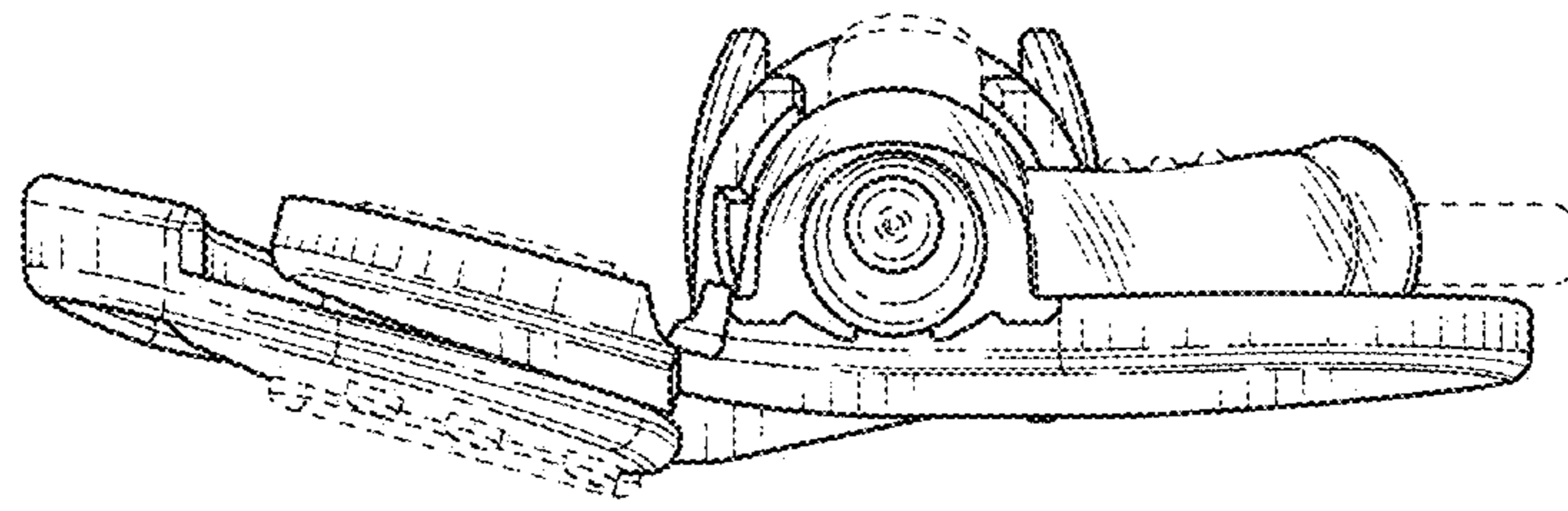


FIG. 3

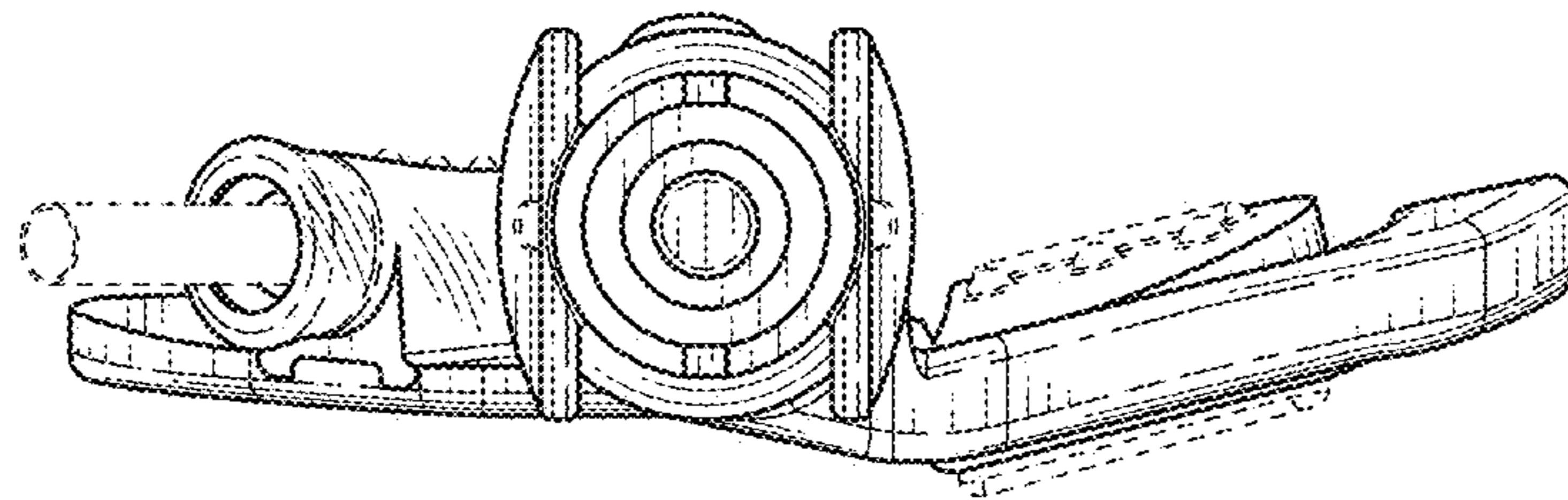


FIG. 4

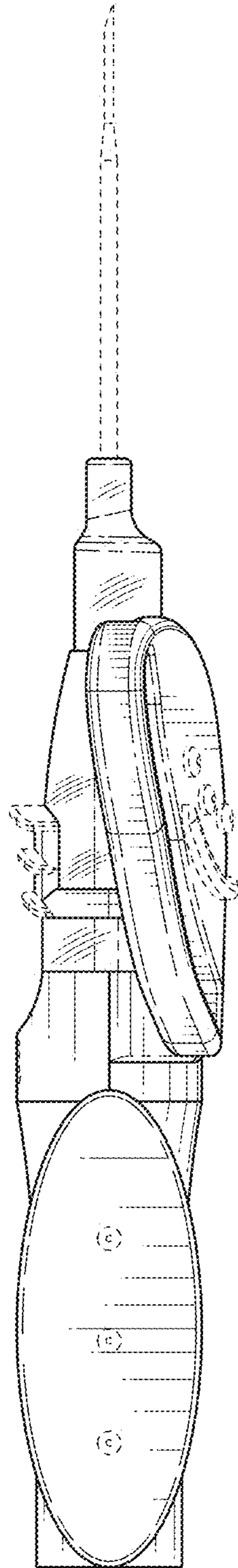


FIG. 5

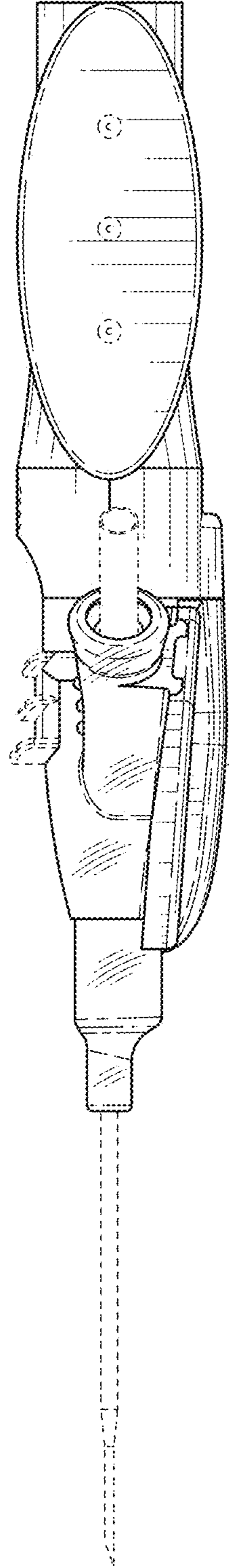


FIG. 6

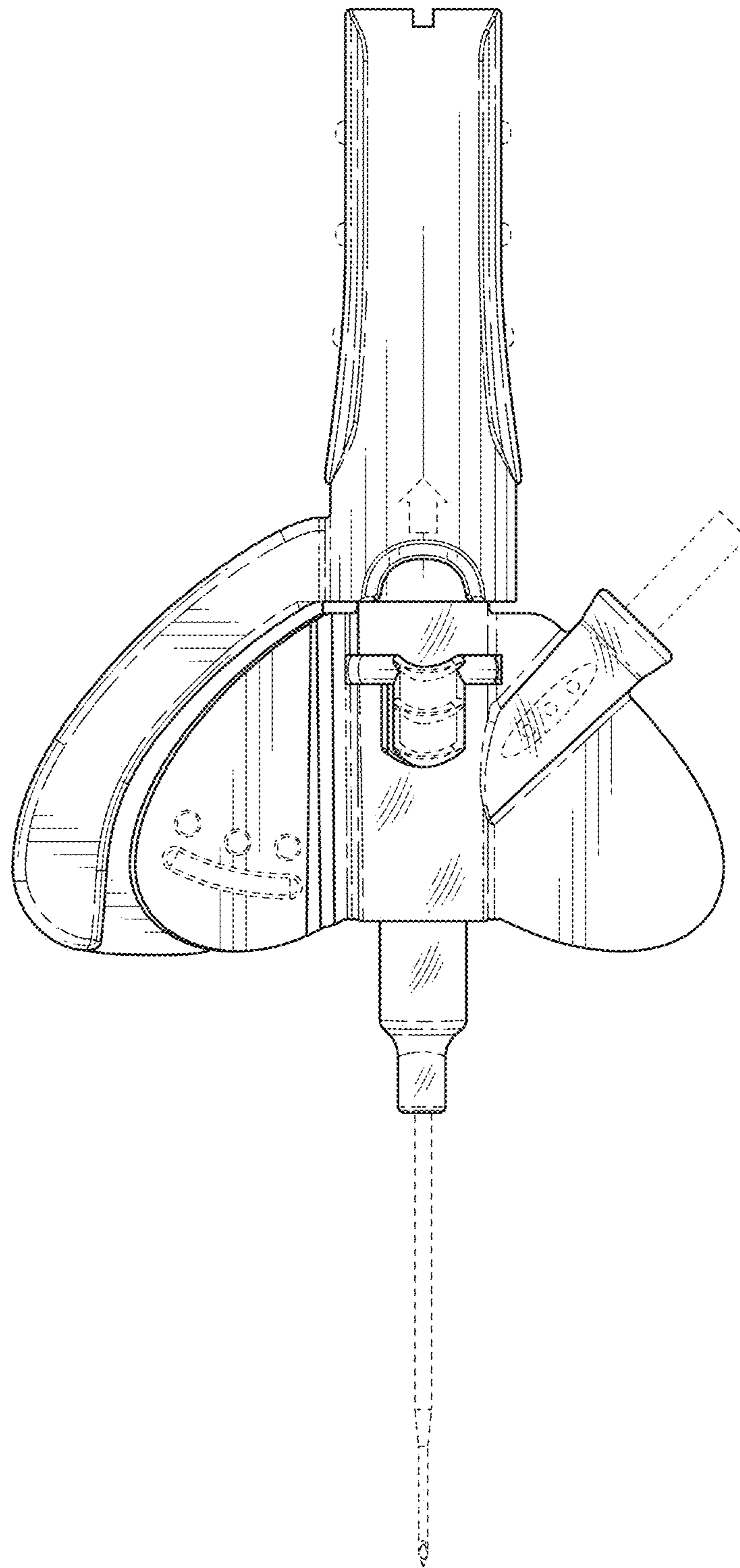


FIG. 7



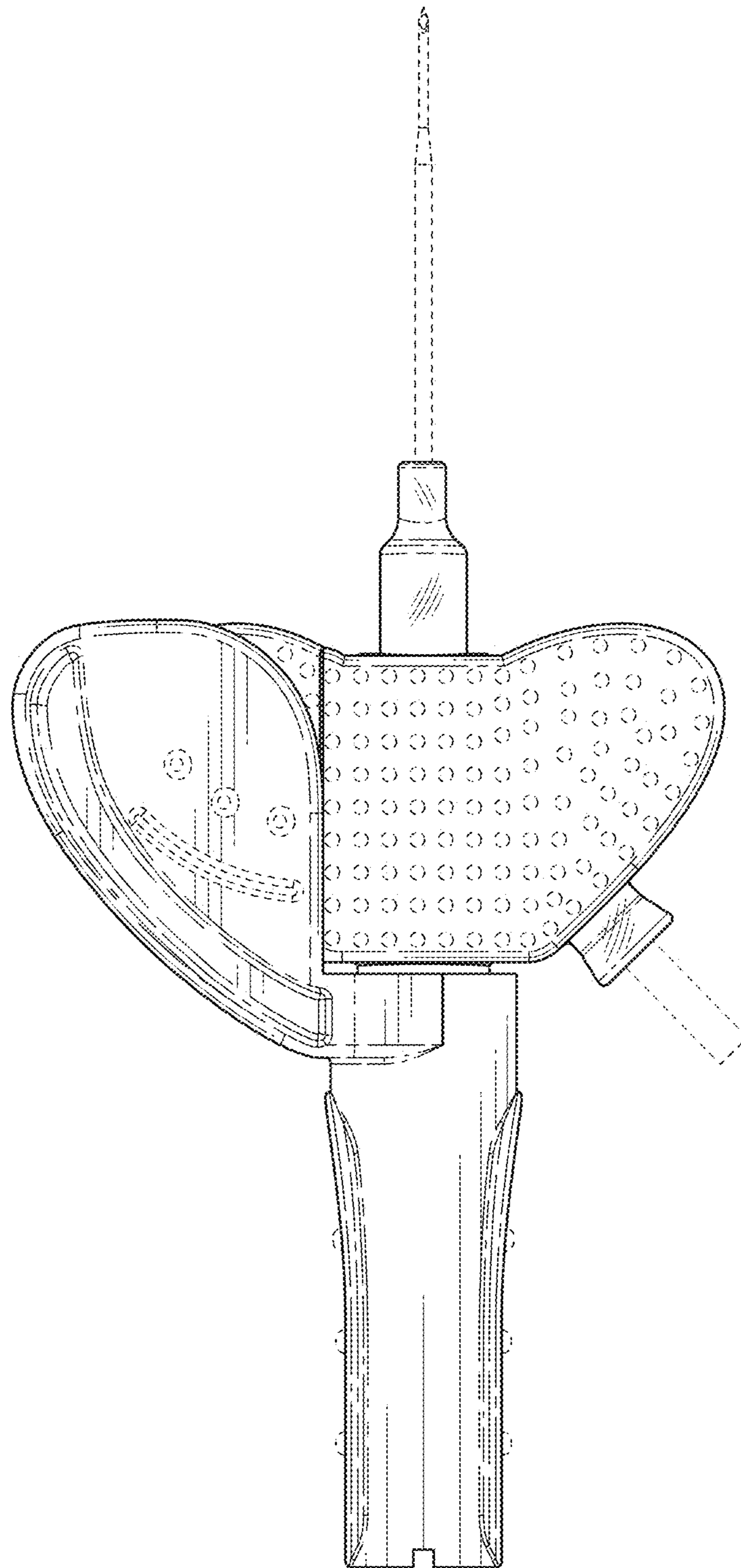


FIG. 8