



US00D893705S

(12) **United States Design Patent** (10) **Patent No.:** **US D893,705 S**
Harder et al. (45) **Date of Patent:** **** *Aug. 18, 2020**

- (54) **NASOPHARYNGEAL AIRWAY**
- (71) Applicant: **H&H Medical Corporation**,
Williamsburg, VA (US)
- (72) Inventors: **Paul X. Harder**, Williamsburg, VA
(US); **Robert H. B. Harder**,
Williamsburg, VA (US)
- (73) Assignee: **H&H Medical Corporation**,
Williamsburg, VA (US)
- (*) Notice: This patent is subject to a terminal dis-
claimer.
- (**) Term: **15 Years**
- (21) Appl. No.: **29/680,007**
- (22) Filed: **Feb. 12, 2019**
- (51) **LOC (12) Cl.** **29-02**
- (52) **U.S. Cl.**
USPC **D24/110.5**
- (58) **Field of Classification Search**
USPC D24/110, 110.5, 112, 164
CPC A61M 16/0666; A61M 2210/0618; A61M
16/0683; A61M 16/0461; A61M 16/0484
See application file for complete search history.

- (56) **References Cited**
U.S. PATENT DOCUMENTS
D446,580 S * 8/2001 Allende D24/112
8,517,026 B2 * 8/2013 Amon A61M 15/085
128/200.24
D695,390 S * 12/2013 Bruggeman D24/110.5
8,839,790 B2 * 9/2014 Beck Arnon A24F 47/00
128/207.11
D771,242 S * 11/2016 Kaufmann D24/112
D865,159 S * 10/2019 Beck D24/110.5

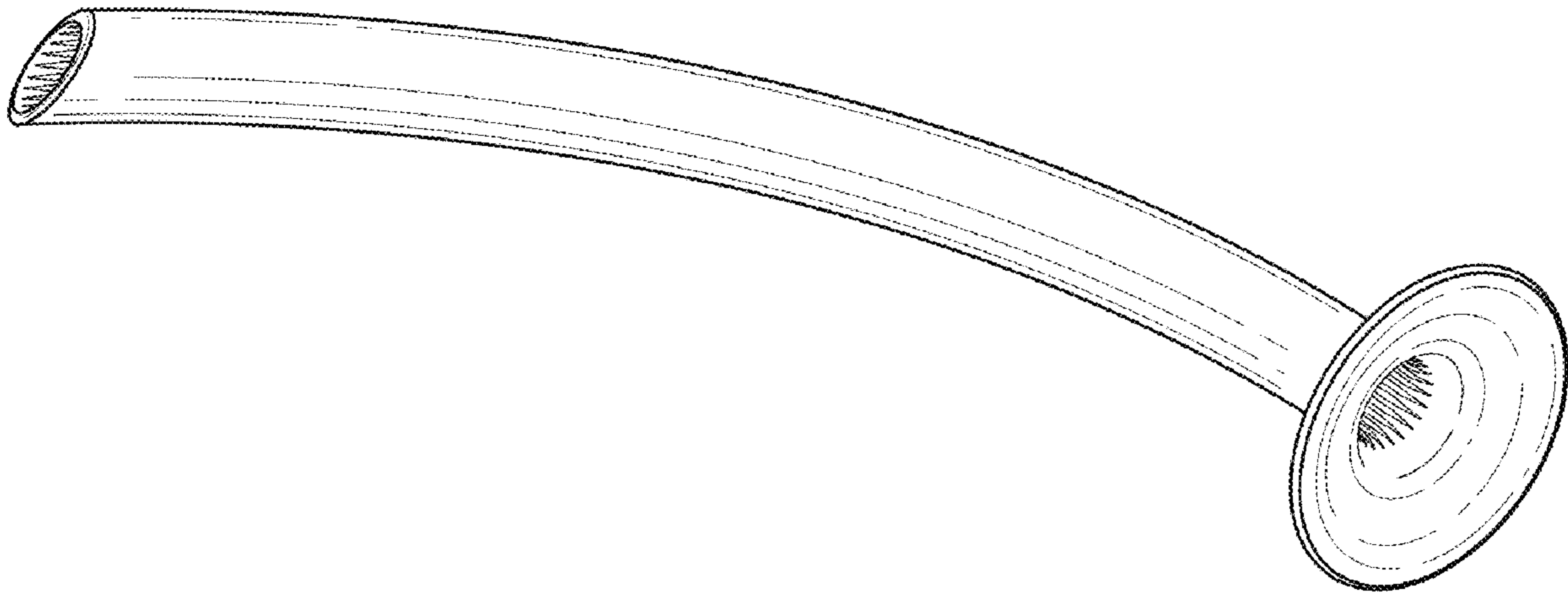
- 2006/0048775 A1 * 3/2006 Dunlap A61M 16/0461
128/200.26
- 2012/0080037 A1 * 4/2012 Guyuron A61M 16/085
128/207.18
- 2013/0019872 A1 * 1/2013 Guyuron A61M 16/0461
128/207.18
- 2013/0152940 A1 * 6/2013 Larson A61M 16/0461
128/207.18
- 2013/0338521 A1 * 12/2013 Thompson A61M 16/0816
600/532
- 2018/0093059 A1 * 4/2018 Ozenne A61M 16/0461
- 2018/0369007 A1 * 12/2018 Beck A61F 5/0013
- 2019/0314588 A1 * 10/2019 Beck A61M 15/08
- 2019/0358079 A1 * 11/2019 Kassab A61F 5/56

* cited by examiner
Primary Examiner — Lilyana Bekic

(57) **CLAIM**
The ornamental design for a nasopharyngeal airway, as
shown and described.

DESCRIPTION
FIG. 1 is a top perspective view of a nasopharyngeal airway
showing our new design;
FIG. 2 is a bottom perspective view thereof;
FIG. 3 is a rear perspective view thereof;
FIG. 4 is a front perspective view thereof;
FIG. 5 is a top view thereof;
FIG. 6 is a bottom view thereof;
FIG. 7 is a right side view thereof;
FIG. 8 is a left side view thereof;
FIG. 9 is a rear view thereof;
FIG. 10 is a front view thereof;
FIG. 11 is an enlarged cross-sectional view taken in the
direction of line 11-11 in FIG. 7; and,
FIG. 12 is an enlarged cross-sectional view taken in the
direction of line 12-12 in FIG. 7.

1 Claim, 5 Drawing Sheets



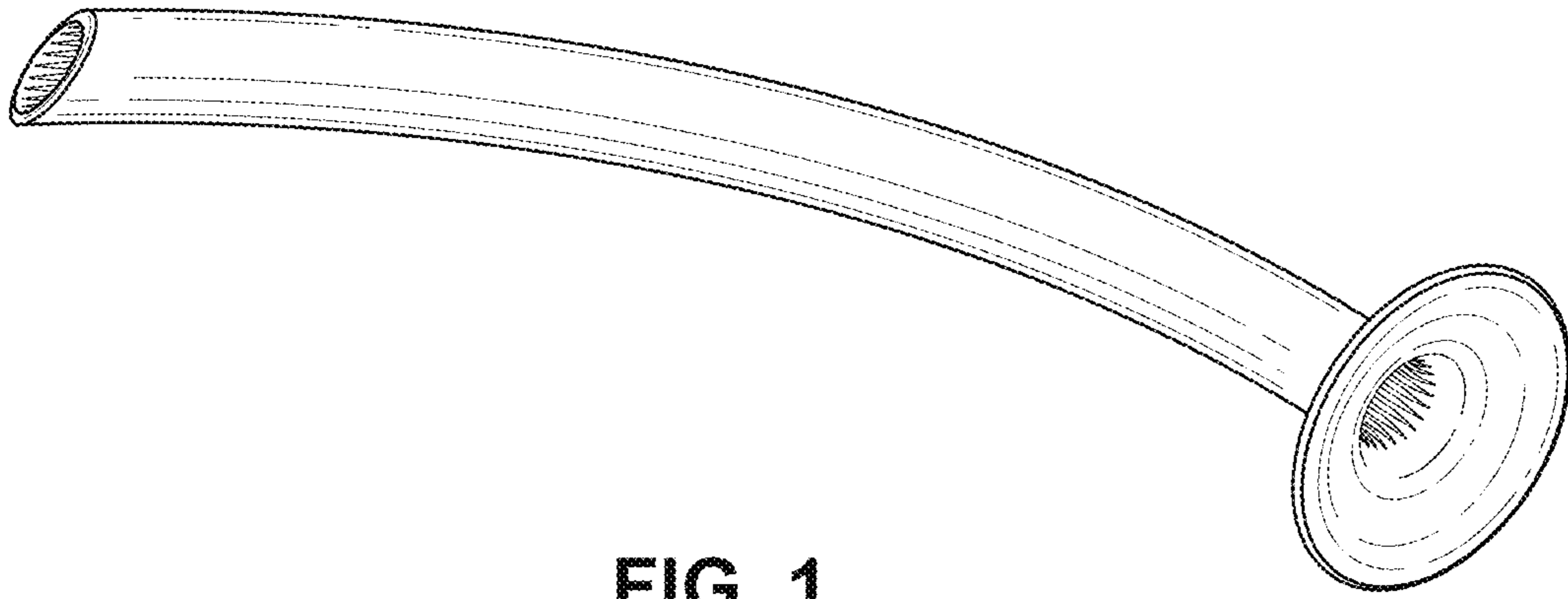


FIG. 1

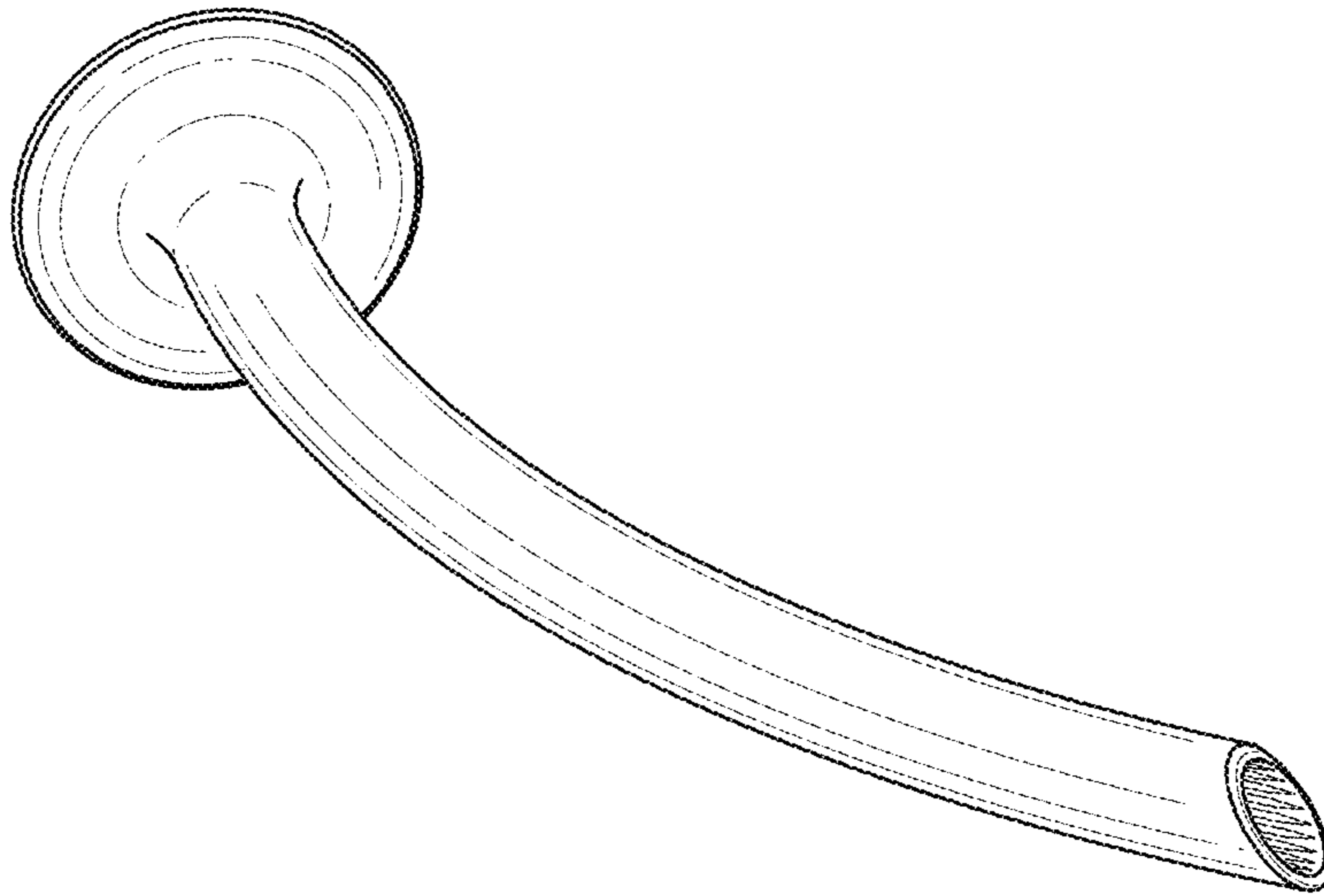


FIG. 2

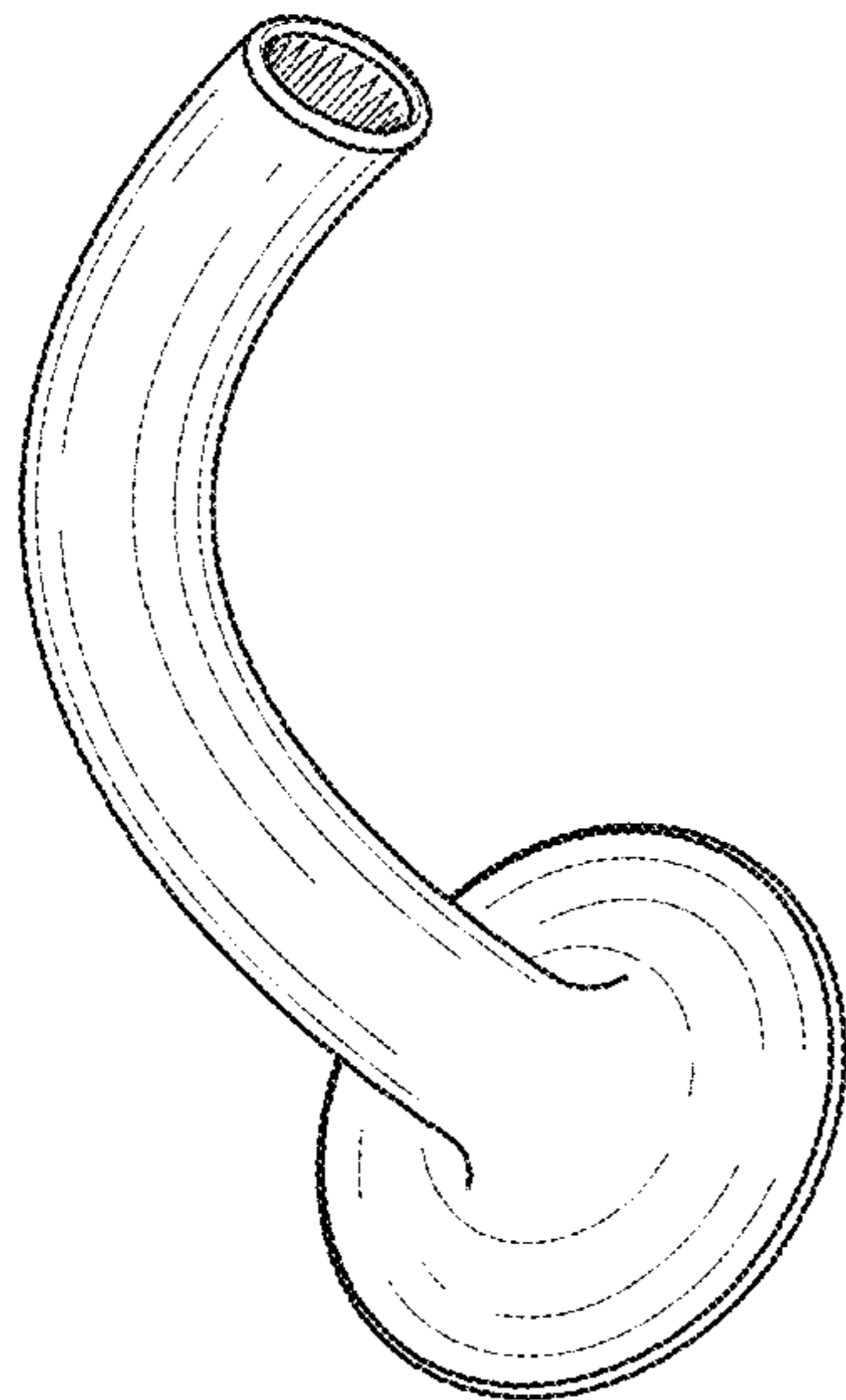


FIG. 3

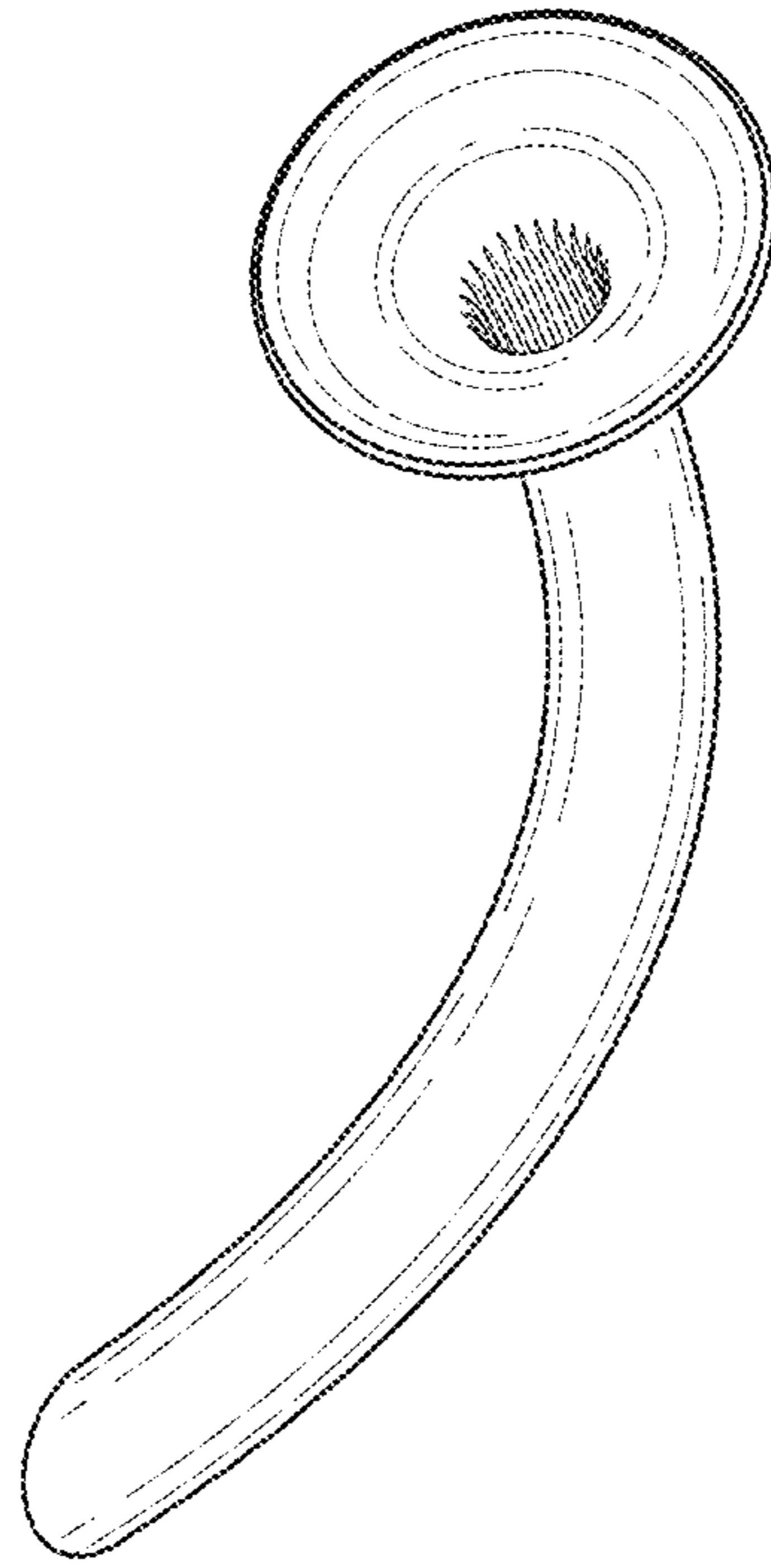


FIG. 4



FIG. 5

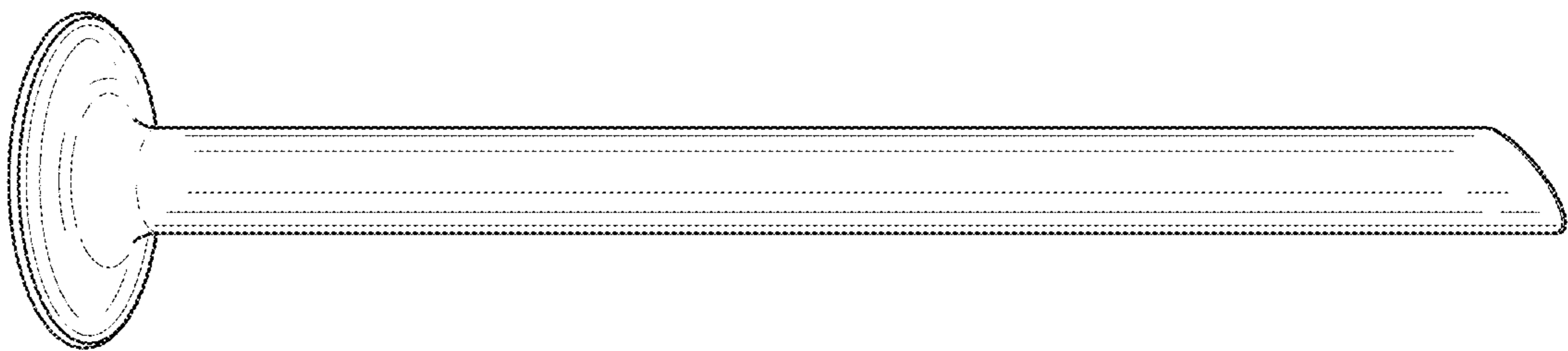


FIG. 6

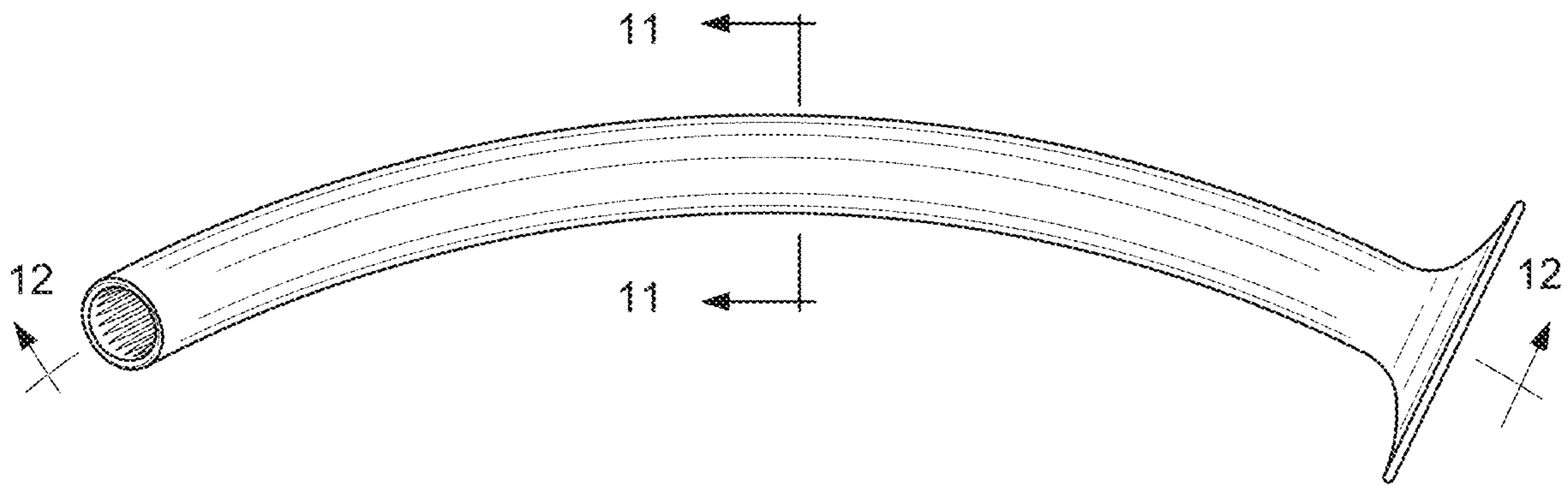


FIG. 7



FIG. 8

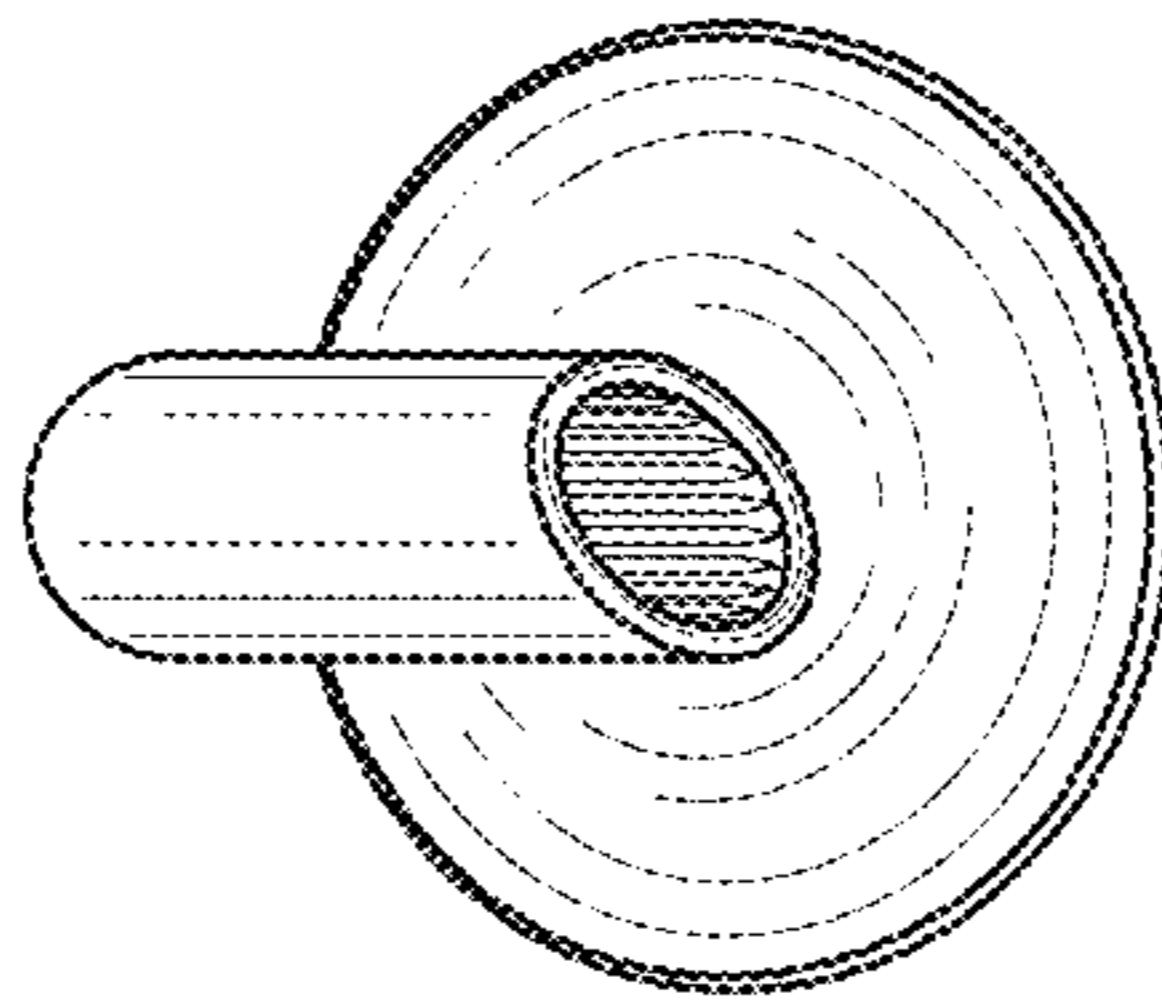


FIG. 9

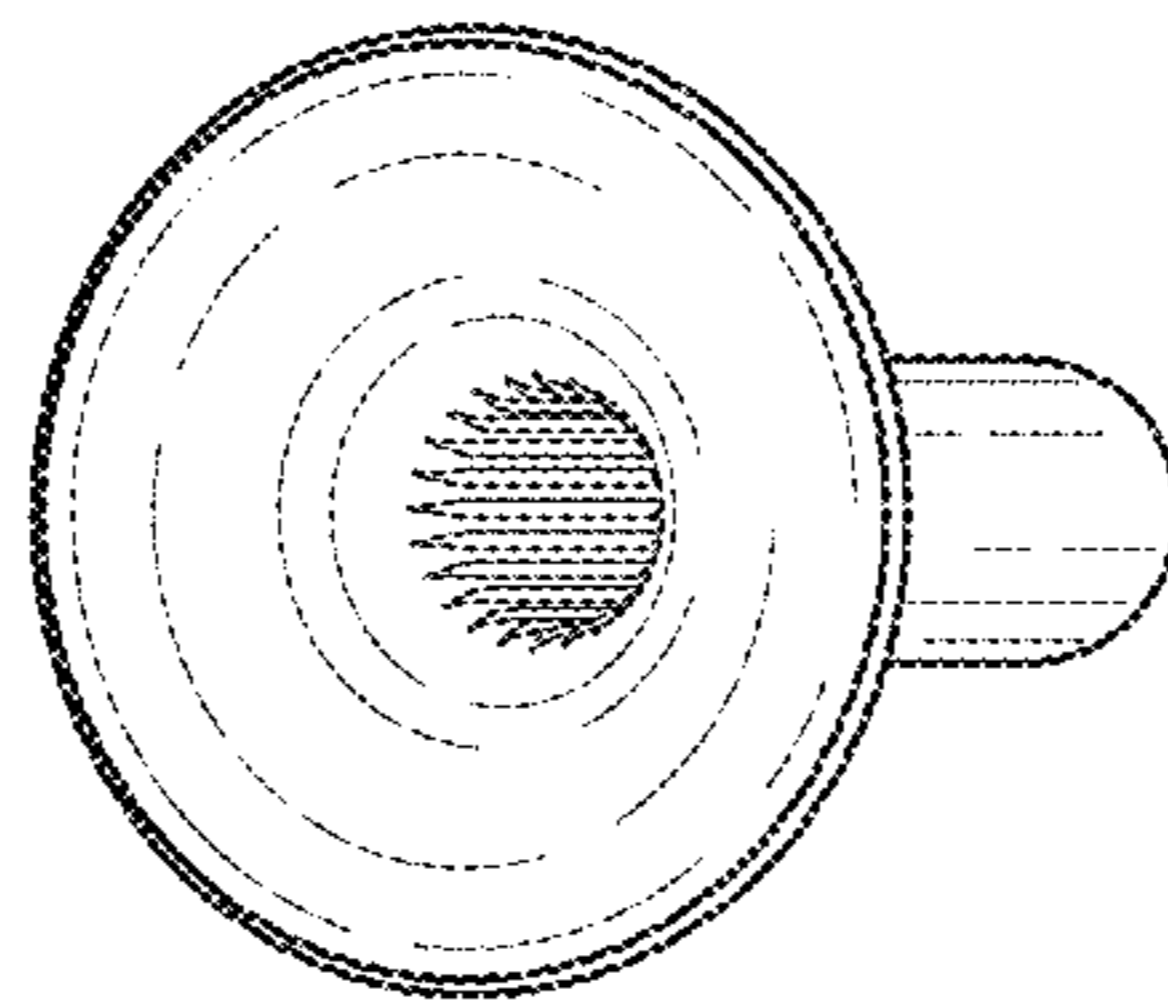


FIG. 10

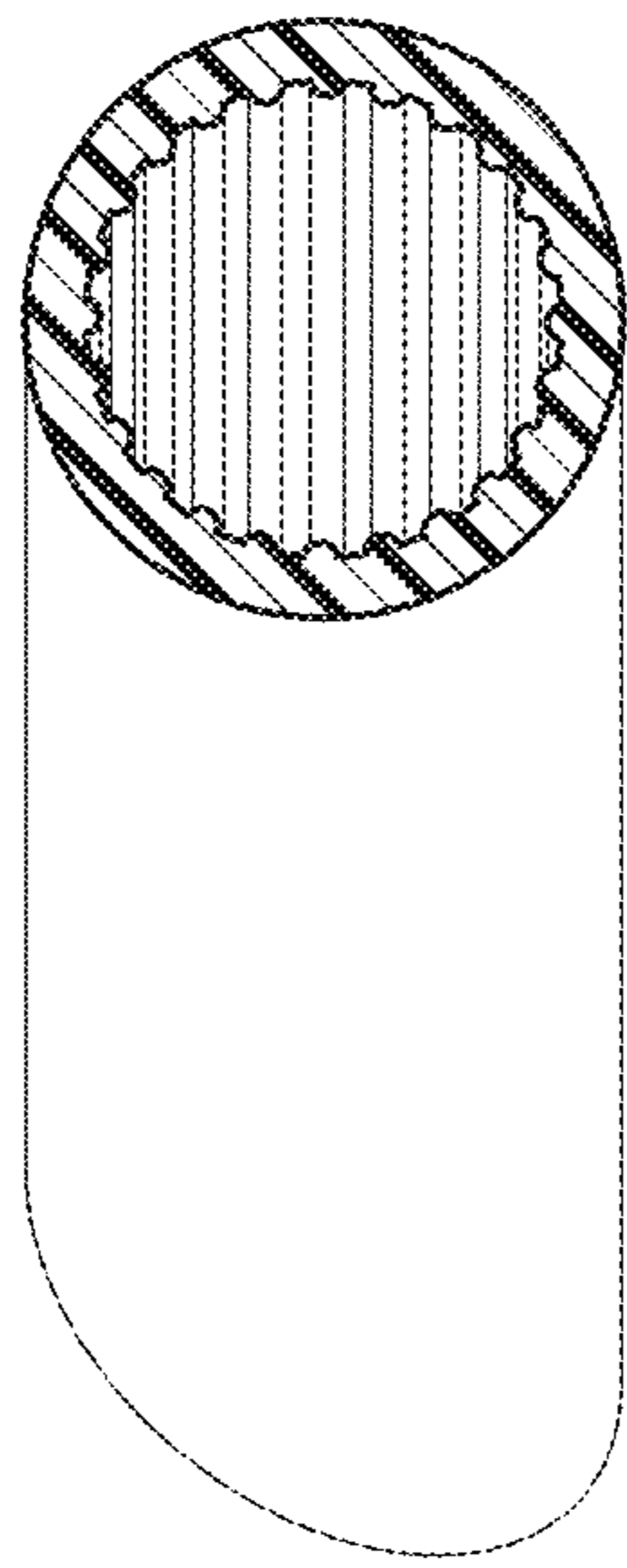


FIG. 11

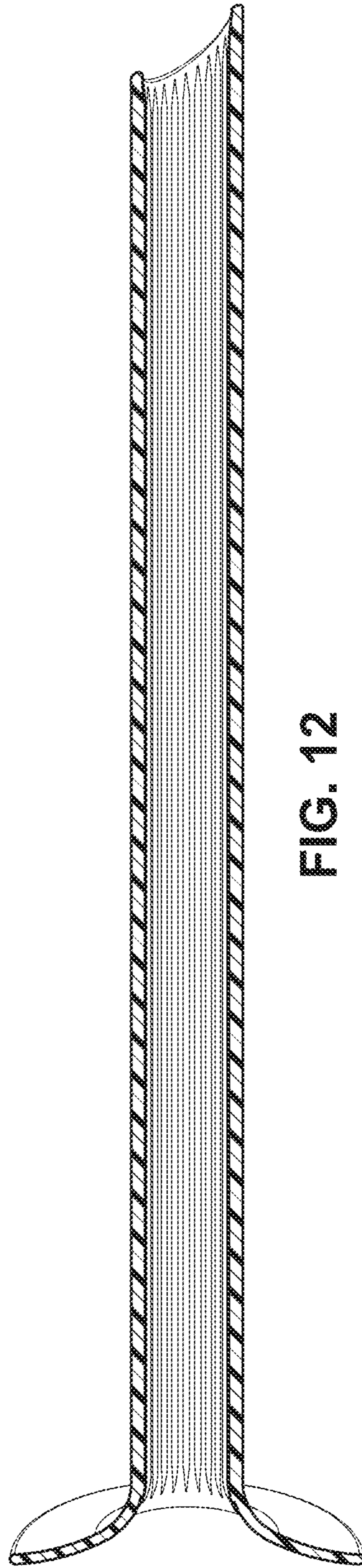


FIG. 12