



US00D893703S

(12) **United States Design Patent** (10) **Patent No.:** **US D893,703 S**
Bogan et al. (45) **Date of Patent:** **** Aug. 18, 2020**

- (54) **THERAPEUTIC DEVICE**
- (71) Applicant: **Healthy Humming, LLC**, Columbia, SC (US)
- (72) Inventors: **Richard K. Bogan**, Johns Island, SC (US); **David J. Lewis**, Columbia, SC (US); **Caleb Pinckney**, Irmo, SC (US); **David Bonner**, Knoxville, TN (US); **Michael Maloney**, On (CA)
- (73) Assignee: **Healthy Humming, LLC**, Columbia, SC (US)
- (**) Term: **15 Years**
- (21) Appl. No.: **29/690,286**
- (22) Filed: **May 7, 2019**
- (51) **LOC (12) Cl.** **29-02**
- (52) **U.S. Cl.**
USPC **D24/110**
- (58) **Field of Classification Search**
USPC D24/107-108, 110, 110.5, 127, 164
CPC A61M 11/005; A61M 15/0085;
A61M 11/00; A61M 16/14; A61M 11/02;
A61M 15/00; A61M 15/0001; A61M 15/001
See application file for complete search history.

- (56) **References Cited**
U.S. PATENT DOCUMENTS
5,170,782 A * 12/1992 Kocinski A61M 11/005
128/200.16
D337,636 S * 7/1993 Kocinski D24/110
8,616,195 B2 * 12/2013 Power B05B 17/0607
128/200.16
D752,206 S * 3/2016 Genord D24/110
D753,282 S * 4/2016 Lee D24/100
D757,245 S * 5/2016 Lee D24/110
D849,231 S * 5/2019 Yang D24/110
D884,876 S * 5/2020 Jung D24/110

D886,278 S *	6/2020	Lin	D24/110
2009/0114737 A1 *	5/2009	Yu	A61M 15/0085 239/69
2012/0174917 A1 *	7/2012	Chen	A61M 15/002 128/200.23
2016/0206835 A1 *	7/2016	Lee	A61M 15/0085
2016/0271343 A1 *	9/2016	Abate	A61M 11/001
2017/0291000 A1 *	10/2017	Salegui Echeveste	B65D 83/14
2017/0291186 A1 *	10/2017	Lee	A61M 15/0085
2018/0161531 A1 *	6/2018	Costella	A61M 15/0091
2018/0318338 A1 *	11/2018	Meloni	A61F 9/00
2018/0361084 A1 *	12/2018	Peng	A61M 11/005
2019/0099566 A1 *	4/2019	Gramann	A61M 15/02
2019/0160234 A1 *	5/2019	Lefkowitz	A61M 16/1075
2019/0231991 A1 *	8/2019	Tsai	A61M 15/0085

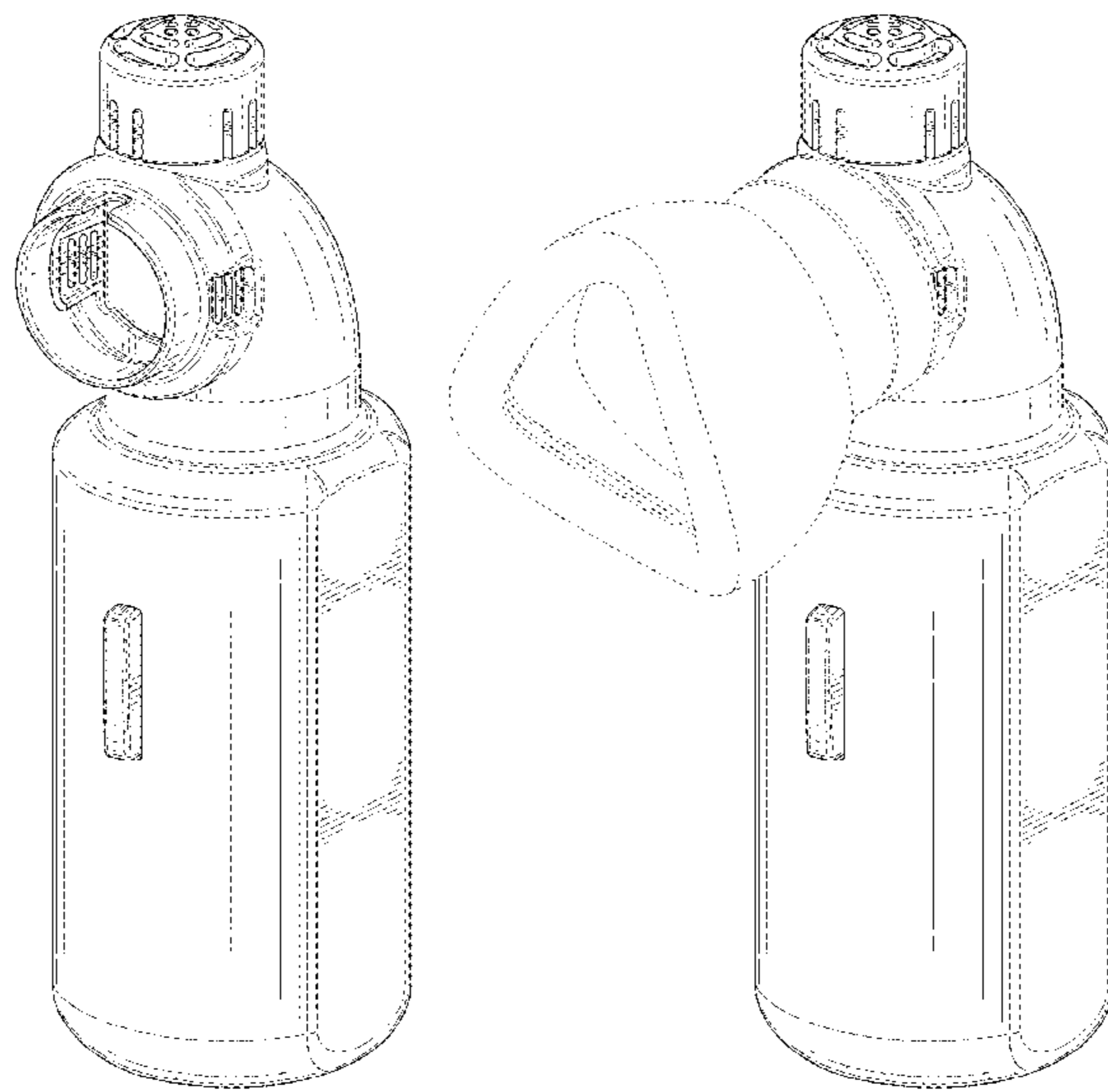
(Continued)

Primary Examiner — Lilyana Bekic
(74) *Attorney, Agent, or Firm* — Haynsworth Sinkler Boyd, P.A.

(57) **CLAIM**
The ornamental design for a therapeutic device, as shown and described.

DESCRIPTION
FIG. 1 is a front perspective view of a therapeutic device depicting a new design;
FIG. 2 is a back perspective view thereof;
FIG. 3 is a front elevational view thereof;
FIG. 4 is a back elevational view thereof;
FIG. 5 is a right elevational view thereof;
FIG. 6 is a left elevational view thereof;
FIG. 7 is a top plan view thereof;
FIG. 8 is a bottom plan view thereof; and,
FIG. 9 is another front perspective view thereof.
The broken line disclosures in FIG. 9 represent environment which forms no part of the claimed design. The remaining broken line disclosures in the views represent portions of the therapeutic device that form no part of the claimed design.

1 Claim, 8 Drawing Sheets



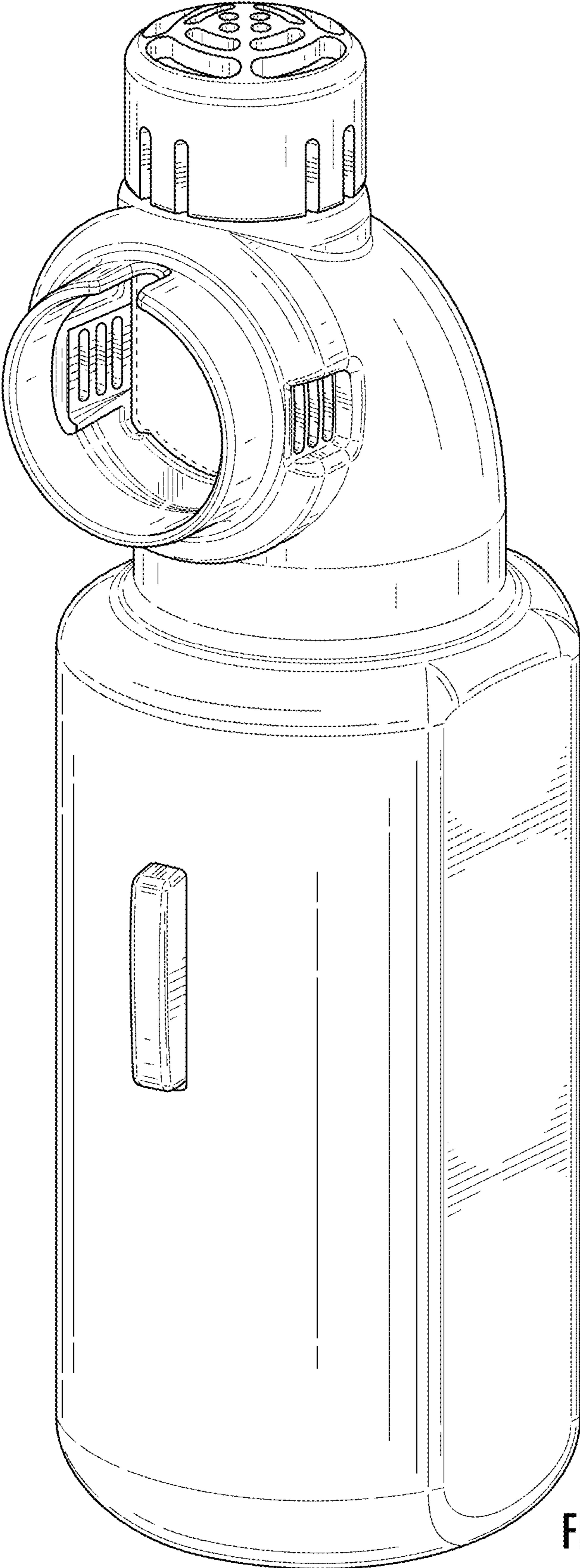
(56)

References Cited

U.S. PATENT DOCUMENTS

2019/0262559 A1* 8/2019 Bogan A61H 9/0007
2019/0351155 A1* 11/2019 Montagnino A61H 33/12

* cited by examiner



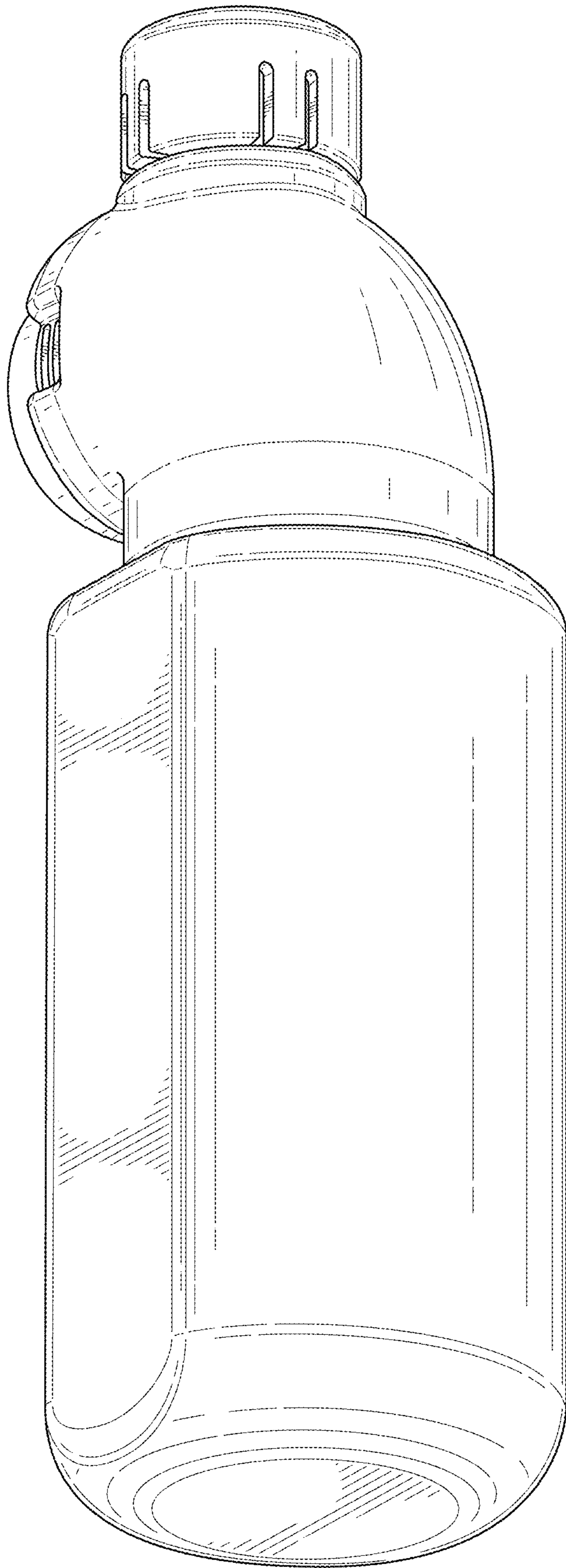


FIG. 2

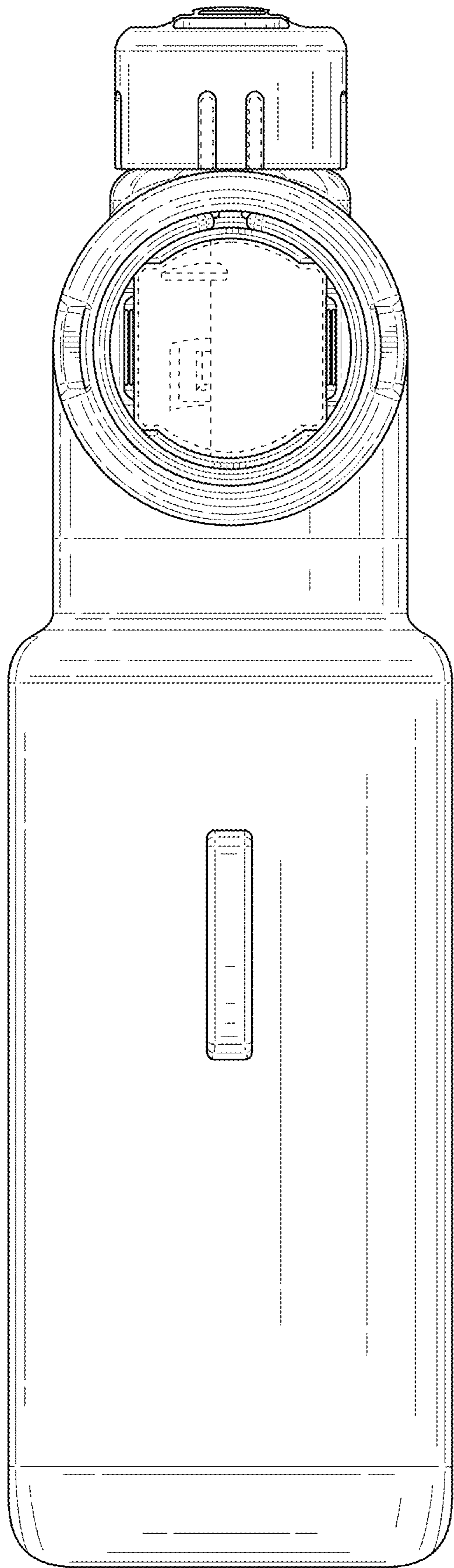


FIG. 3

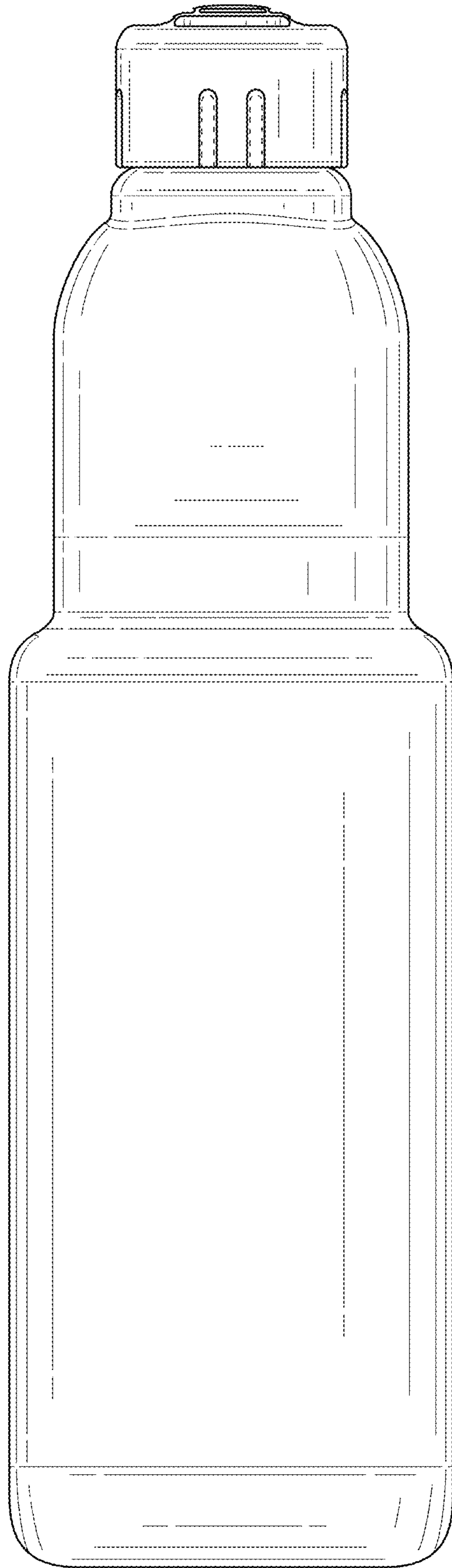


FIG. 4

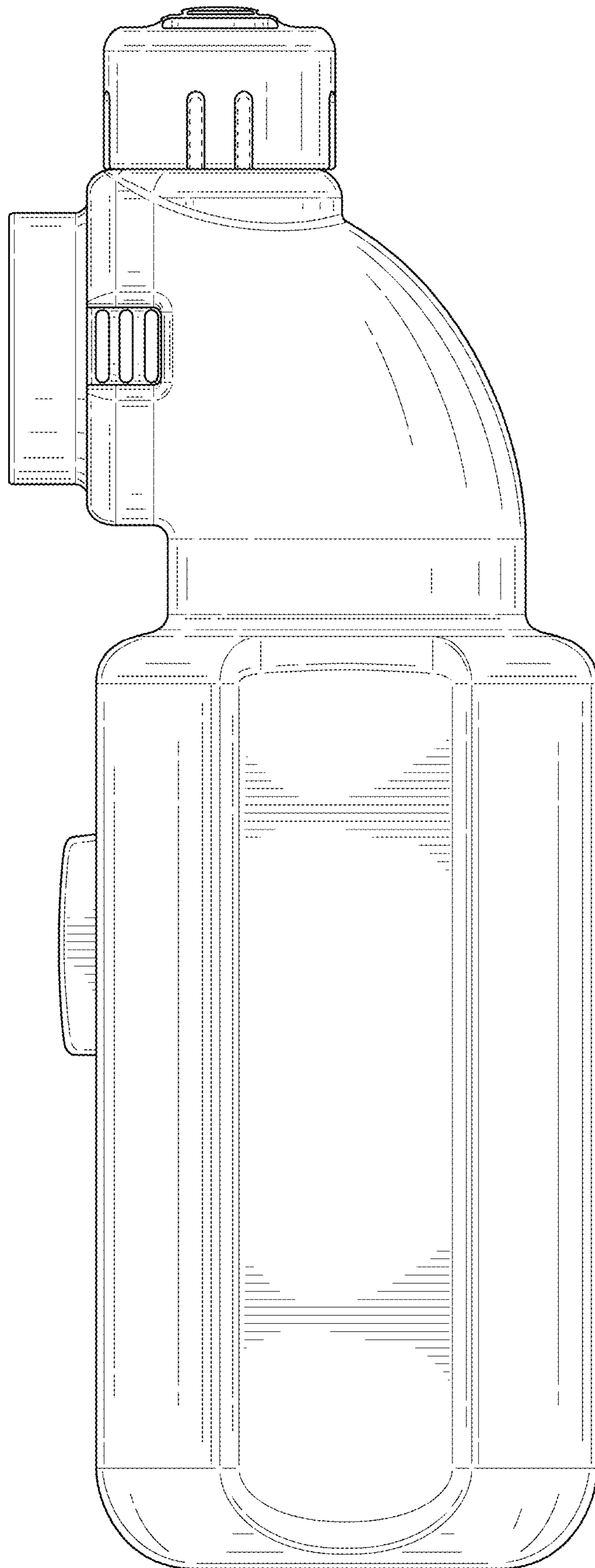


FIG. 5

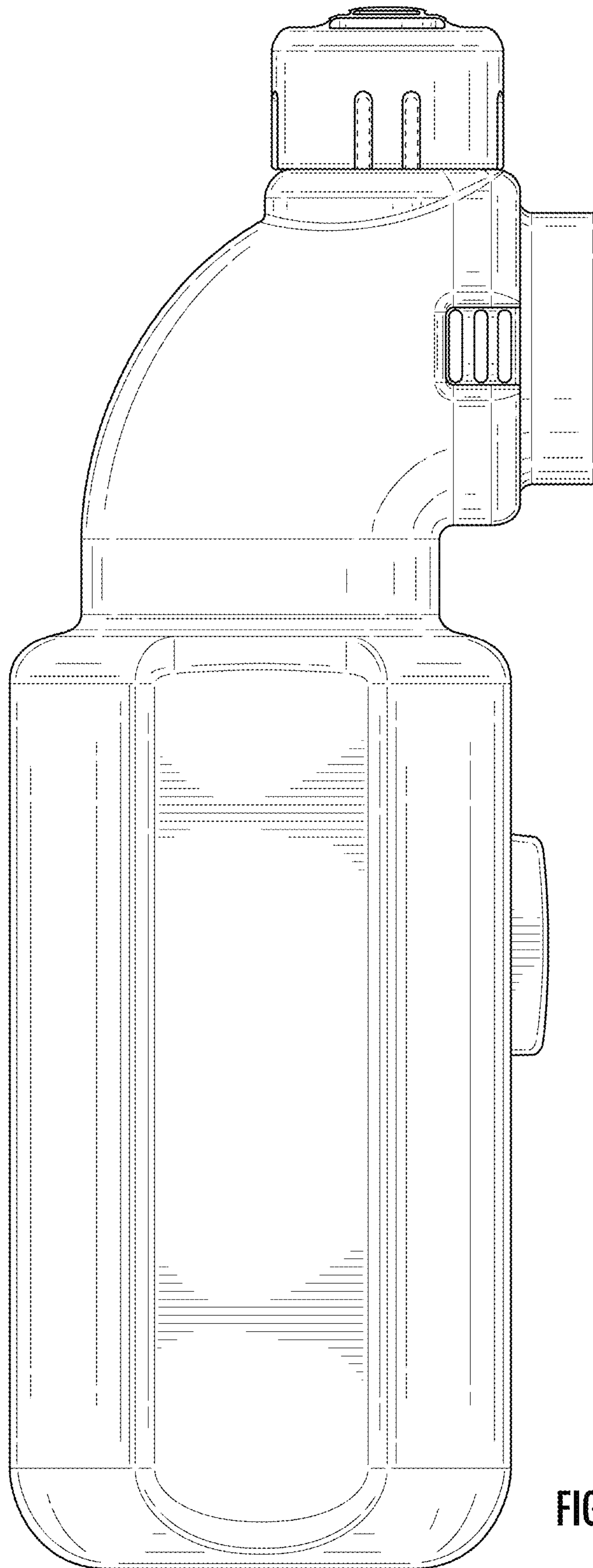


FIG. 6

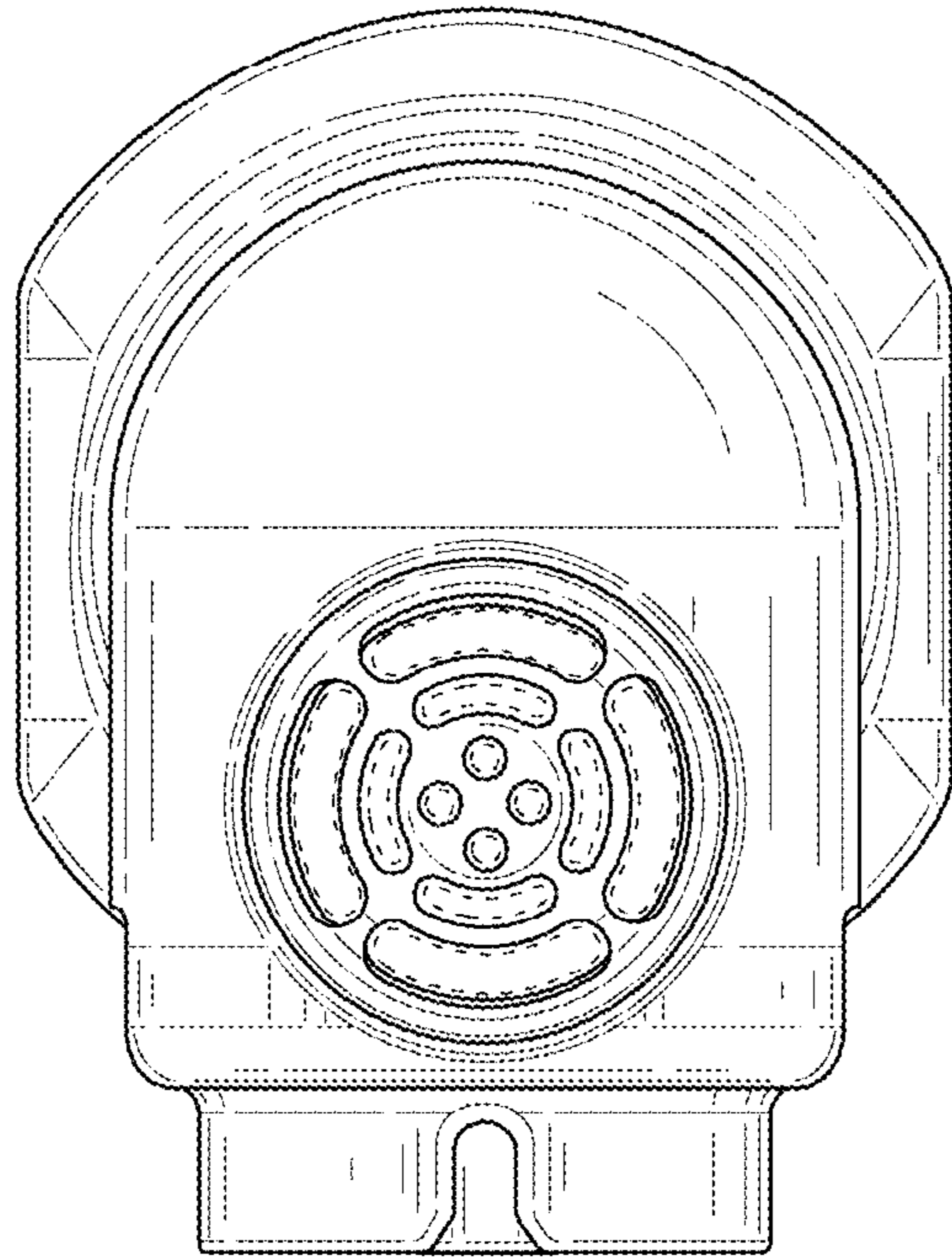


FIG. 7

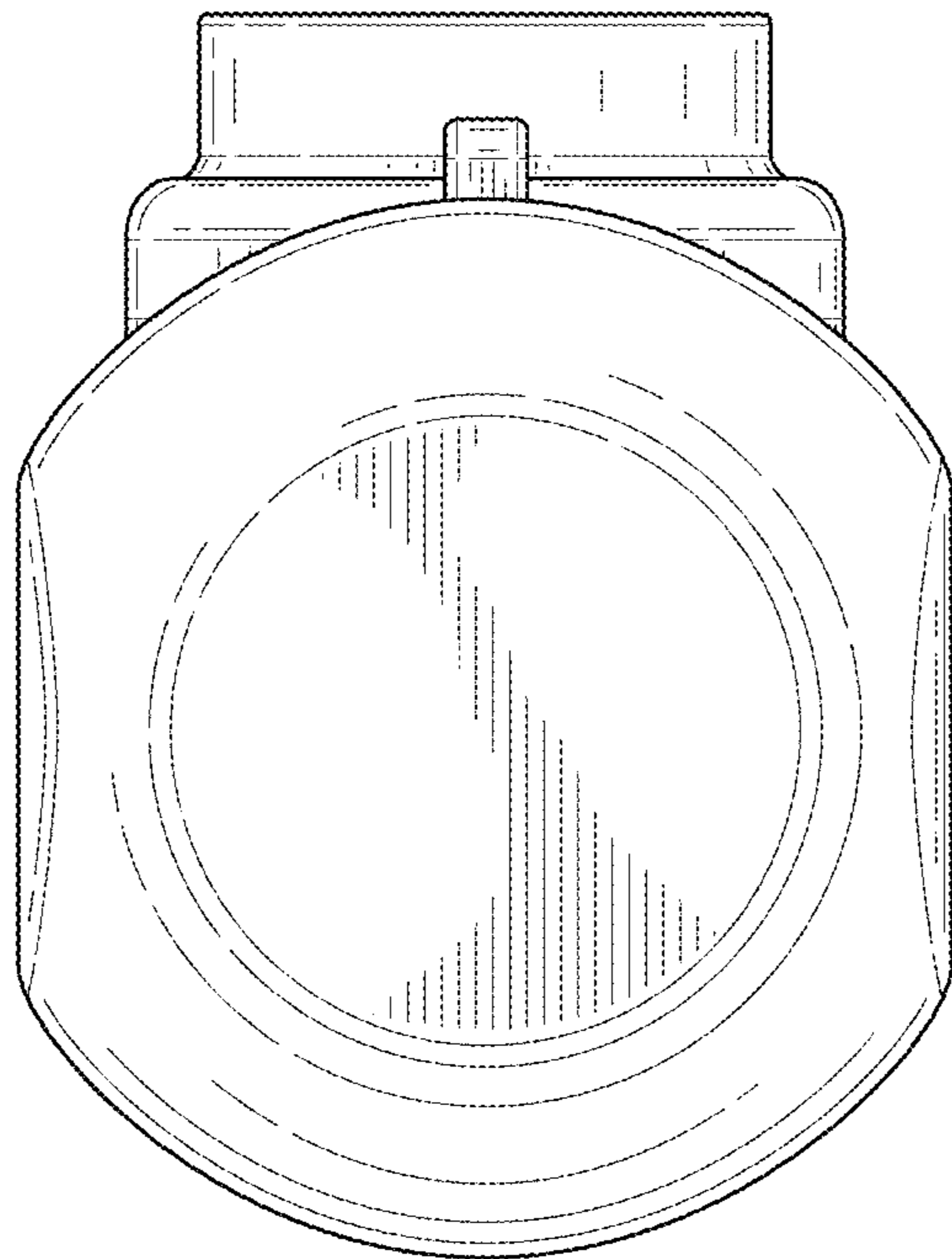


FIG. 8

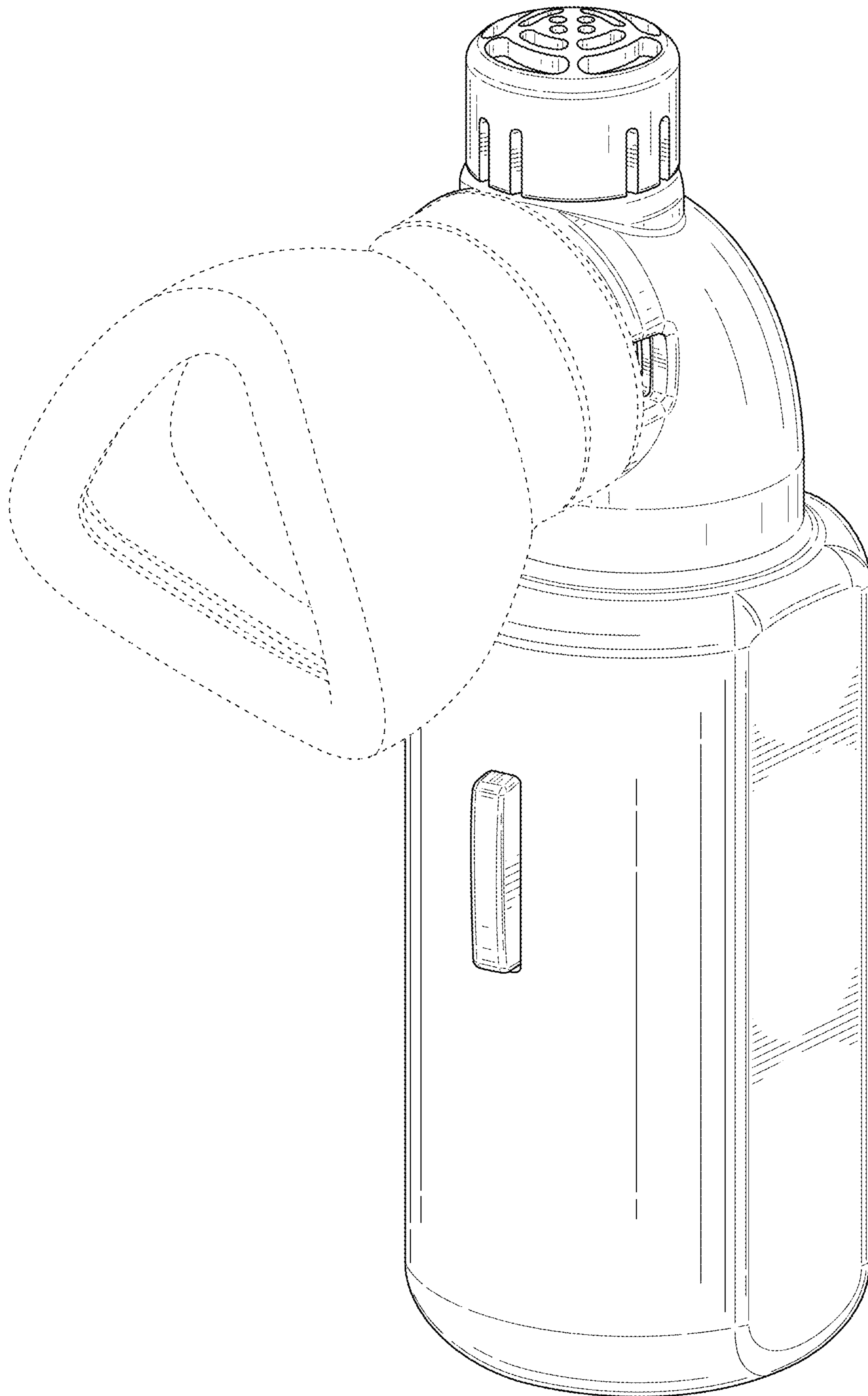


FIG. 9