

US00D893701S

(12) **United States Design Patent** (10) **Patent No.:** **US D893,701 S**
McRoberts et al. (45) **Date of Patent:** **** Aug. 18, 2020**

(54) **CEILING FAN BLADE IRON**
(71) Applicant: **HUNTER FAN COMPANY**,
Memphis, TN (US)
(72) Inventors: **Claire Bernice McRoberts**, Memphis,
TN (US); **Stephen David Michael**
Jones, Sandy Springs, GA (US)
(73) Assignee: **Hunter Fan Company**, Memphis, TN
(US)

D442,275 S * 5/2001 Dolan D23/411
D453,563 S 2/2002 Bogazzi
D475,782 S 6/2003 Hidalgo
D476,411 S 6/2003 Frides
D477,396 S 7/2003 Campbell
D477,397 S 7/2003 Chen
D488,554 S 4/2004 Bacon et al.
D505,196 S 5/2005 Bacon et al.
D505,719 S * 5/2005 Hidalgo D23/411
D514,220 S * 1/2006 Tai D23/411
D515,693 S 2/2006 Frampton et al.
D522,647 S * 6/2006 Pickett D23/411

(Continued)

(**) Term: **15 Years**

(21) Appl. No.: **29/690,325**

(22) Filed: **May 7, 2019**

Related U.S. Application Data

(62) Division of application No. 29/617,367, filed on Sep. 13, 2017, now Pat. No. Des. 852,942, which is a division of application No. 29/582,747, filed on Oct. 31, 2016, now Pat. No. Des. 804,641.

(51) **LOC (12) Cl.** **23-04**

(52) **U.S. Cl.**
USPC **D23/411**

(58) **Field of Classification Search**
USPC D23/370, 377, 379, 385, 411, 413;
D26/59
CPC F04D 25/08; F04D 29/388; F04D 29/34;
F04D 25/088
See application file for complete search history.

(56) **References Cited**

U.S. PATENT DOCUMENTS

D298,052 S 10/1988 Sonneman
D328,951 S * 8/1992 Scofield D23/411
D331,101 S 11/1992 Rezek
D342,311 S 12/1993 Rezek
D373,185 S 8/1996 Tseng
D421,797 S 3/2000 Collmar

OTHER PUBLICATIONS

<http://www.montecarlofans.com/28203/52-Muirfield-Fan---Polished-Nickel-3MUR52PND.html>, Item Specification for 52" Muirfield Fan—Polished Nickel, Accessed Oct. 25, 2016.

(Continued)

Primary Examiner — Janice Hallmark
(74) *Attorney, Agent, or Firm* — McGarry Bair PC

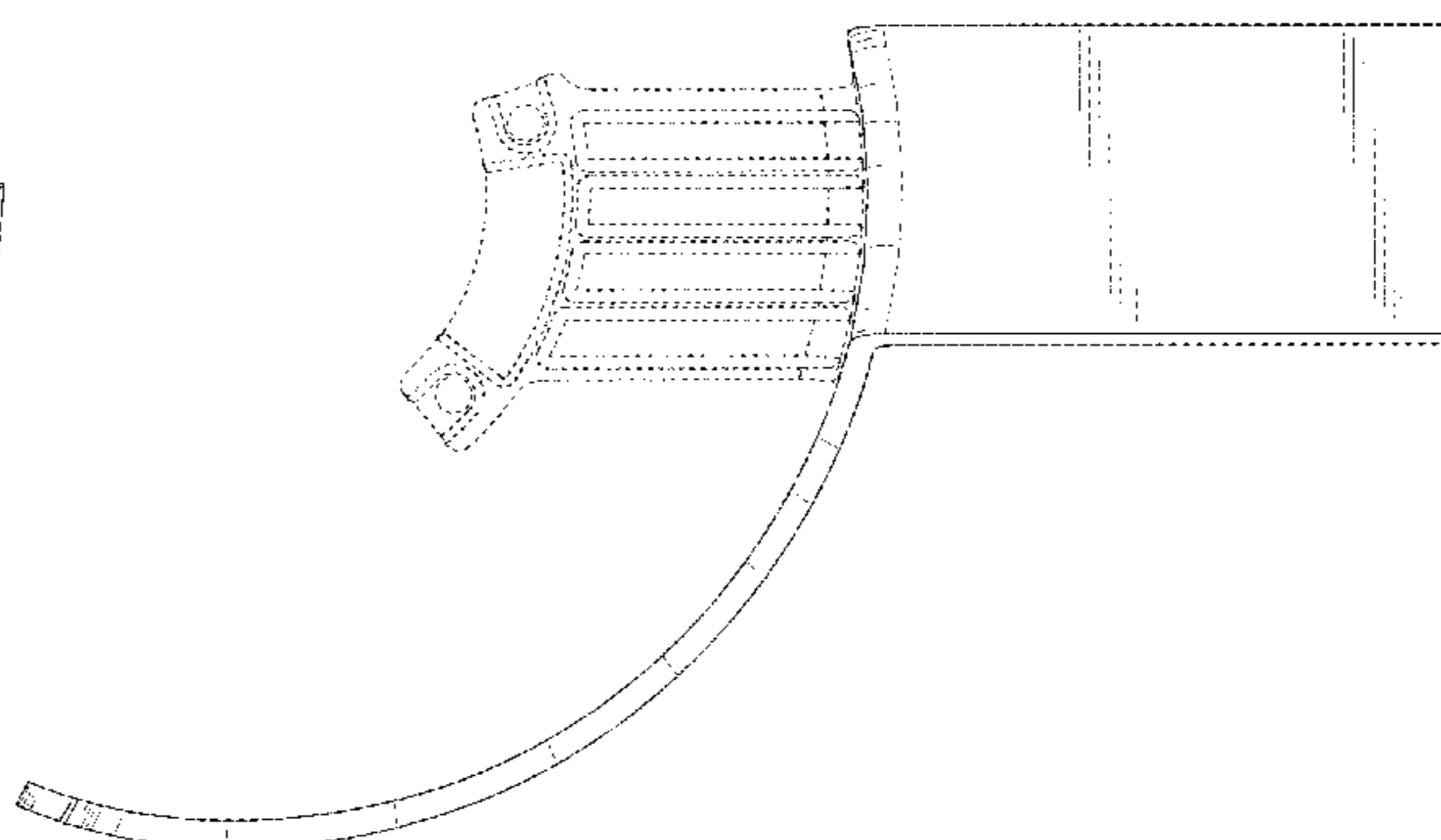
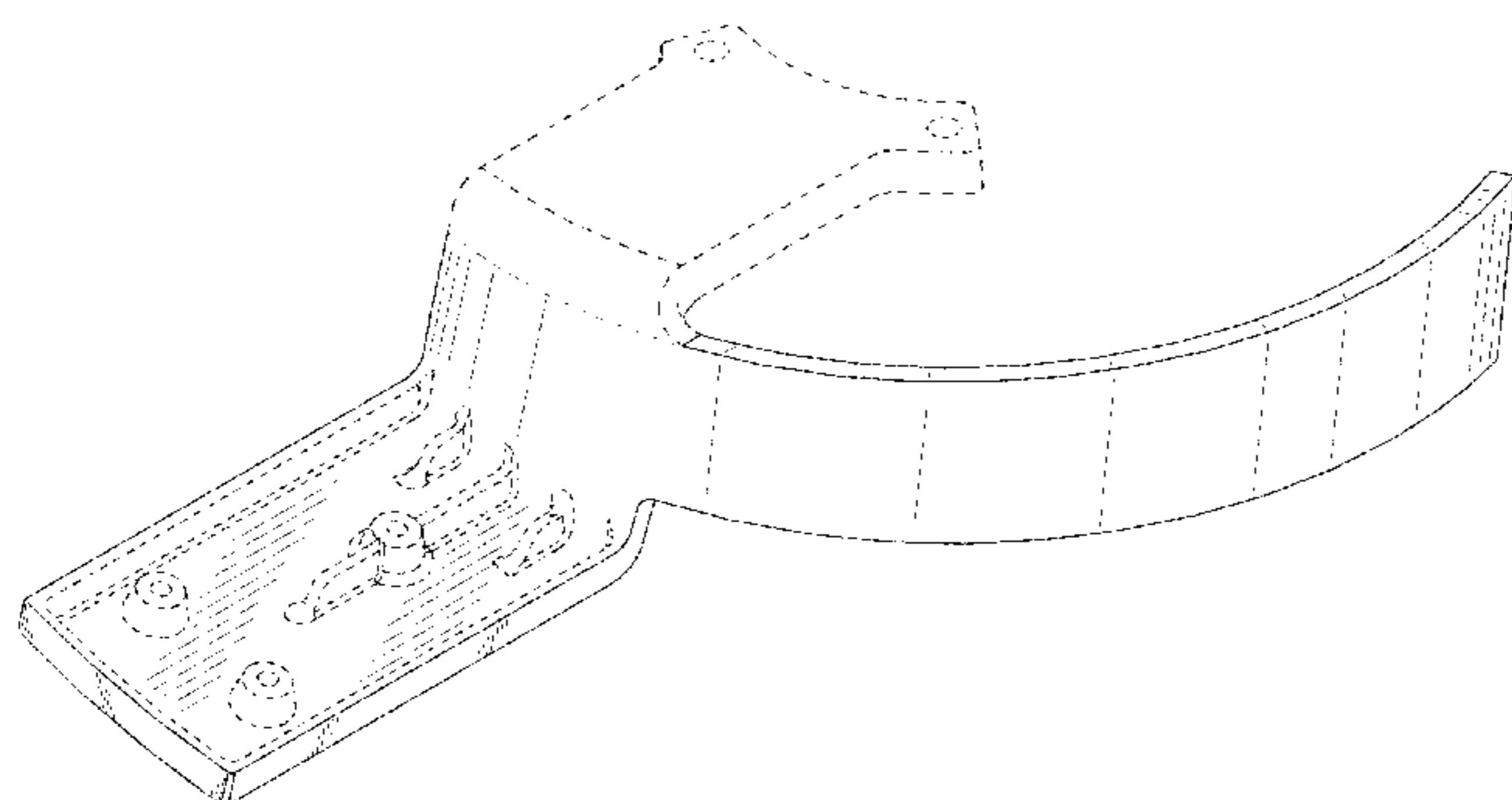
(57) **CLAIM**

The ornamental design for a ceiling fan blade iron, as shown and described.

DESCRIPTION

FIG. 1 is a top perspective view of a ceiling fan blade iron, showing my new design;
FIG. 2 is a front view thereof;
FIG. 3 is a rear view thereof;
FIG. 4 is a left side view thereof;
FIG. 5 is a right side view thereof;
FIG. 6 is a top view thereof; and,
FIG. 7 is a bottom view thereof.
Portions of the ceiling fan blade iron are shown in broken lines. Portions of the ceiling fan blade iron shown in broken lines forms no part of the claim.

1 Claim, 5 Drawing Sheets



(56)

References Cited

U.S. PATENT DOCUMENTS

D527,097 S 8/2006 Ertze
 D528,652 S * 9/2006 Hidalgo D23/411
 D532,104 S * 11/2006 Pickett D23/411
 D533,654 S * 12/2006 Burns D23/411
 D535,014 S 1/2007 Pickett
 D535,384 S * 1/2007 Pickett D23/411
 D535,739 S * 1/2007 Pan D23/411
 D549,315 S 8/2007 Gajewski
 D549,814 S 8/2007 Gajewski
 D551,335 S 9/2007 Gajewski
 D551,337 S * 9/2007 Pickett D23/411
 D551,756 S * 9/2007 Ertze D23/411
 D568,983 S * 5/2008 Pan D23/411
 D572,814 S 7/2008 Bucher et al.
 D572,815 S * 7/2008 Hidalgo D23/411
 D573,245 S * 7/2008 Pan D23/411
 D580,546 S * 11/2008 Smyth D23/411
 D581,515 S * 11/2008 Pickett D23/411
 D588,299 S 3/2009 Sabernig
 D594,549 S * 6/2009 Pan D23/411
 D594,550 S * 6/2009 Pan D23/411
 D598,999 S 8/2009 Hidalgo
 D599,003 S 8/2009 Hidalgo
 D599,459 S 9/2009 Hidalgo
 D613,847 S * 4/2010 Shurtleff D23/411
 D614,758 S * 4/2010 Shurtleff D23/411
 D618,786 S 6/2010 Hidalgo
 D619,238 S 7/2010 Hidalgo
 D620,632 S 7/2010 Wanders
 D627,054 S * 11/2010 Pan D23/411
 D627,872 S * 11/2010 Pan D23/411
 D632,381 S 2/2011 Davenport et al.
 D674,530 S 1/2013 Wanders
 D705,922 S * 5/2014 Wang D23/411
 D706,410 S 6/2014 Pan
 D707,336 S 6/2014 Pan
 D707,347 S * 6/2014 Wang D23/411
 D707,348 S * 6/2014 Pan D23/411
 D739,001 S 9/2015 Crisa'
 D744,080 S * 11/2015 Wang D23/411
 D745,132 S * 12/2015 Shurtleff D23/411
 D745,656 S * 12/2015 Wang D23/411
 D745,960 S * 12/2015 Pickett D23/411
 D773,636 S * 12/2016 Wang D23/411
 D778,427 S * 2/2017 Hidalgo D23/411
 D787,038 S * 5/2017 Badarello D23/411
 D799,683 S * 10/2017 Wang D23/411
 D800,296 S * 10/2017 Wang D23/411
 D804,861 S 12/2017 Failing
 D809,691 S 2/2018 Wang
 D812,217 S * 3/2018 Hidalgo D23/411
 D818,574 S * 5/2018 Hidalgo D23/411
 D827,120 S 8/2018 Crisa'
 D834,700 S * 11/2018 Hidalgo D23/411
 D837,363 S * 1/2019 Schulzman D23/411
 D855,790 S * 8/2019 Badarello D23/411
 D857,877 S * 8/2019 Horng D23/411

2009/0004014 A1* 1/2009 Wang F04D 25/08
 416/210 R
 2009/0004015 A1* 1/2009 Wang F04D 25/088
 416/210 R
 2009/0004016 A1* 1/2009 Wang F04D 25/088
 416/210 R

OTHER PUBLICATIONS

<http://www.kichler.com/products/product/52-inch-vassar-ceiling-fan-ni-300175ni.aspx>, Item Specification for 52" Vassar ceiling Fan NI, Accessed Oct. 25, 2016.
<http://ceilingfans.emerson.com/shop/en/fan/fan-s-all/fans-s-browse-all/52-curved-fan-p-cf252>, Item Specification for 52" Curva, Accessed Oct. 25, 2016.
<http://www.quoruminternational.com/index.cfm/app/productDetail?product=21542-14>, Item Specification for Muse Ch—Chrome Ceiling Fan, Accessed Oct. 25, 2016.
<http://www.hunterfan.com/Ceiling-Fans/Leoni?ModelNumber=59220>, Item Specification for Leoni—48" Ceiling Fan, Accessed Oct. 26, 2016.
<http://www.casablancafanco.com/Ceiling-Fans/Aris?ModelNumber=59123>, Item Specification for Aris 54" Ceiling Fan, Accessed Oct. 26, 2016.
<http://www.fanimation.com/products/index.php/blades/18-inch-inlet-composite-blade-set.html>, Item Specification for Fanimation 18" Inlet Composite Blade Set, Accessed Oct. 26, 2016.
<http://www.hunterfan.com/Ceiling-Fans/Windemere?ModelNumber=59039>, Item Specification for Windemere—54" Ceiling Fan, Accessed Oct. 26, 2016.
<http://www.hunterfan.com/Ceiling-Fans/Acadia?ModelNumber=59171>, Item Specification for Acadia—46" Ceiling Fan, Accessed Oct. 26, 2016.
<http://www.craftmade.com/Craftmade-FA52BN5-Nickel-Ceiling-Fan.HTM>, Item Specification for Craftmade 5th Avenue, Accessed Oct. 26, 2016.
<http://www.quoruminternational.com/index.cfm/app/productDetail?product=42523-86>, Item Specification for Bronx Ob—Oiled Bronze Ceiling Fan, Accessed Oct. 26, 2016.
<http://www.craftmade.com/Craftmade-PU52SS5-Stainless-Steel-Ceiling-Fan.HTM>, Item Specification for Craftmade Pulsar Stainless Steel Finish, Accessed Oct. 26, 2016.
http://www.cens.com/cens/html/en/product/product_main_77131.html, Item Specification for Pluto-iFan Series, Accessed Oct. 26, 2016.
<http://www.houzz.com/photos/11393084/Kichler-300121OBB-46-Inch-Eva-Fan-transitional-ceiling-fans>, Item Specification for Kichler 300121OBB 46" Eva Fan, Accessed Oct. 26, 2016.
<http://www.minkagroup.net/minka-aire/fans>, Item Specification for Minka Aire Java 54" Ceiling Fan in Brushed Nickel, Accessed Oct. 26, 2016.
<http://www.fanimation.com/products/index.php/blades/60-inch-buttonwood-blade-set-351.html>, Item Specification for Fanimation 60-Inch Distinction Buttonwood Blade Set, Accessed Oct. 26, 2016.
<http://www.casablancafanco.com/Ceiling-Fans/Verse?ModelNumber=59160>, Item Specification for Casablanca Verse 54" Ceiling Fan, Accessed Oct. 26, 2016.
<http://www.kichler.com/products/product/52-inch-lacey-ceiling-fan-oz-300181oz.aspx>, Item Specification for Kichler 52" Lacey Ceiling Fan OZ, Accessed Oct. 26, 2016.

* cited by examiner

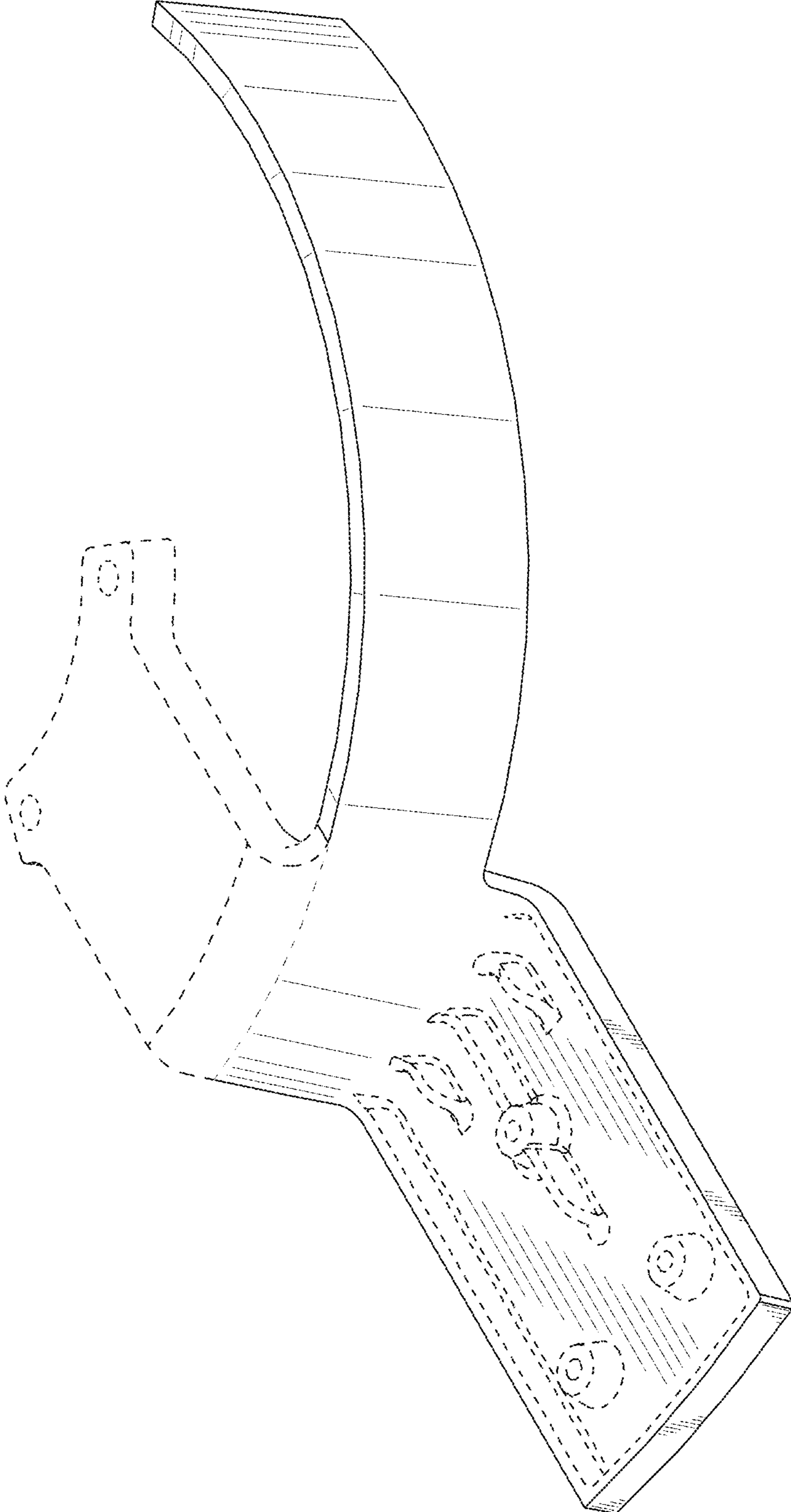


FIG. 1

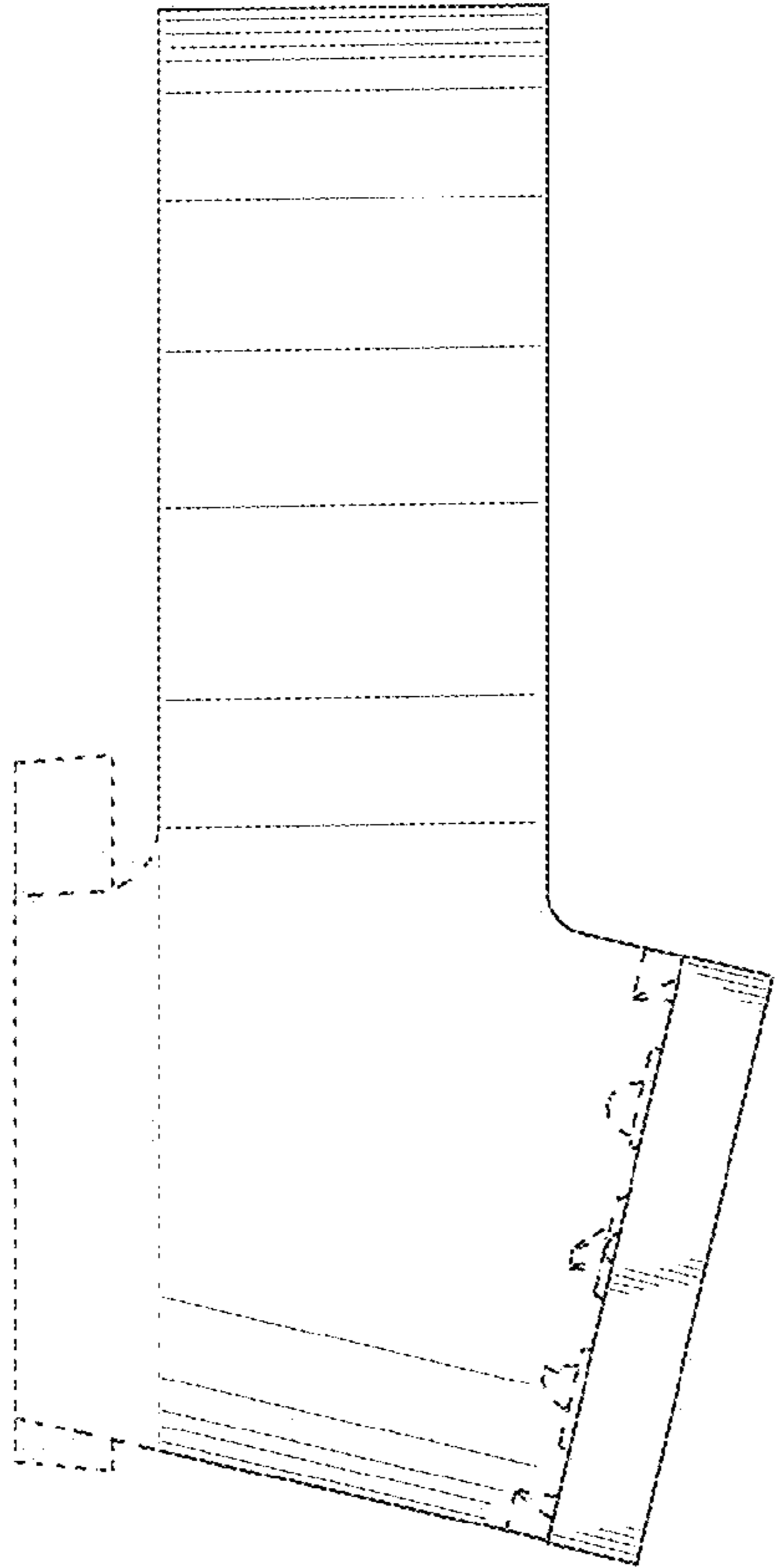


FIG. 2

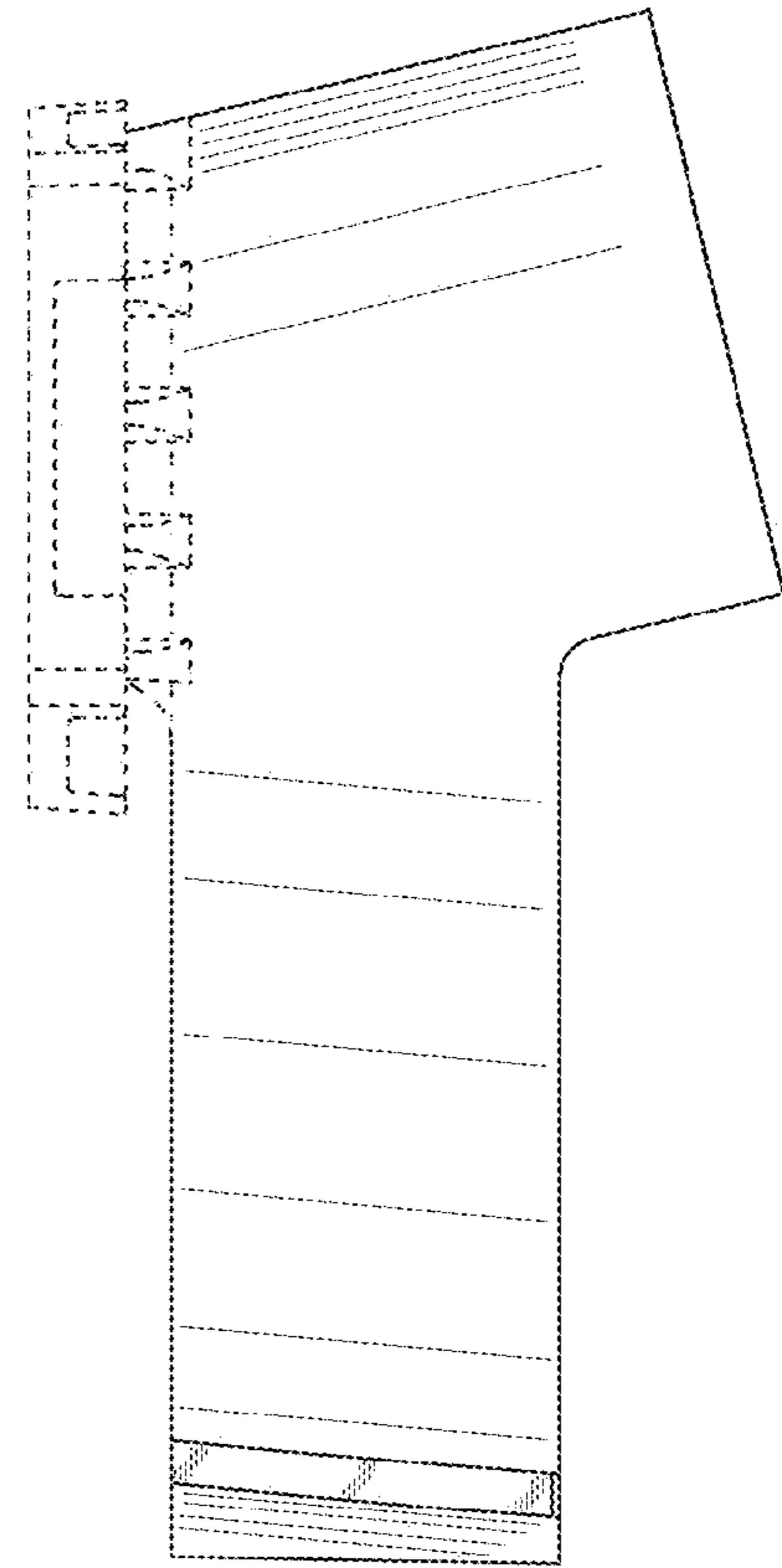


FIG. 3

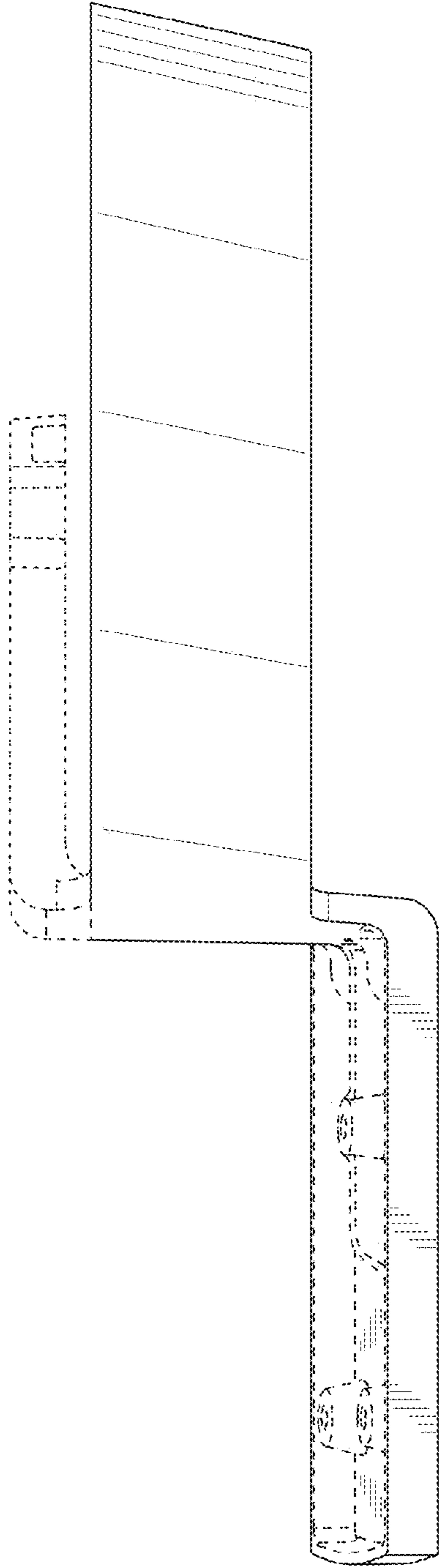


FIG. 4

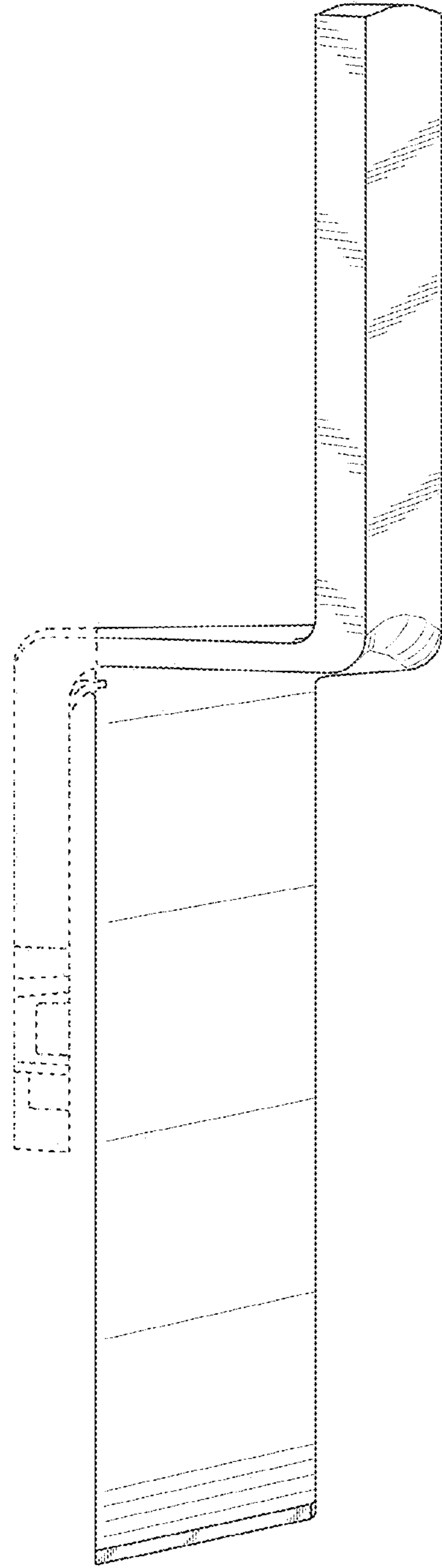


FIG. 5

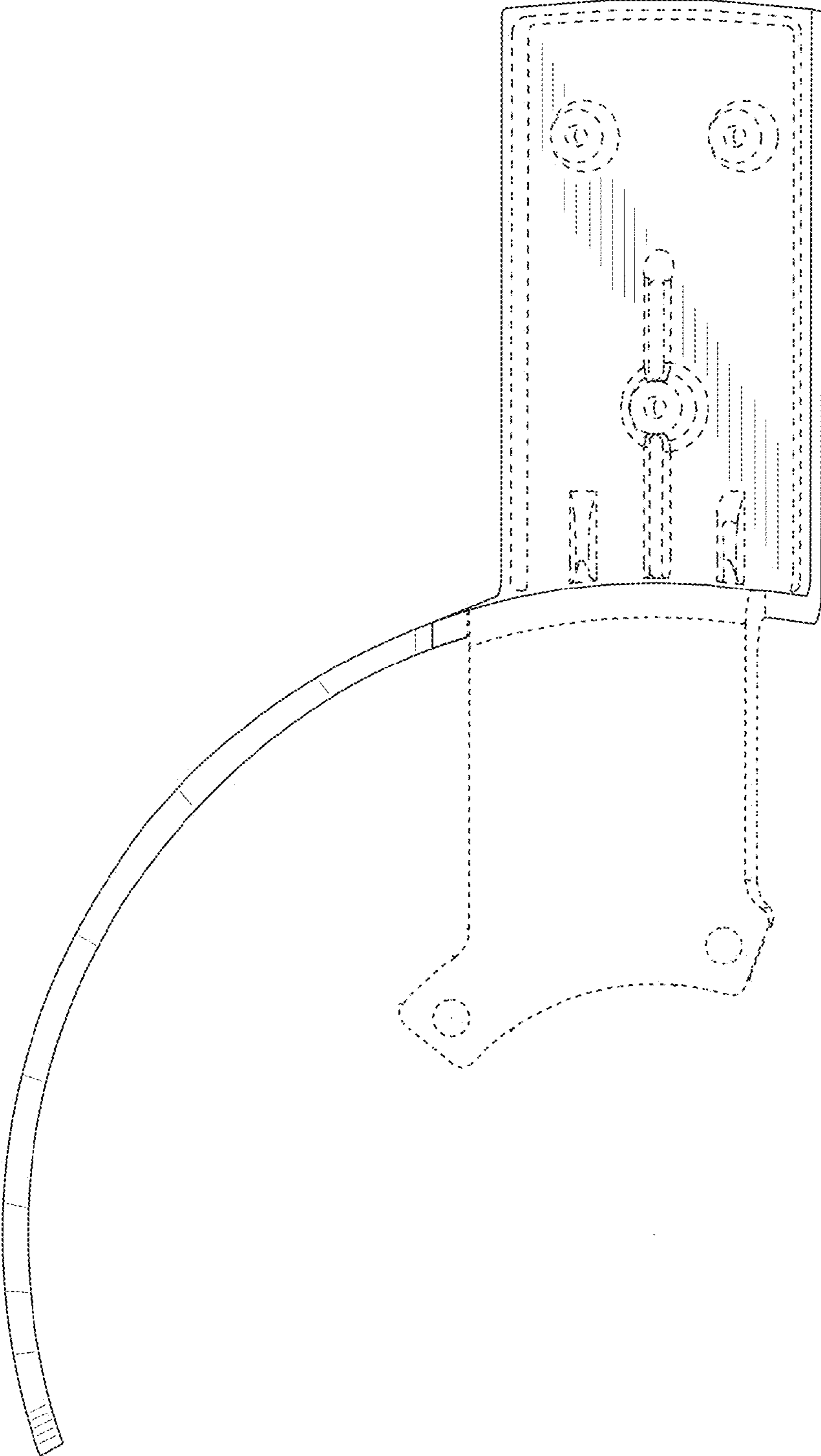


FIG. 6

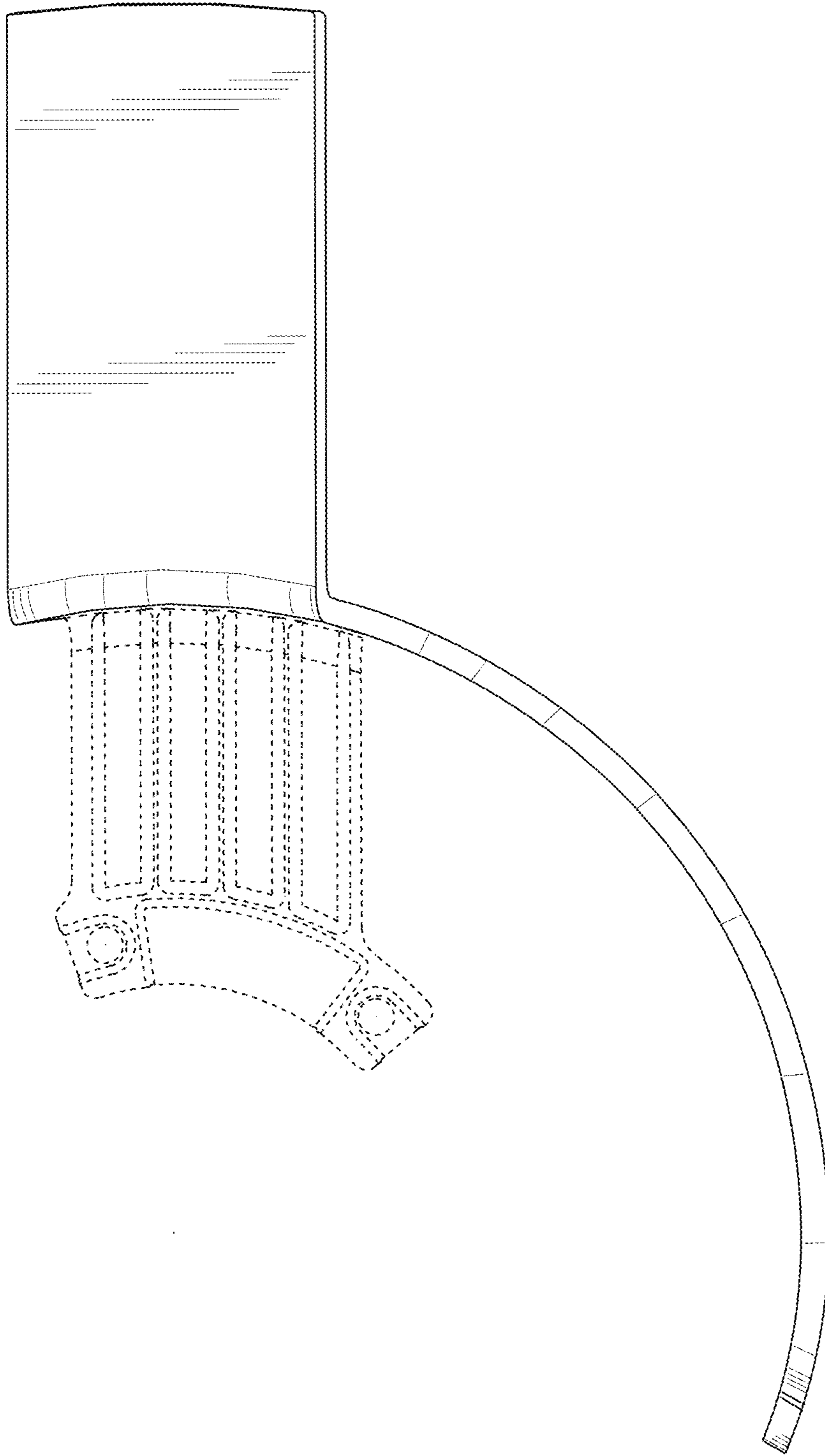


FIG. 7