



US00D893700S

(12) **United States Design Patent**
Israel et al.

(10) **Patent No.:** **US D893,700 S**

(45) **Date of Patent:** **** Aug. 18, 2020**

(54) **FAN BASE**

(71) Applicant: **Vornado Air, LLC**, Andover, KS (US)

(72) Inventors: **Gary P. Israel**, Andover, KS (US);
Brian M. Cartwright, Wichita, KS
(US); **Joshua S. Weed**, Wichita, KS
(US)

(73) Assignee: **Vornado Air, LLC**, Andover, KS (US)

(**) Term: **15 Years**

(21) Appl. No.: **29/657,832**

(22) Filed: **Jul. 25, 2018**

(51) **LOC (12) Cl.** **23-03**

(52) **U.S. Cl.**
USPC **D23/411**

(58) **Field of Classification Search**
USPC D23/370–386, 393, 411–414, 351–354,
D23/332–337, 366–369; D6/300,
D6/308–309, 312; D26/61, 63, 142
CPC F04D 5/00; F04D 27/00; F04D 29/329
See application file for complete search history.

(56) **References Cited**

U.S. PATENT DOCUMENTS

D115,344 S *	6/1939	Chapman	D23/411
D291,352 S *	8/1987	Kouno	D23/378
D325,435 S *	4/1992	Coup	D23/411
D329,696 S *	9/1992	Ediger	D23/411
D337,819 S *	7/1993	Cunning	D23/382
D354,558 S *	1/1995	Marvin	D23/332
D397,192 S *	8/1998	Chiu	D23/328
D398,983 S *	9/1998	Keller	D23/381
D413,664 S *	9/1999	Keller	D23/381
D429,808 S *	8/2000	Krauss	D23/370

D441,068 S *	4/2001	Bogazzi	D23/411
D442,274 S *	5/2001	Lee	D23/411
D466,606 S *	12/2002	Shapiro	D23/411
D510,994 S *	10/2005	Indio Da Costa	D23/382
D544,595 S *	6/2007	Kung	D23/328
D547,854 S *	7/2007	Russak	D23/380
D566,830 S *	4/2008	Lewis	D23/411
D567,934 S *	4/2008	Shapiro	D23/411
D570,469 S *	6/2008	Hsu	D23/411
D688,781 S *	8/2013	Vallinan	D23/355
D692,996 S *	11/2013	Alexander	D23/370
D818,111 S *	5/2018	Ediger	D23/411
D841,146 S *	2/2019	Cui	D23/411
D857,876 S *	8/2019	Ye	D23/411
D859,627 S *	9/2019	Ying	D23/370

* cited by examiner

Primary Examiner — Cathron C Brooks

Assistant Examiner — Sharon S Oum

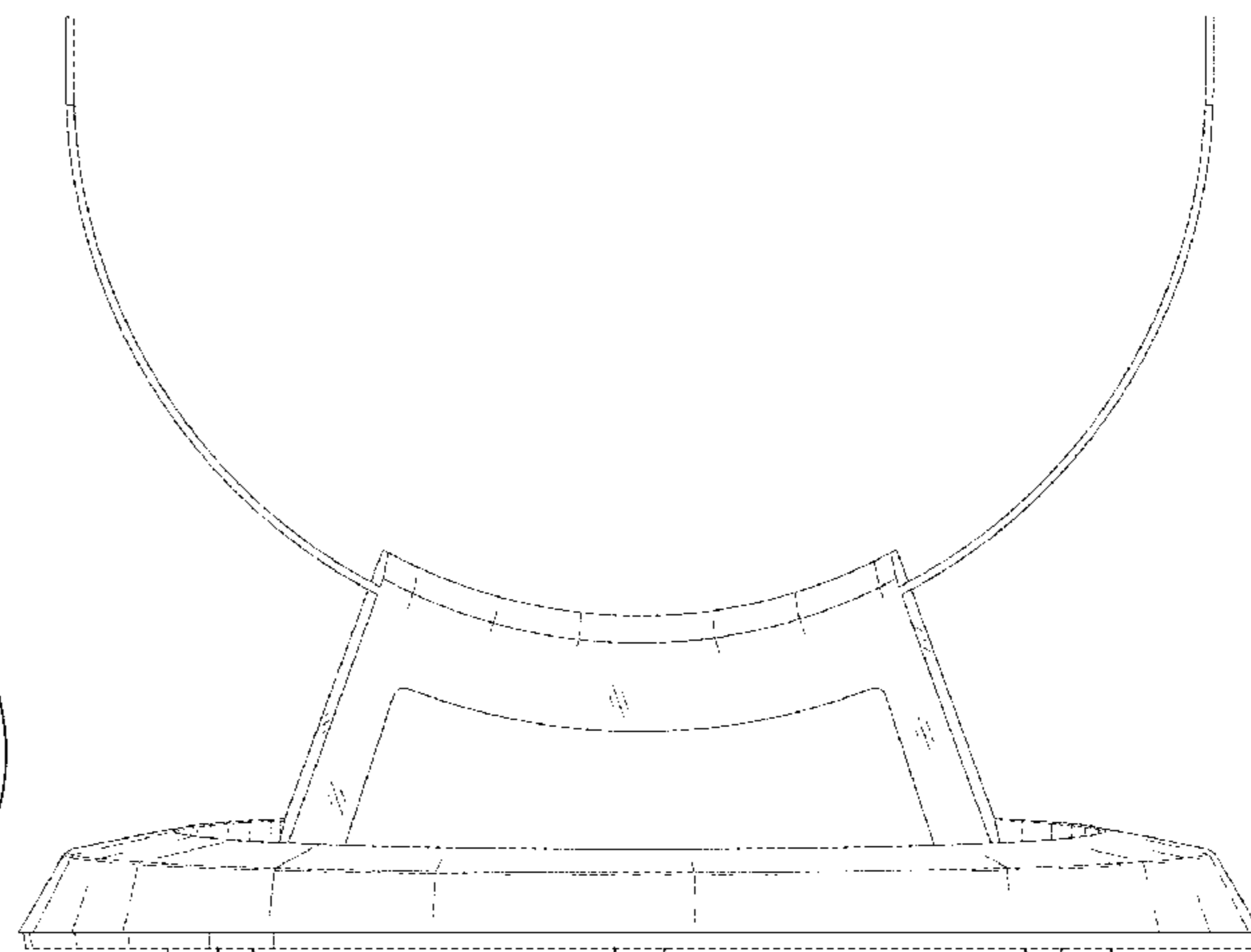
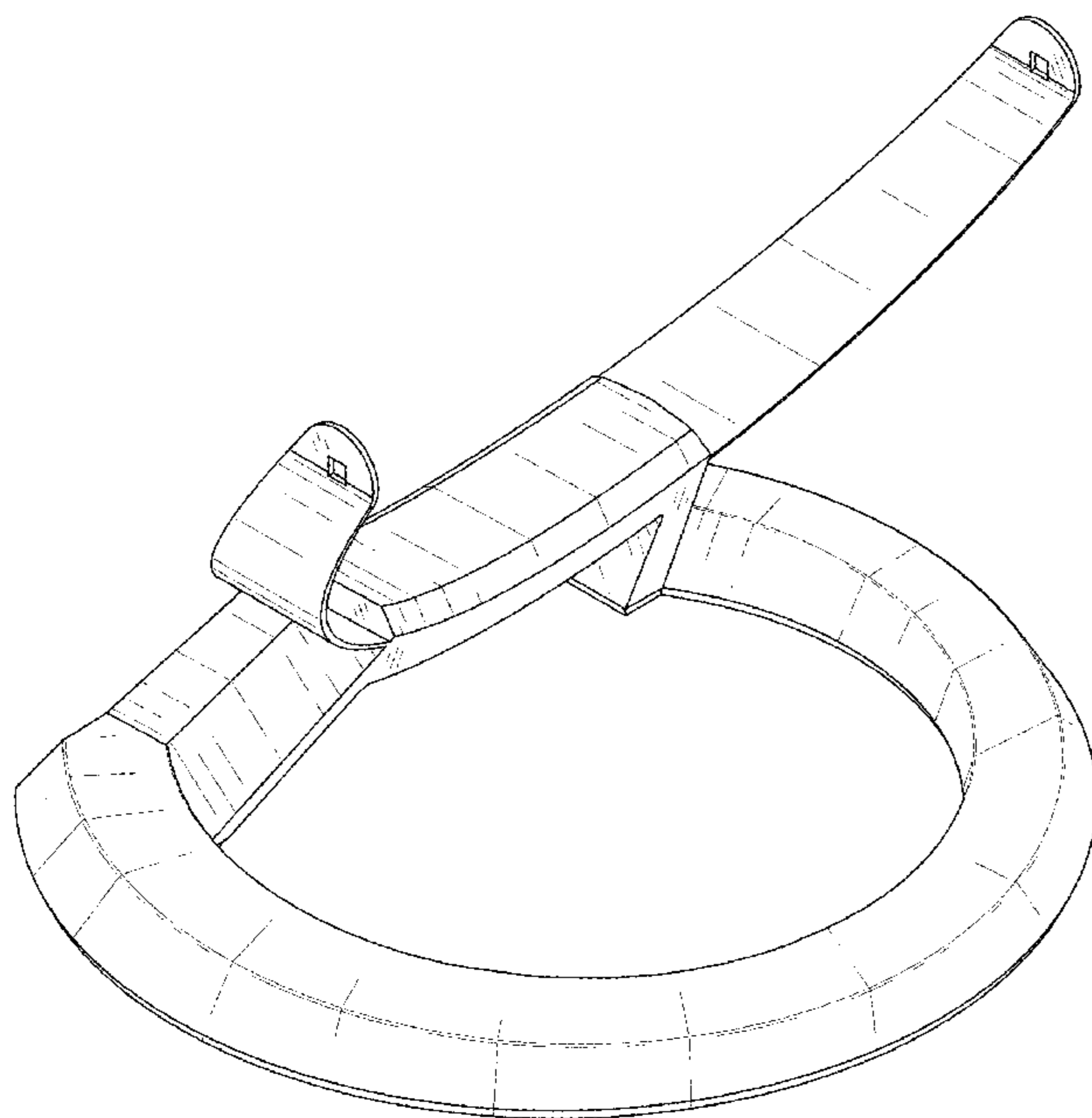
(57) **CLAIM**

The ornamental design for a fan base, as shown and described.

DESCRIPTION

FIG. 1 is a right, front, top perspective view of a fan base in accordance with the present invention; FIG. 2 is a front elevation view thereof; FIG. 3 is a rear elevation view thereof; FIG. 4 is a left-side elevation view thereof; FIG. 5 is a right-side elevation view thereof; FIG. 6 is a top plan view thereof; FIG. 7 is a bottom plan view thereof; and, FIG. 8 is a bottom, left, front perspective view thereof. The broken lines in the figures depict portions of the fan base that form no part of the claimed design.

1 Claim, 8 Drawing Sheets



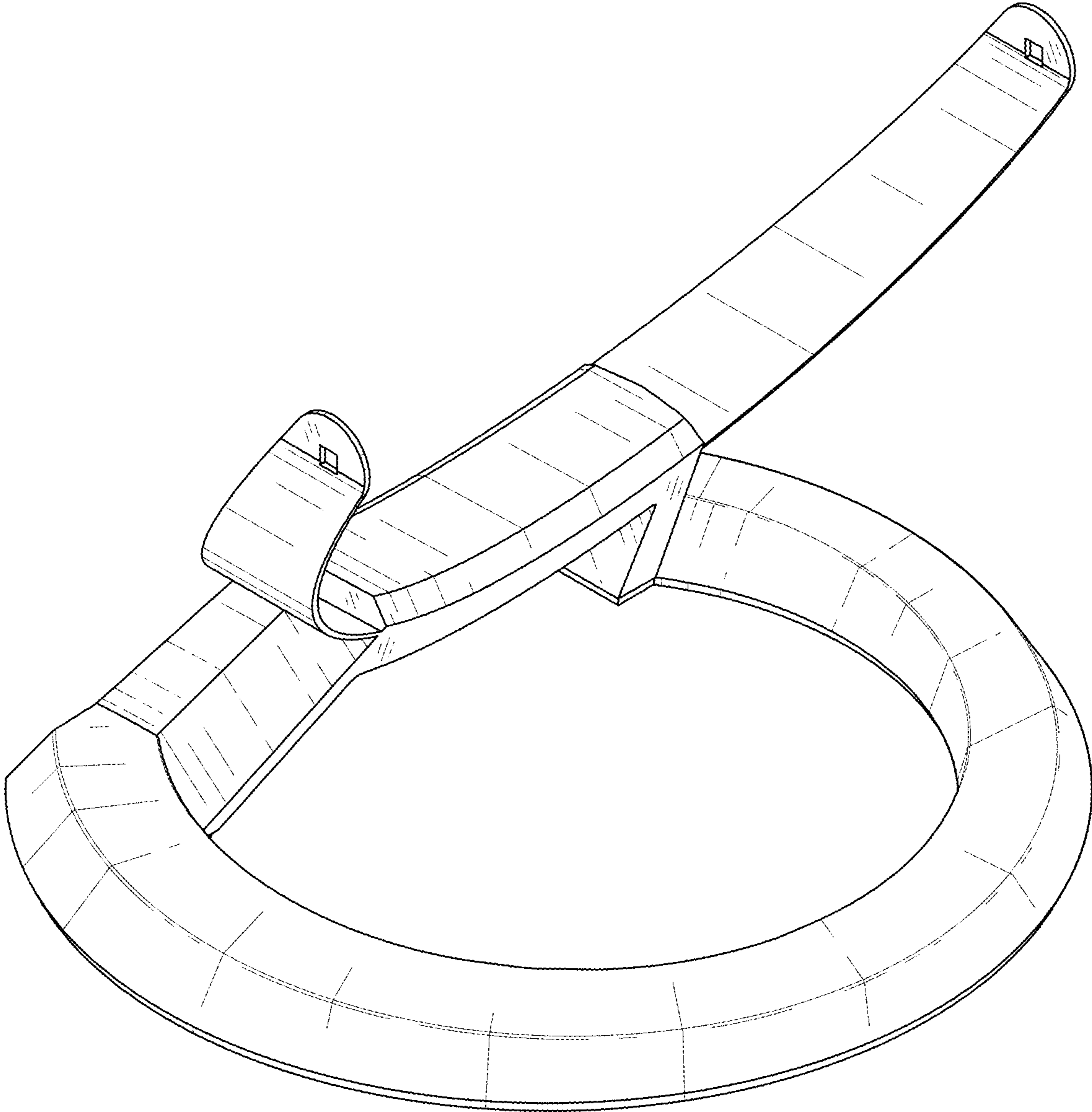


FIG. 1

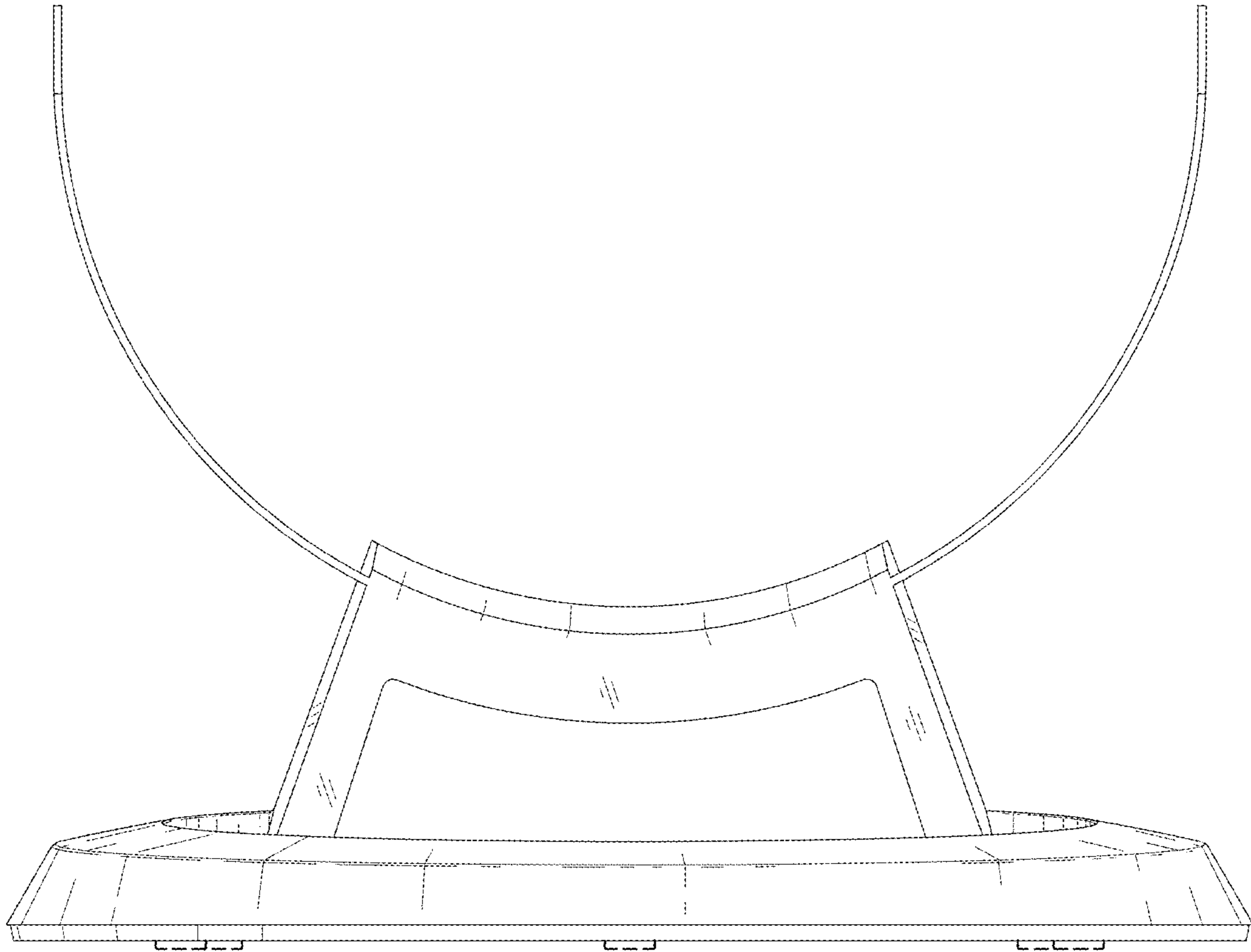


FIG. 2

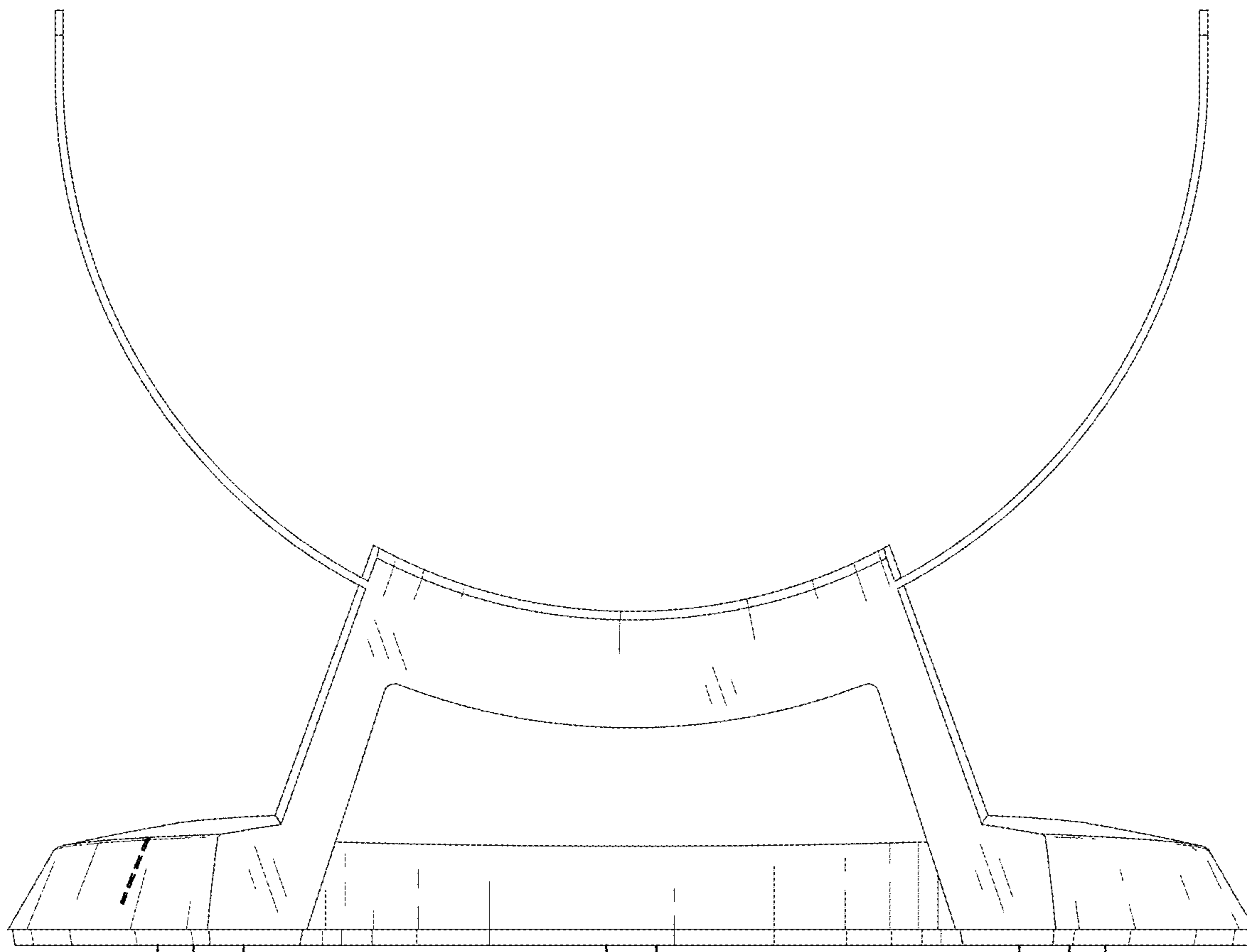


FIG. 3

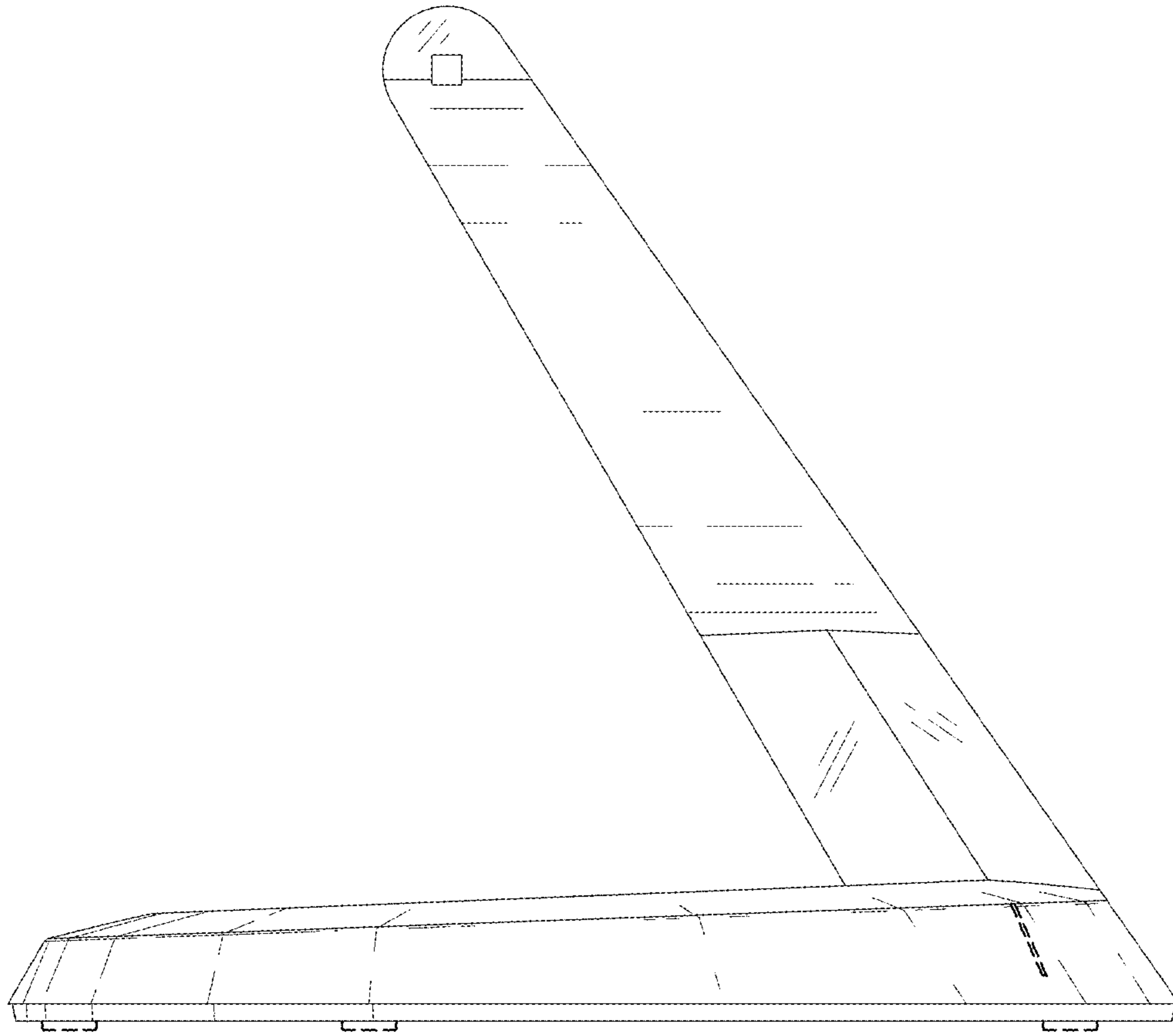


FIG. 4

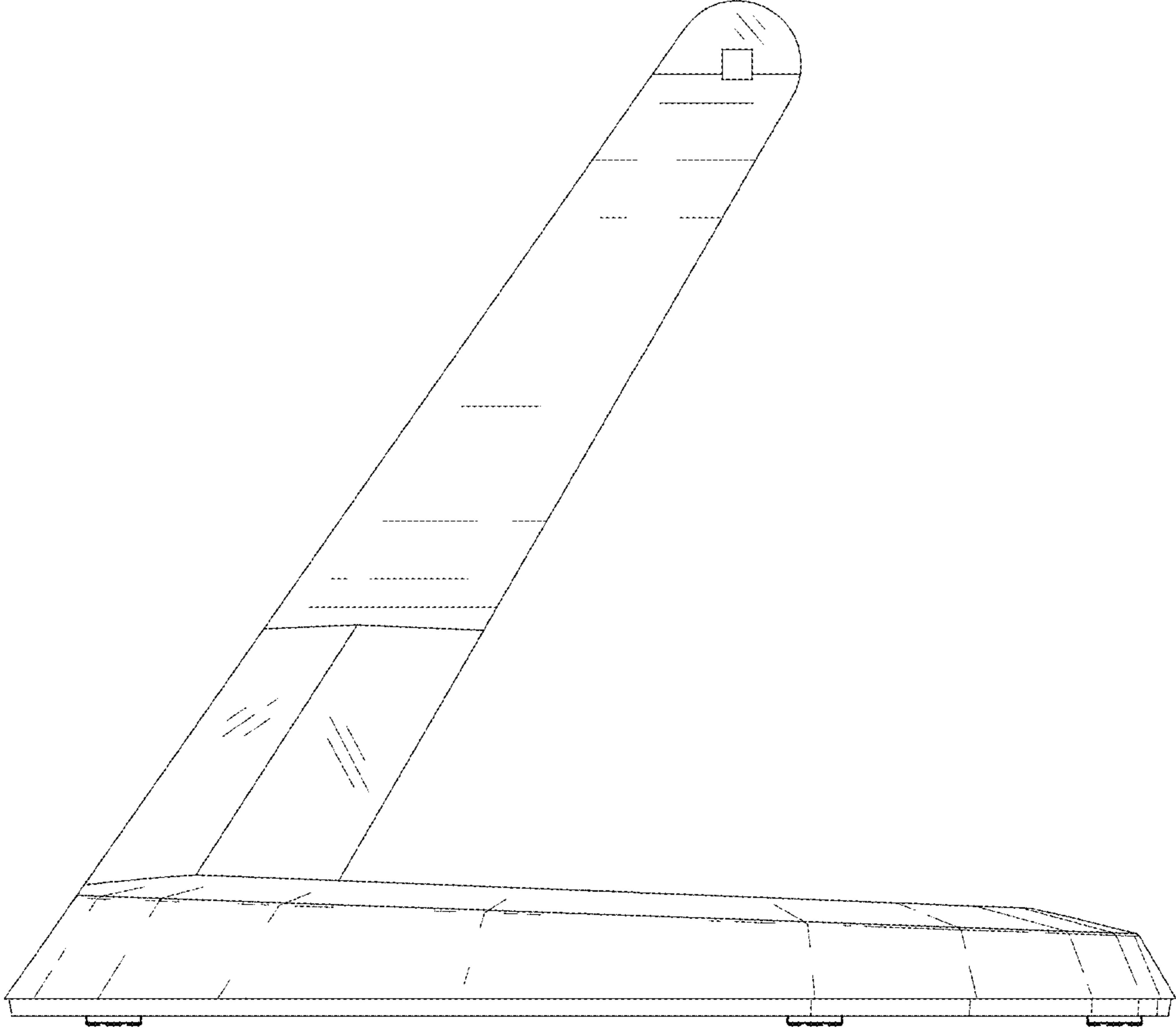


FIG. 5

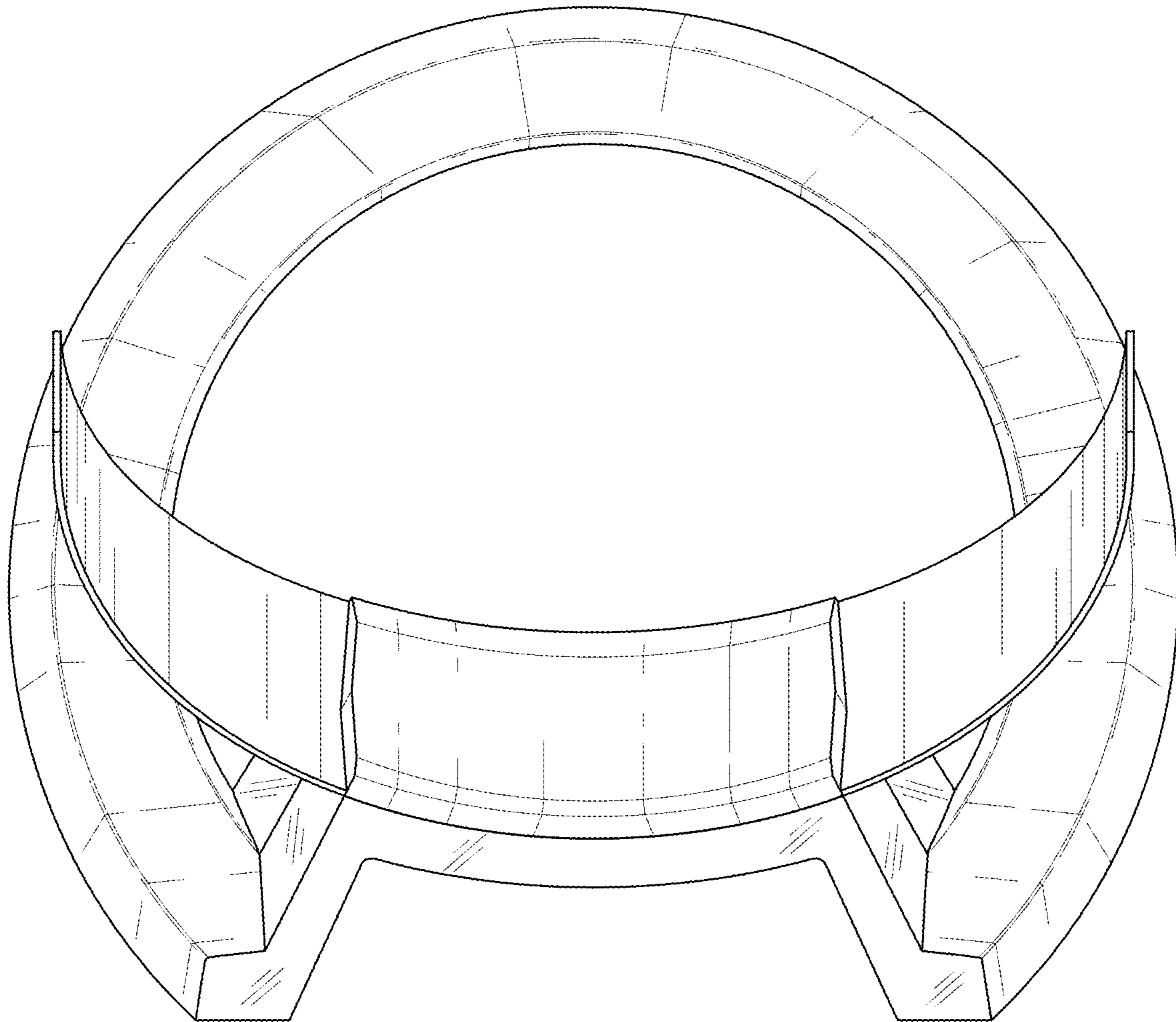


FIG. 6

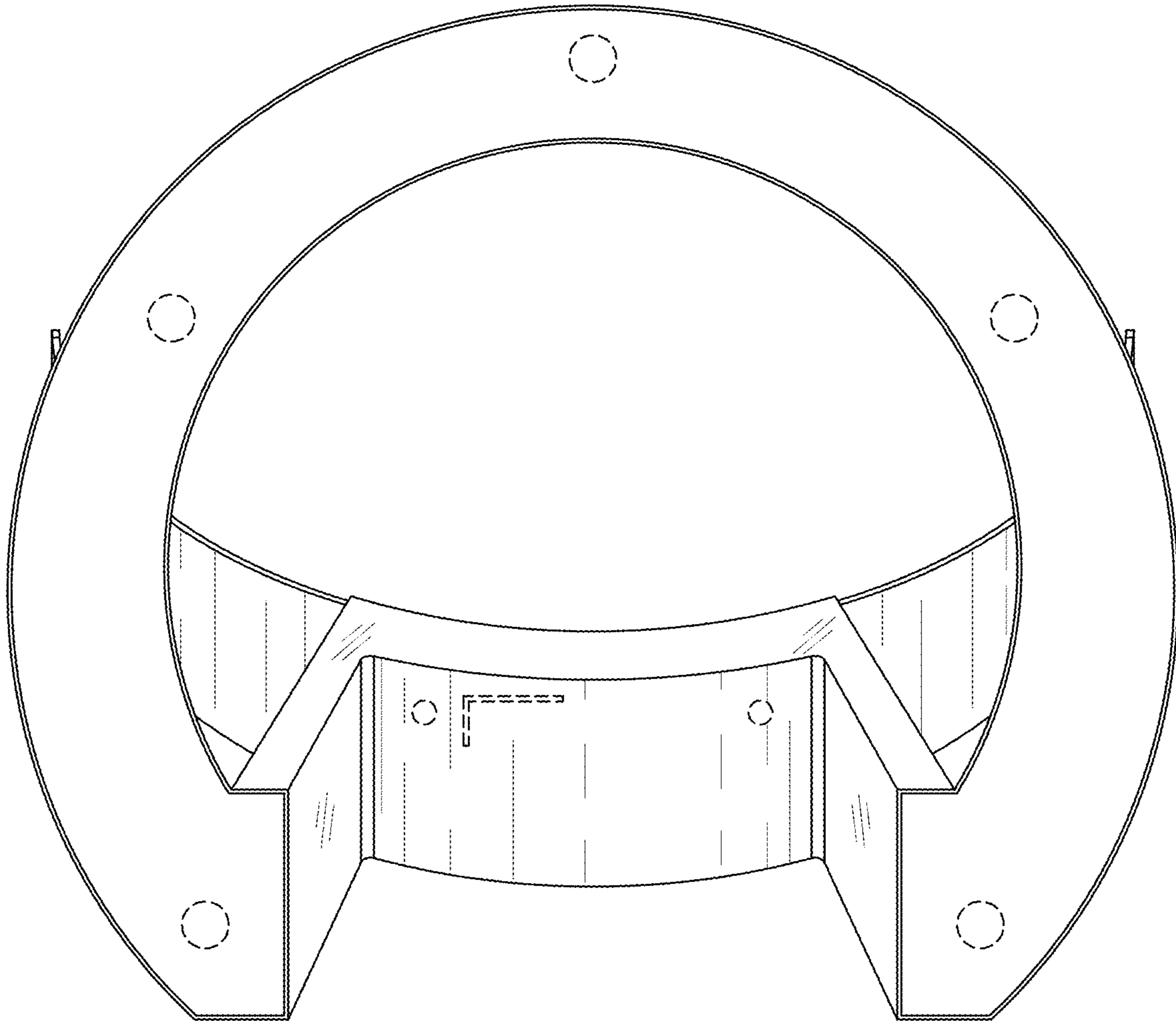


FIG. 7

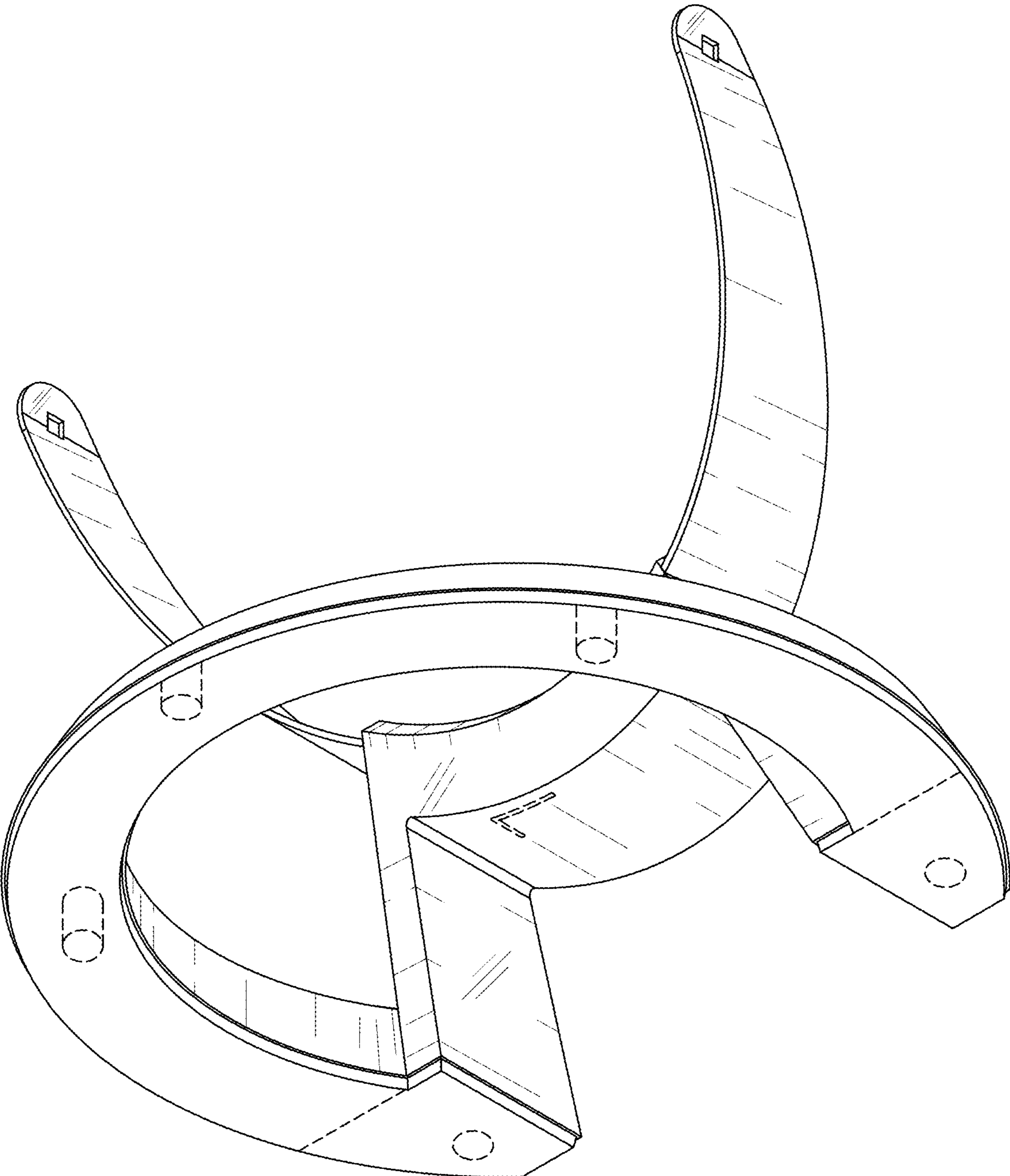


FIG. 8