



US00D893699S

(12) **United States Design Patent**
Zhu

(10) **Patent No.:** **US D893,699 S**

(45) **Date of Patent:** **** Aug. 18, 2020**

(54) **FAN**

(71) Applicant: **SHENZHEN SMILE TECHNOLOGY CO., LTD**, Shenzhen (CN)

(72) Inventor: **Han Zhu**, Jixi (CN)

(73) Assignee: **SHENZHEN SMILE TECHNOLOGY CO., LTD**, Shenzhen (CN)

(**) Term: **15 Years**

(21) Appl. No.: **29/727,759**

(22) Filed: **Mar. 13, 2020**

(51) **LOC (12) Cl.** **23-04**

(52) **U.S. Cl.**
USPC **D23/382**

(58) **Field of Classification Search**
USPC D26/59; D23/370–385, 411–414
CPC F04D 25/088; F04D 29/38; F21V 21/03; B63H 1/16
See application file for complete search history.

(56) **References Cited**

U.S. PATENT DOCUMENTS

- 6,155,782 A * 12/2000 Hsu F04D 25/084 415/126
- D669,976 S * 10/2012 Hsu D23/382
- D727,488 S * 4/2015 Hsu D23/382
- D770,033 S * 10/2016 Ksiazek D23/411

- D837,963 S * 1/2019 Xu D23/382
- D841,796 S * 2/2019 Freeland D23/382
- D855,171 S * 7/2019 Xu D23/382
- 10,436,206 B2 * 10/2019 Freeland F04D 29/644
- D865,937 S * 11/2019 Lin D23/382
- D879,283 S * 3/2020 Liao D23/382
- D884,868 S * 5/2020 Chen D23/382
- D885,554 S * 5/2020 Puglia, Sr. D23/379
- D885,555 S * 5/2020 Wang D23/382
- 2012/0014805 A1 1/2012 Hsuen
- 2013/0004330 A1 1/2013 He et al.
- 2018/0355875 A1 12/2018 Freeland et al.

* cited by examiner

Primary Examiner — Janice Hallmark

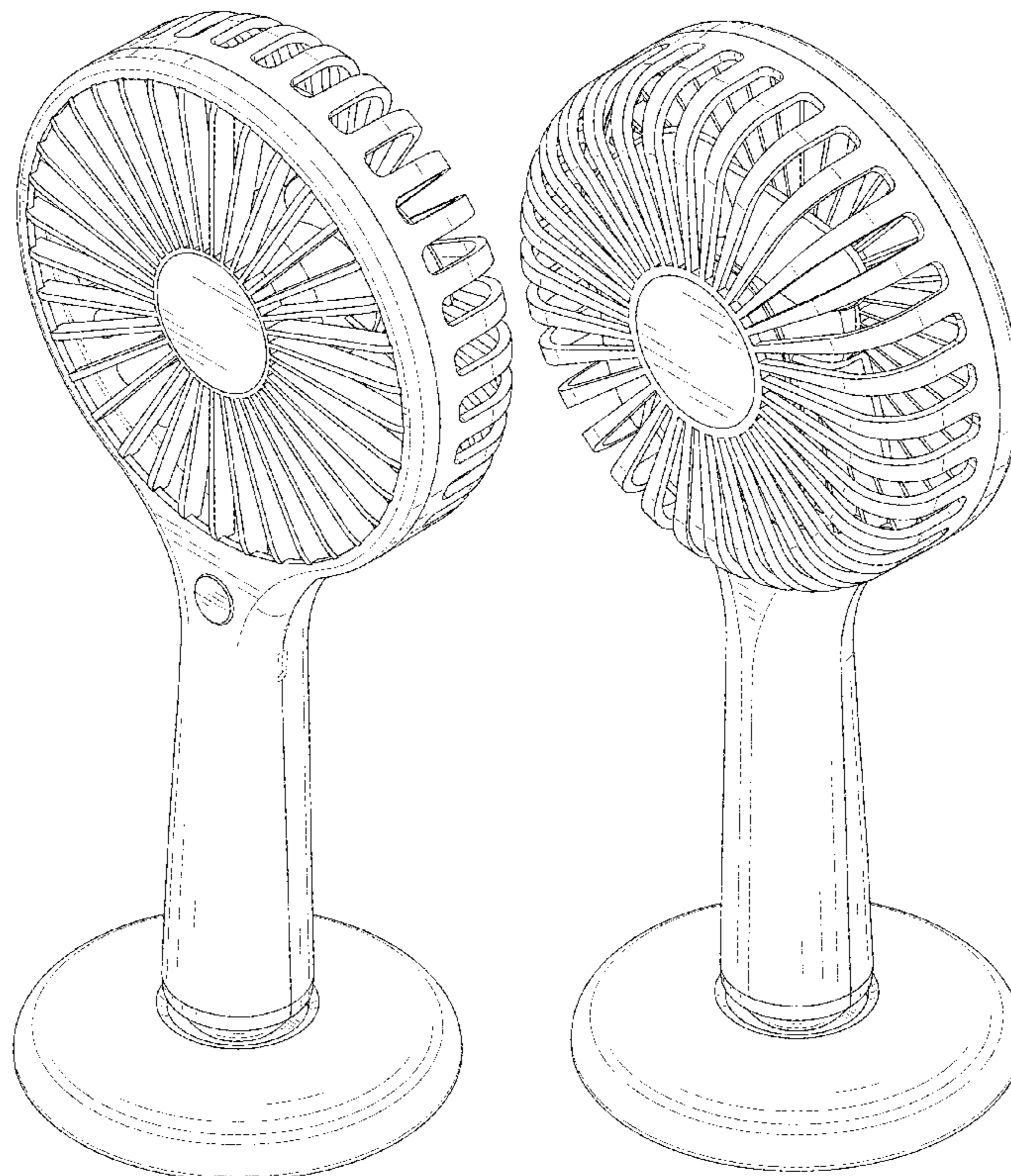
(57) **CLAIM**

The ornamental design for a fan, as shown and described.

DESCRIPTION

FIG. 1 is a perspective view of a fan showing my new design;
 FIG. 2 is another perspective view thereof;
 FIG. 3 is a front elevational view thereof;
 FIG. 4 is a rear elevational view thereof;
 FIG. 5 is a left side elevational view thereof;
 FIG. 6 is a right side elevational view thereof;
 FIG. 7 is a top plan view thereof; and,
 FIG. 8 is a bottom plan view thereof.
 The broken lines in the drawings depict boundaries of the fan that form no part of the claimed design.

1 Claim, 8 Drawing Sheets



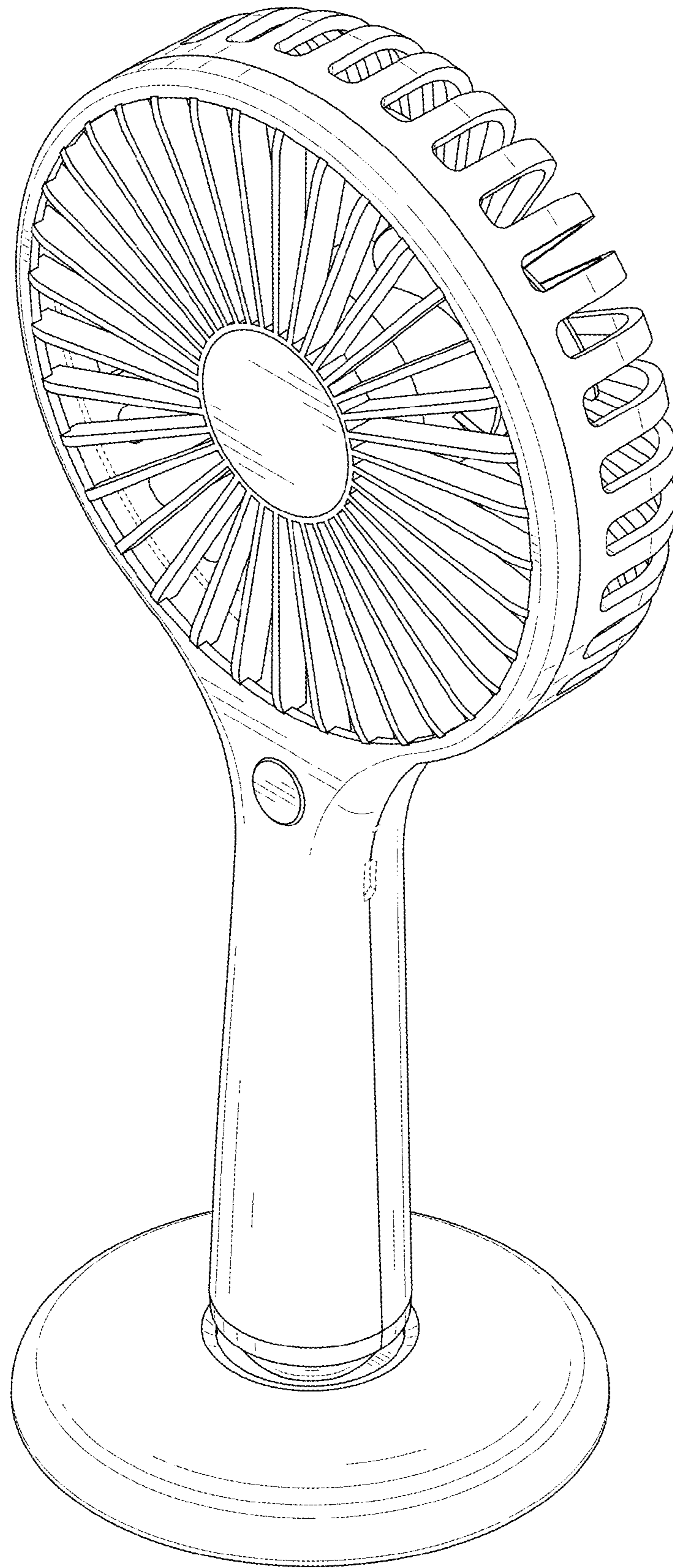


FIG. 1

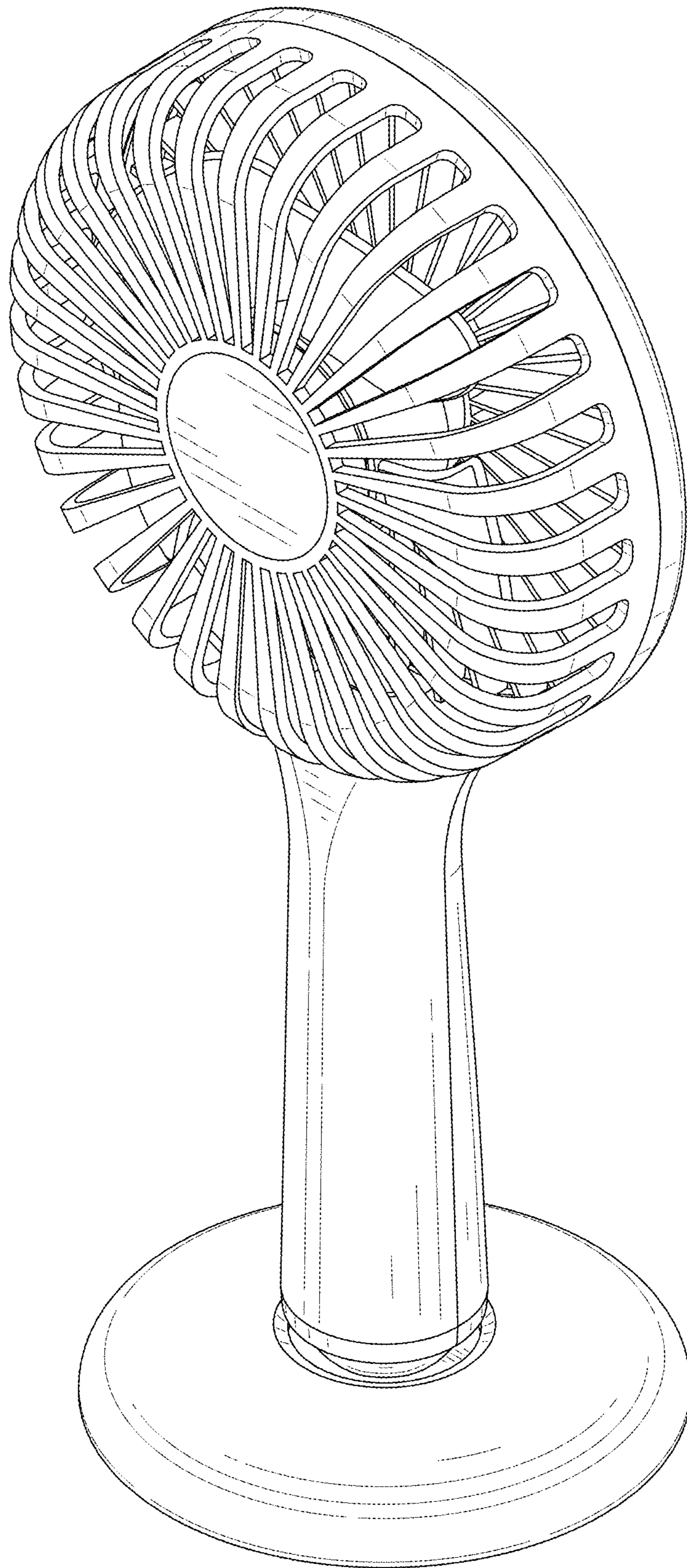


FIG. 2

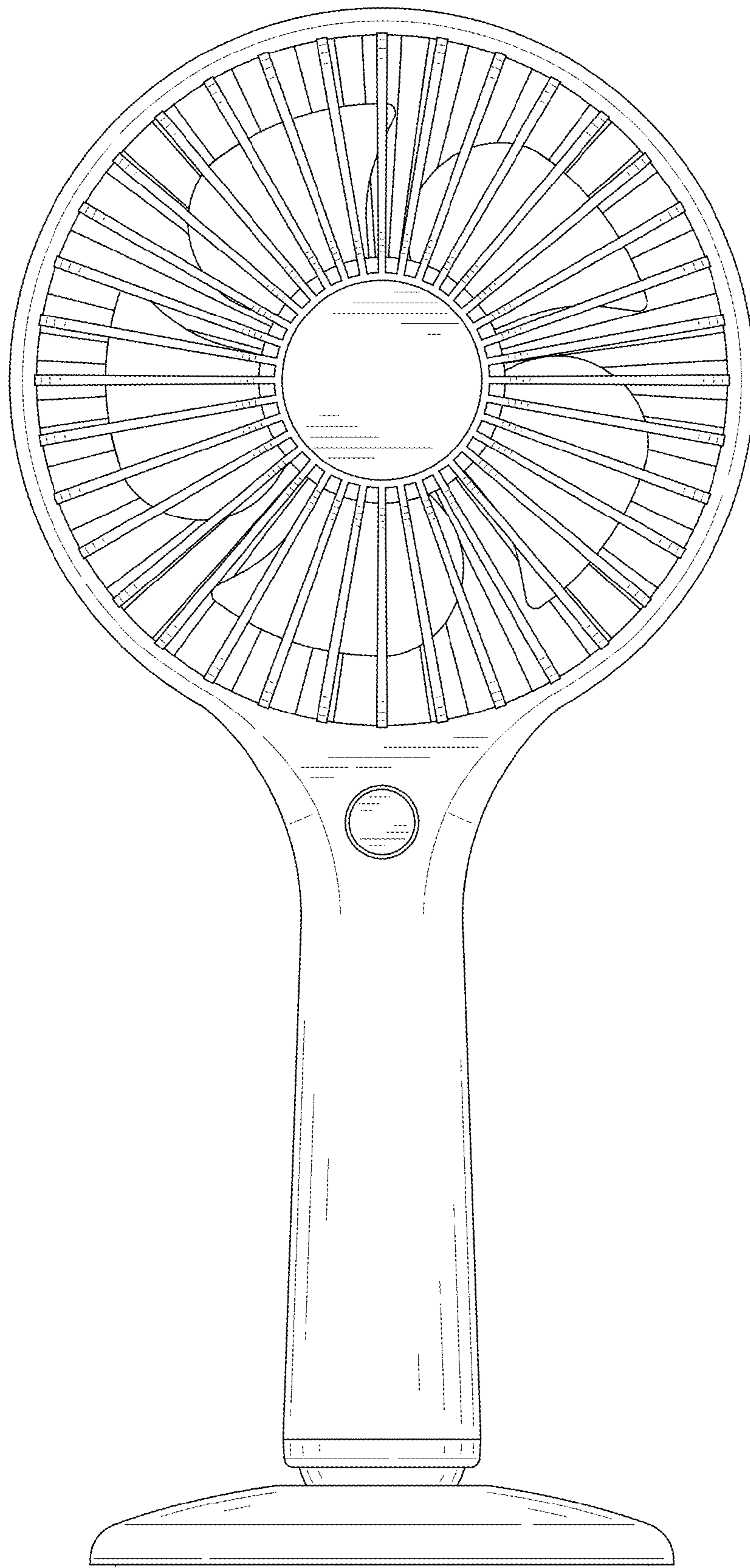


FIG. 3

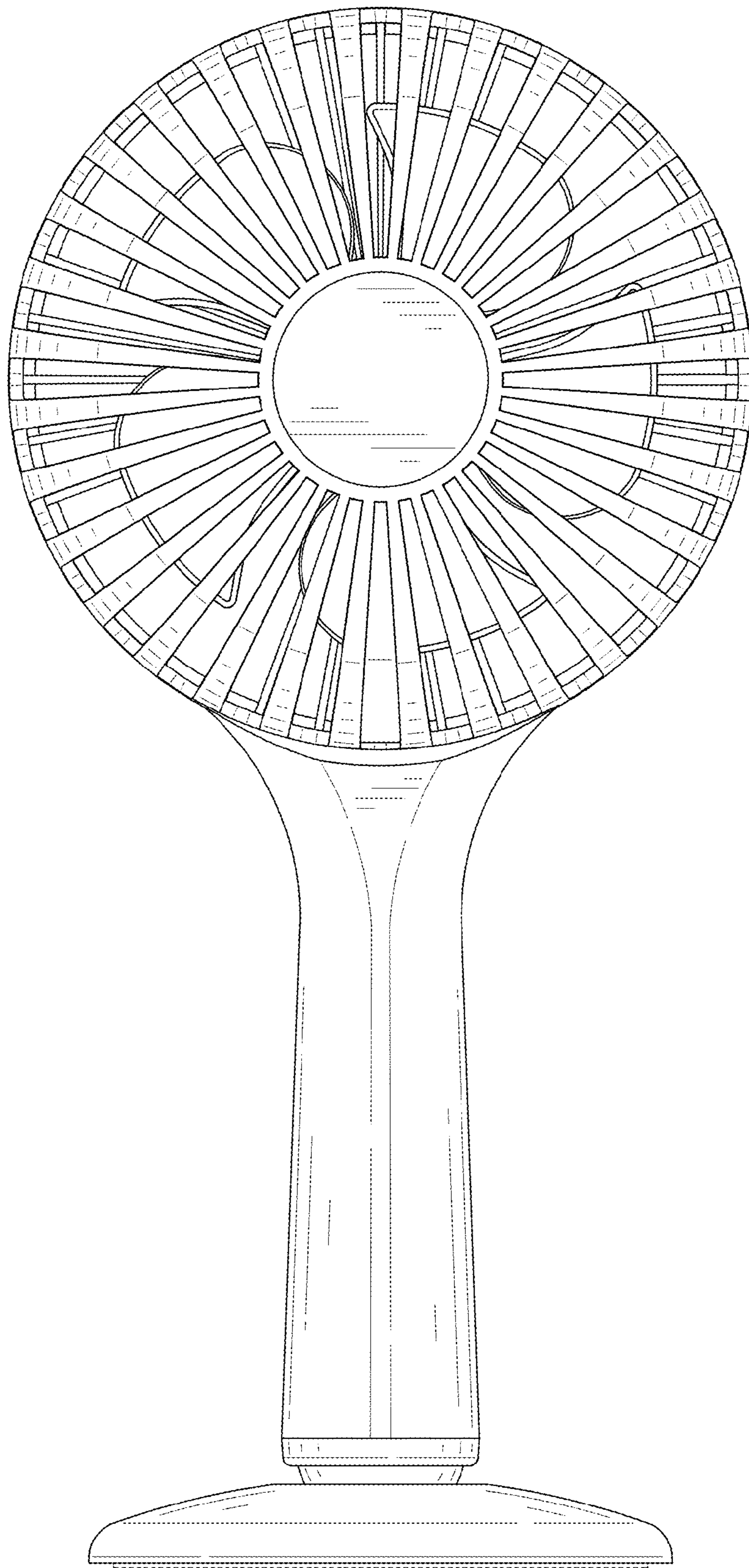


FIG. 4

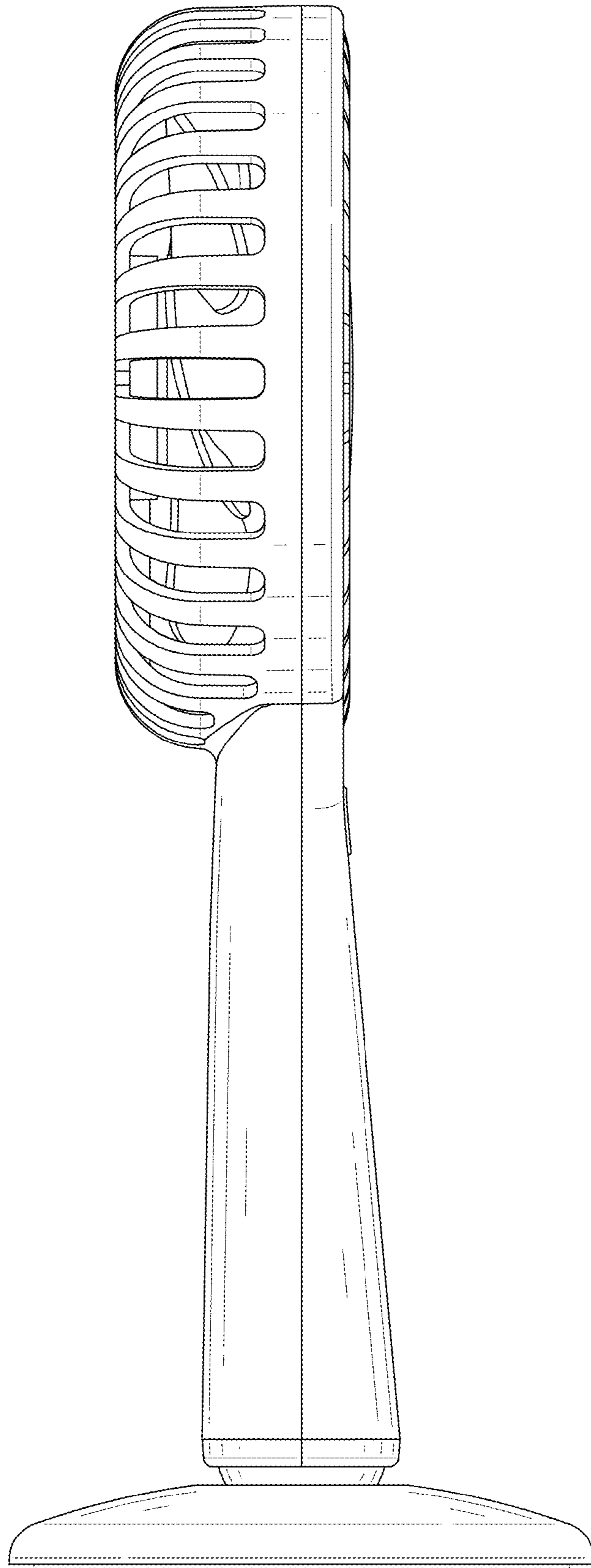


FIG. 5

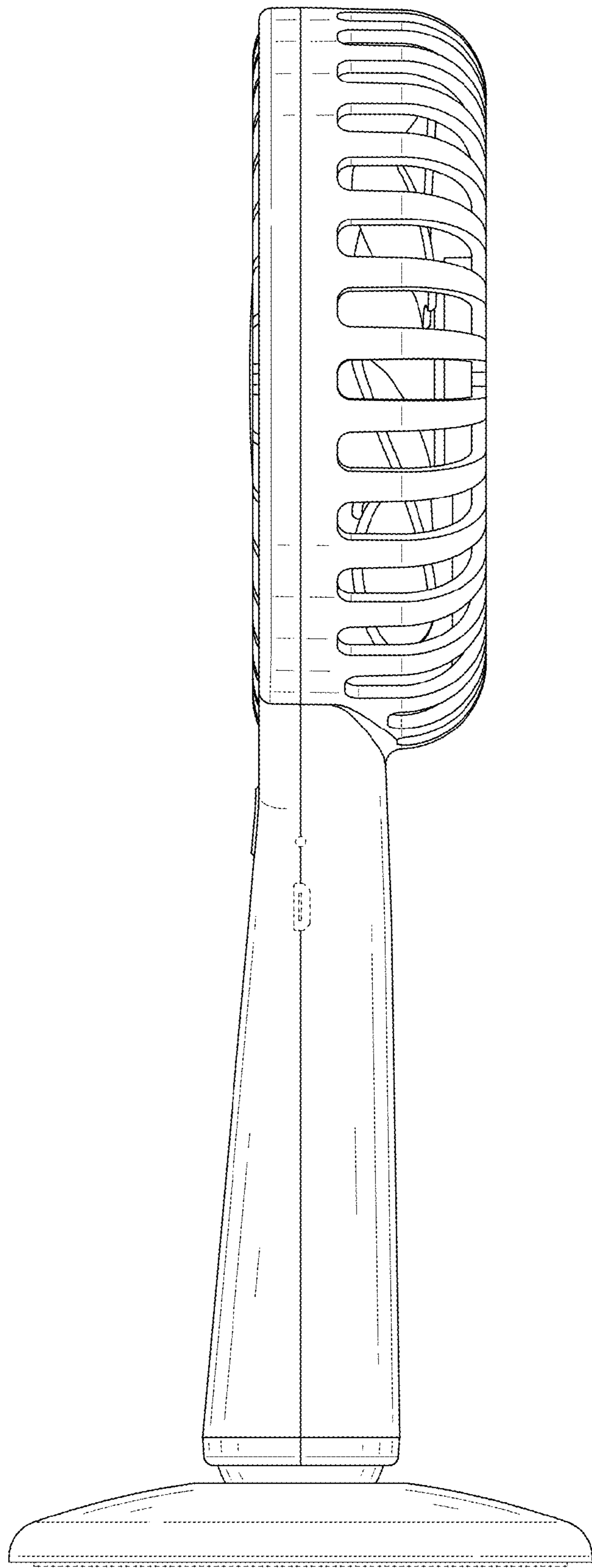


FIG. 6

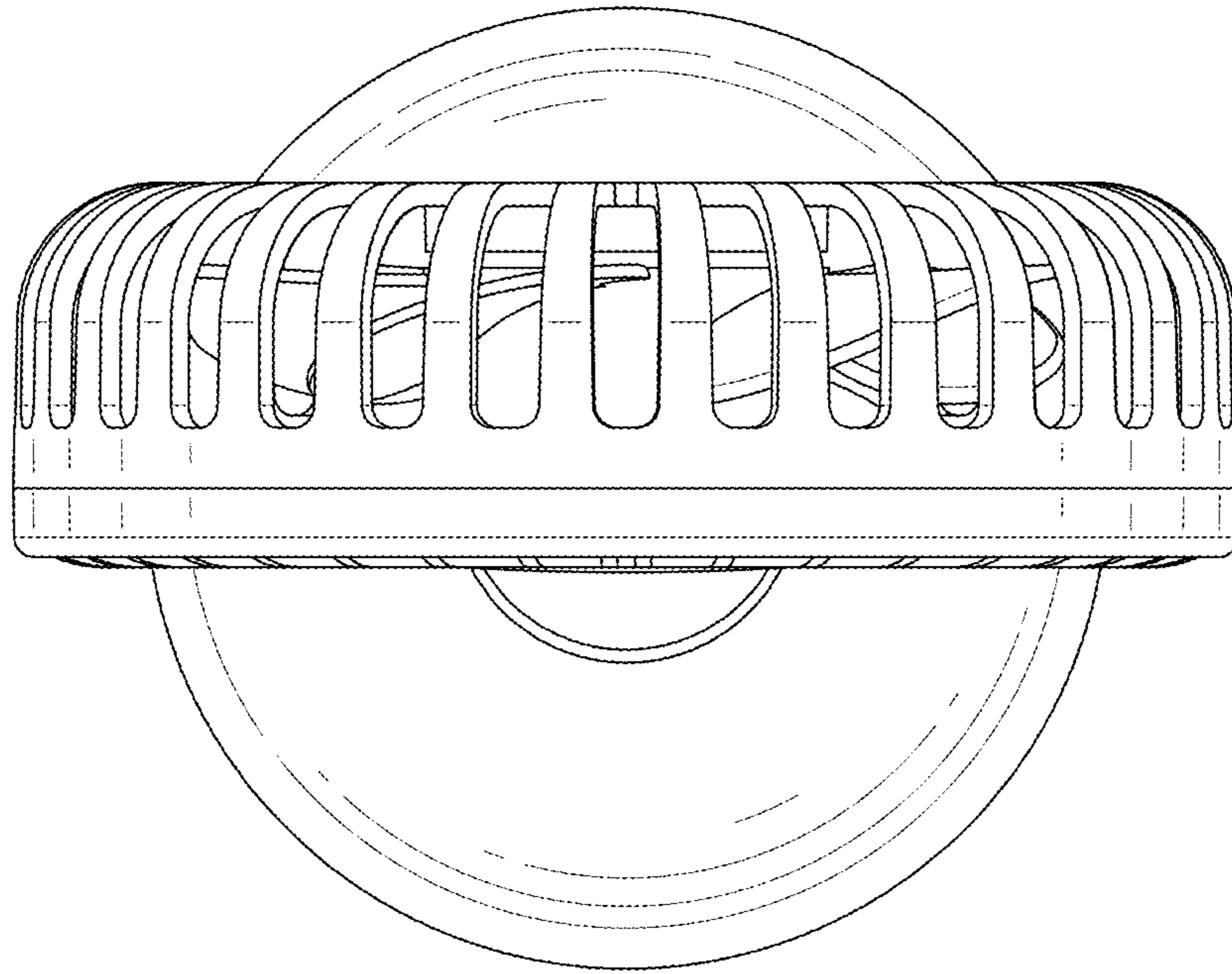


FIG. 7

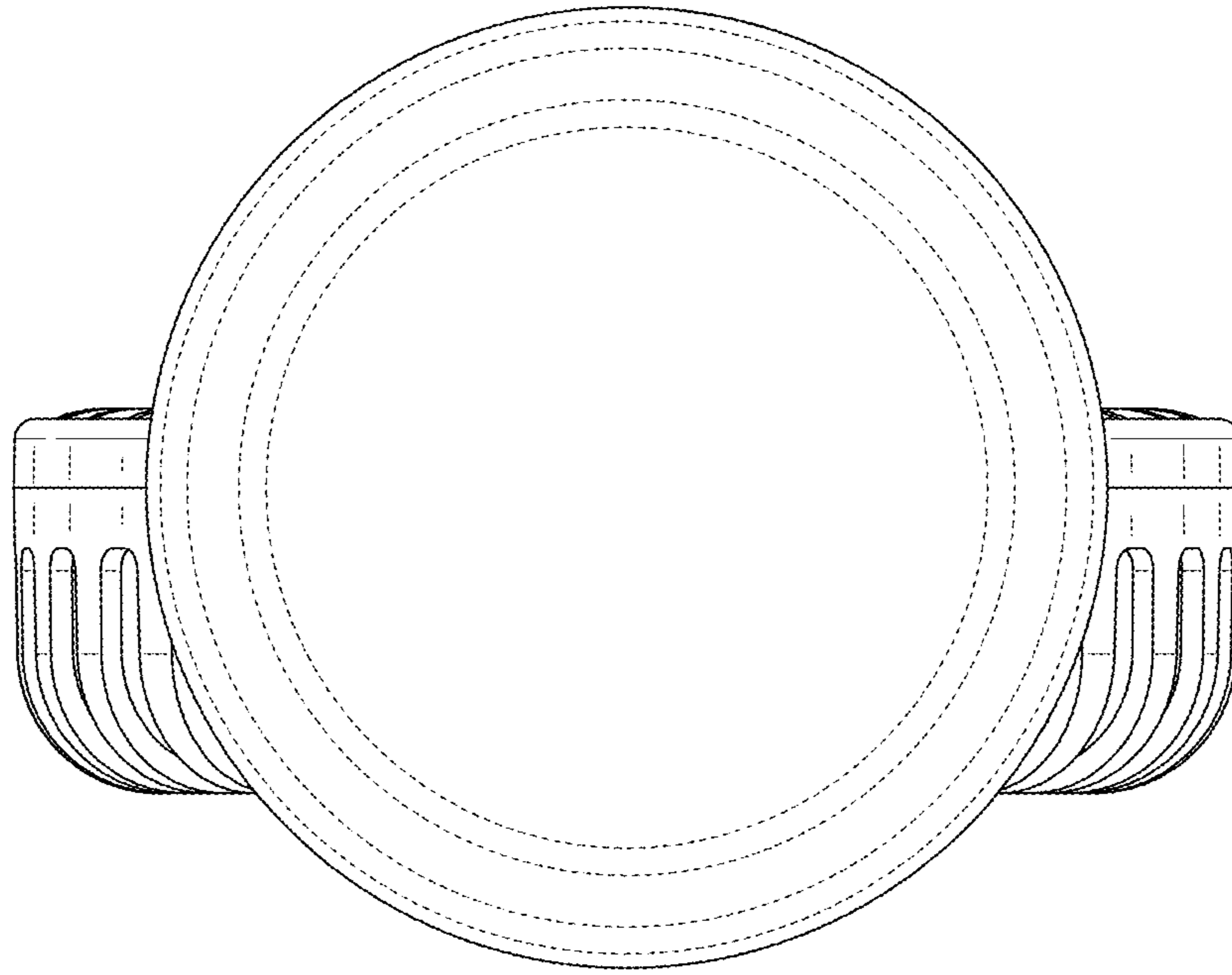


FIG. 8