



US00D893698S

(12) **United States Design Patent**
Lin

(10) **Patent No.:** **US D893,698 S**

(45) **Date of Patent:** **** Aug. 18, 2020**

(54) **ELECTRIC FAN**

(71) Applicant: **Xiuyan Lin**, Puning (CN)

(72) Inventor: **Xiuyan Lin**, Puning (CN)

(**) Term: **15 Years**

(21) Appl. No.: **29/732,025**

(22) Filed: **Apr. 20, 2020**

(51) **LOC (12) Cl.** **23-04**

(52) **U.S. Cl.**
USPC **D23/381**

(58) **Field of Classification Search**
USPC D23/332, 335-337, 342, 355, 370, 377,
D23/378, 381, 382, 383, 411, 412, 413,
D23/414; D26/59

CPC F04D 25/088; F04D 29/388; F04D 29/34;
F04D 25/08; F21V 33/0096

See application file for complete search history.

(56) **References Cited**

U.S. PATENT DOCUMENTS

D84,380 S *	6/1931	Smith	D23/382
D84,381 S *	6/1931	Smith	D23/382
D84,382 S *	6/1931	Smith	D23/382
D84,521 S *	6/1931	Jordan	D23/381
D395,080 S *	6/1998	Jane	D23/381
D437,925 S *	2/2001	Gonzales	D23/381
D483,852 S	12/2003	Wong		
D547,426 S *	7/2007	Pitchford	D23/317

D586,455 S *	2/2009	Guthrie	D23/412
D674,888 S *	1/2013	Kawase	D23/370
D788,277 S *	5/2017	Monfette	D23/342
D799,685 S *	10/2017	Liu	D23/412
D802,113 S *	11/2017	Hoss	D23/370
D845,465 S *	4/2019	Cui	D23/382
D886,277 S *	6/2020	Lewis	D23/383
D887,542 S *	6/2020	Youngblutt	D23/382

* cited by examiner

Primary Examiner — Janice Hallmark

(74) *Attorney, Agent, or Firm* — ZANIP

(57) **CLAIM**

The ornamental design for an electric fan, as shown and described.

DESCRIPTION

FIG. 1 is a front and top perspective view of an electric fan, showing my new design;

FIG. 2 is a rear and top perspective view thereof;

FIG. 3 is a front elevational view thereof;

FIG. 4 is a rear elevational view thereof;

FIG. 5 is a left side elevational view thereof;

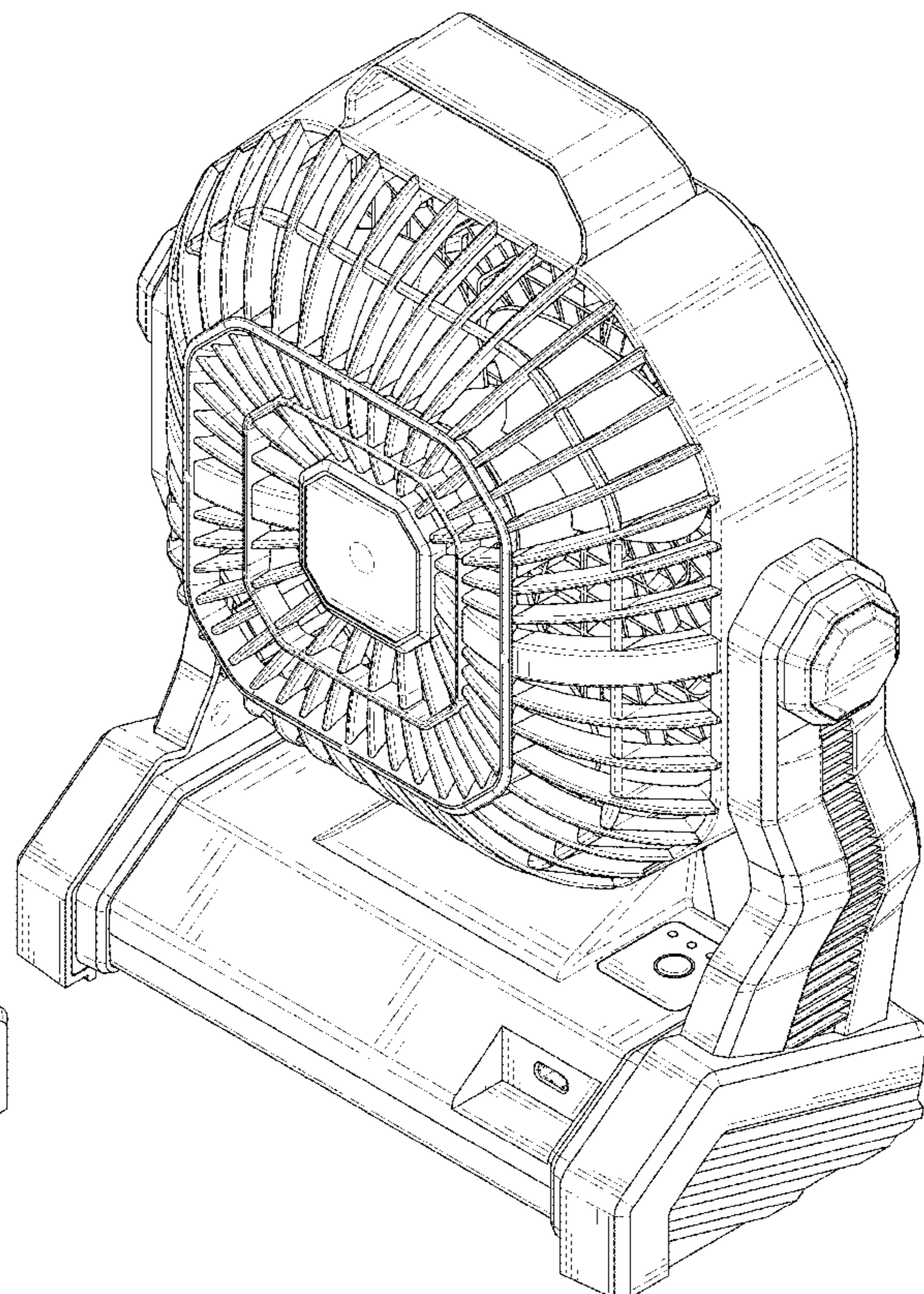
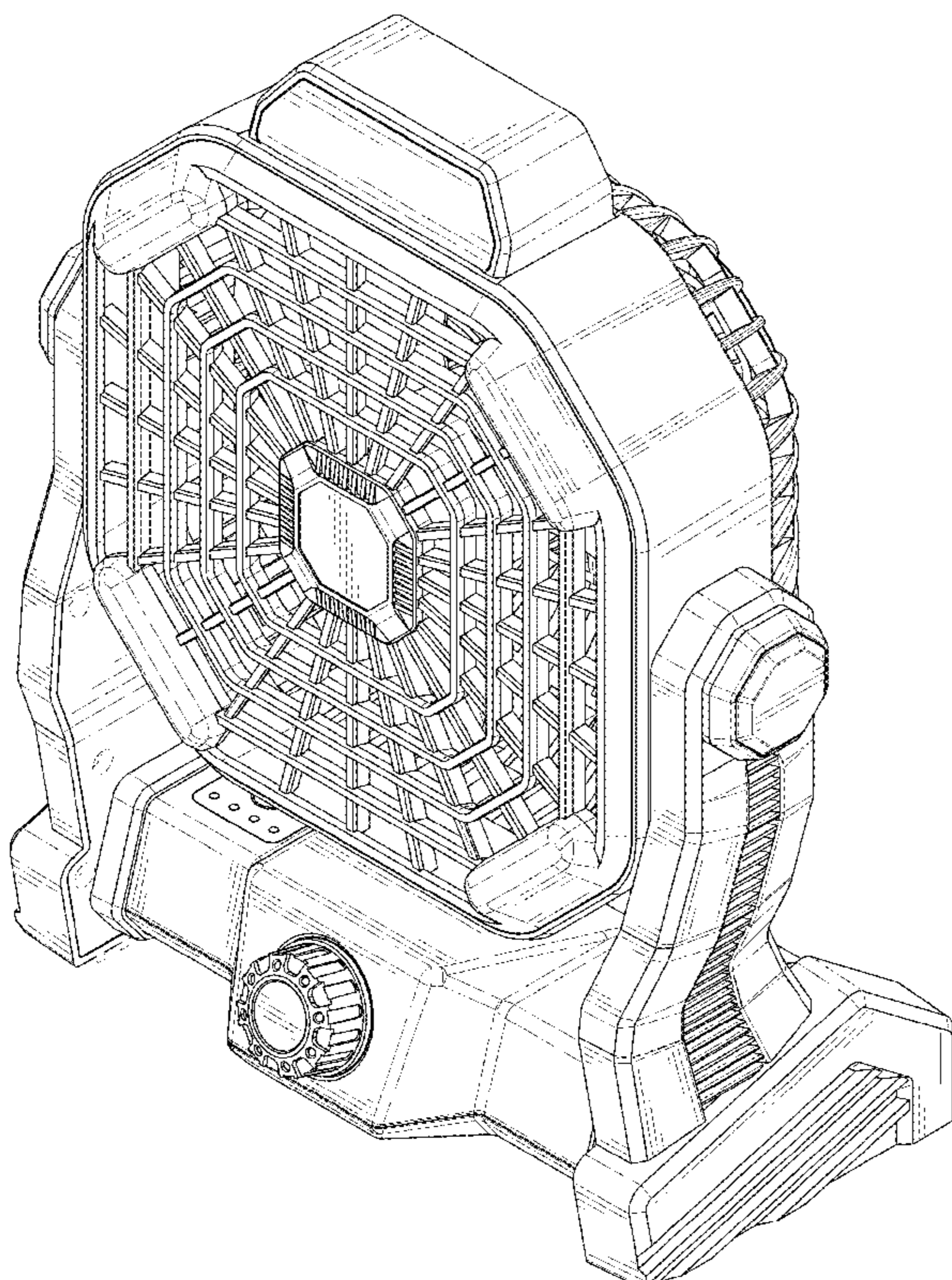
FIG. 6 is a right side elevational view thereof;

FIG. 7 is a top plan view thereof; and,

FIG. 8 is a bottom plan view thereof.

The broken lines in the figures illustrate portions of the electric fan that form no part of the claimed design.

1 Claim, 8 Drawing Sheets



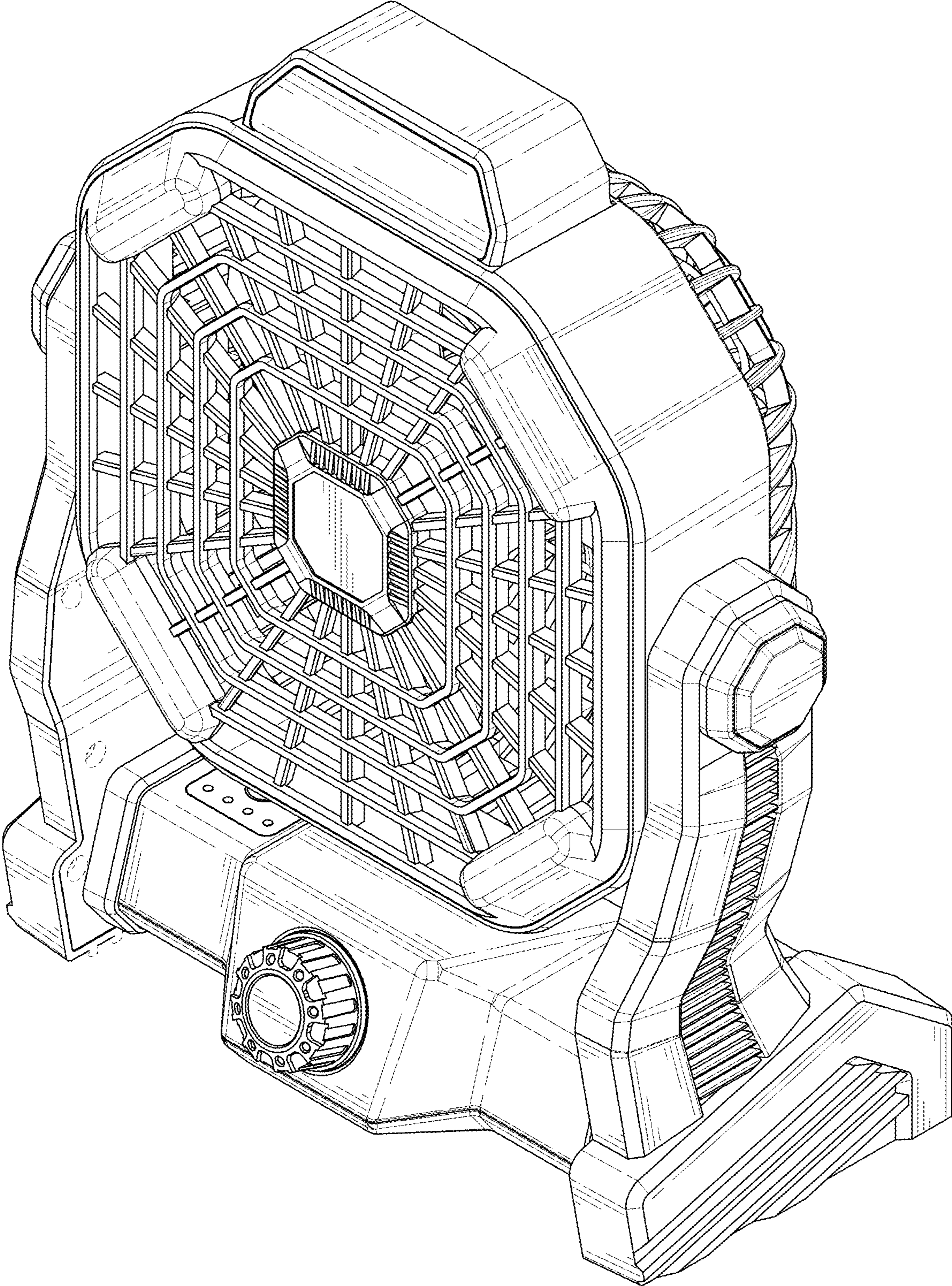


FIG. 1

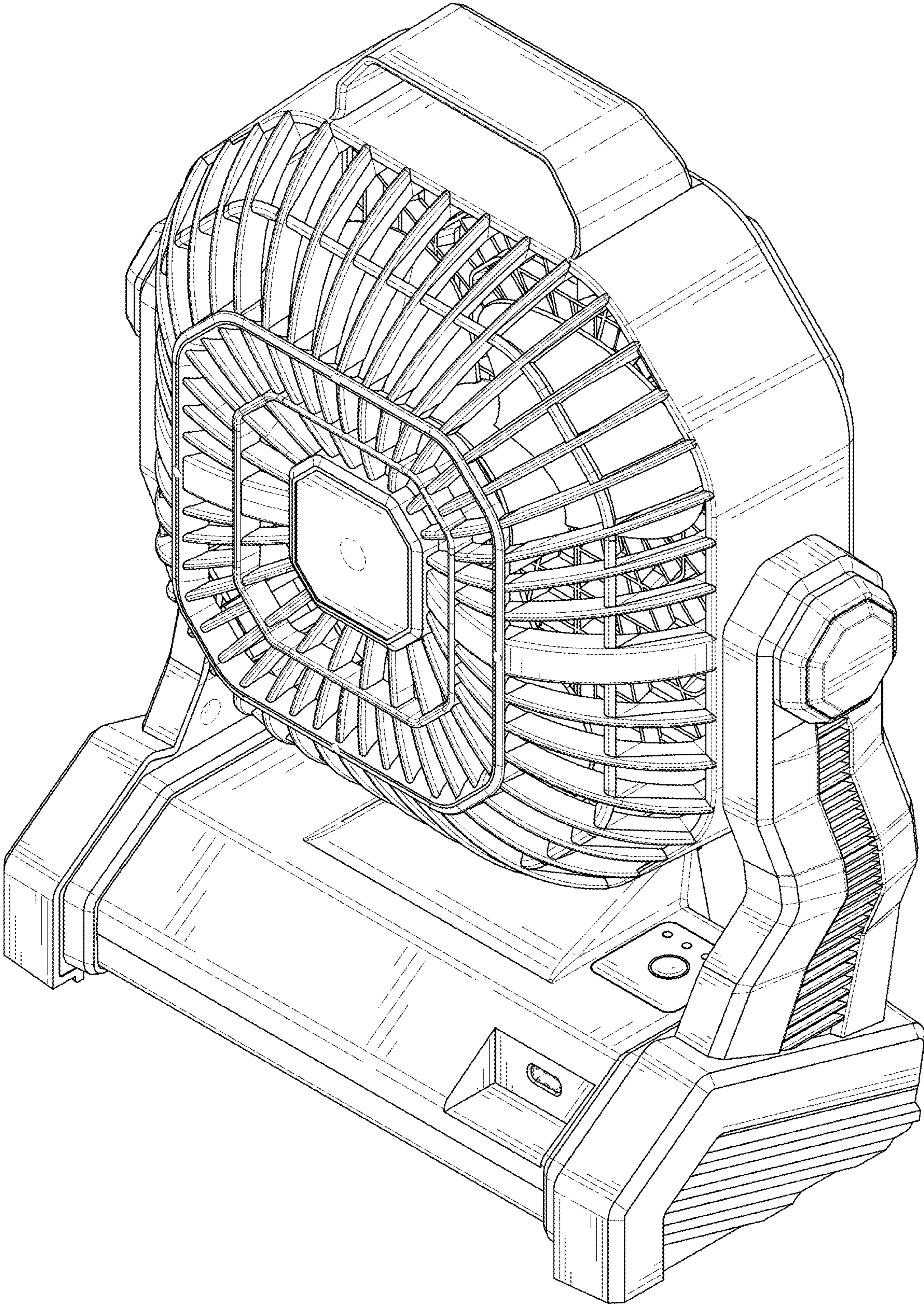


FIG. 2

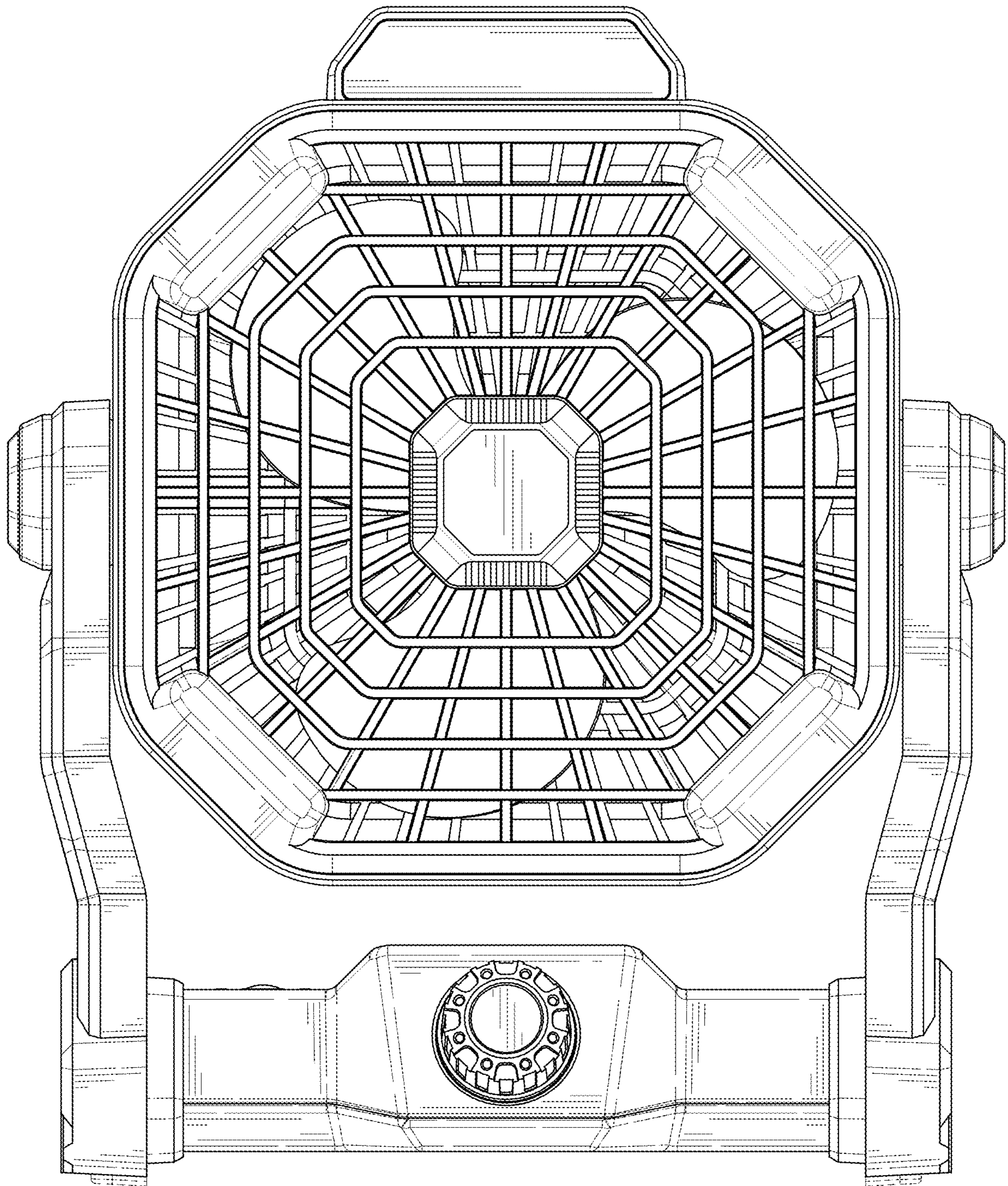


FIG. 3

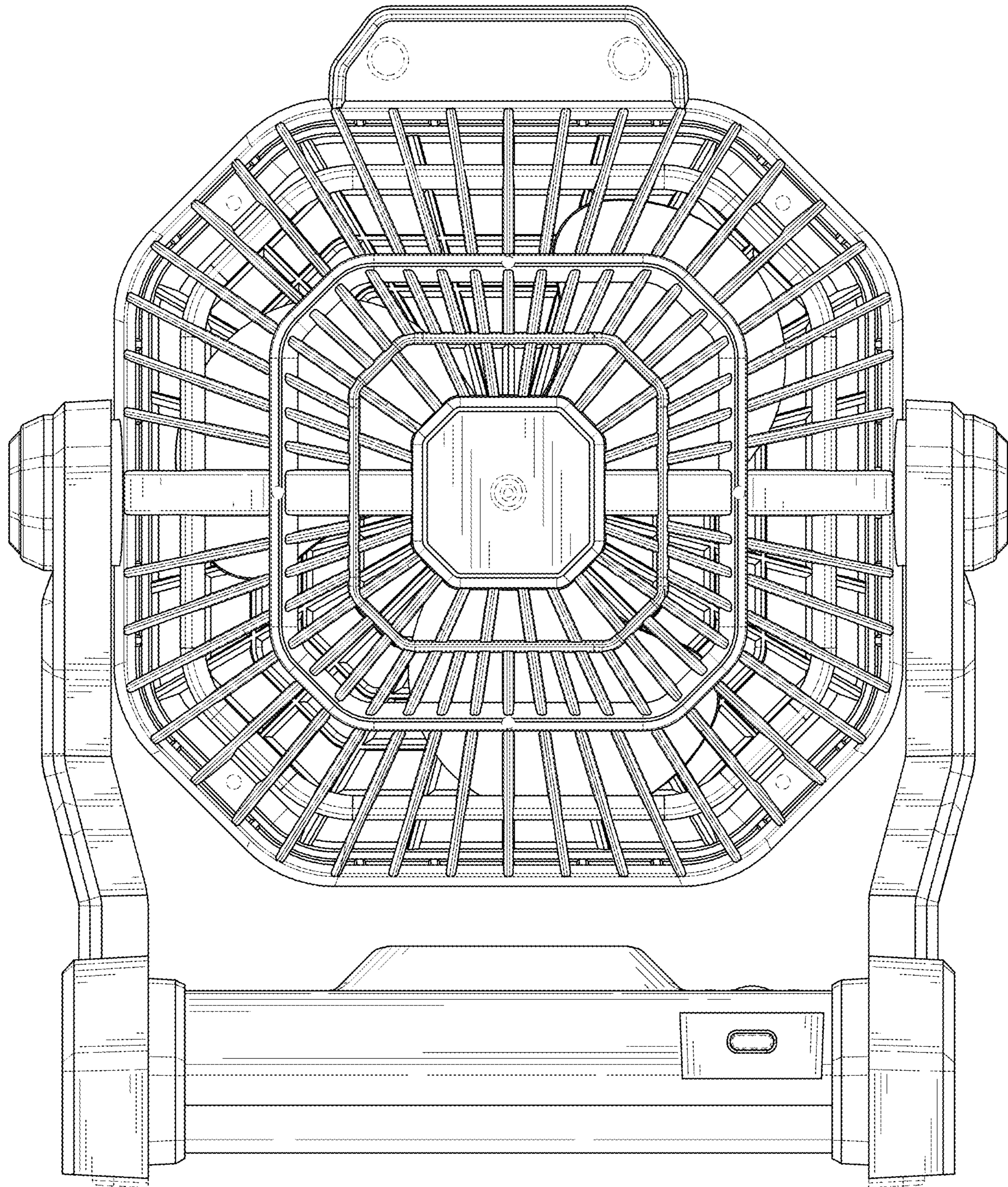


FIG. 4

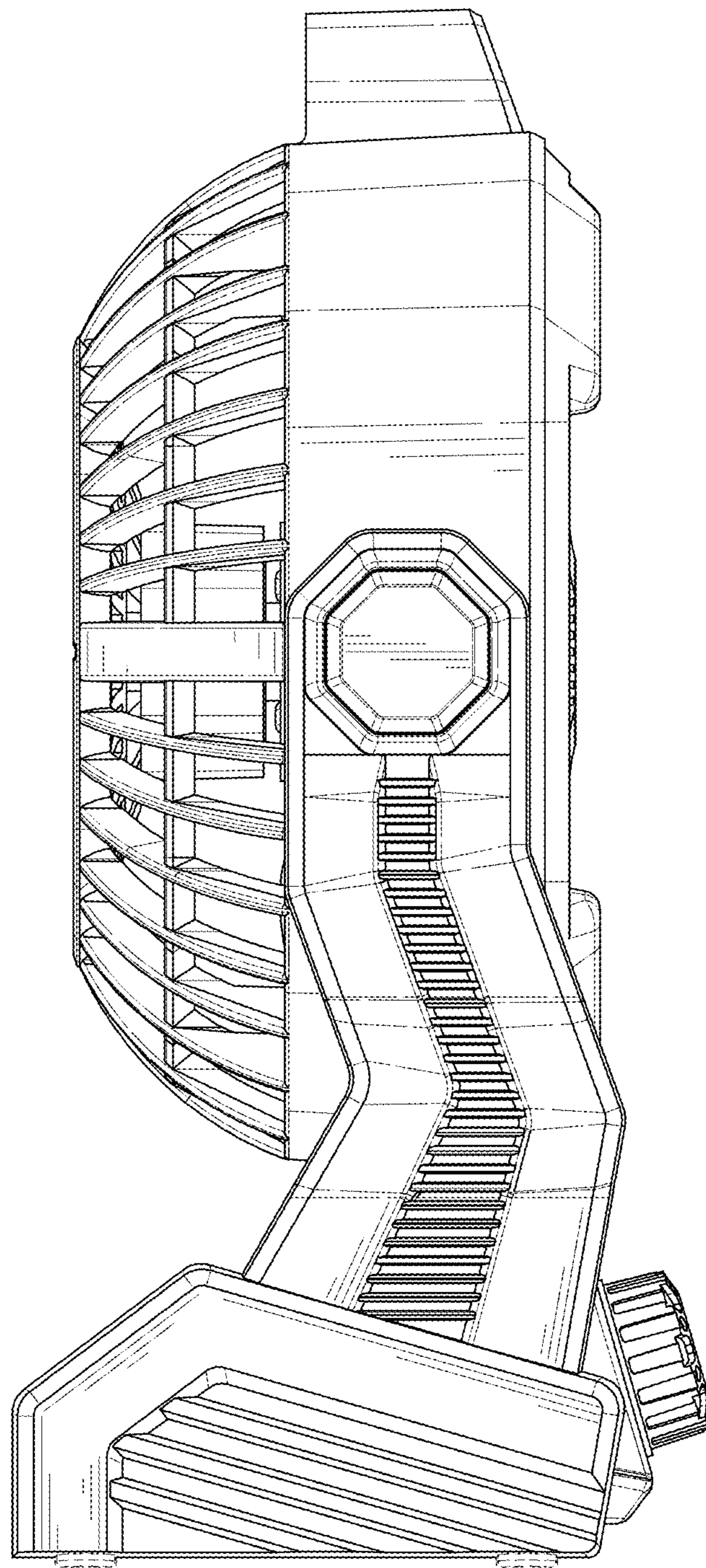


FIG. 5

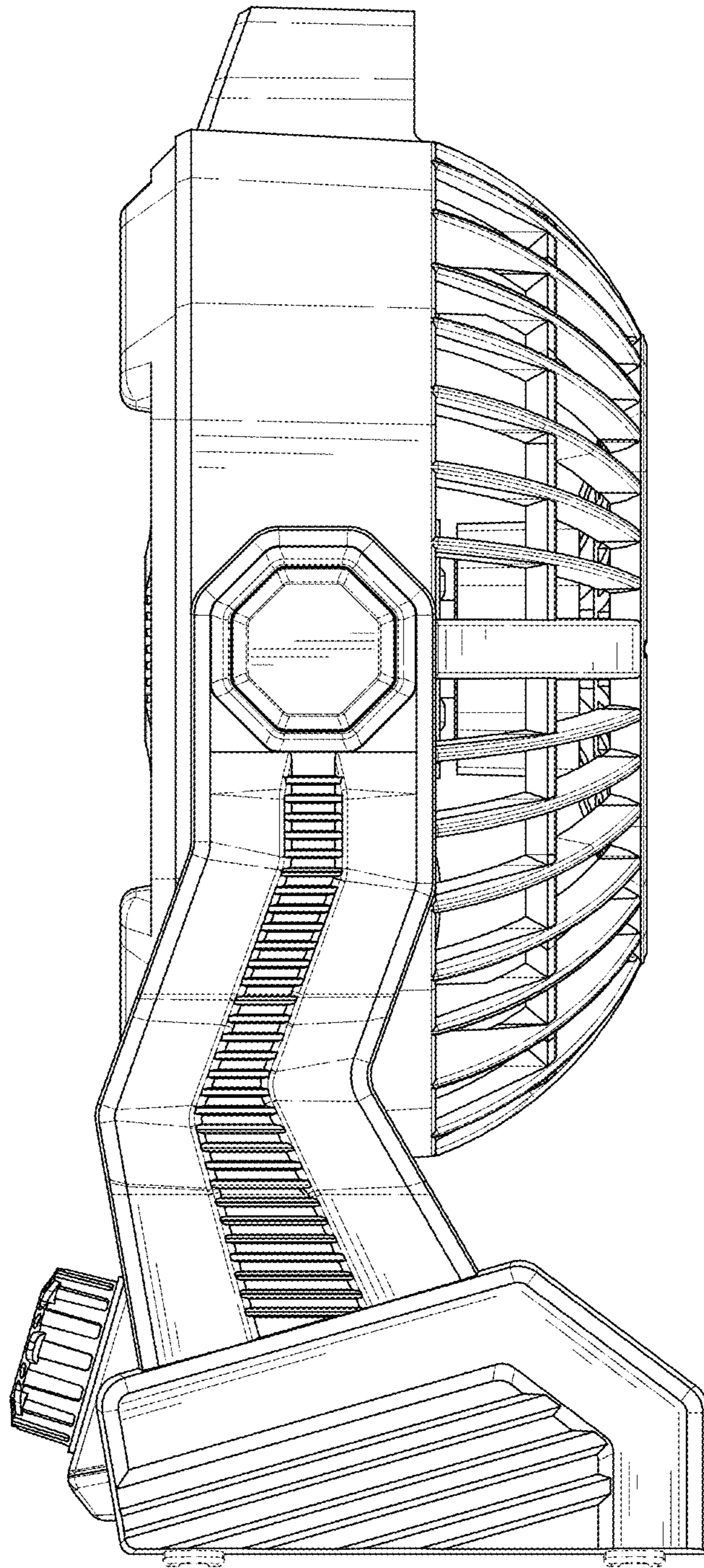


FIG. 6

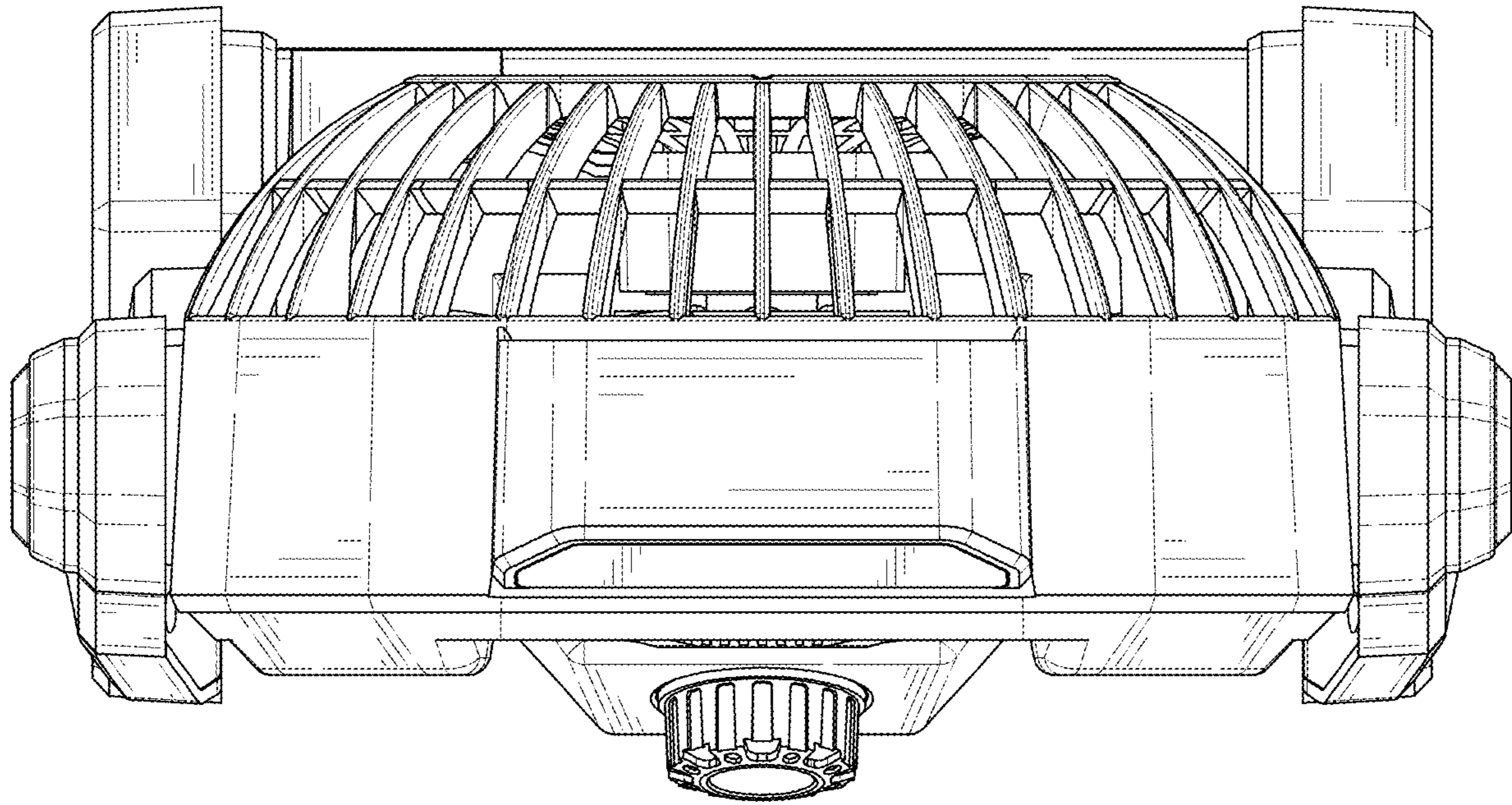


FIG. 7

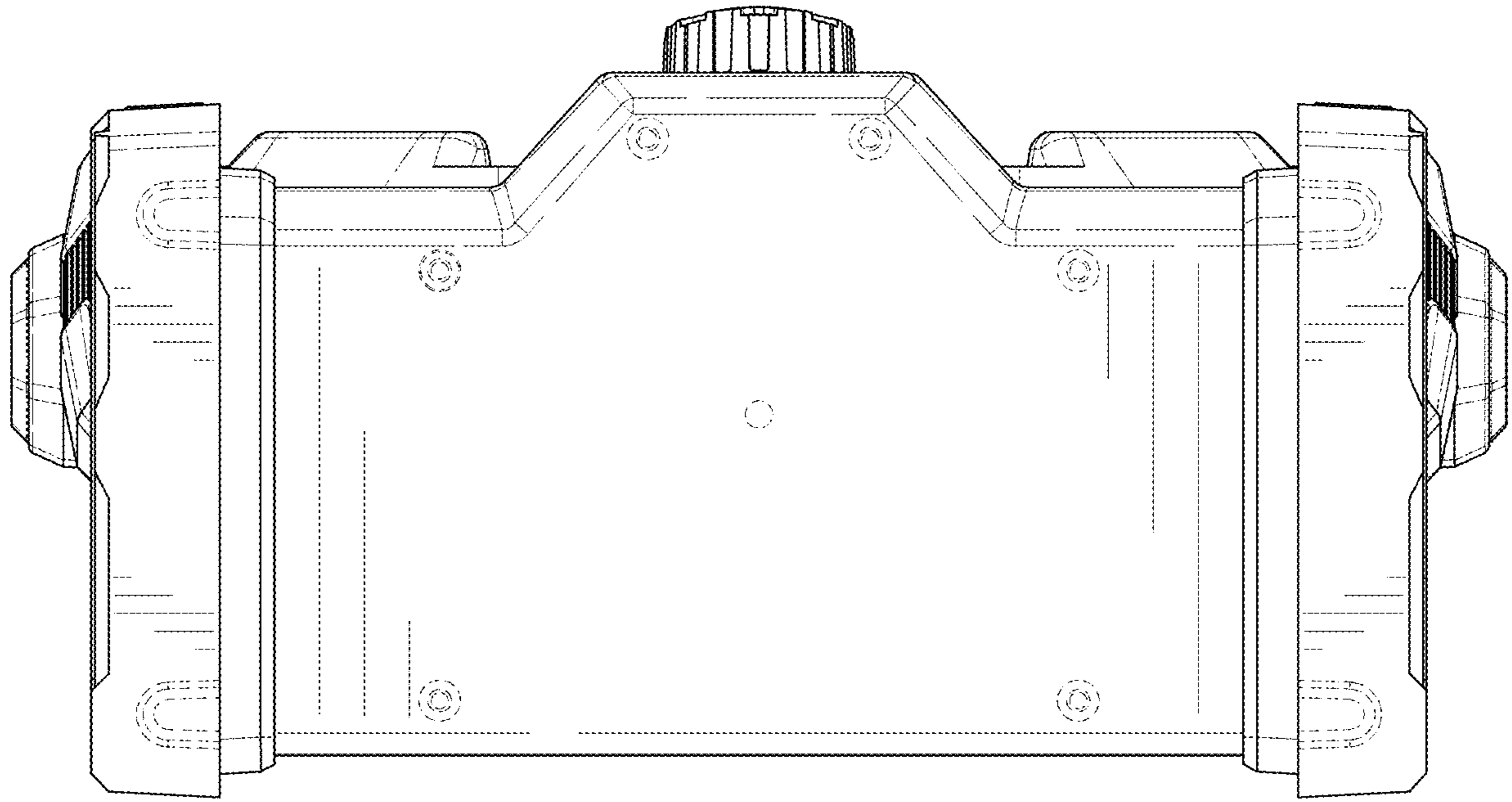


FIG. 8