



US00D893696S

(12) **United States Design Patent**
Vicondo Fontanella et al.

(10) **Patent No.:** **US D893,696 S**

(45) **Date of Patent:** **** Aug. 18, 2020**

(54) **DIFFUSING EVAPORATOR OF ACTIVE SUBSTANCES**

(71) Applicant: **ZOBELE HOLDING SPA**, Trento (IT)

(72) Inventors: **Juan Manuel Vicondo Fontanella**,
Barcelona (ES); **Joaquim Llorente**
Alonso, Barcelona (ES)

(73) Assignee: **ZOBELE HOLDING SPA** (IT)

(**) Term: **15 Years**

(21) Appl. No.: **29/672,528**

(22) Filed: **Dec. 6, 2018**

(30) **Foreign Application Priority Data**

Jun. 8, 2018 (ES) 0528447

(51) **LOC (12) Cl.** **23-04**

(52) **U.S. Cl.**
USPC **D23/366**

(58) **Field of Classification Search**
USPC D23/201, 208, 355-369, 386; D13/144
CPC A61L 9/02; A61L 9/03; A61L 9/12; A61L
9/035; A61L 9/125
See application file for complete search history.

(56) **References Cited**

U.S. PATENT DOCUMENTS

D477,390 S * 7/2003 Chen D23/366
D607,095 S * 12/2009 LeMay D23/366

D631,954 S * 2/2011 Bertassi D23/366
D731,635 S * 6/2015 Venisti D23/366
D767,109 S * 9/2016 Gobber D23/368
D803,377 S * 11/2017 Gobber D23/366
D804,006 S * 11/2017 Gobber A61L 9/122
D23/366
D864,375 S * 10/2019 Hu D23/366
2017/0232128 A1 * 8/2017 Esses A61L 9/122
422/4

* cited by examiner

Primary Examiner — Sheryl Lane

Assistant Examiner — Calvin E Vansant

(74) *Attorney, Agent, or Firm* — Ostrolenk Faber LLP

(57) **CLAIM**

The ornamental design for a diffusing evaporator of active substances, as shown and described.

DESCRIPTION

FIG. 1 is a front, top and left side perspective view illustration of a diffusing evaporator of active substances, according to the new design;

FIG. 2 is a front view illustration thereof;

FIG. 3 is a top view illustration thereof;

FIG. 4 is a right side view illustration thereof;

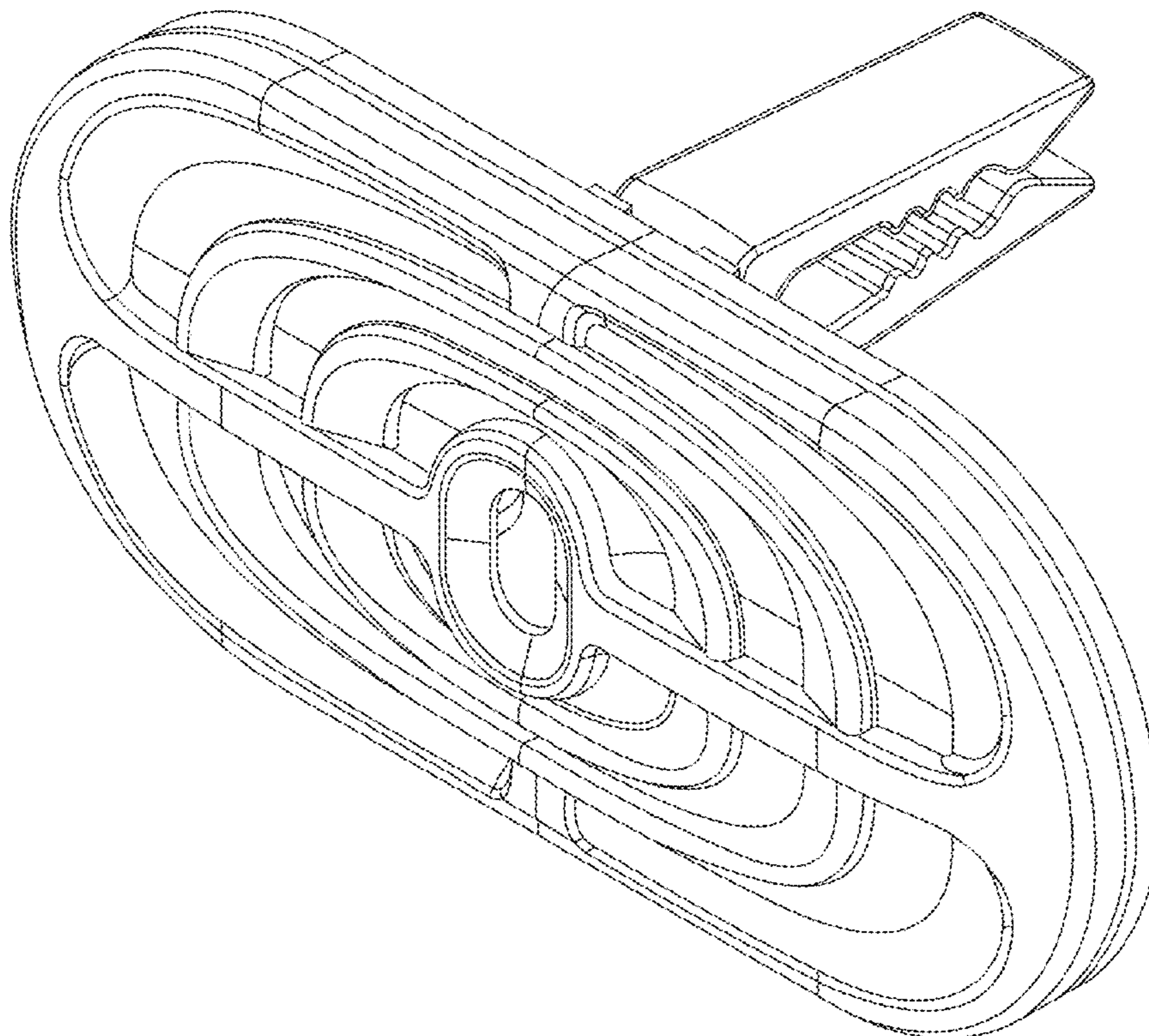
FIG. 5 is a rear view illustration thereof;

FIG. 6 is a bottom view illustration thereof; and,

FIG. 7 is a left side view illustration thereof.

The broken lines depict portions of the diffusing evaporator of active substances that form no part of the claimed design.

1 Claim, 7 Drawing Sheets



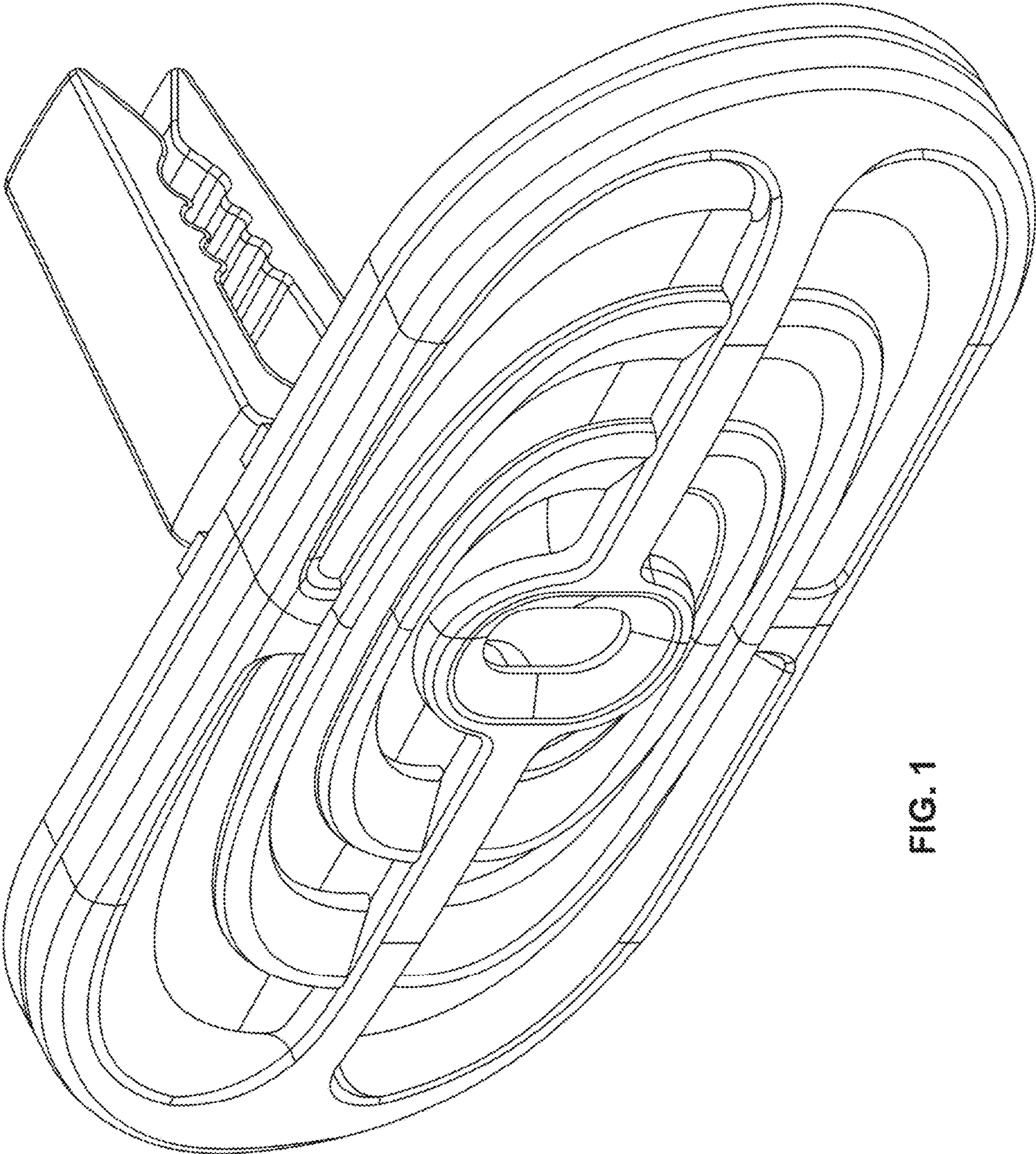


FIG. 1

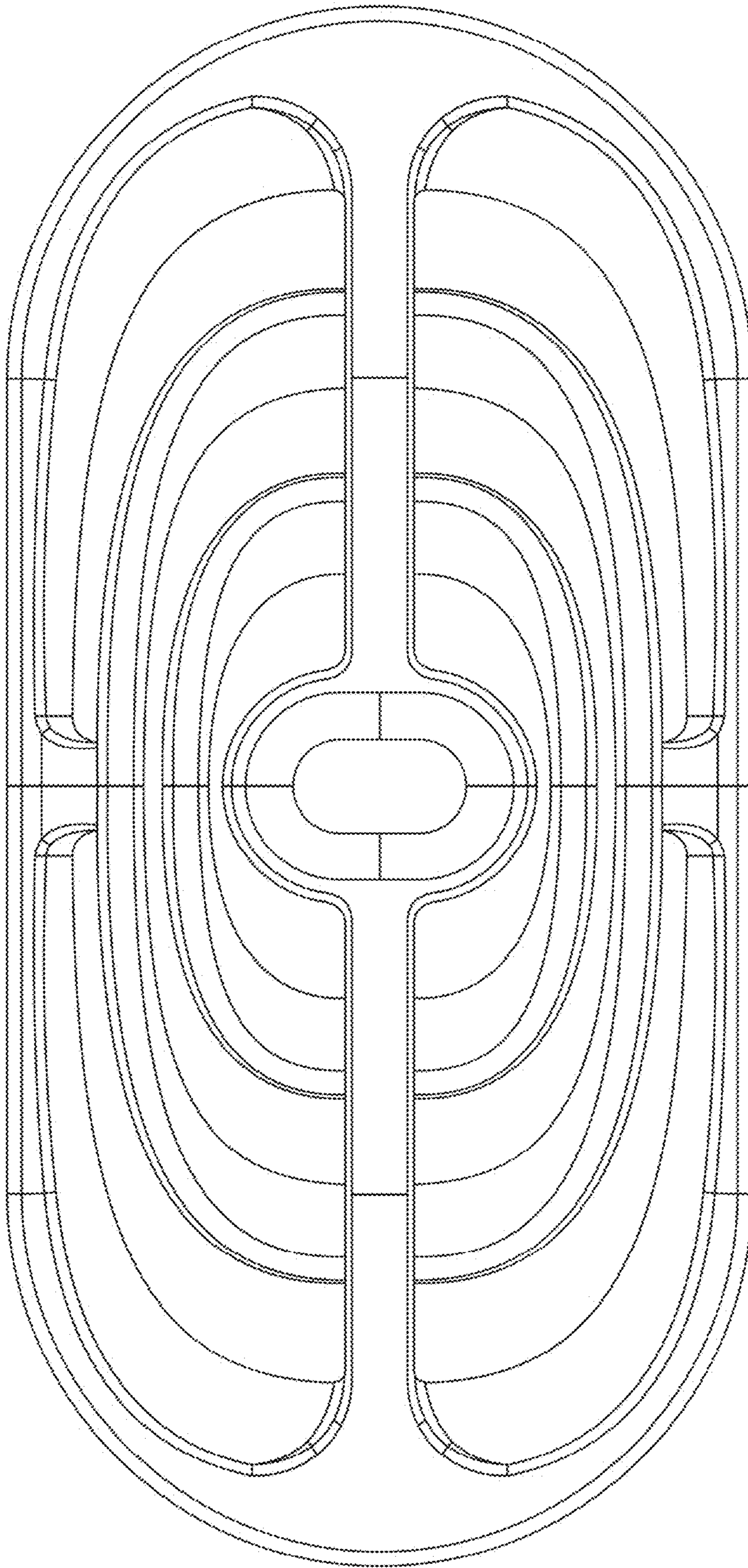


FIG. 2

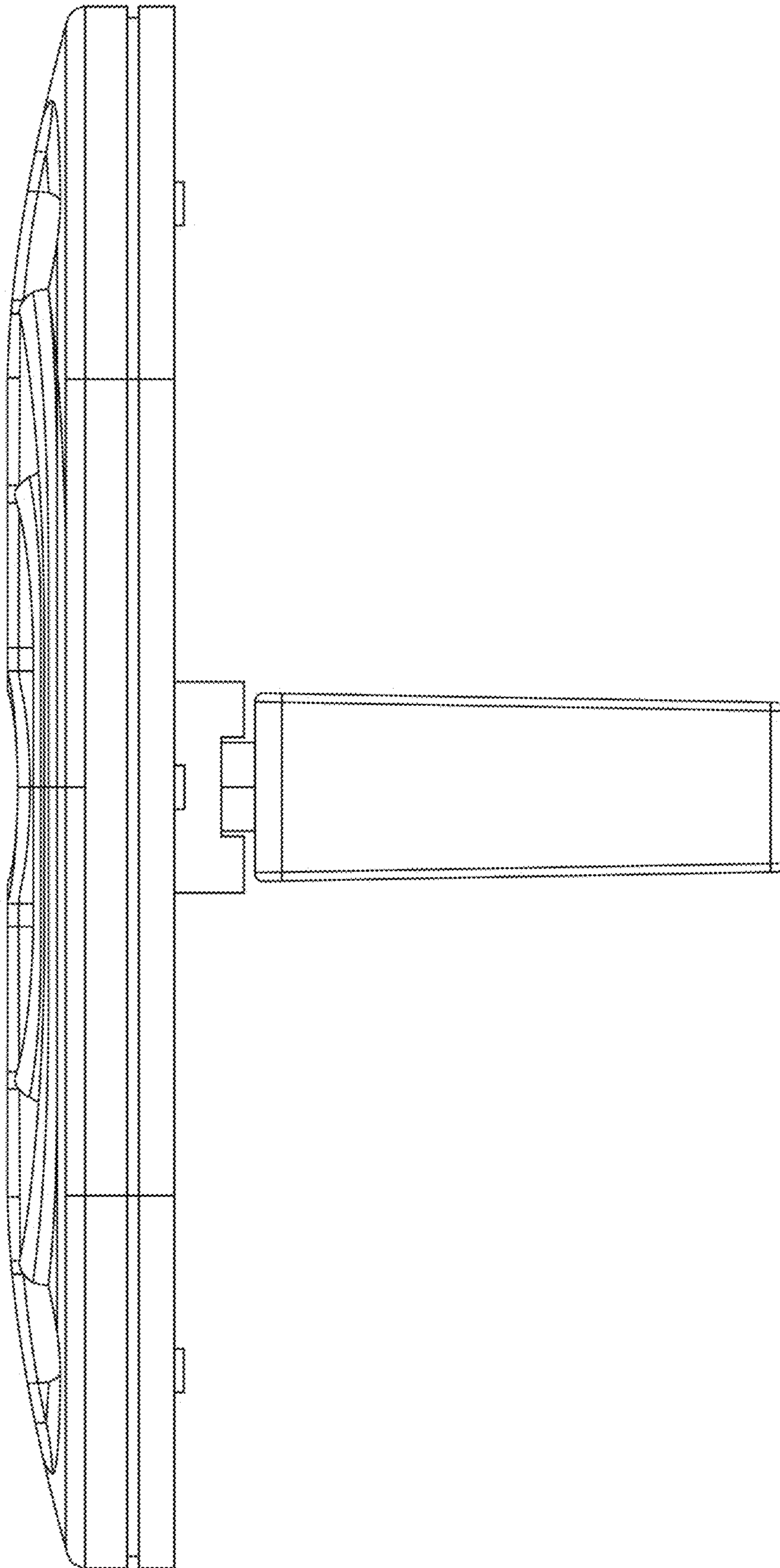


FIG. 3

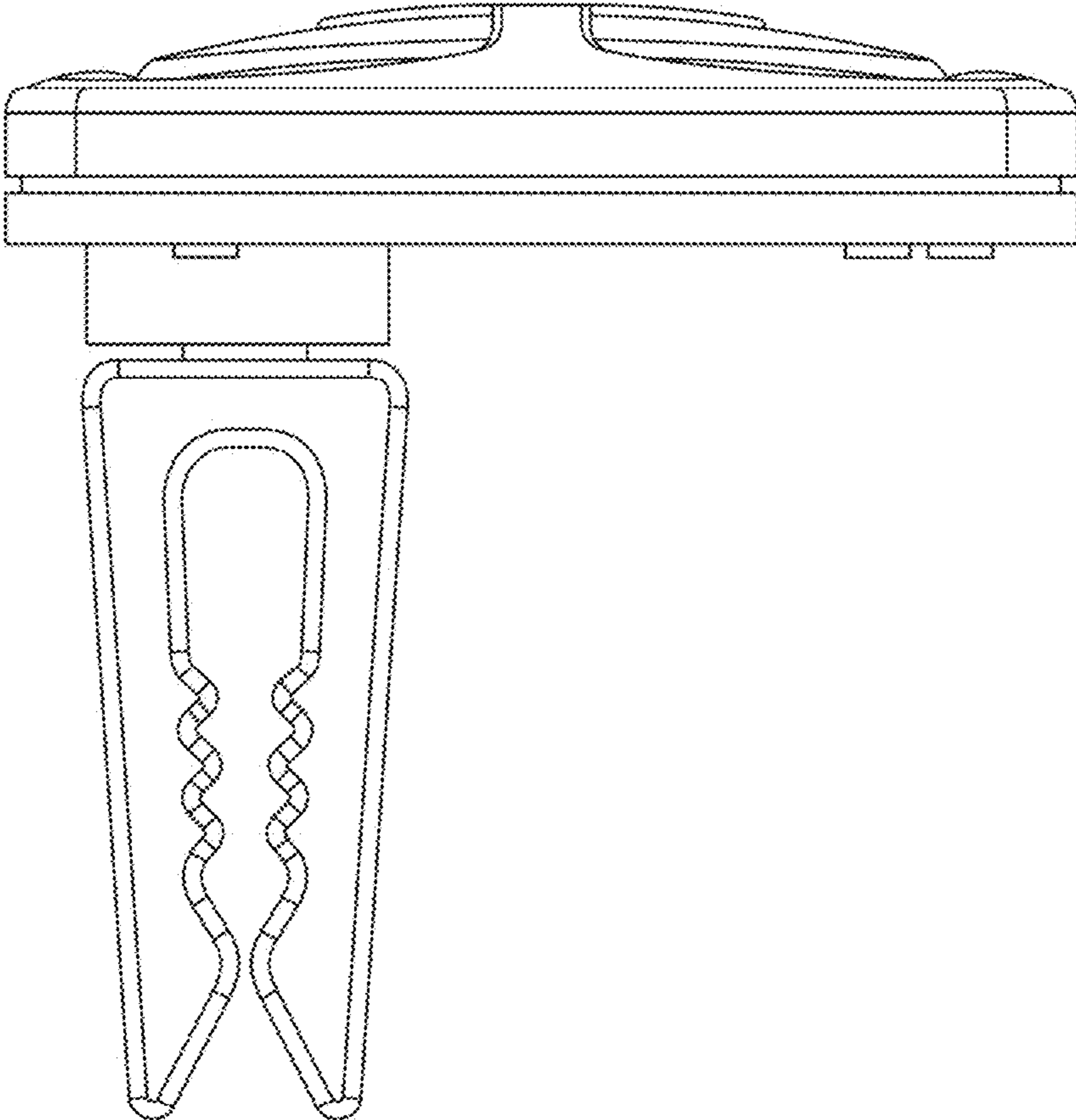


FIG. 4

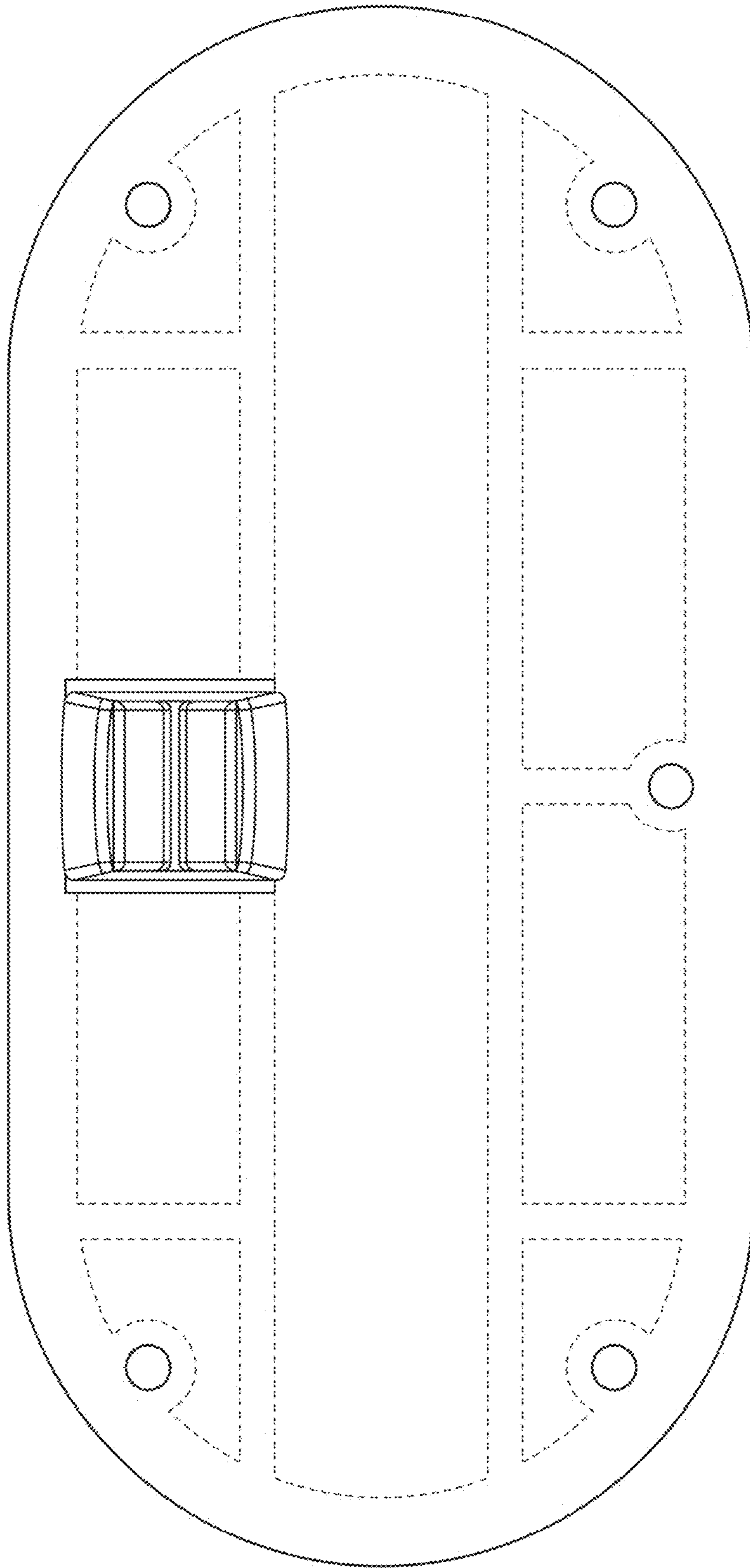


FIG. 5

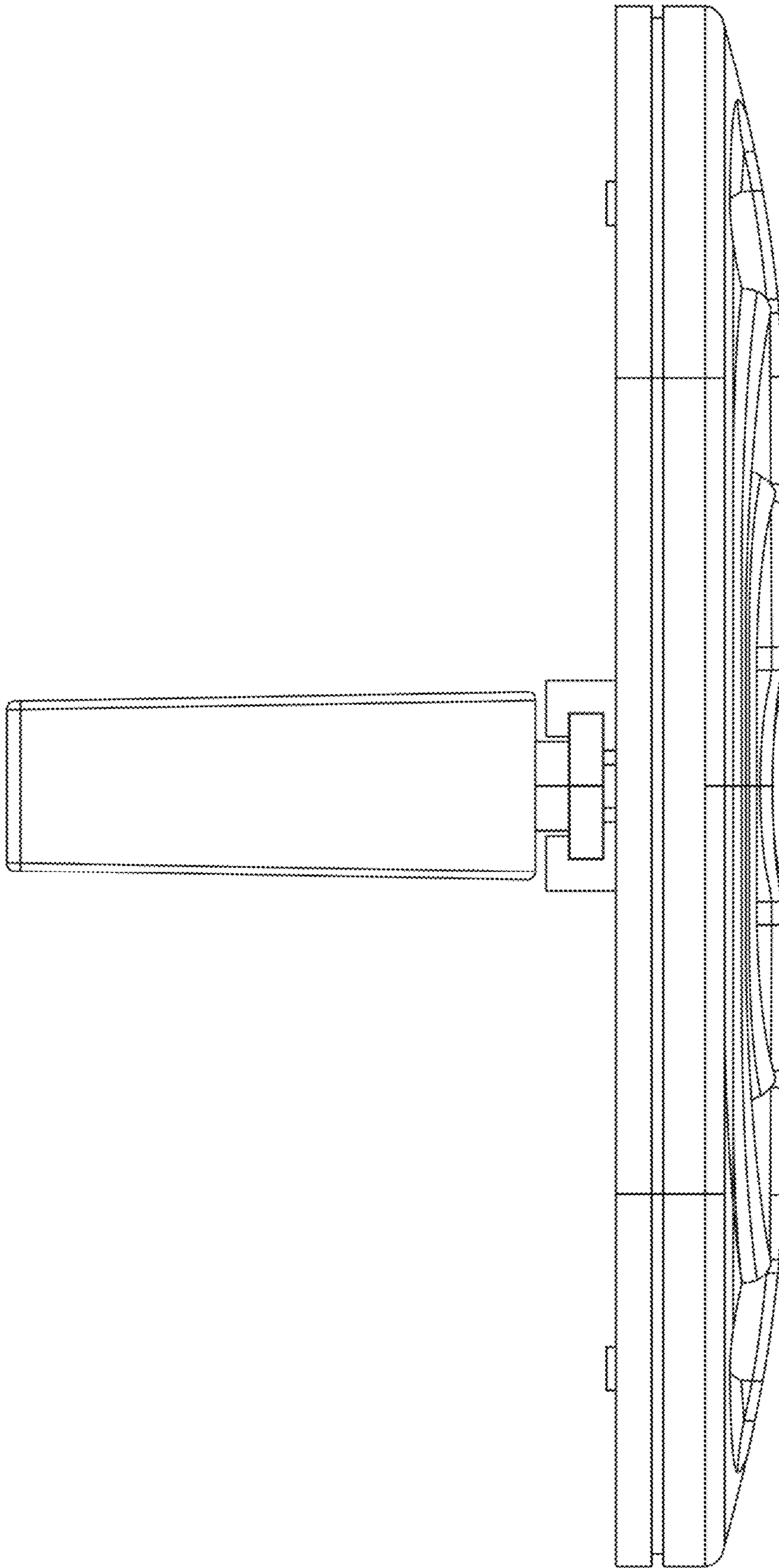


FIG. 6

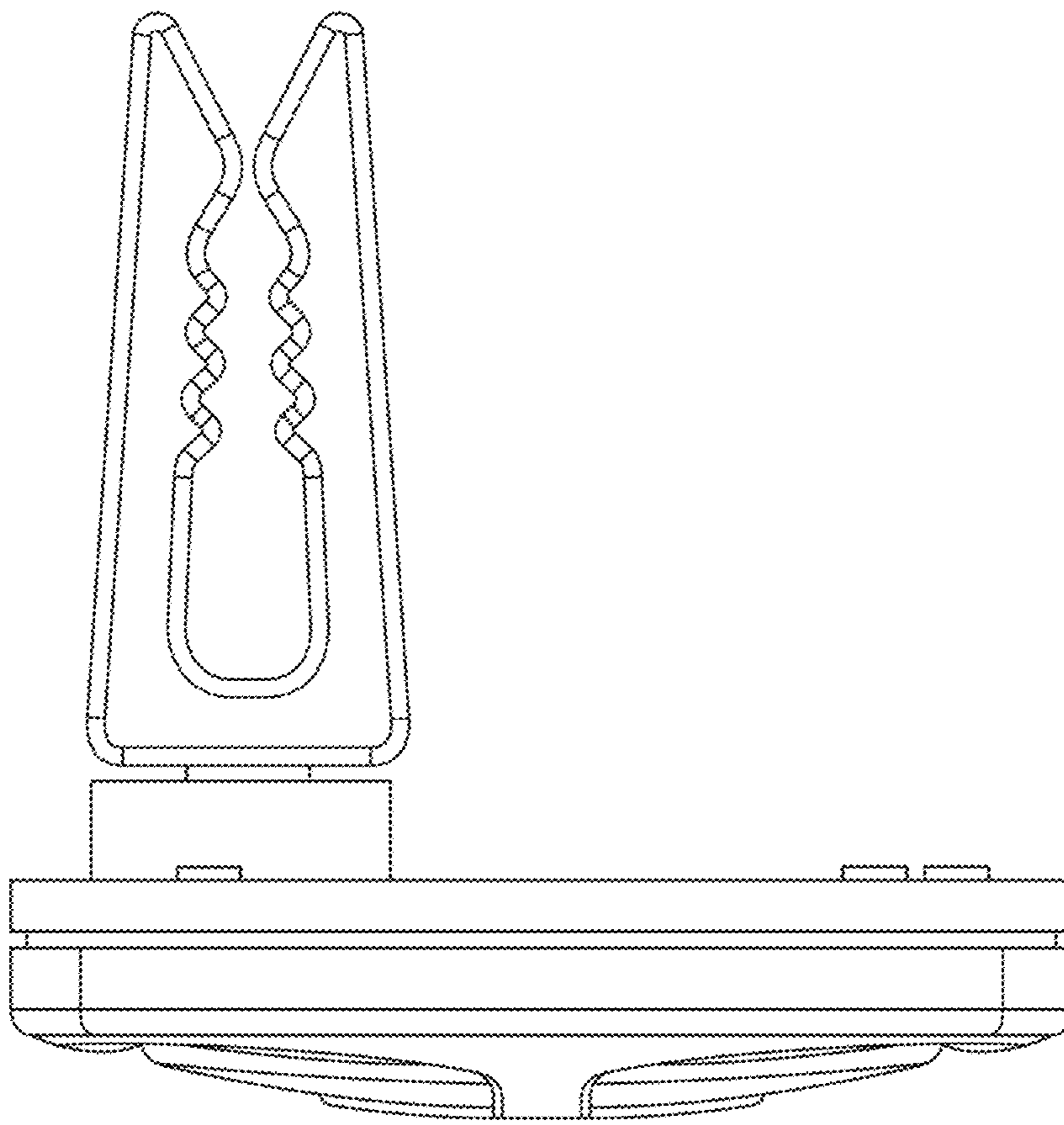


FIG. 7