



US00D893694S

(12) **United States Design Patent**
Hugues et al.

(10) **Patent No.:** **US D893,694 S**

(45) **Date of Patent:** **** Aug. 18, 2020**

(54) **AIR FILTER**

(71) Applicant: **Camfil AB**, Stockholm (SE)

(72) Inventors: **Mathieu Hugues**, Vagnhärad (SE);
Sverker Hugert, Trosa (SE)

(73) Assignee: **Camfil AB** (CH)

(**) Term: **15 Years**

(21) Appl. No.: **29/627,790**

(22) Filed: **Nov. 29, 2017**

(30) **Foreign Application Priority Data**

May 29, 2017 (EM) 004022788-0005

(51) **LOC (12) Cl.** **23-04**

(52) **U.S. Cl.**
USPC **D23/365**

(58) **Field of Classification Search**
USPC D23/209, 235, 341, 358, 363-365;
D15/5; D32/21-25, 31, 32
CPC F02M 35/04; F02M 35/10; F02M 35/024;
B01D 46/0002; B01D 46/10
See application file for complete search history.

(56) **References Cited**

U.S. PATENT DOCUMENTS

- D278,553 S * 4/1985 Cherry D23/365
- D380,537 S * 7/1997 Ellwood D23/364
- 6,485,538 B1 * 11/2002 Toyoshima B01D 46/0005
55/482
- 8,328,895 B2 * 12/2012 Nicholas B01D 46/0005
55/483
- 8,523,972 B2 * 9/2013 Borkent B01D 46/0023
55/484
- D742,496 S * 11/2015 Carter D23/365

- 9,205,359 B2 * 12/2015 Kelmartin B01D 46/0002
- D774,634 S * 12/2016 Hugues D23/365
- 9,522,355 B2 * 12/2016 Kohn B01D 46/0016
- 9,623,355 B2 * 4/2017 Caesar B01D 46/0045
- 9,682,338 B2 * 6/2017 Eyers B01D 46/008
- 2009/0193773 A1 * 8/2009 Sundvik B01D 46/125
55/478
- 2012/0047855 A1 * 3/2012 Eyers B01D 46/0005
55/378

* cited by examiner

Primary Examiner — Lakiya G Rogers

Assistant Examiner — John A Voytek

(74) *Attorney, Agent, or Firm* — Condo Roccia Koptiw
LLP

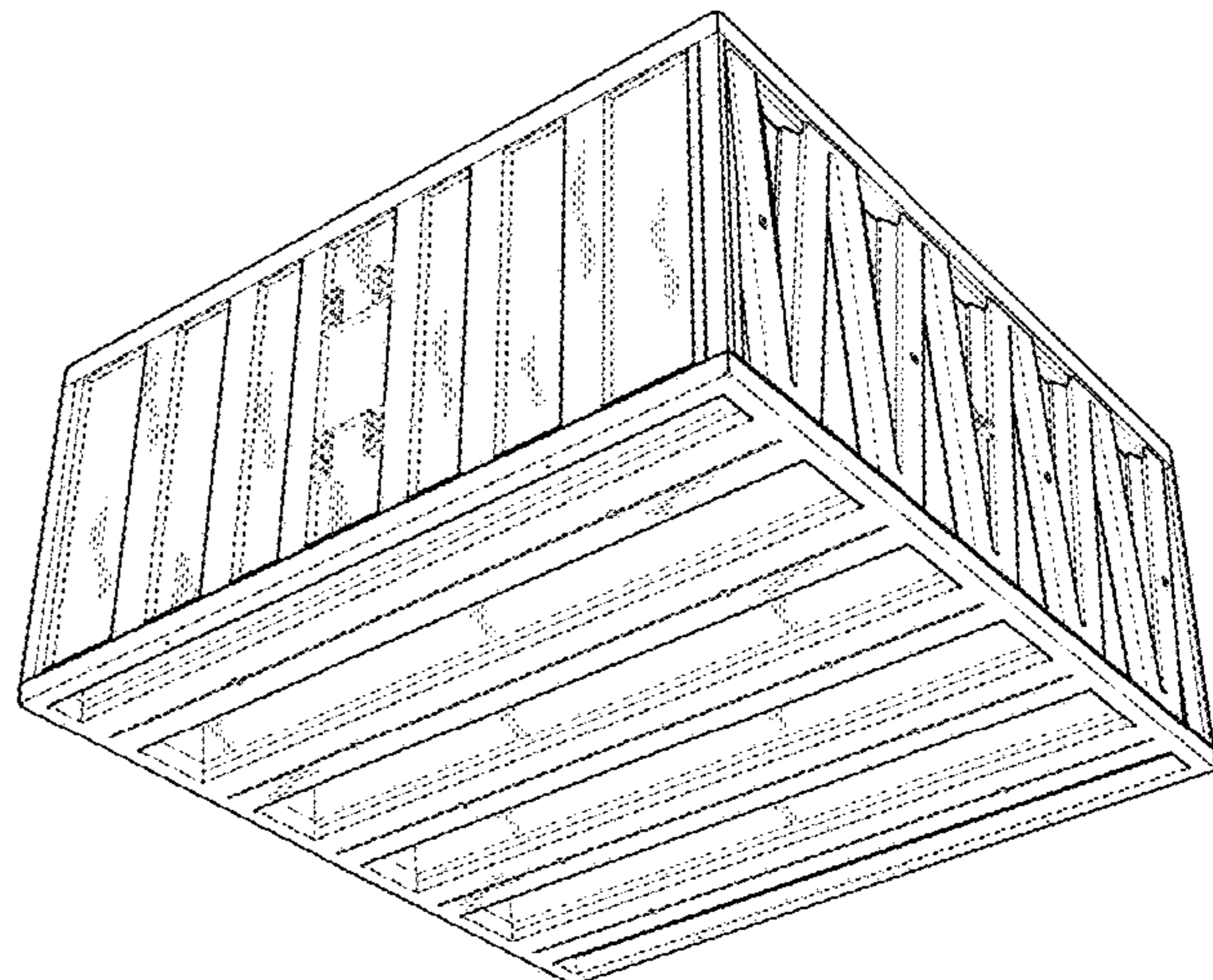
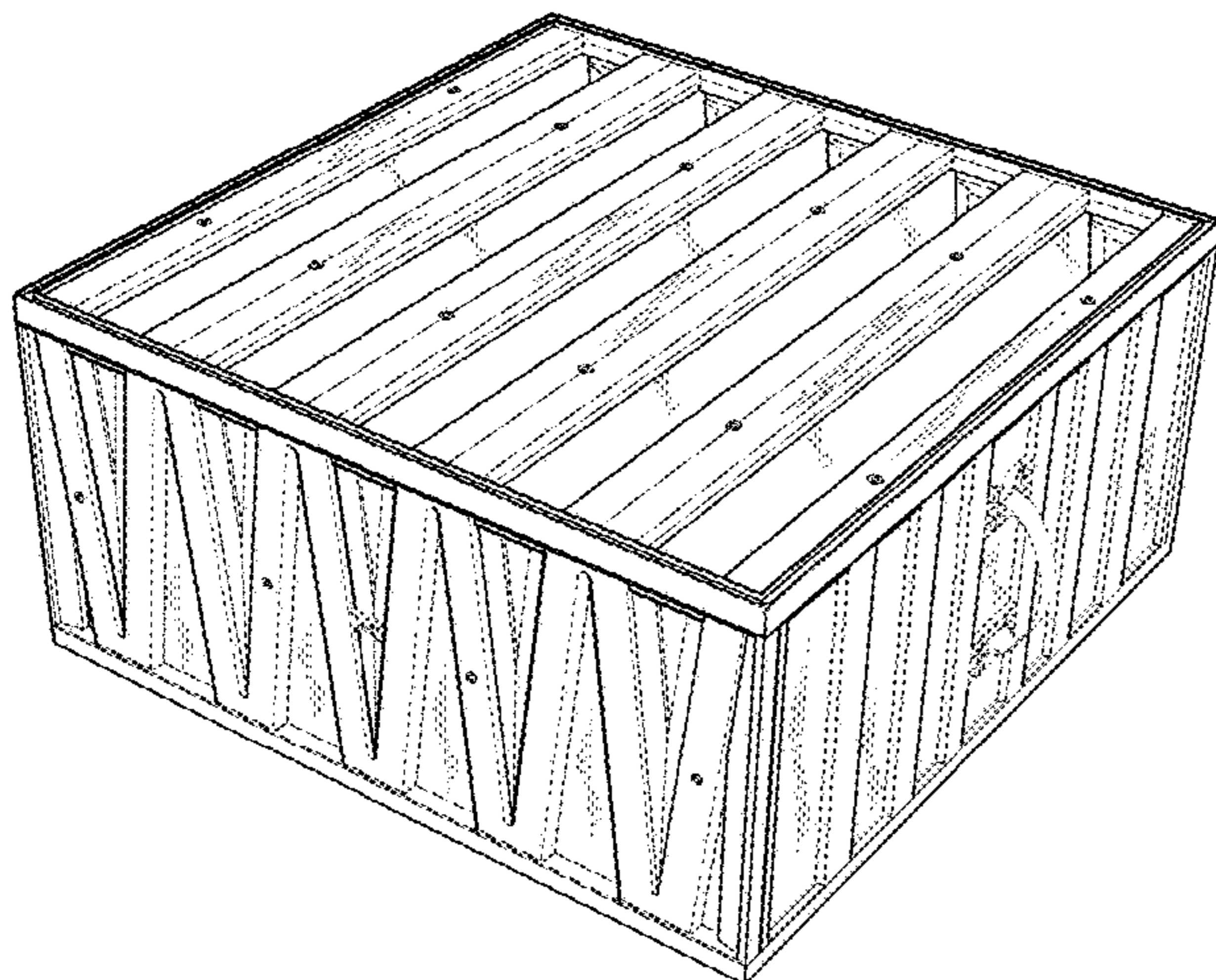
(57) **CLAIM**

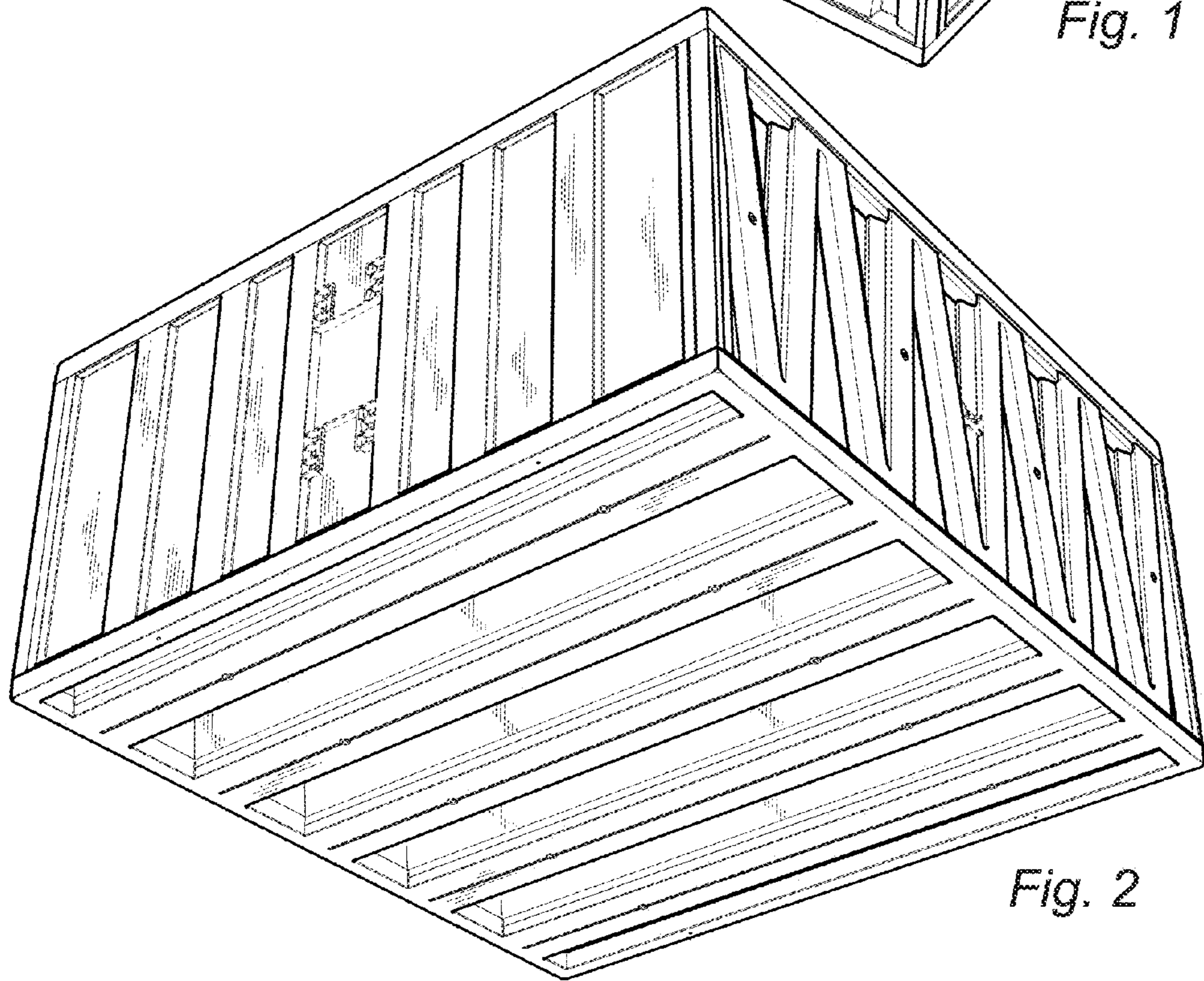
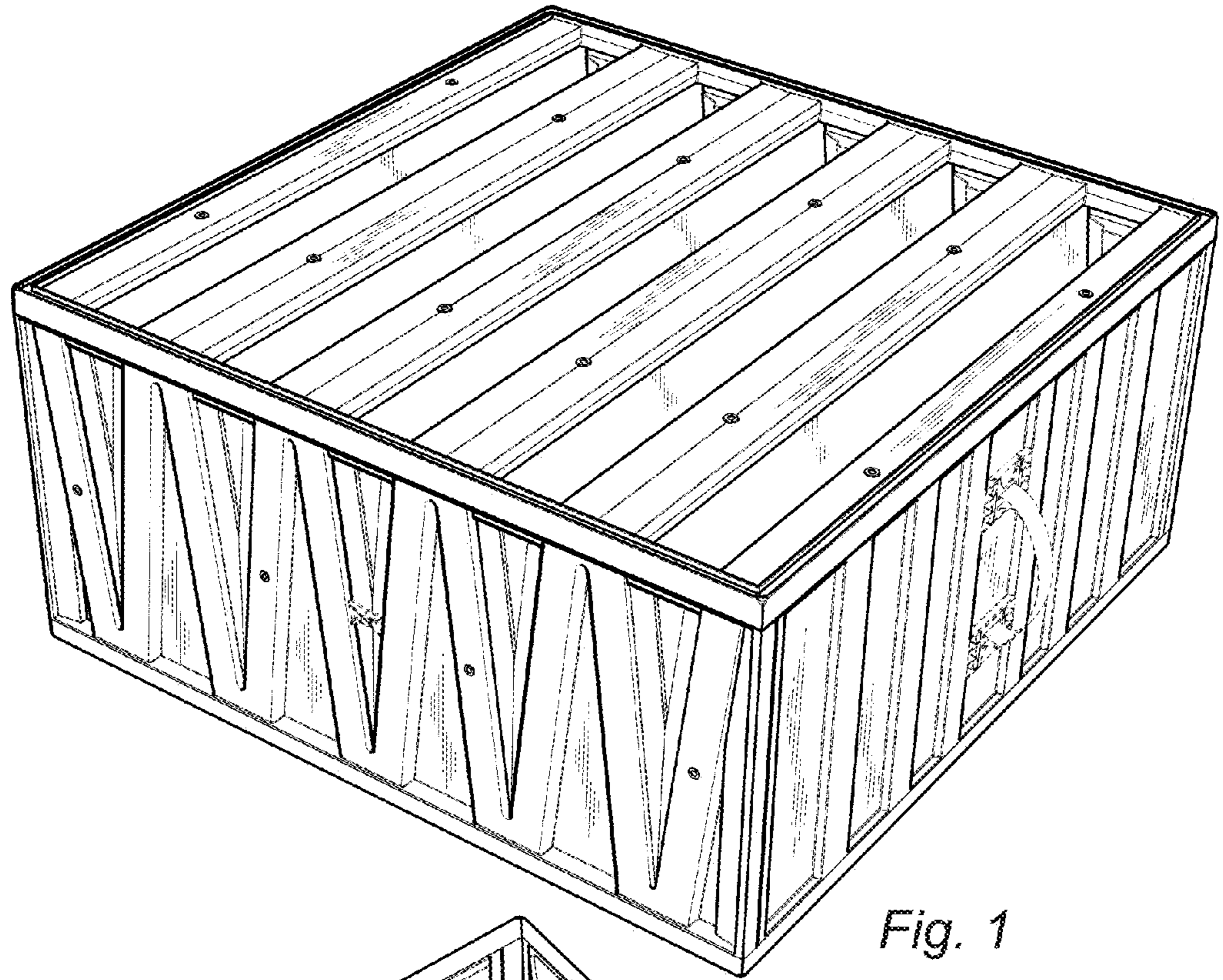
The ornamental design for an air filter, as shown and described.

DESCRIPTION

FIG. 1 is a first perspective view of the air filter embodying our new design;
 FIG. 2 is a second perspective view the air filter of FIG. 1;
 FIG. 3 is a top view the air filter of FIG. 1;
 FIG. 4 is a bottom view the air filter of FIG. 1;
 FIG. 5 is a first side view the air filter of FIG. 1;
 FIG. 6 is a second side view the air filter of FIG. 1; and,
 FIG. 7 is a third side view the air filter of FIG. 1.
 Although not shown, a fourth side view of the air filter of FIG. 1 is identical to the third side view shown in FIG. 7 and corresponds to an opposite side of the air filter in FIG. 7. In the drawings, the broken lines show portions of the air filter that form no part of the claimed design.

1 Claim, 5 Drawing Sheets





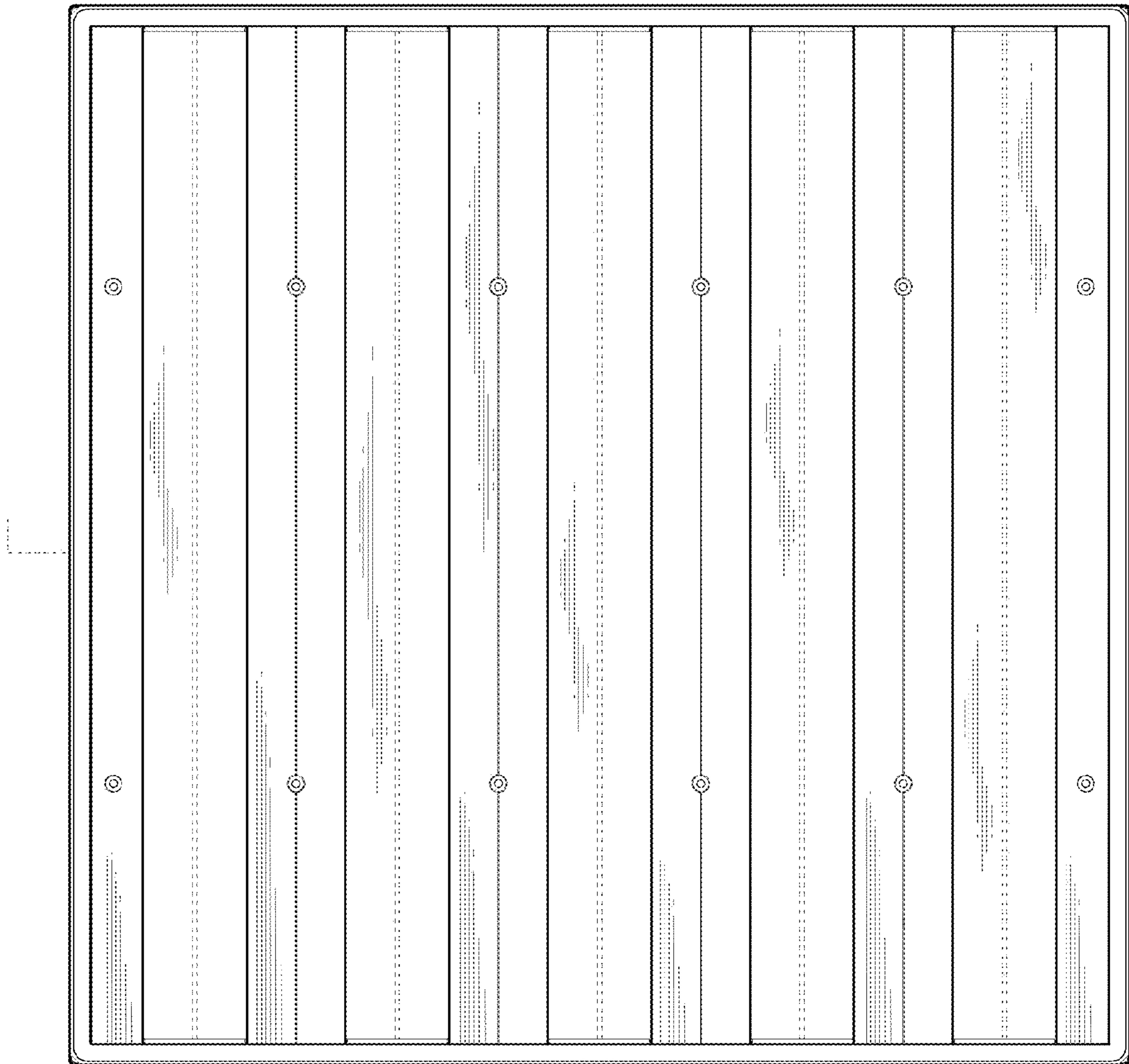


Fig. 3

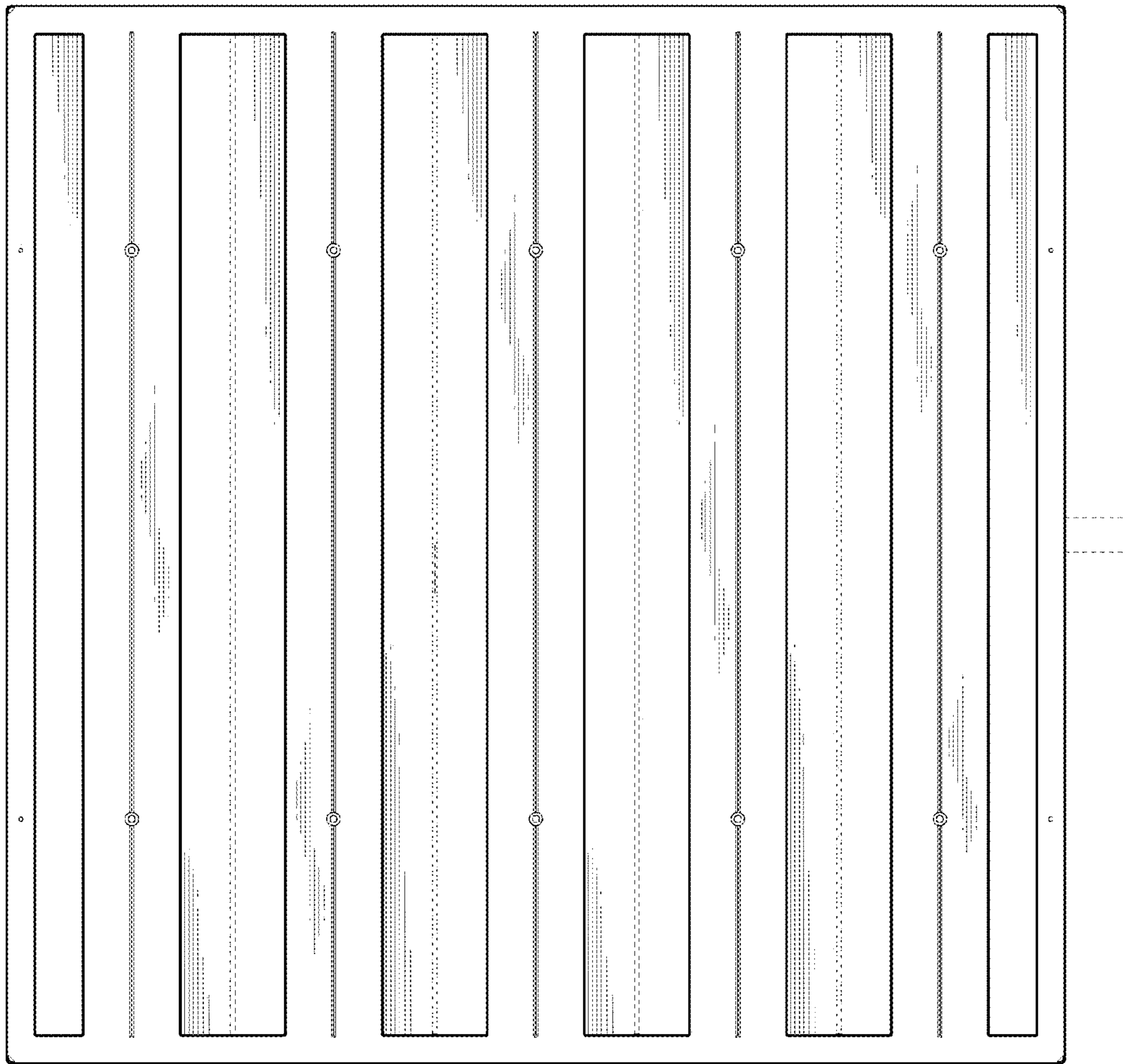


Fig. 4

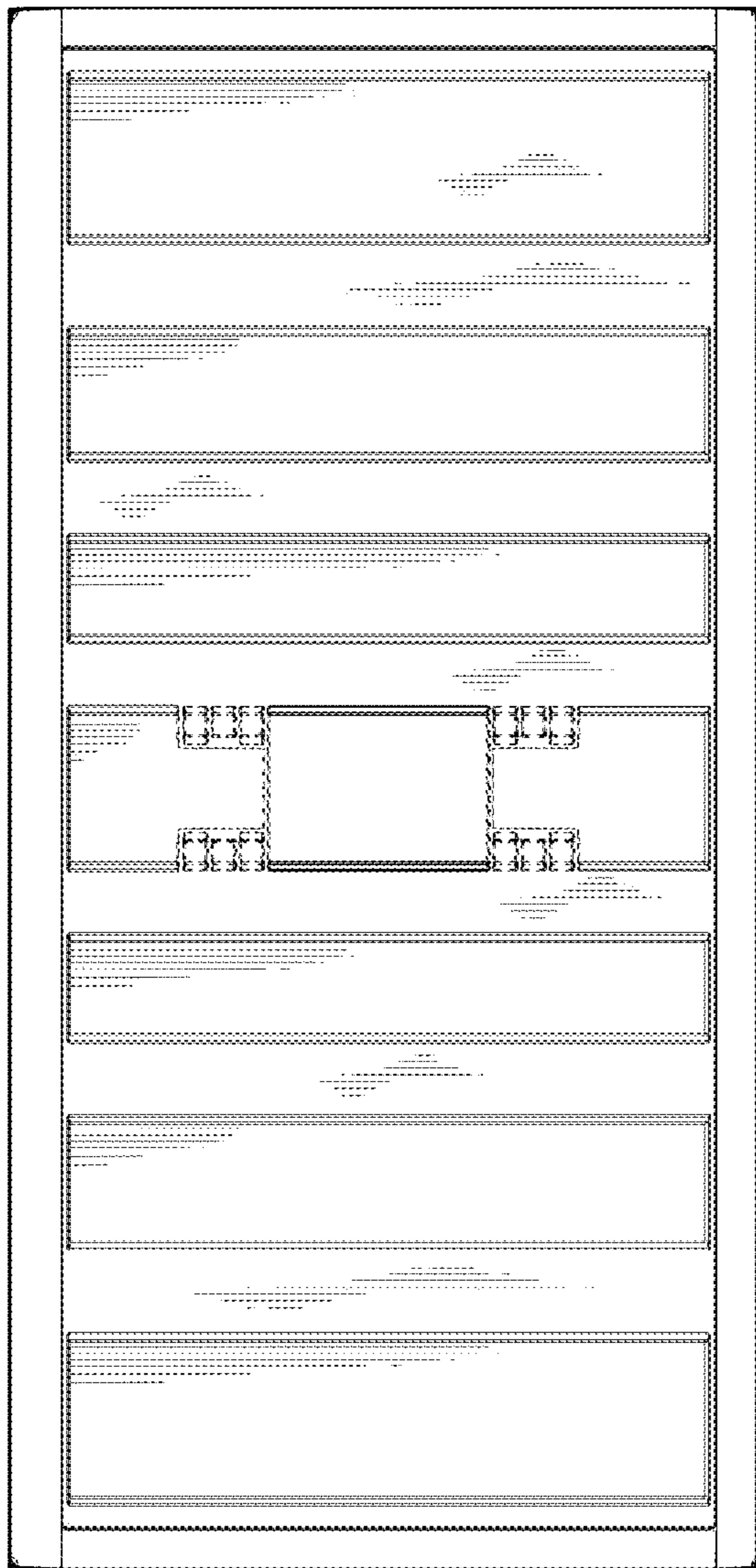


Fig. 5

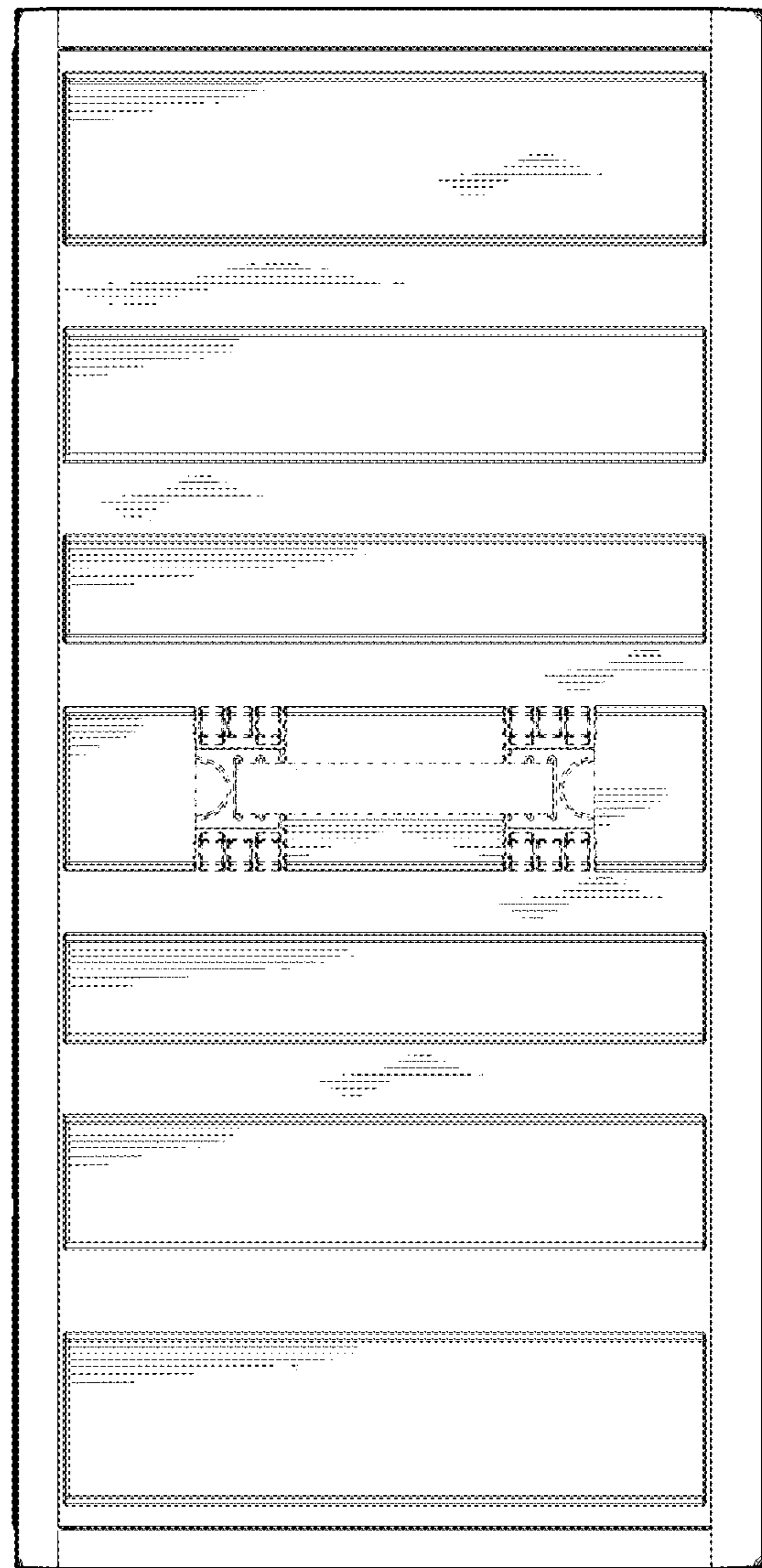


Fig. 6

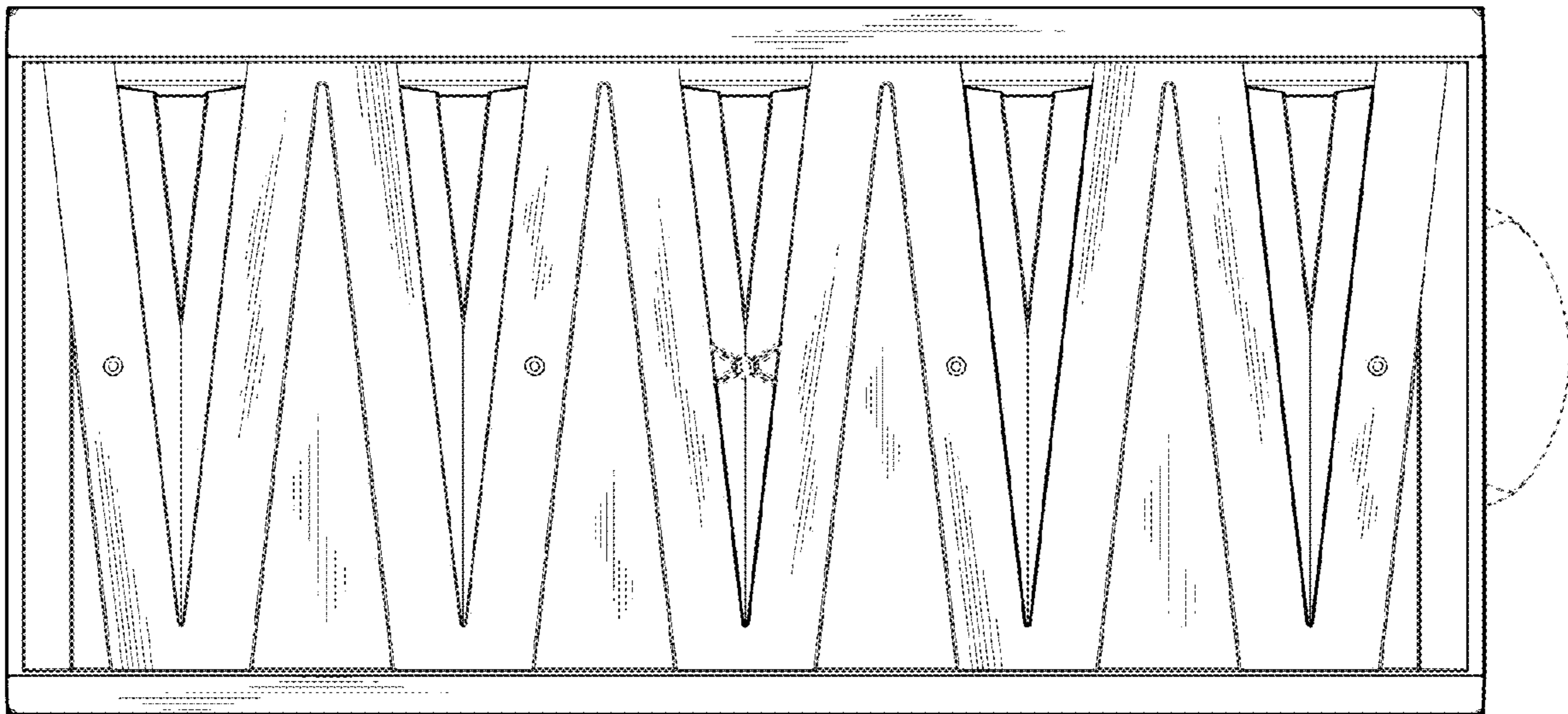


Fig. 7