



US00D893692S

(12) **United States Design Patent**
Jakpor

(10) **Patent No.:** **US D893,692 S**

(45) **Date of Patent:** **** Aug. 18, 2020**

(54) **VACUUM CASING**

(71) Applicant: **Jibiana Zoe Jakpor**, Riverside, CA
(US)

(72) Inventor: **Jibiana Zoe Jakpor**, Riverside, CA
(US)

(**) Term: **15 Years**

(21) Appl. No.: **29/685,707**

(22) Filed: **Mar. 29, 2019**

(51) **LOC (12) Cl.** **23-04**

(52) **U.S. Cl.**
USPC **D23/355**

(58) **Field of Classification Search**
USPC D23/355-366, 352, 369, 332, 333, 335,
D23/336, 342, 351; 422/120, 122;
55/356, 473, 504; 96/97; D14/188, 170,
D14/171, 172; 261/DIG. 17, DIG. 65,
261/DIG. 88, DIG. 31; D18/34.6
CPC .. A61L 9/16; A61L 9/22; B01D 47/00; B01D
47/027; B01D 2221/02; B01D 2259/4508;
B03C 3/155; B03C 3/368; F24F 3/16;
F24F 13/20; F24F 13/28; F24F
2001/0096

See application file for complete search history.

(56) **References Cited**

U.S. PATENT DOCUMENTS

1,549,417 A * 8/1925 Hendrich A47J 41/022
215/12.1
D621,019 S * 8/2010 Kim D23/356

D639,413 S * 6/2011 Wu D23/364
D674,067 S * 1/2013 Ching D23/342
D847,313 S * 4/2019 Shen D23/333
D847,314 S * 4/2019 Chiasson D23/351
D884,141 S * 5/2020 Cannon D23/366
D886,261 S * 6/2020 Shin D23/351
D886,264 S * 6/2020 Urano D23/351
D886,270 S * 6/2020 Walton D23/359
D886,274 S * 6/2020 Hernandez D23/366

* cited by examiner

Primary Examiner — David G Muller

(57) **CLAIM**

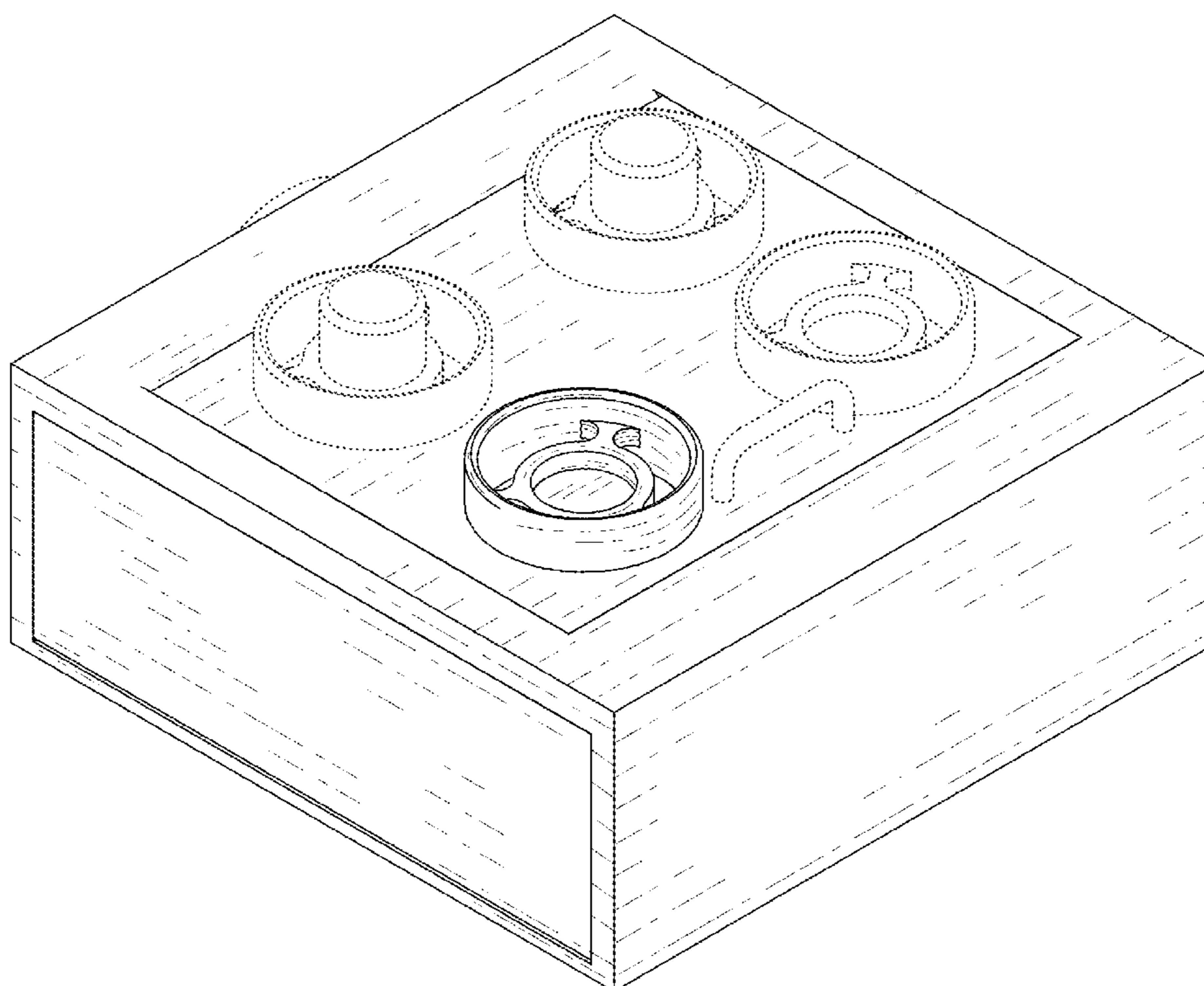
The ornamental design for a vacuum casing, as shown and described.

DESCRIPTION

FIG. 1 is a perspective view of a vacuum casing showing my new design in a closed position;
FIG. 2 is a perspective view of a vacuum casing showing my new design in an open position;
FIG. 3 is a front elevational view thereof;
FIG. 4 is a rear elevational view thereof;
FIG. 5 is a right side elevational view thereof;
FIG. 6 is a left side elevational view thereof;
FIG. 7 is a top plan view thereof; and,
FIG. 8 is a bottom plan view thereof.

The broken line showing of a handle and mounting plate, alongside multiple motors, fans, and apertures thereof is included for the purpose of illustrating environmental structure and forms no part of the claimed design. The broken line showing of an interior is included for the purpose of illustrating an arbitrary wall thickness of the vacuum casing.

1 Claim, 8 Drawing Sheets



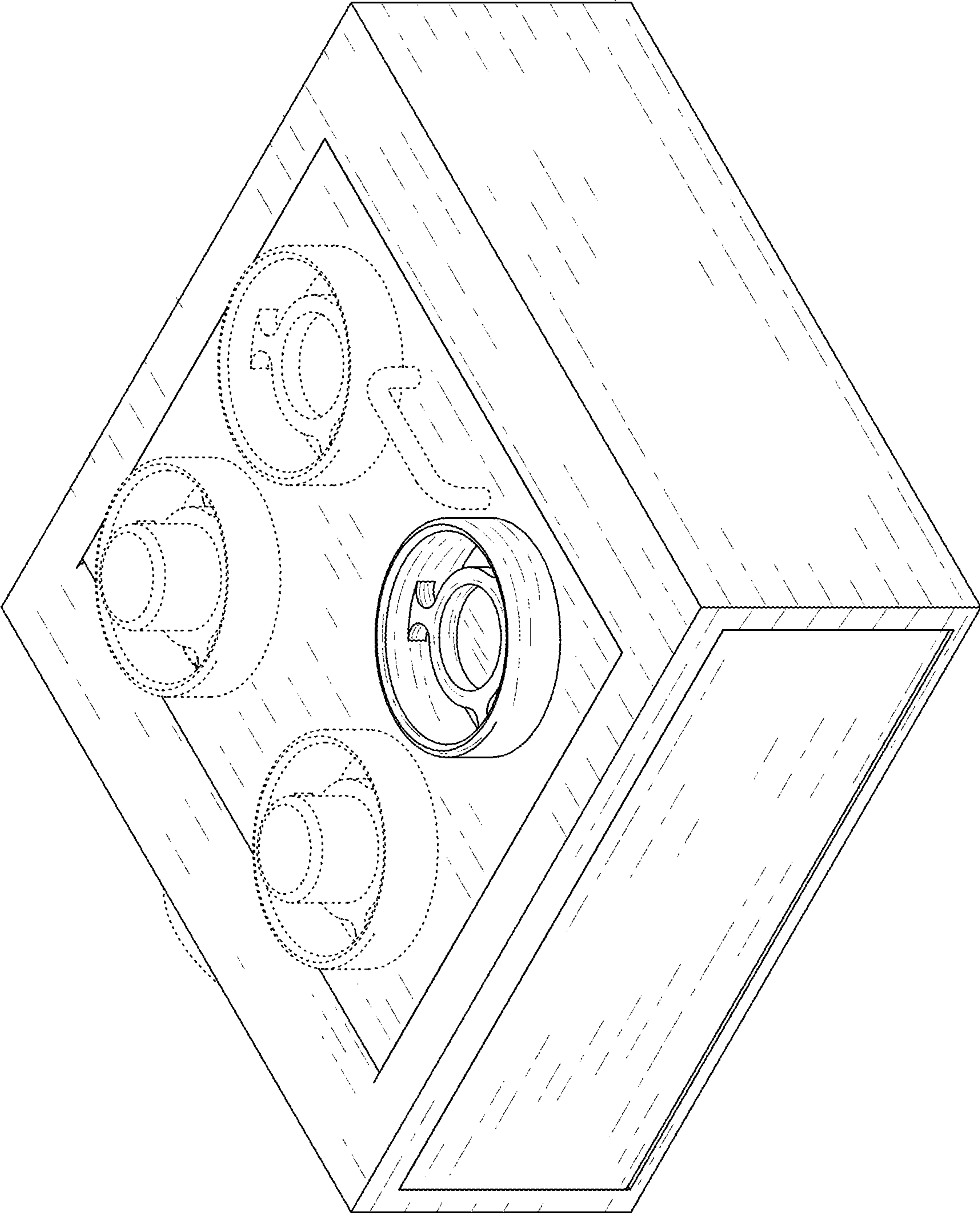


FIG. 1

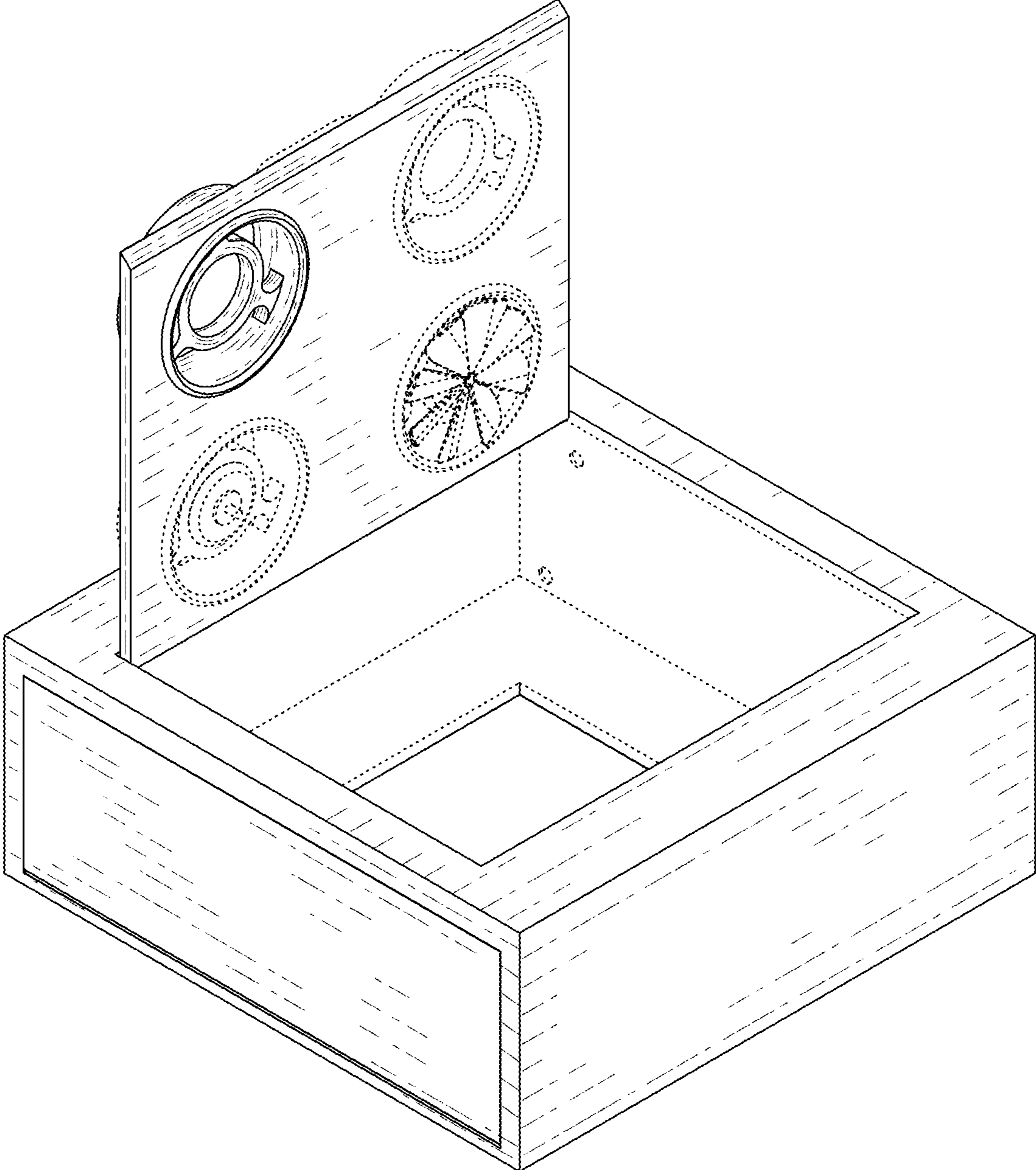


FIG. 2

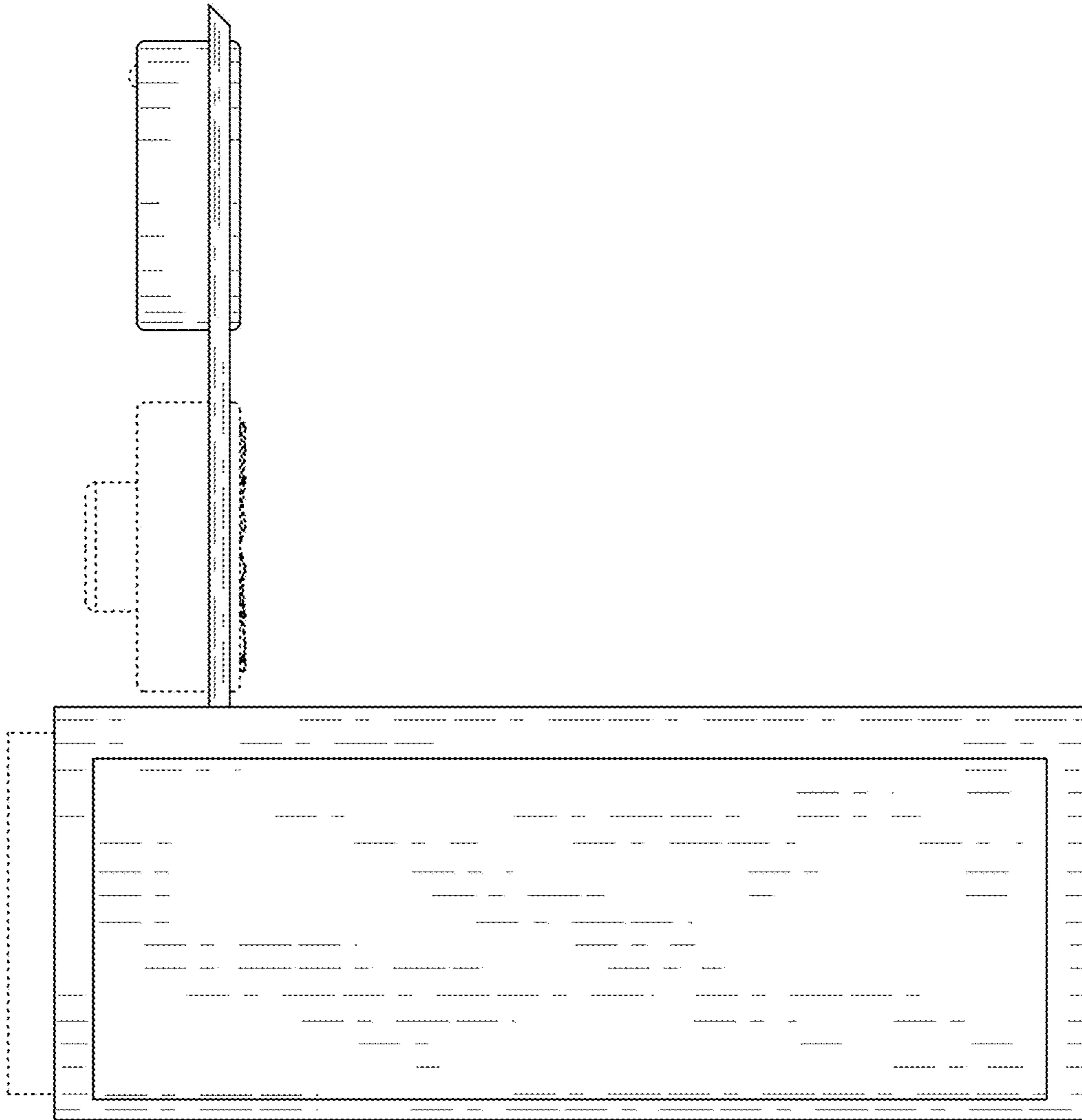


FIG. 3

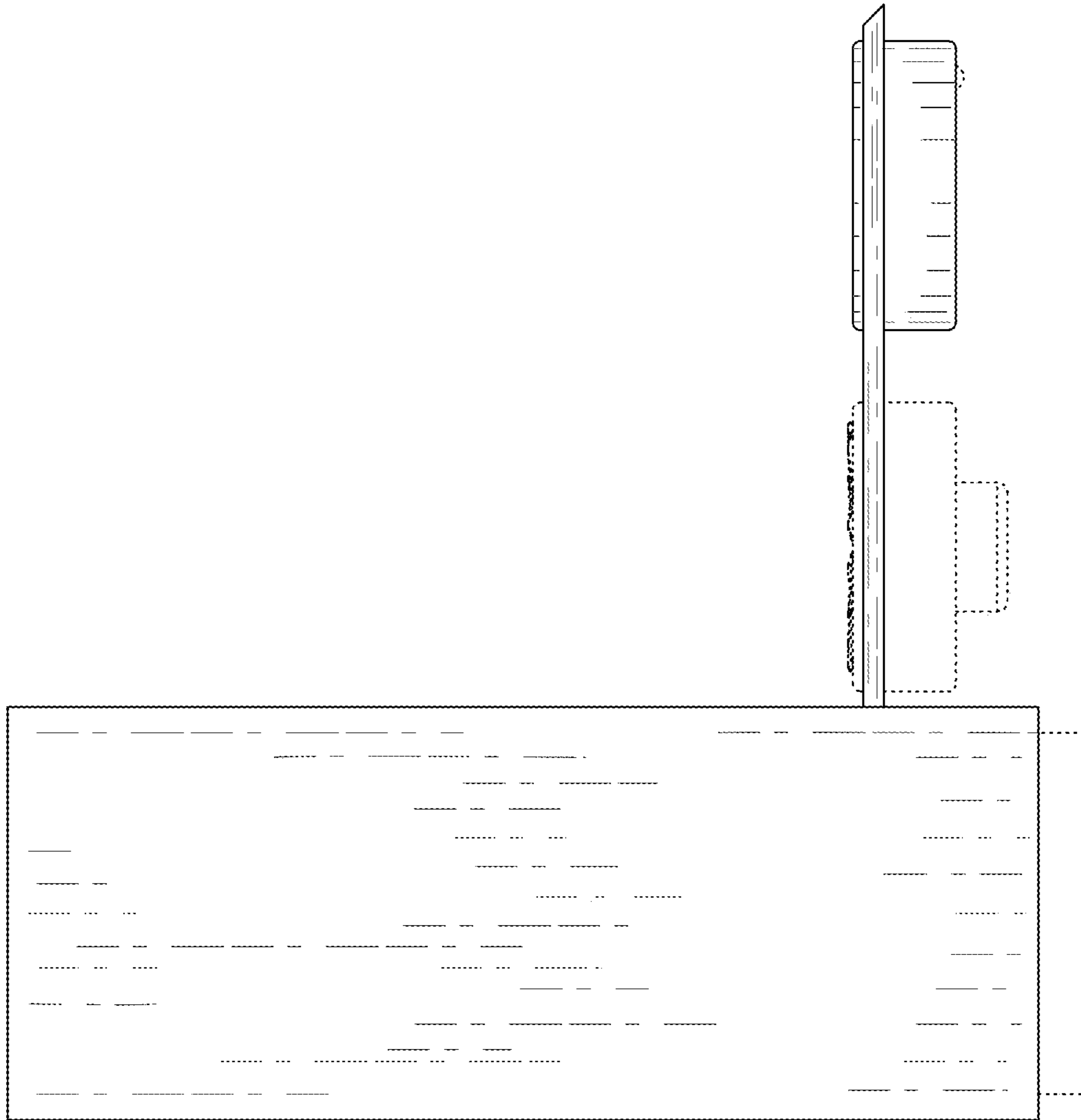


FIG. 4

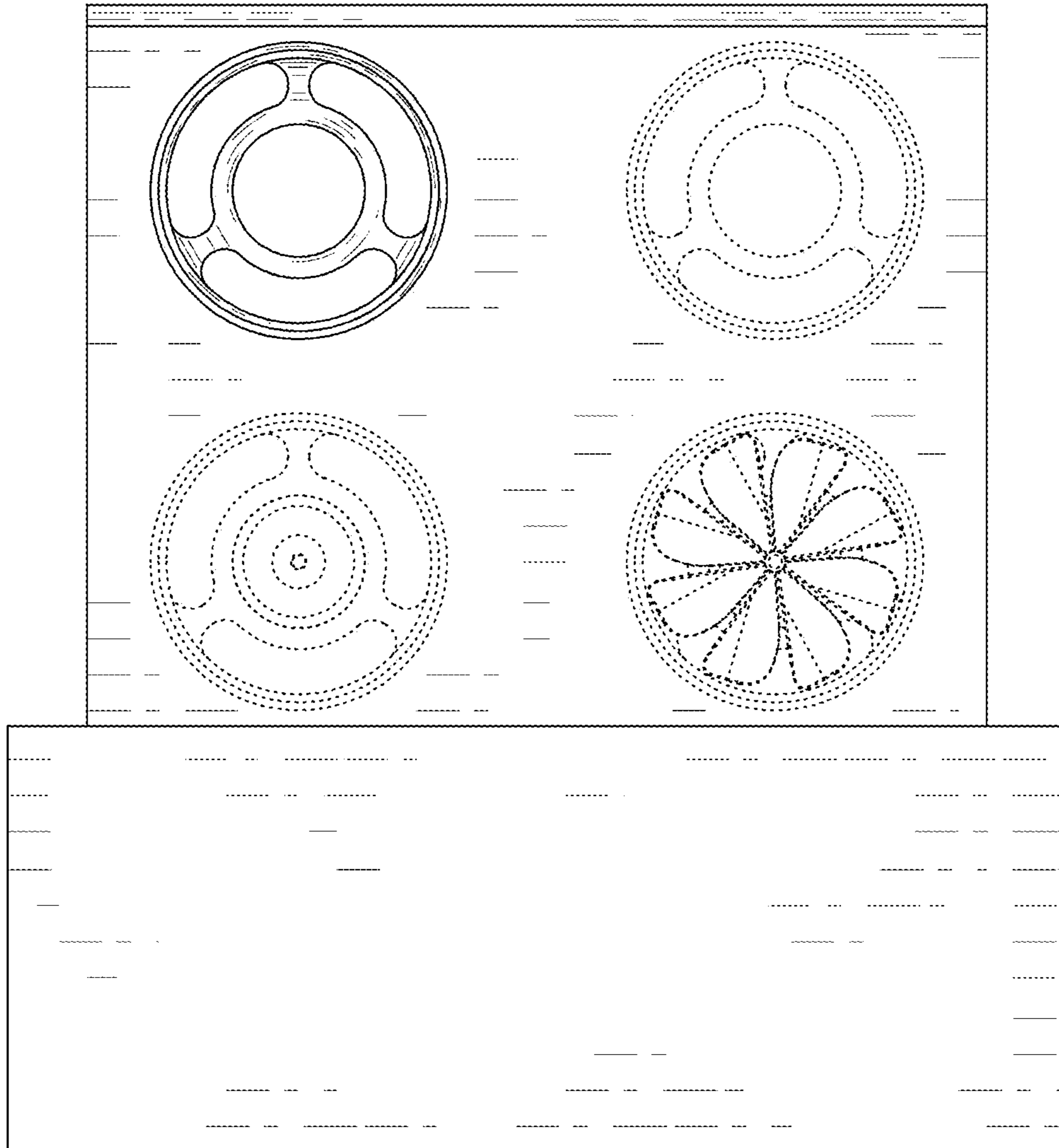


FIG. 5

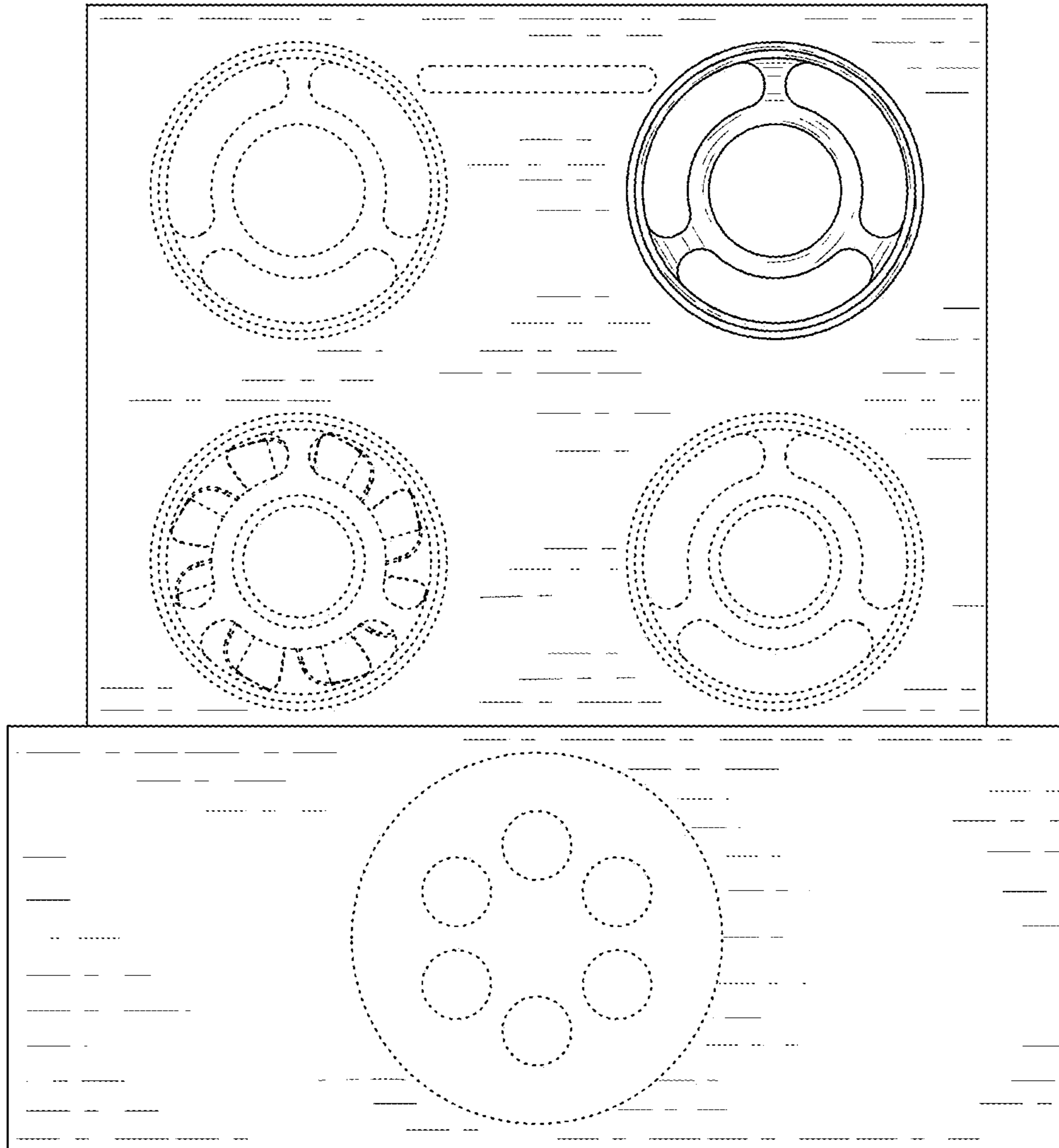


FIG. 6

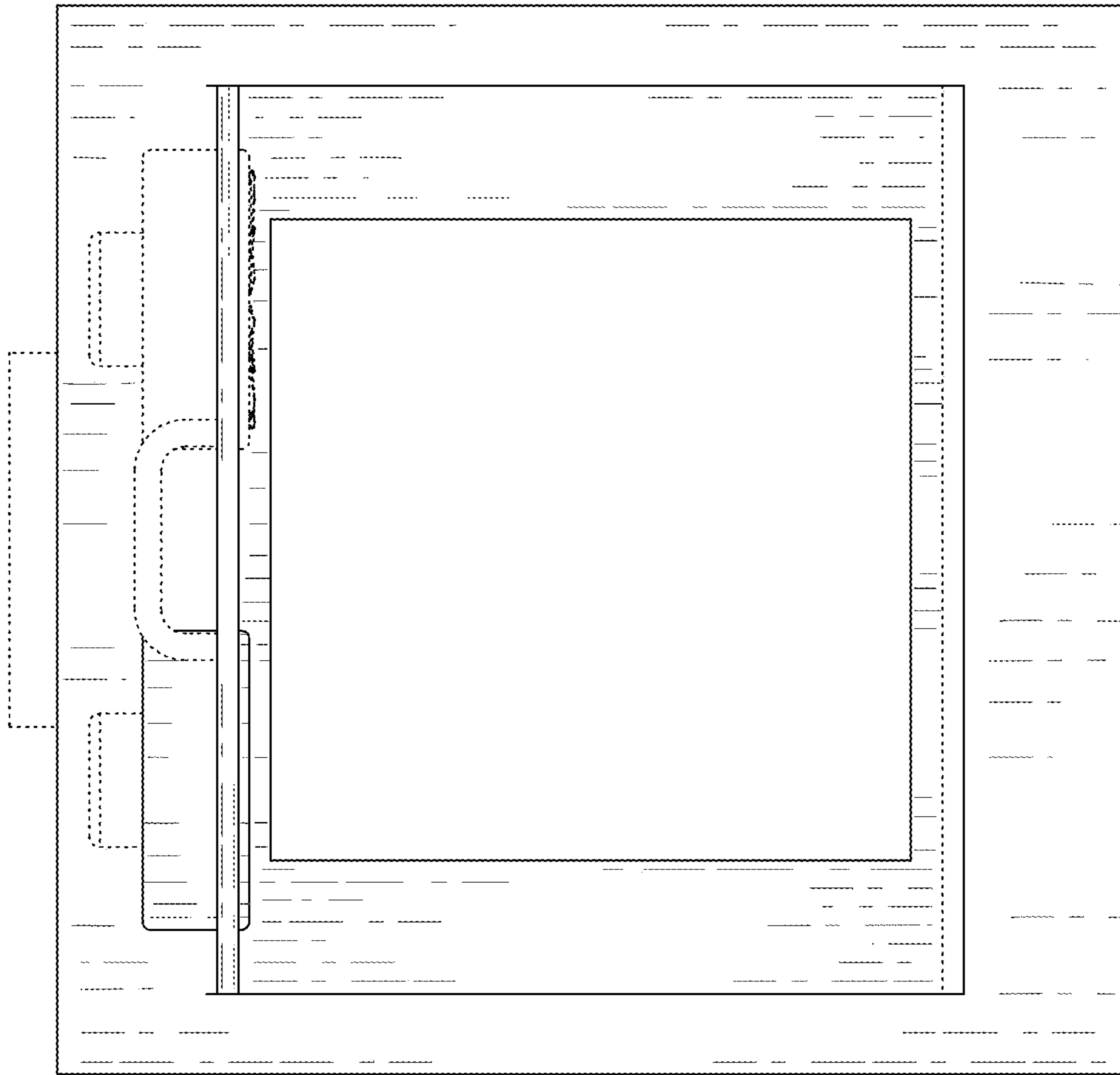


FIG. 7

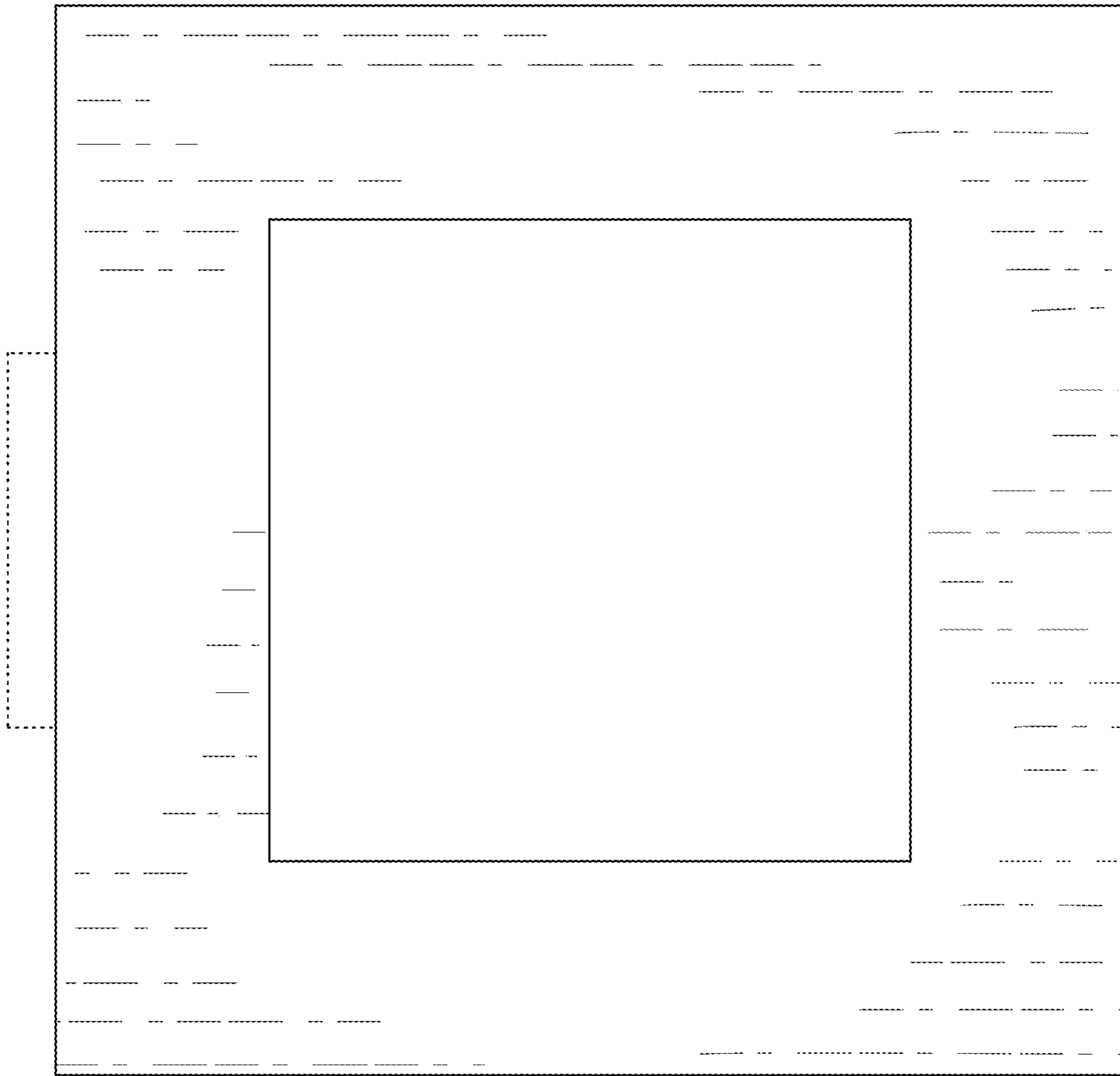


FIG. 8